

US00D838139S

(12) **United States Design Patent**  
**Cudworth**

(10) **Patent No.:** **US D838,139 S**  
(45) **Date of Patent:** **\*\* Jan. 15, 2019**

(54) **BOTTLE**

(71) Applicant: **Jackel International, Ltd.**,  
Cramlington, Northumberland (GB)  
(72) Inventor: **Nicholas Cudworth**, Cramlington (GB)  
(73) Assignee: **Jackel International Limited**,  
Cramlington Northumberland (GB)

(\*\*) Term: **15 Years**

(21) Appl. No.: **29/587,414**

(22) Filed: **Dec. 13, 2016**

(30) **Foreign Application Priority Data**

Jun. 14, 2016 (EM) ..... 3190065-0006  
Jun. 14, 2016 (EM) ..... 3190065-0007  
Jun. 14, 2016 (EM) ..... 3190065-0009  
Jun. 14, 2016 (EM) ..... 3190065-0010

(Continued)

(51) **LOC (11) Cl.** ..... **07-01**

(52) **U.S. Cl.**  
USPC ..... **D7/510; D7/511; D7/529; D7/532;**  
**D24/197**

(58) **Field of Classification Search**  
USPC ..... D7/507, 509, 505, 510, 511, 512, 514,  
D7/151, 518, 521, 300, 300.1, 529, 532,  
D7/533, 534, 536; D21/405, 406, 411;  
220/592.16, 592.17; D24/197  
CPC ..... B65D 1/36; B65D 25/10; B65D 47/066;  
A61J 9/00; A47J 43/27; A47G 19/22;  
A47G 19/2222

See application file for complete search history.

(56) **References Cited**

**U.S. PATENT DOCUMENTS**

2,608,841 A \* 9/1952 Rice ..... A47G 19/2272  
215/11.5

4,613,050 A 9/1986 Atkin  
(Continued)

**FOREIGN PATENT DOCUMENTS**

EP 2808006 A1 12/2014  
GB 2490735 A 11/2012

(Continued)

**OTHER PUBLICATIONS**

www.tommeetippee.co.uk/product/ultra-feeding-bottle, last accessed  
on May 17, 2017.

(Continued)

*Primary Examiner* — Marianne N Pandozzi

*Assistant Examiner* — Jae Liang

(74) *Attorney, Agent, or Firm* — Olson & Cepuritis, Ltd.

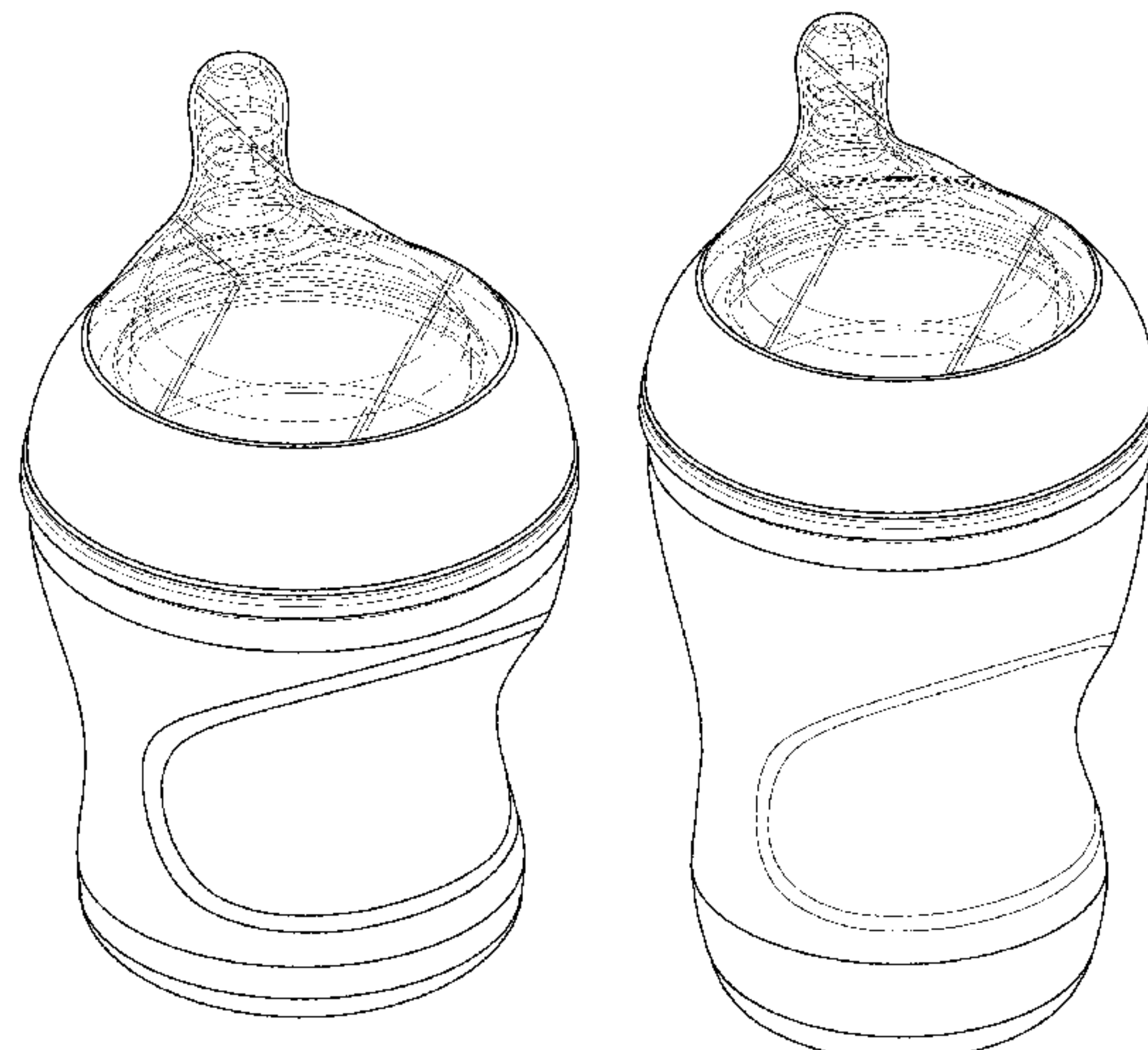
(57) **CLAIM**

The ornamental design for a bottle, as shown and described.

**DESCRIPTION**

FIG. 1 is a front perspective view of a first embodiment of the bottle with a translucent teat;  
FIG. 2 is a front elevational view thereof;  
FIG. 3 is a rear elevational view thereof;  
FIG. 4 is a right side elevational view thereof;  
FIG. 5 is a left side elevational view;  
FIG. 6 is an enlarged top plan view thereof;  
FIG. 7 is an enlarged bottom plan view thereof;  
FIG. 8 is a front perspective view of a second embodiment of the bottle;  
FIG. 9 is a front elevational view thereof;  
FIG. 10 is a rear elevational view thereof;  
FIG. 11 is a right side elevational view thereof;  
FIG. 12 is a left side elevational view;  
FIG. 13 is an enlarged top plan view thereof; and,  
FIG. 14 is an enlarged bottom plan view thereof.  
The broken lines in the drawings depict portions of the transition cup top that form no part of the claimed design.

**1 Claim, 14 Drawing Sheets**



(30) Foreign Application Priority Data

Jun. 14, 2016 (EM) ..... 3190065-0012  
 Jun. 14, 2016 (EM) ..... 3190065-0013

(56) References Cited

U.S. PATENT DOCUMENTS

6,253,935 B1 7/2001 Fletcher  
 D475,890 S \* 6/2003 Mazonkey ..... D13/168  
 D609,527 S \* 2/2010 Roehrig ..... D24/197  
 D620,125 S \* 7/2010 Rees ..... A61J 11/006  
 D24/197  
 D635,684 S \* 4/2011 Shaikh ..... D24/197  
 D642,436 S \* 8/2011 Schofield ..... D24/197  
 D642,865 S \* 8/2011 Schofield ..... D24/197  
 D683,589 S \* 6/2013 Itzek ..... D7/510  
 8,777,028 B2 7/2014 Sakulsacha  
 D713,671 S \* 9/2014 De Leo ..... D7/392.1  
 D727,098 S \* 4/2015 Saxton ..... D7/509  
 D730,692 S \* 6/2015 Davis ..... D7/509  
 D748,434 S \* 2/2016 Thalmann ..... D7/510  
 D749,745 S \* 2/2016 Prentice ..... D24/197  
 D755,569 S \* 5/2016 Parker ..... D7/510  
 D755,572 S \* 5/2016 Parker ..... D7/510  
 D757,494 S \* 5/2016 Parker ..... D7/510

D757,495 S \* 5/2016 Parker ..... D7/507  
 D762,419 S \* 8/2016 Parker ..... D7/510  
 D763,624 S \* 8/2016 Parker ..... D7/510  
 D764,235 S \* 8/2016 Parker ..... D7/510  
 D786,618 S \* 5/2017 Parker ..... D7/507  
 D793,167 S \* 8/2017 Schlegel ..... D7/510  
 D796,262 S \* 9/2017 Parker ..... D7/510  
 2011/0056968 A1\* 3/2011 McNamara ..... A47G 19/2272  
 220/714  
 2012/2305581 12/2012 Dunn  
 2015/0223623 A1\* 8/2015 Davis ..... A47G 19/2272  
 220/714

FOREIGN PATENT DOCUMENTS

NZ 524766 A 10/2004  
 WO 2006103379 A1 10/2006  
 WO 2017037425 A1 3/2017

OTHER PUBLICATIONS

[www.tommeetippee.co.uk/product/transition-sippe-trainer](http://www.tommeetippee.co.uk/product/transition-sippe-trainer), last accessed on May 17, 2017.  
*Luv N' Care, Ltd. v. Jackel International Limited*, No. 10-1891, State of Louisiana, Parish of Ouachita, Fourth District Court.

\* cited by examiner

FIG. 1

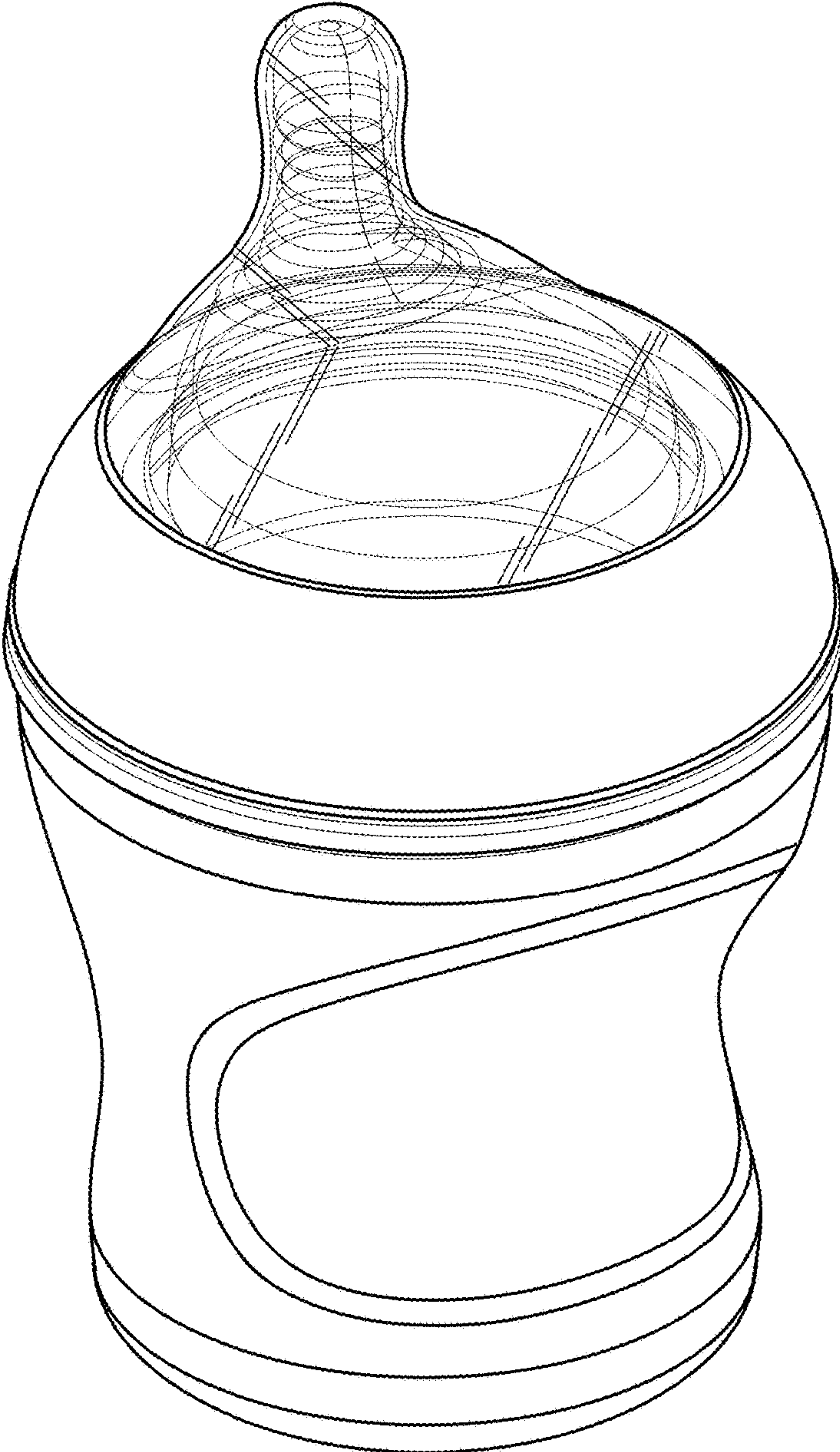
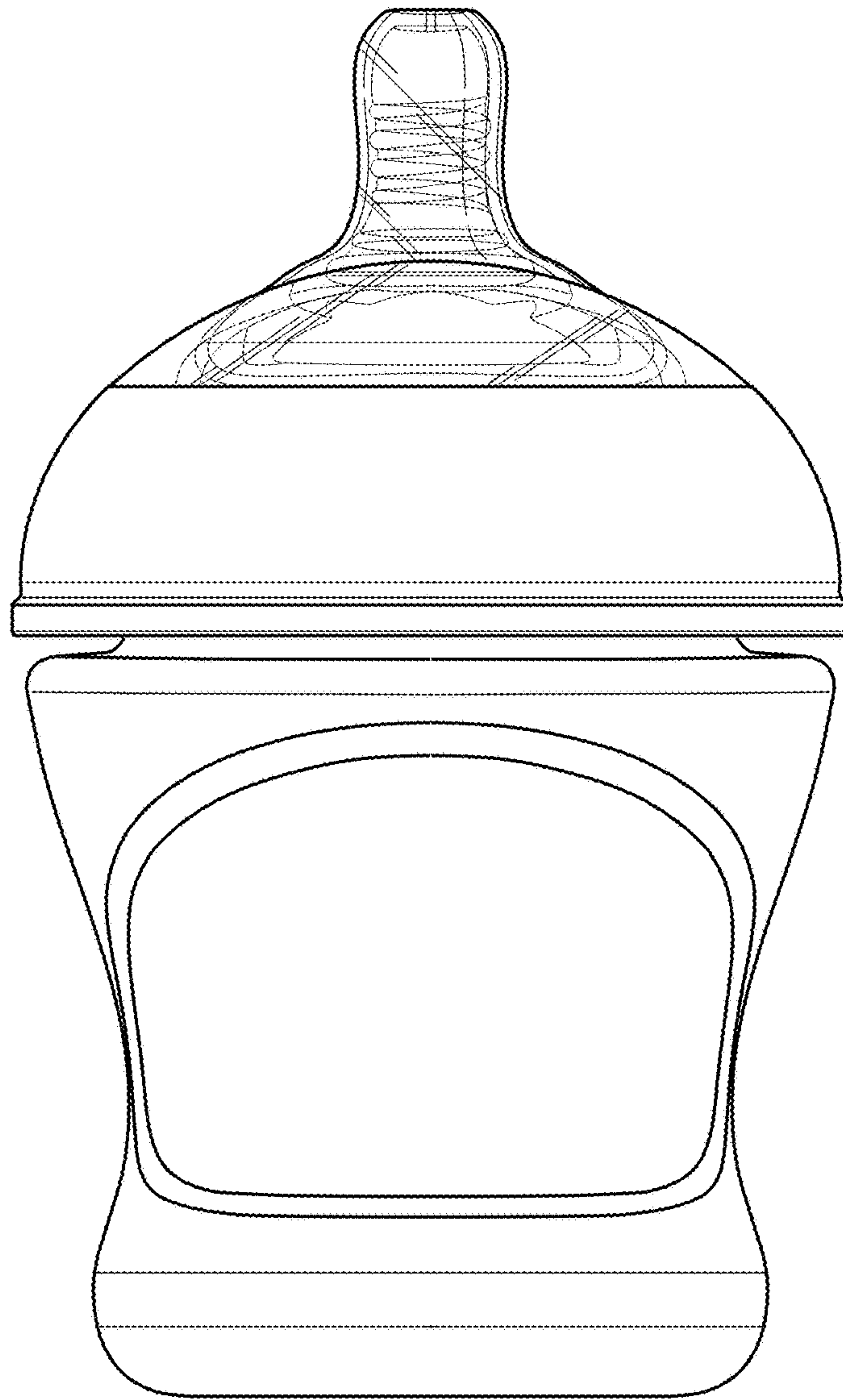


FIG. 2





**FIG. 3**

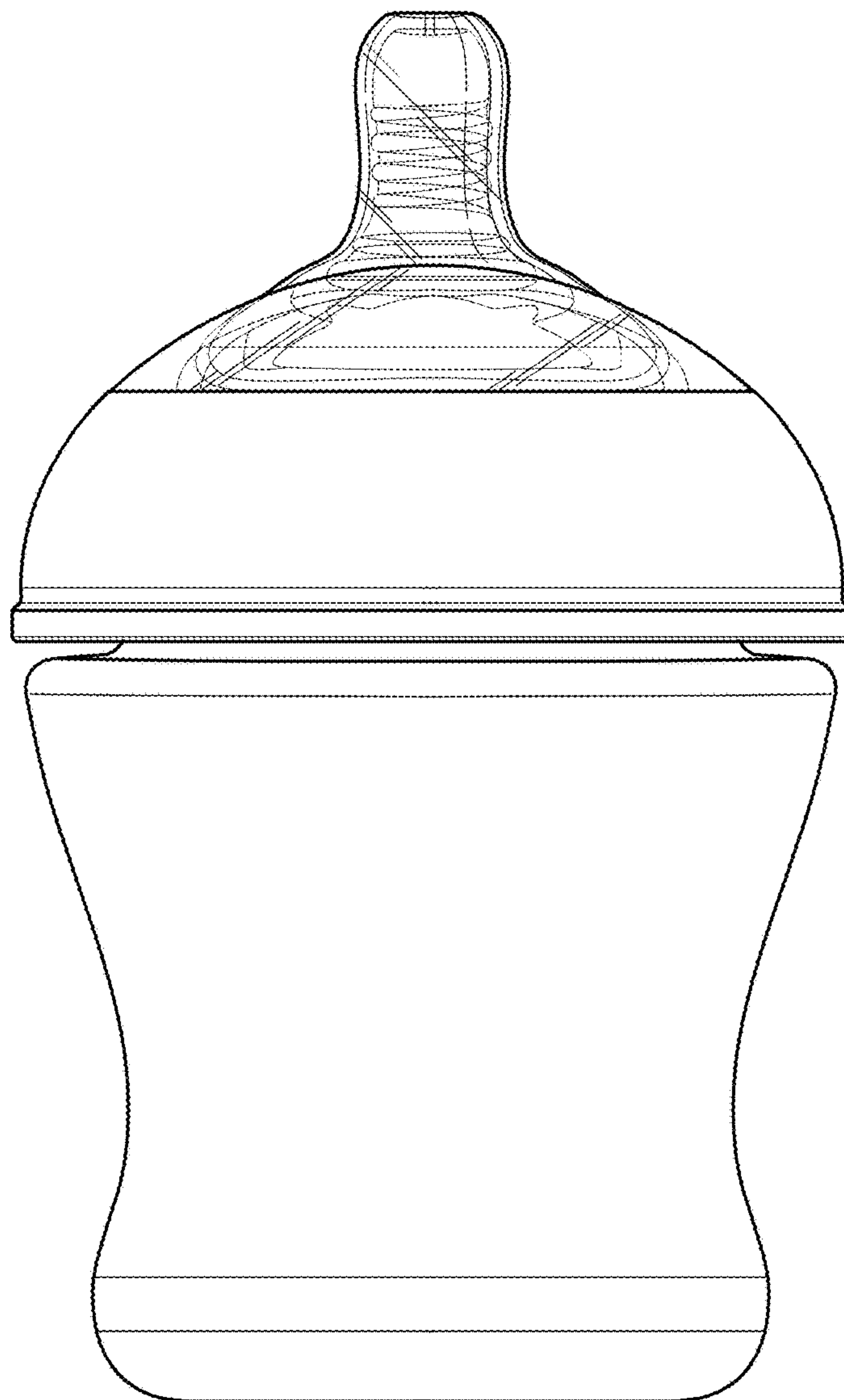


FIG. 4

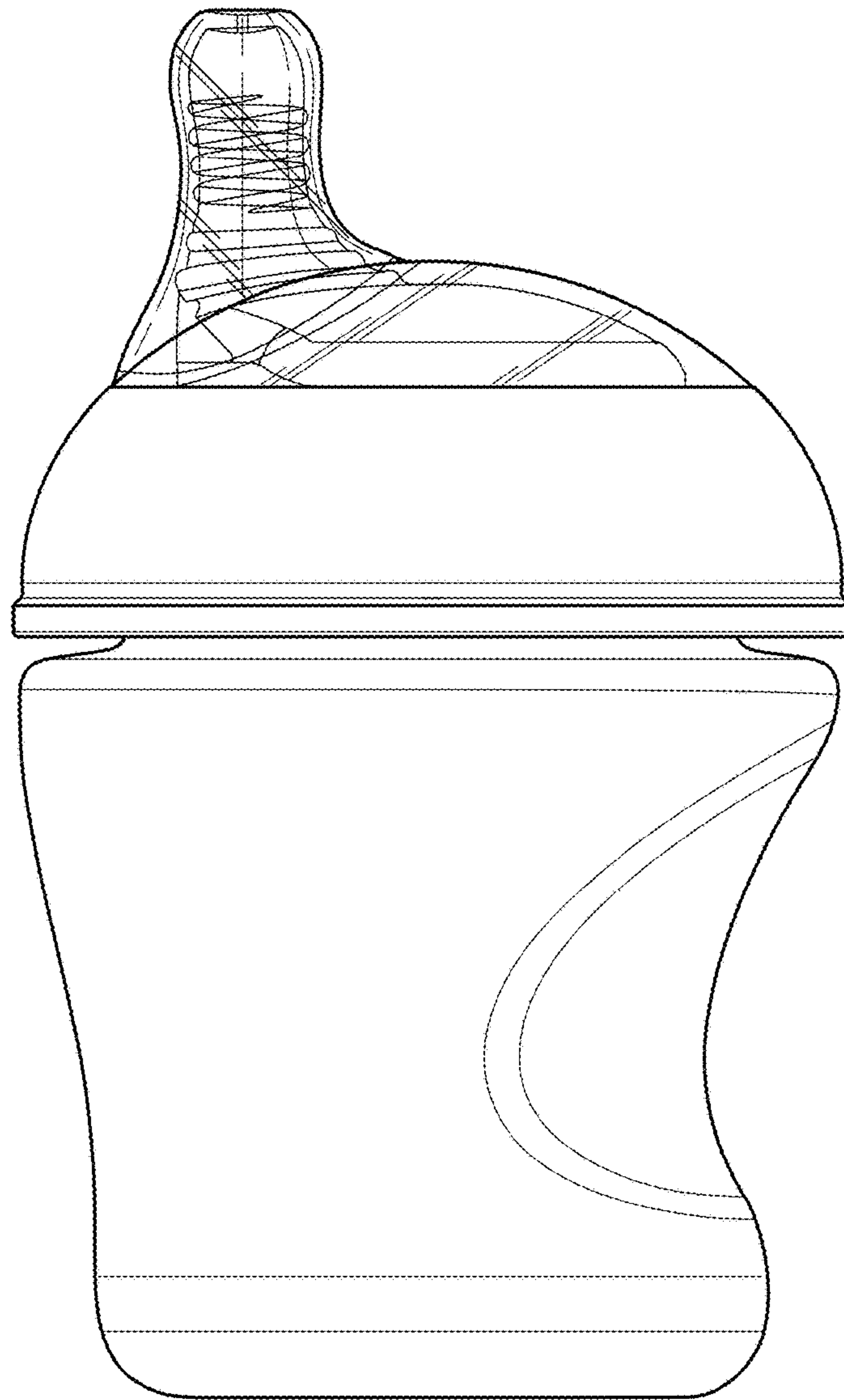


FIG. 5

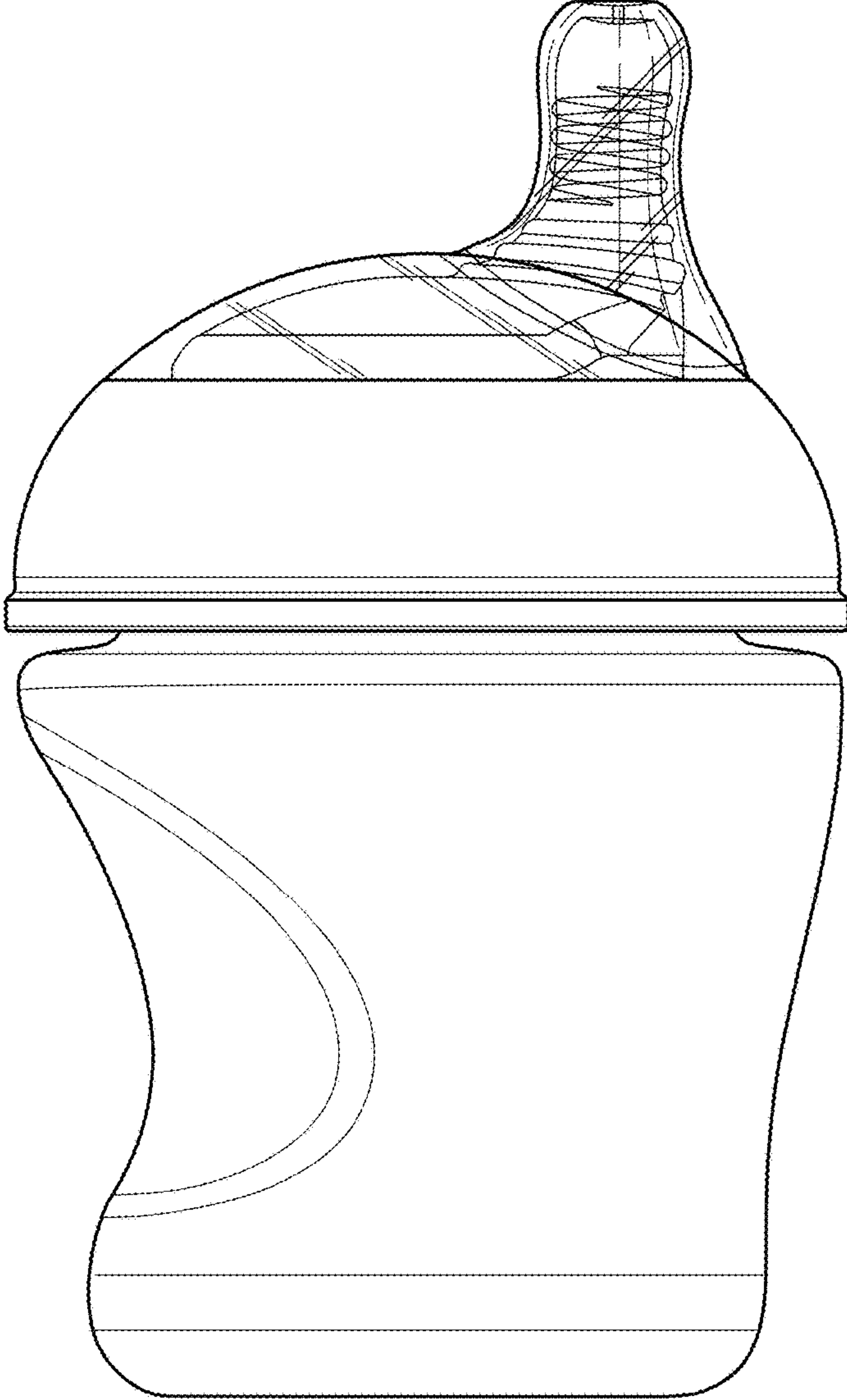
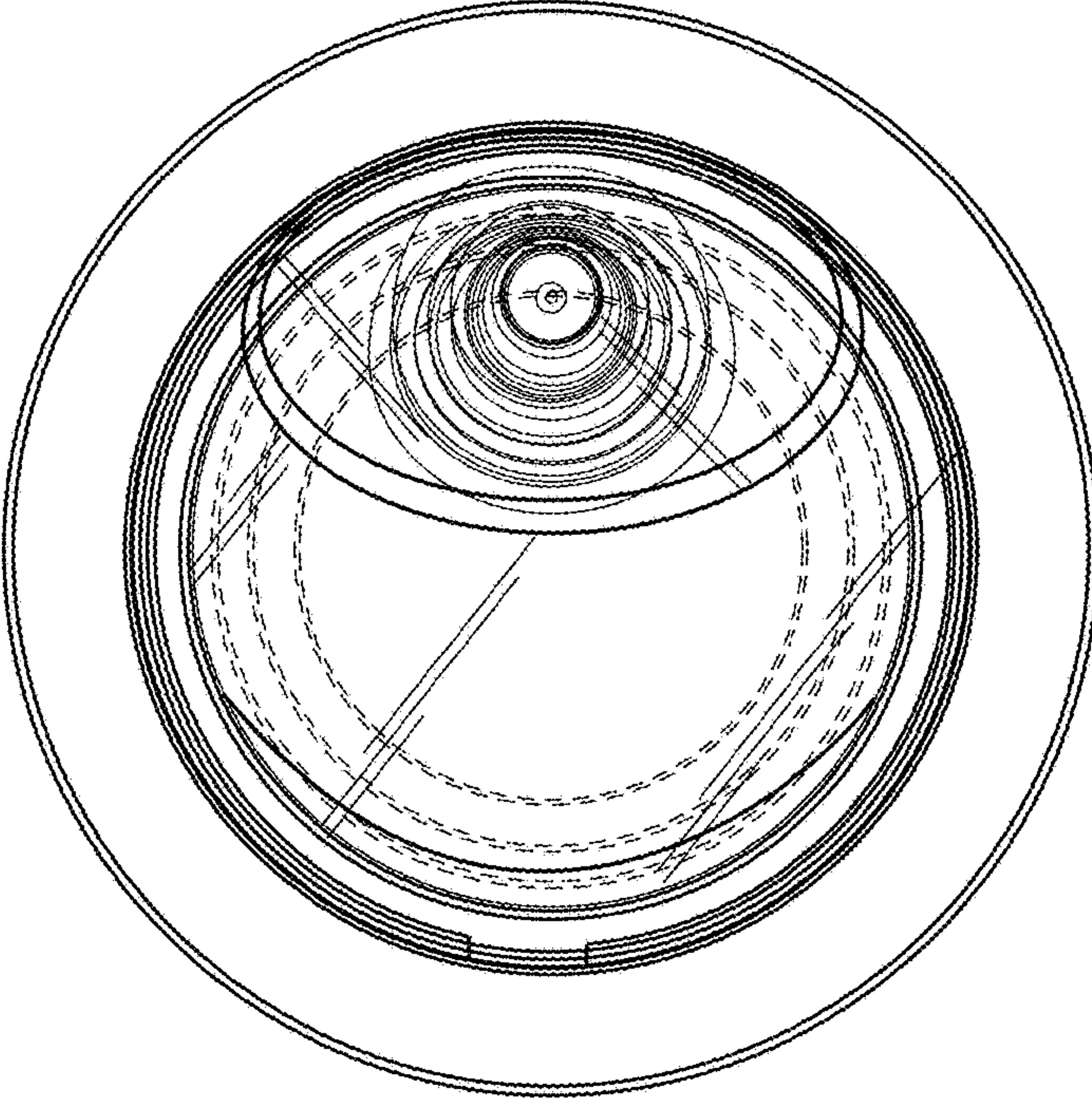
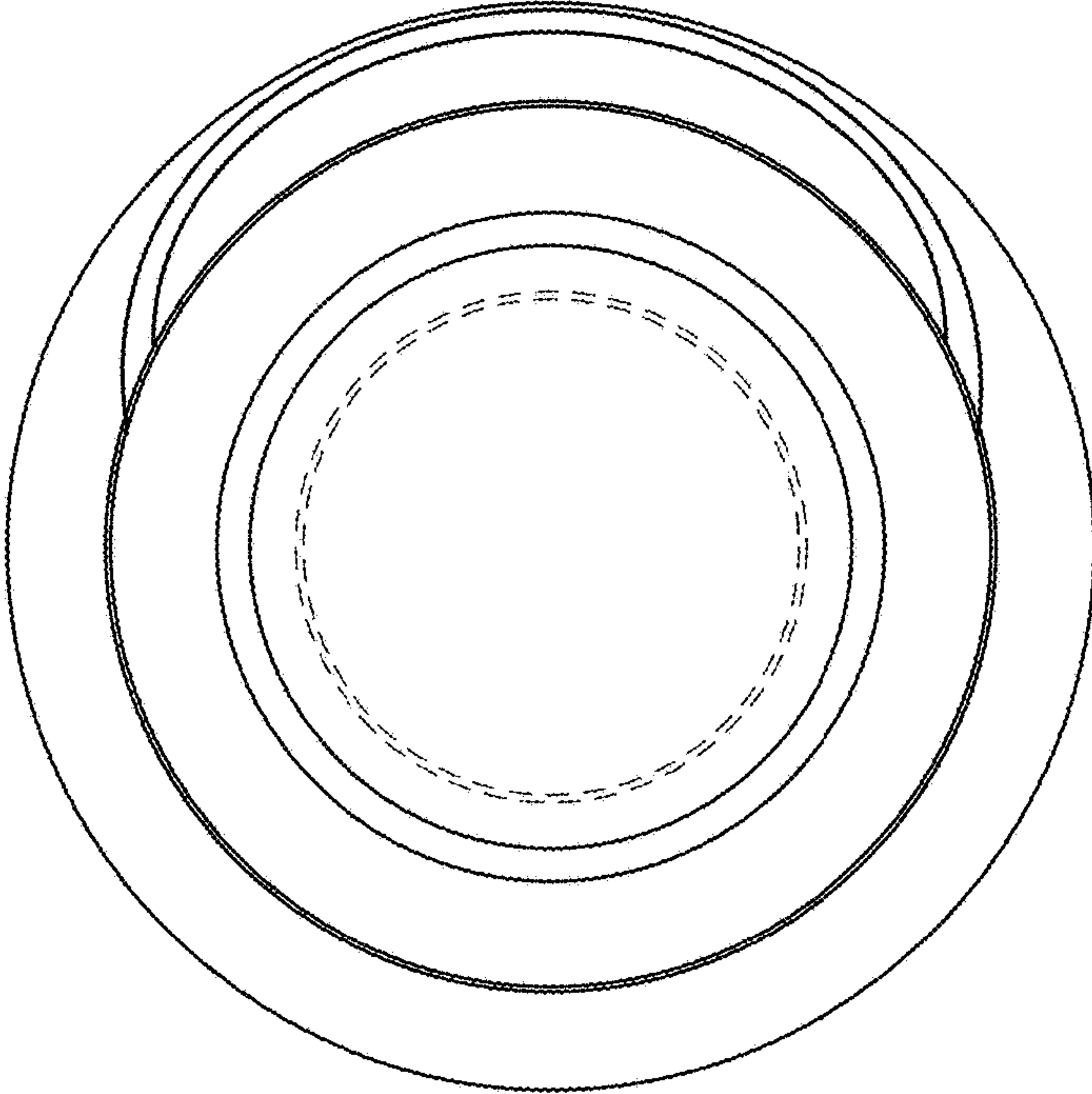


FIG. 6





**FIG. 7**



**FIG. 8**

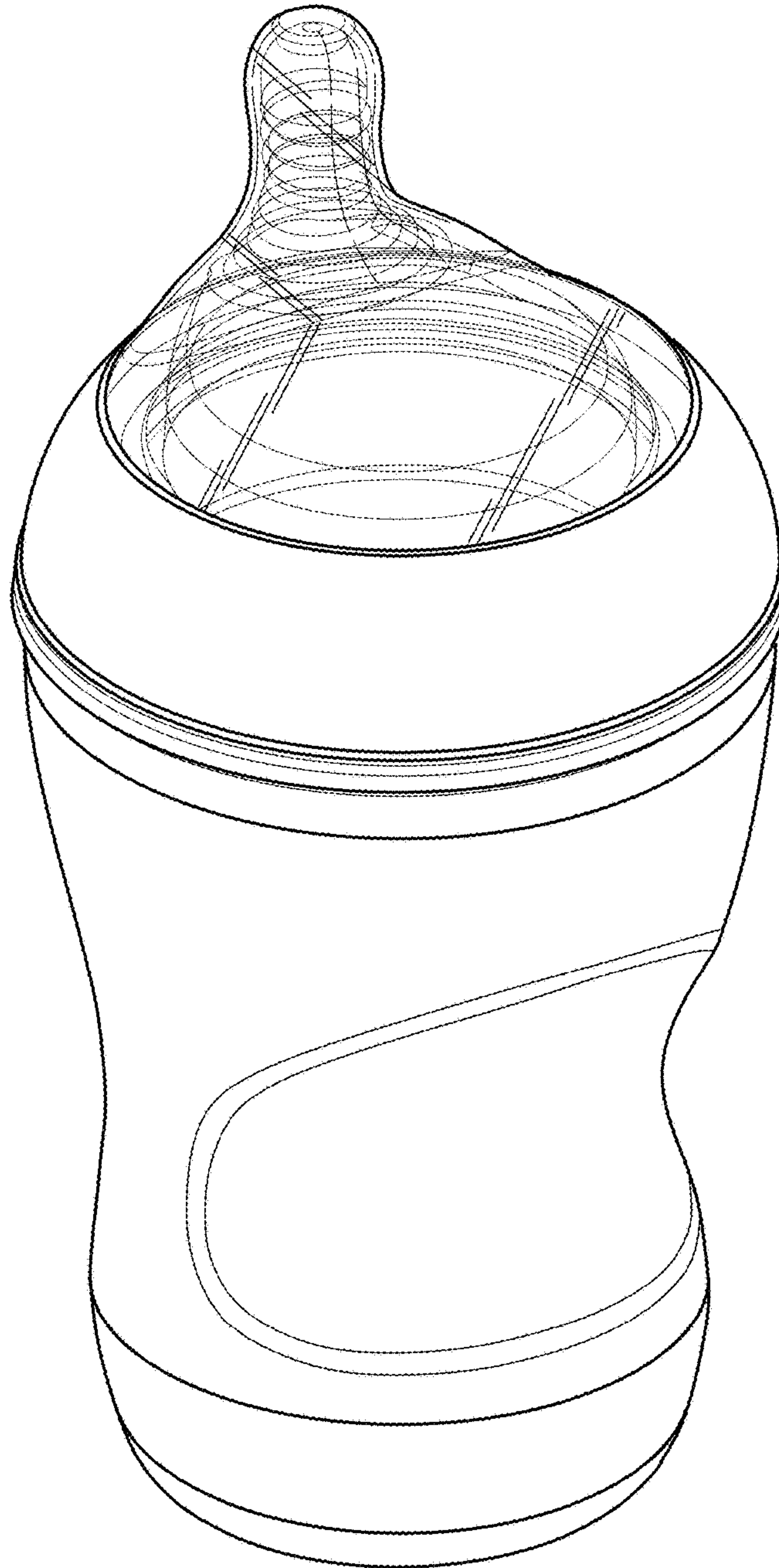
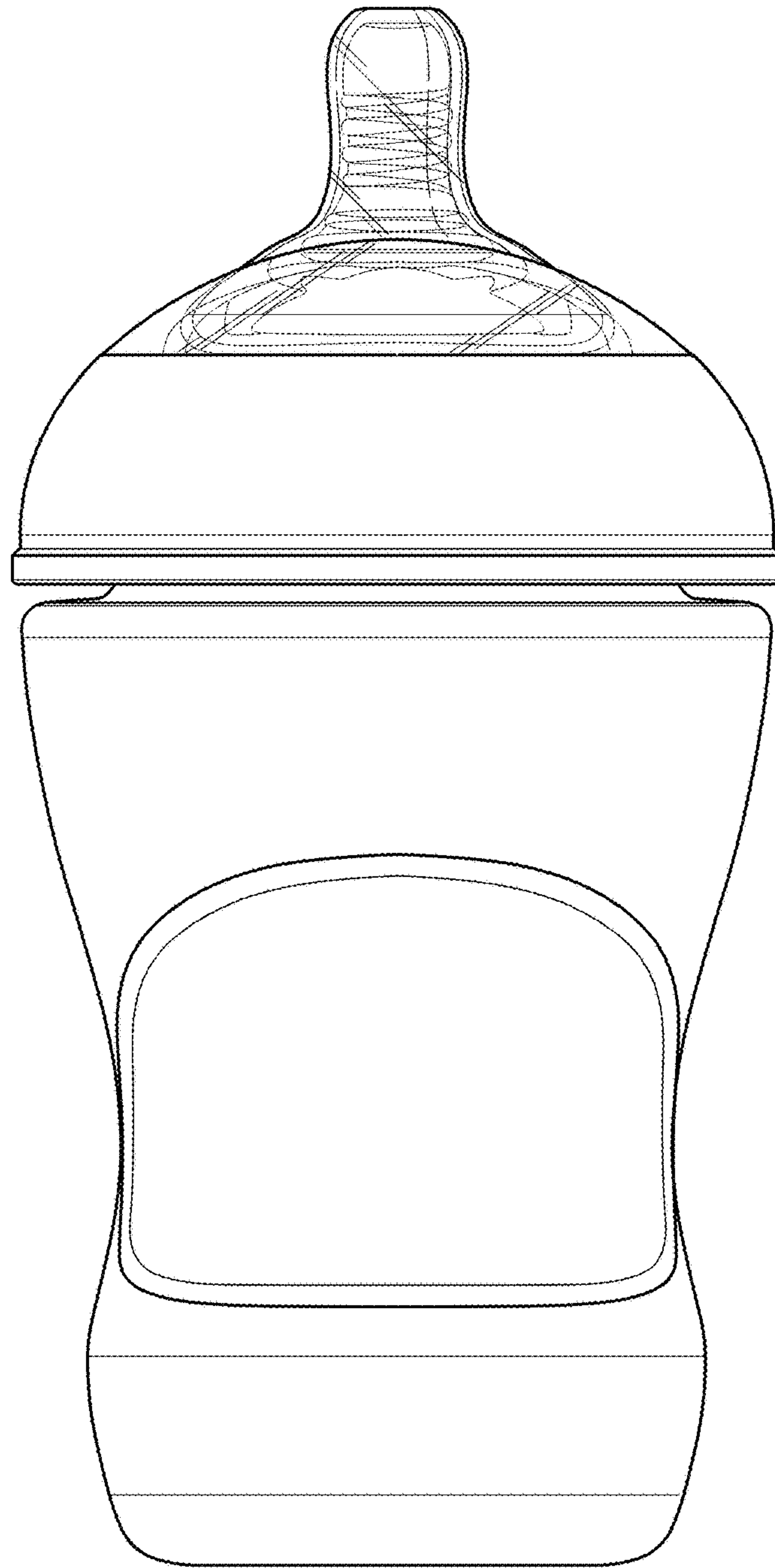


FIG. 9



**FIG. 10**

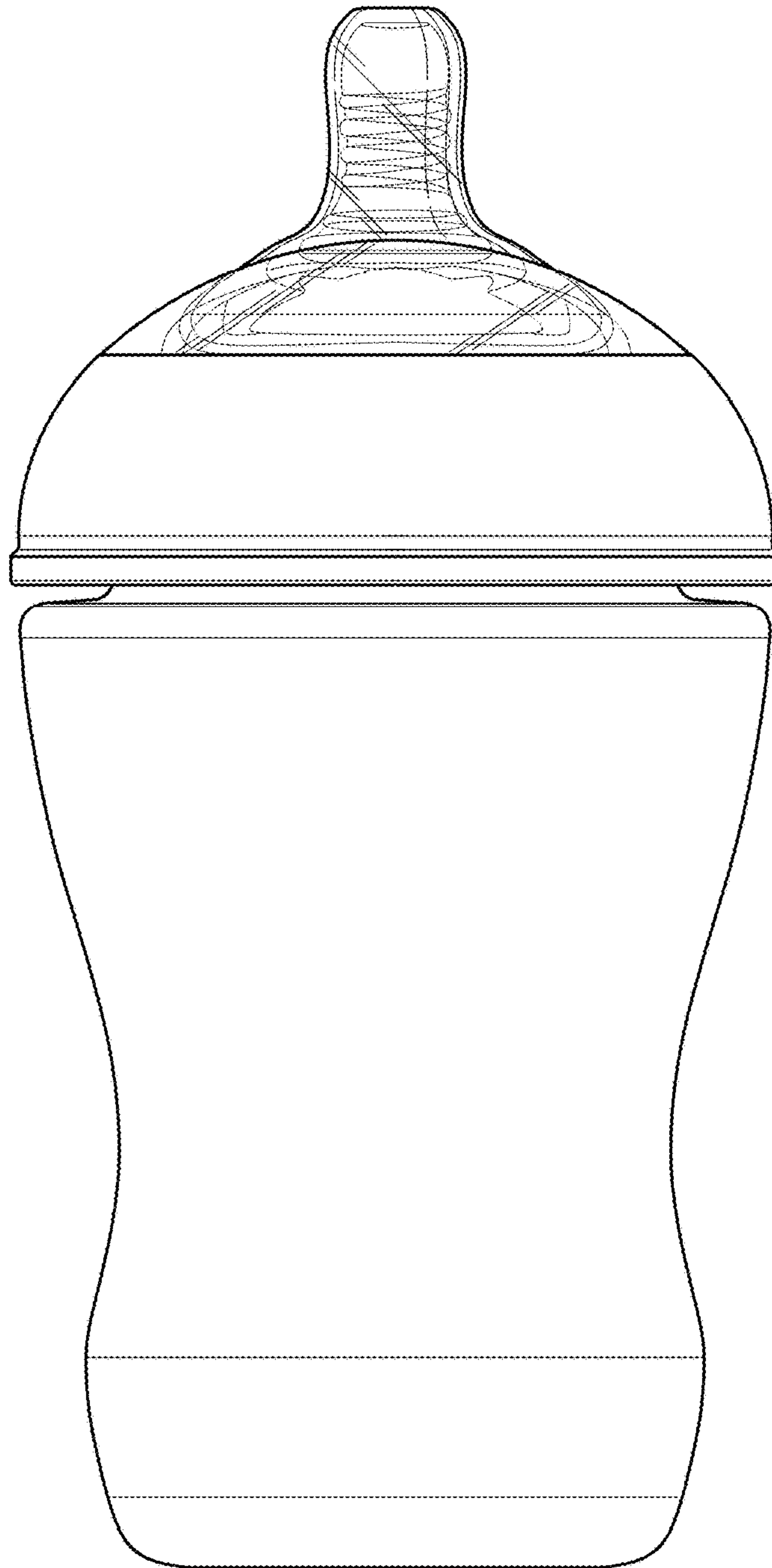


FIG. 11

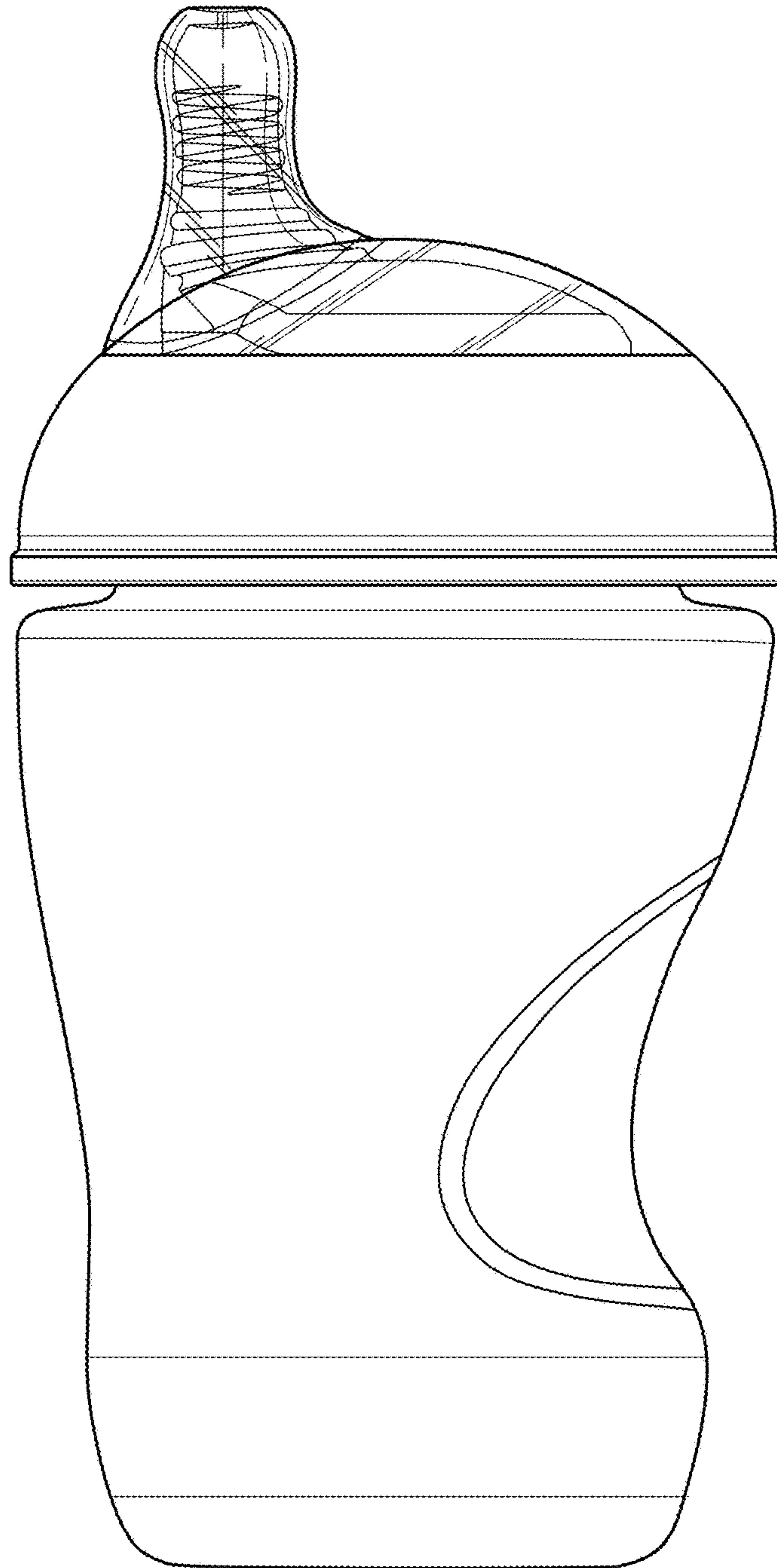
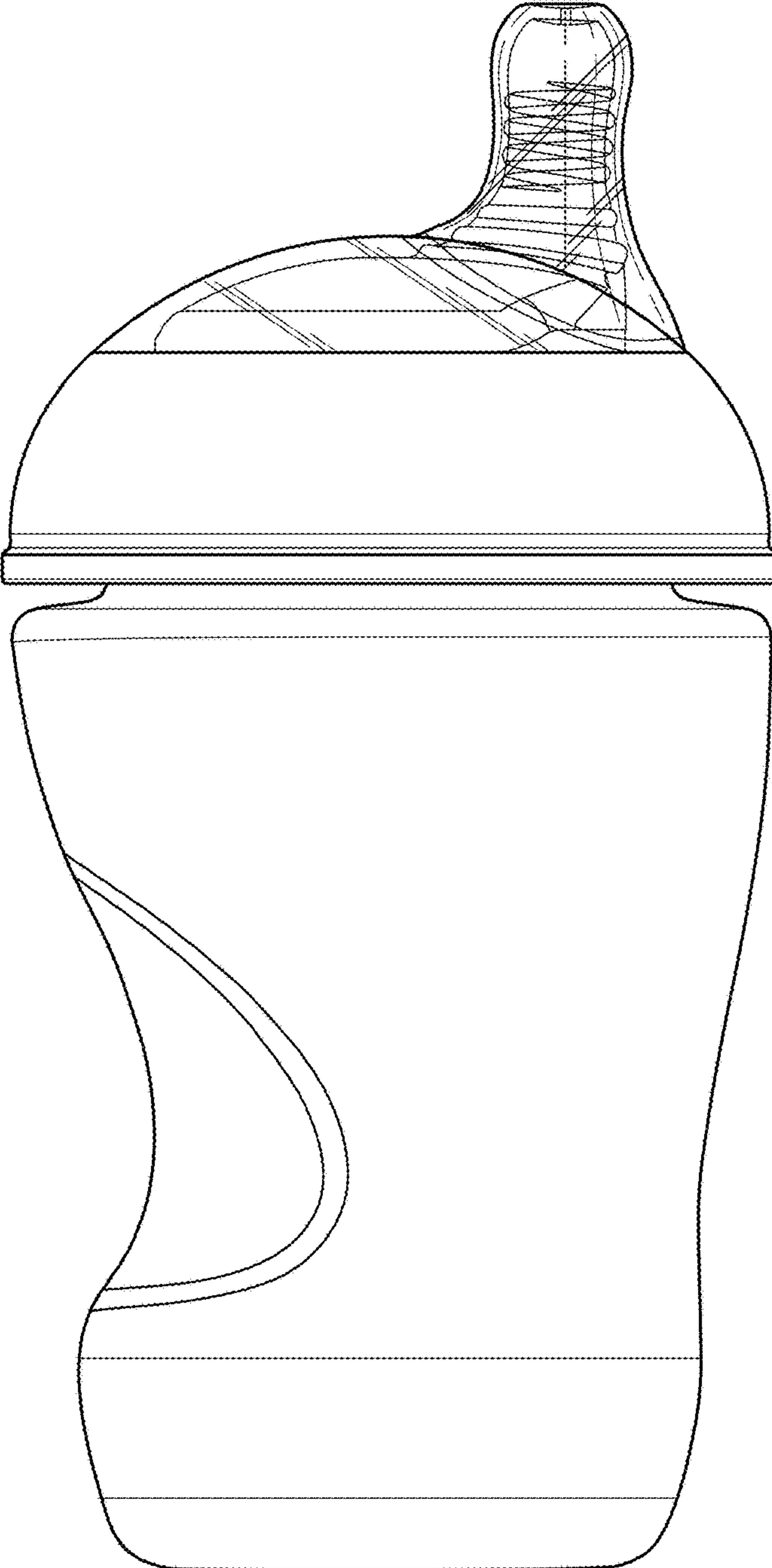
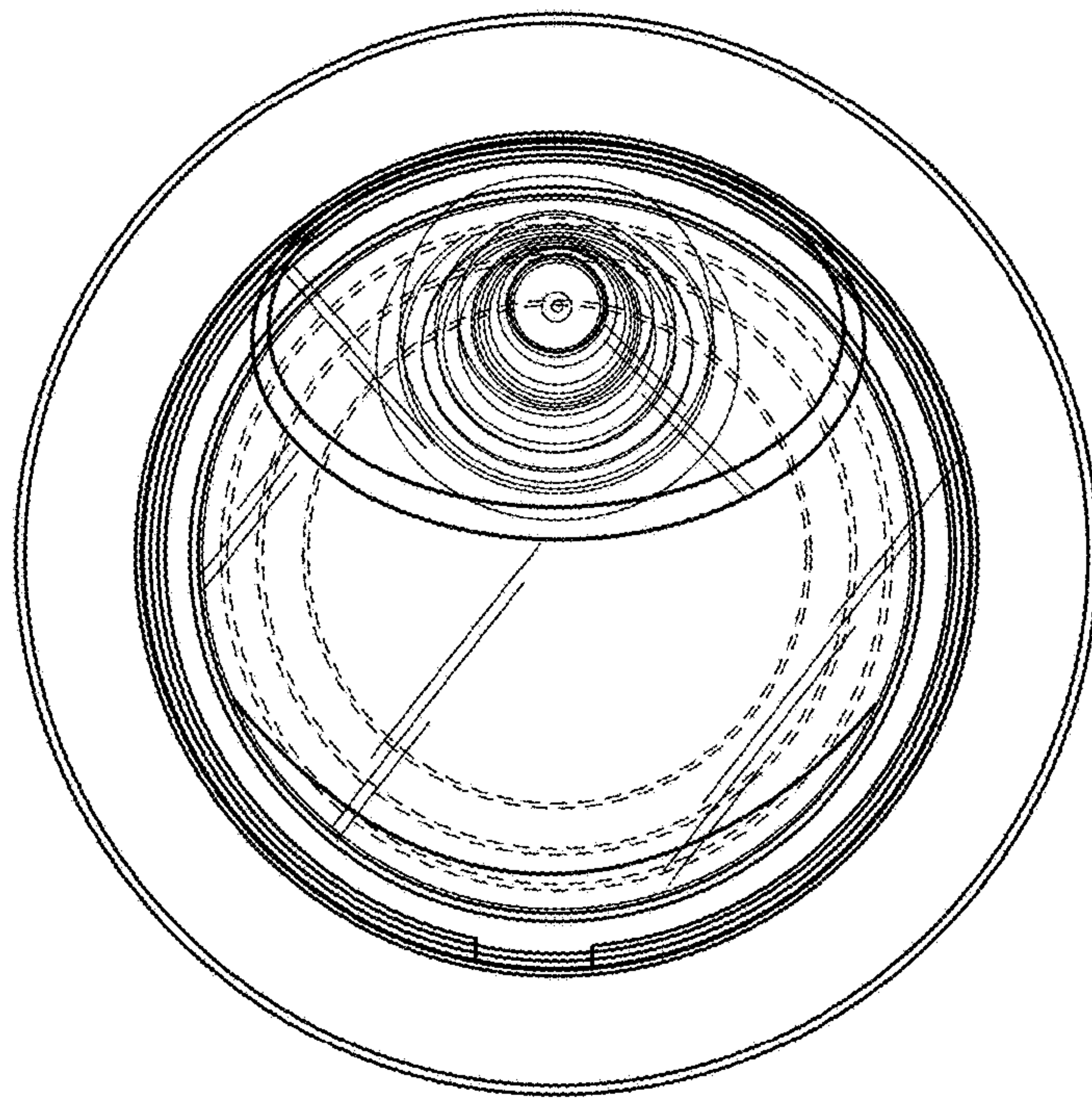




FIG. 12



**FIG. 13**



**FIG. 14**

