



US00D838138S

(12) **United States Design Patent** (10) **Patent No.:** **US D838,138 S**  
**Yao** (45) **Date of Patent:** **\*\* Jan. 15, 2019**

(54) **CUP WITH MOBILE PHONE SEAT**

(71) Applicant: **Hangzhou Everich Houseware Co., Ltd.**, Hangzhou, Zhejiang (CN)

(72) Inventor: **Huajun Yao**, Zhejiang (CN)

(73) Assignee: **EVERICH AND TOMIC HOUSEWARES CO., LTD.**, Hangzhou, Zhejiang (CN)

(\*\*) Term: **15 Years**

(21) Appl. No.: **29/585,302**

(22) Filed: **Nov. 22, 2016**

(30) **Foreign Application Priority Data**

May 23, 2016 (CN) ..... 2016 3 0194907

(51) **LOC (11) Cl.** ..... **07-01**

(52) **U.S. Cl.**  
USPC ..... **D7/507**; D7/511; D7/532; D14/252

(58) **Field of Classification Search**  
USPC ..... D7/392.1, 396.2, 387, 396.3, 388, 900, D7/507, 555, 510, 511, 533, 536, 397, D7/398, 396.1, 620, 619.1, 532, 608; D9/436, 434, 435, 454; 220/200, 703; D8/382, 395, 396, 394; D14/252, 253, D14/415  
CPC ..... B65D 41/56; B65D 43/02; B65D 1/265; A47G 19/2216; A47G 19/22; A47G 19/2222  
See application file for complete search history.

(56) **References Cited**

**U.S. PATENT DOCUMENTS**

D420,550 S \* 2/2000 Elshof ..... D7/510  
D574,375 S \* 8/2008 Prest ..... D14/217  
D647,881 S \* 11/2011 Warner ..... D14/217  
D668,662 S \* 10/2012 Suiter ..... D14/447

D672,783 S \* 12/2012 Robinson ..... D14/447  
D691,416 S \* 10/2013 Eyal ..... D7/396.2  
D713,202 S \* 9/2014 Lin ..... D7/511  
D747,617 S \* 1/2016 Xiong ..... D6/683.1  
D754,668 S \* 4/2016 Manabe ..... D14/447  
D756,346 S \* 5/2016 Kim ..... D14/253  
D761,618 S \* 7/2016 Lapsker ..... D7/392.1  
D772,884 S \* 11/2016 Oberpriller ..... G06K 7/1095  
D14/253  
D786,234 S \* 5/2017 Bo ..... D14/252  
D789,737 S \* 6/2017 Eyal ..... D7/300.1  
D796,905 S \* 9/2017 Kestenbaum ..... D7/510  
D807,701 S \* 1/2018 Bo ..... D7/507

\* cited by examiner

*Primary Examiner* — Marianne N Pandozzi

*Assistant Examiner* — Jae Liang

(74) *Attorney, Agent, or Firm* — Global IP Services; Tianhua Gu

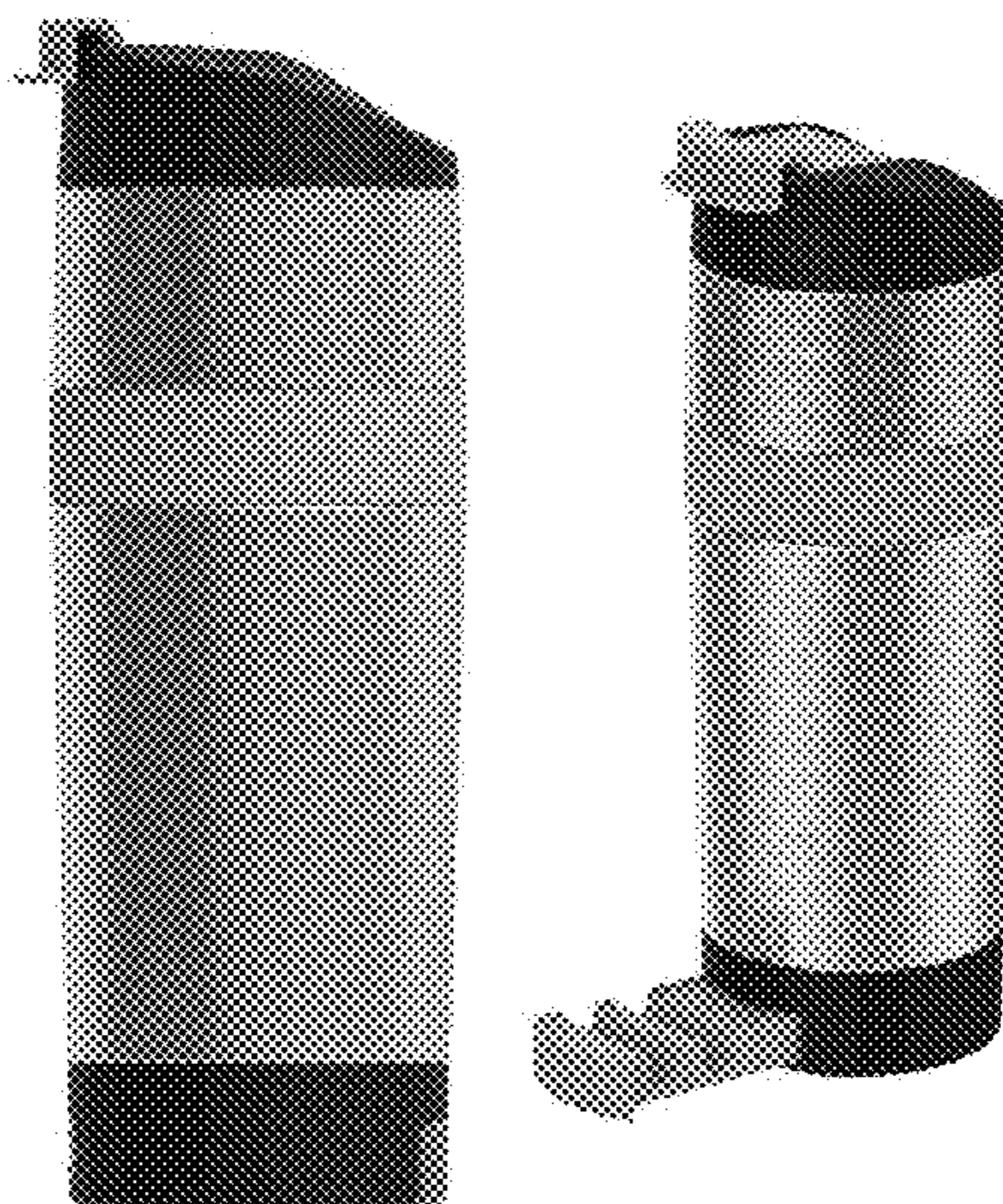
(57) **CLAIM**

The ornamental design for a cup with mobile phone seat, as shown and described.

**DESCRIPTION**

FIG. 1 is a front elevational view of a cup with mobile phone seat showing my new design;  
FIG. 2 is a rear elevational view thereof;  
FIG. 3 is a left side elevational view thereof;  
FIG. 4 is a right side elevational view thereof;  
FIG. 5 is a top plan view thereof;  
FIG. 6 is a bottom plan view thereof;  
FIG. 7 is a bottom perspective view thereof with the mobile phone seat in its closed position;  
FIG. 8 is a left side perspective view thereof with the mobile phone seat in its expanded position;  
FIG. 9 is a right side perspective view of FIG. 8; and,  
FIG. 10 is an environmental perspective view of FIG. 8.  
The broken lines depict portions of the cup with mobile phone seat that form no part of the claimed design.

**1 Claim, 6 Drawing Sheets**



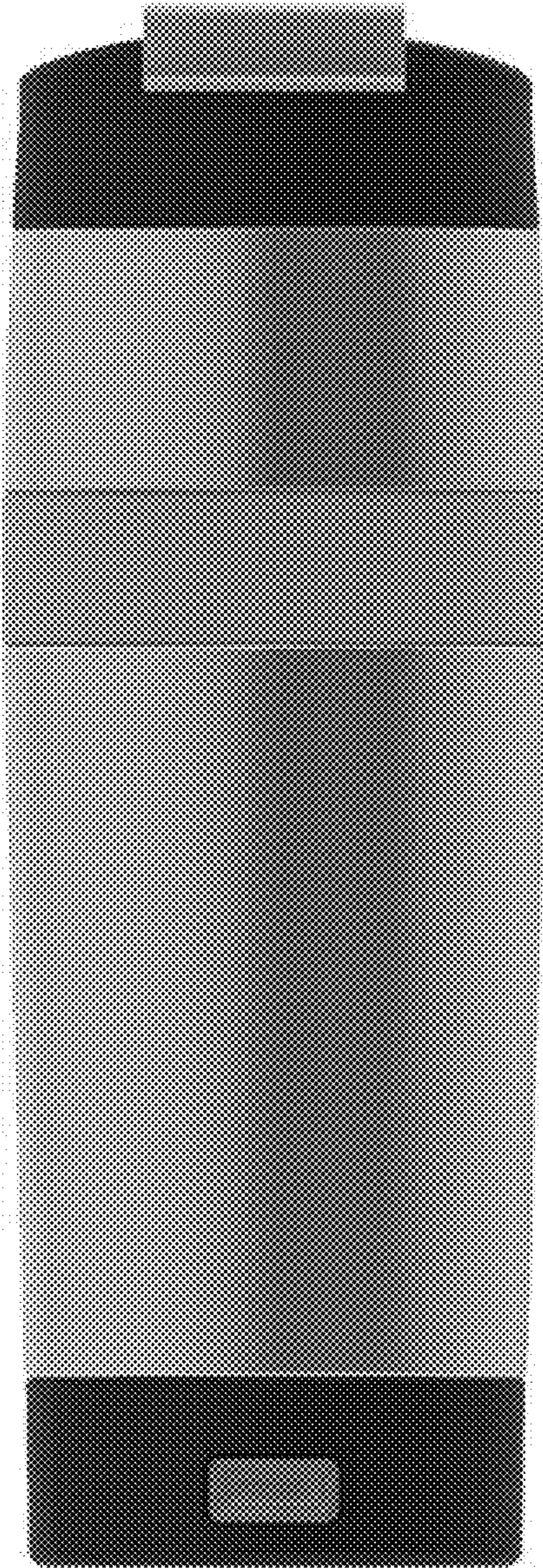


FIG. 1

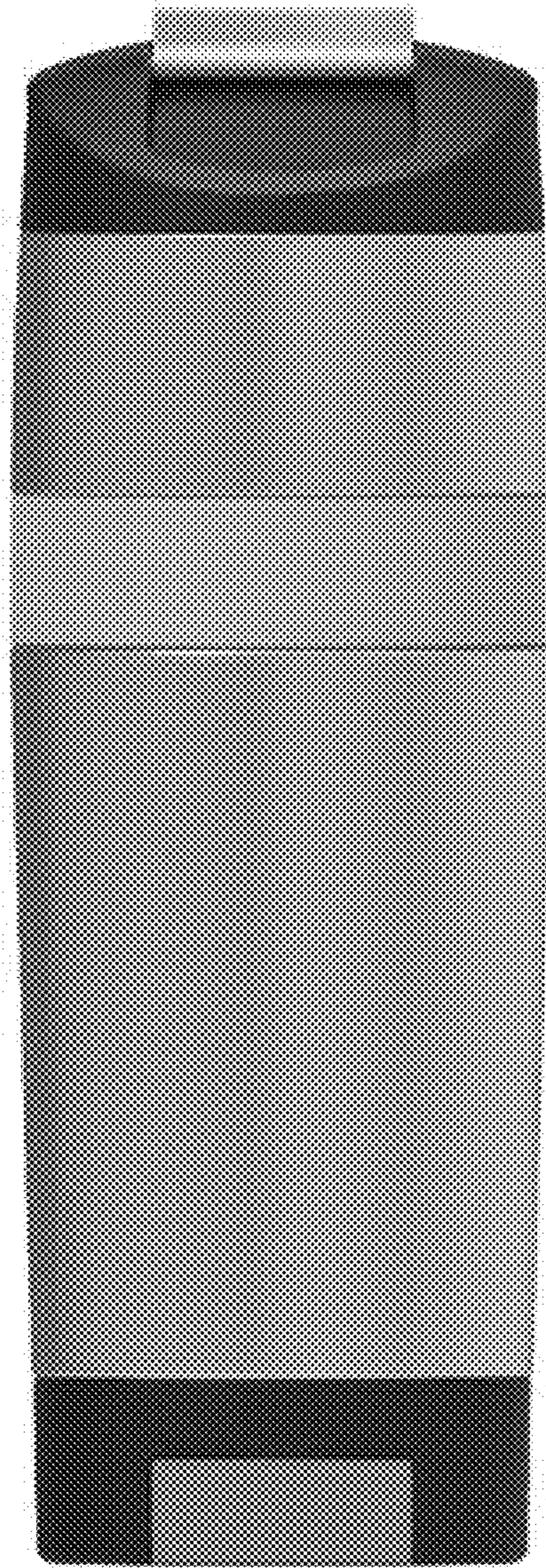


FIG. 2

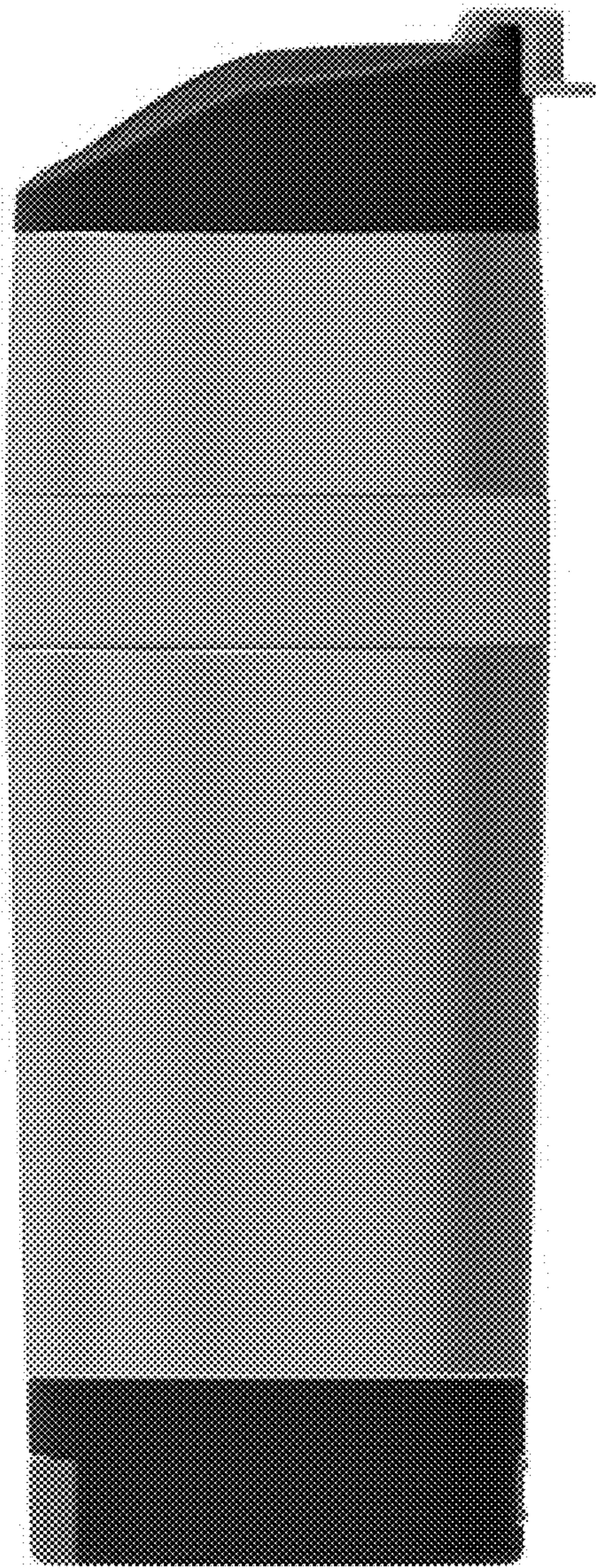


FIG. 3

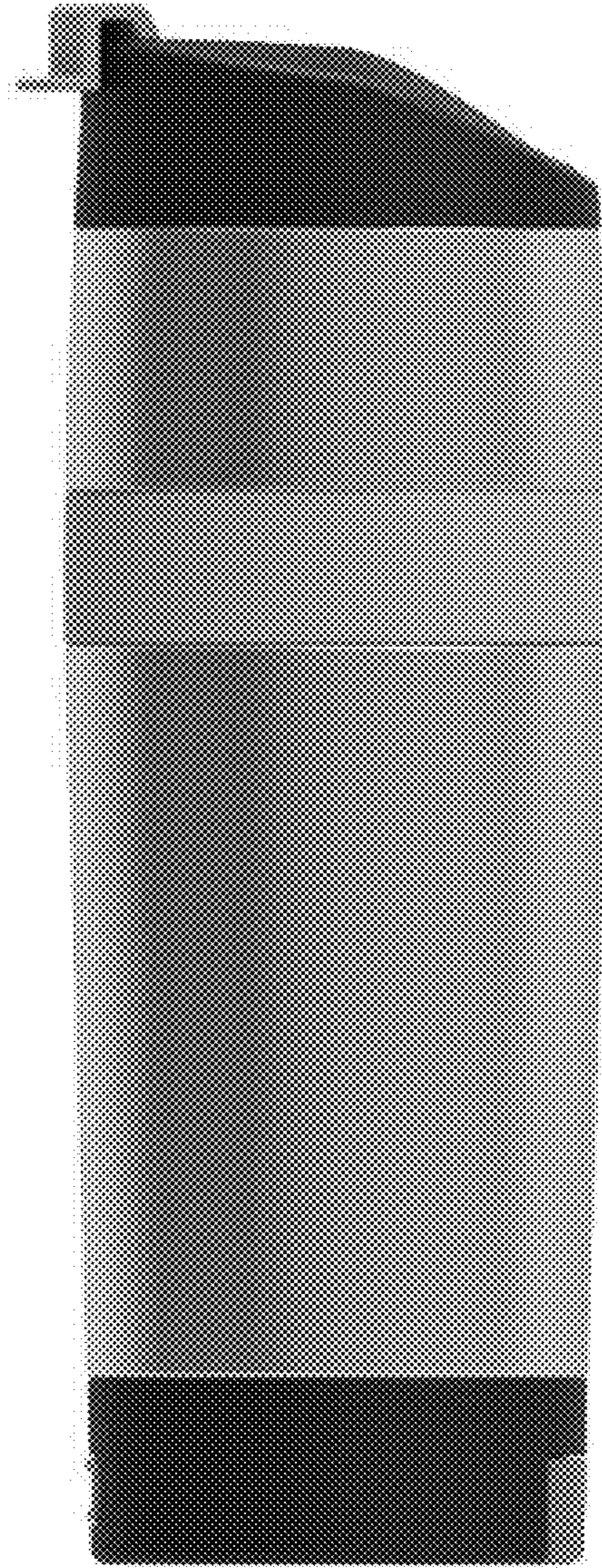


FIG. 4

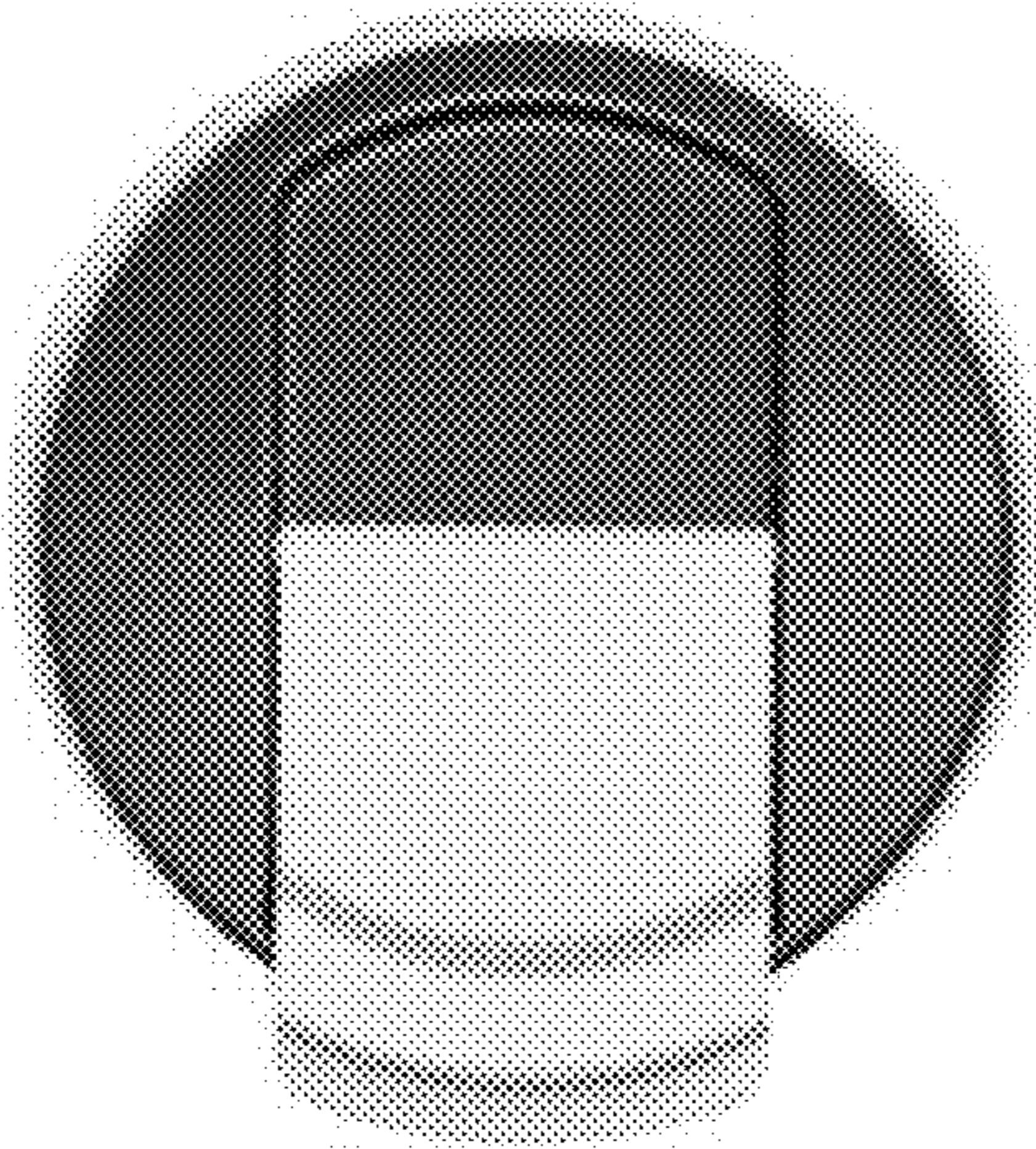


FIG. 5

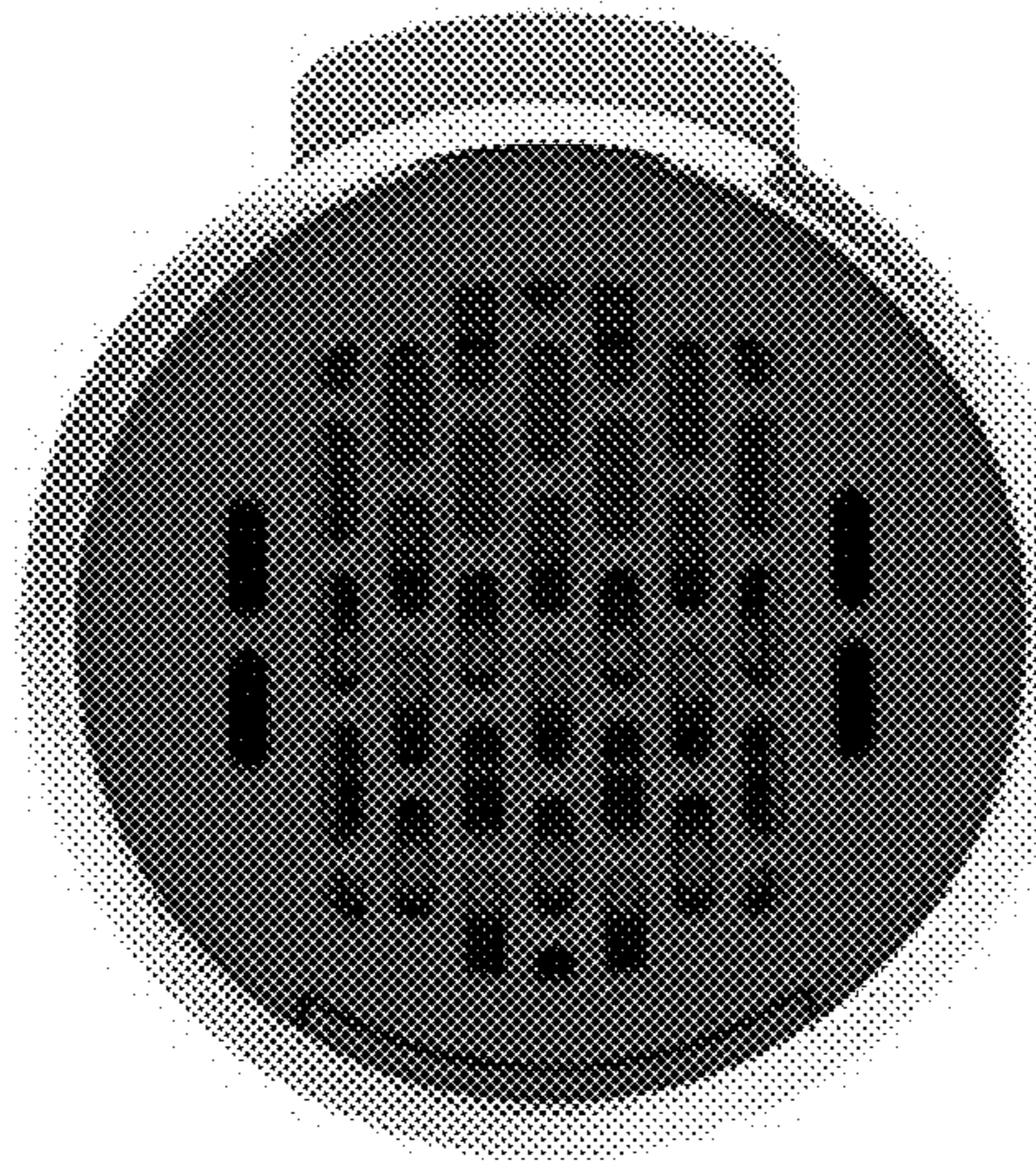


FIG. 6

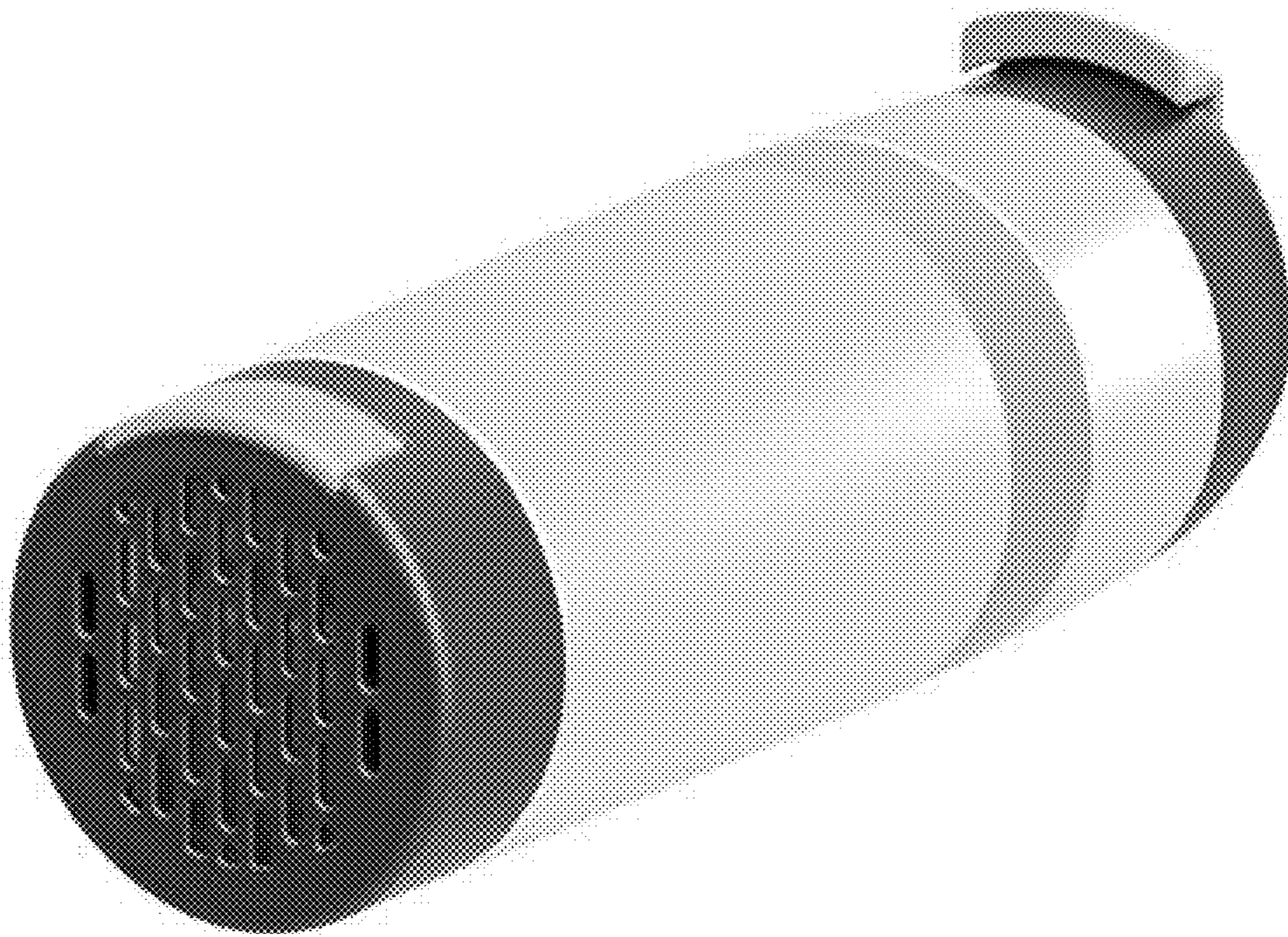


FIG. 7



FIG. 8

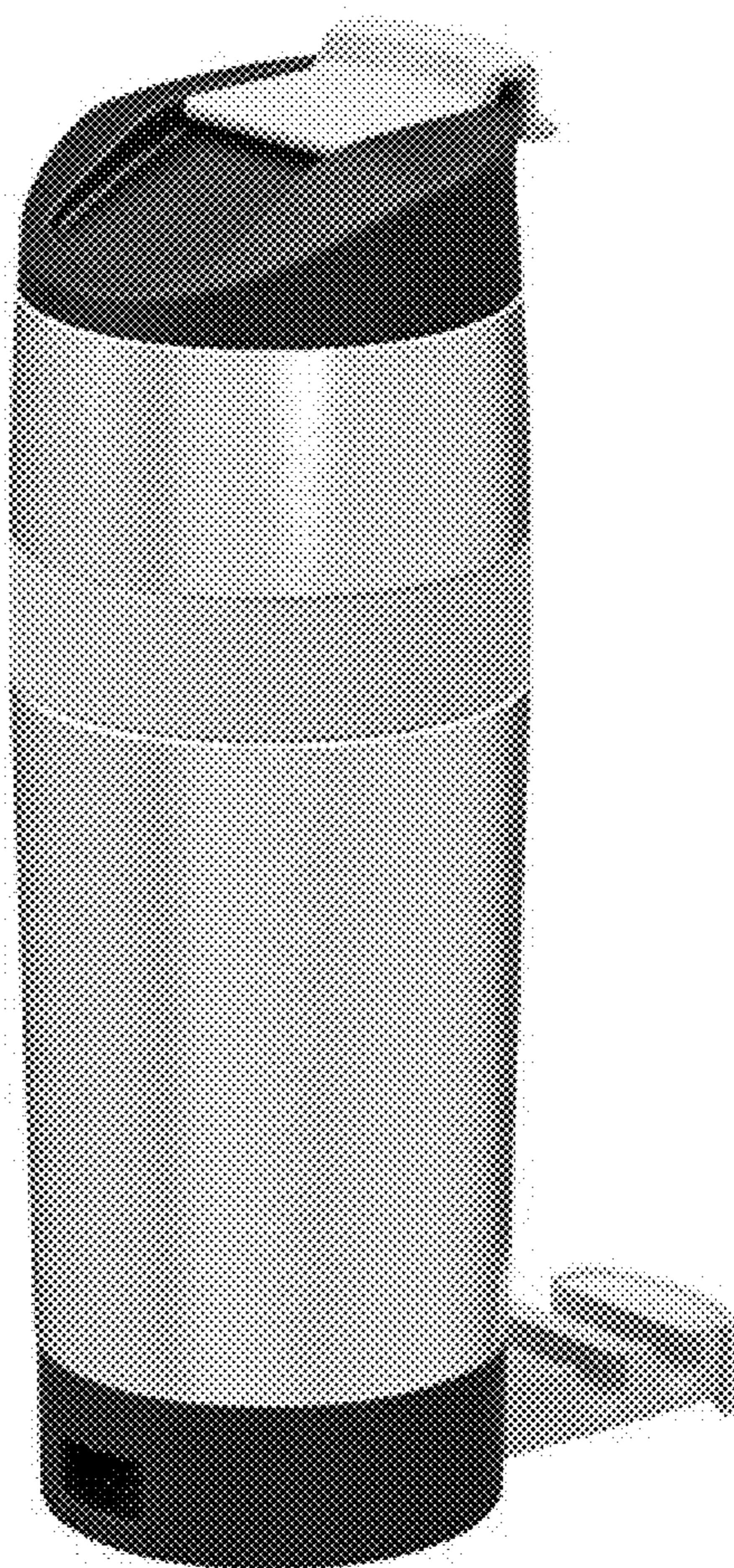


FIG. 9

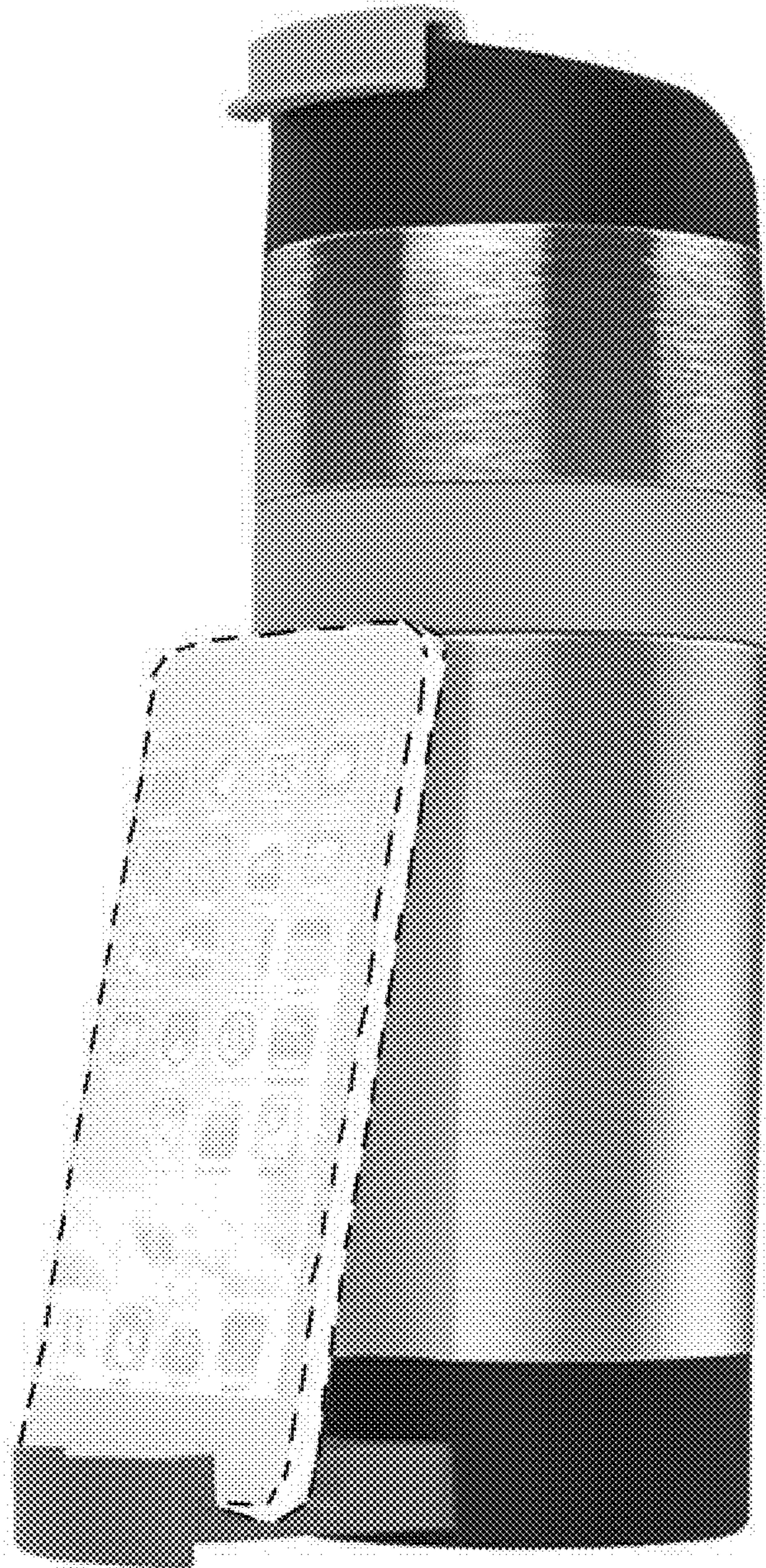


FIG. 10