



US00D838137S

(12) **United States Design Patent**  
**Koch et al.**

(10) **Patent No.:** **US D838,137 S**  
(45) **Date of Patent:** **\*\* Jan. 15, 2019**

- (54) **STOVE BURNER**
- (71) Applicant: **ISPHORDING GmbH**, Attendorn (DE)
- (72) Inventors: **Juergen Koch**, Attendorn (DE);  
**Matthias Mueller**, Attendorn (DE)
- (73) Assignee: **ISOPHORDING GMBH**, Olpe (DE)
- (\*\*) Term: **15 Years**
- (21) Appl. No.: **29/588,465**
- (22) Filed: **Dec. 21, 2016**
- (51) **LOC (11) Cl.** ..... **07-02**
- (52) **U.S. Cl.**  
USPC ..... **D7/407**
- (58) **Field of Classification Search**  
USPC ..... D7/402-409, 323, 332-351, 362-367,  
D7/399, 397, 309, 306; D23/386, 397,  
D23/402, 415-419; D15/81  
CPC ..... F24C 15/10; F24C 15/107; F24C 15/001;  
F24C 3/08; F24C 3/082; F24C 3/085;  
H05B 6/6414; H05B 6/6408; A47J 31/40;  
A47J 31/42  
See application file for complete search history.

(56) **References Cited**

**U.S. PATENT DOCUMENTS**

- 947,753 A \* 1/1910 Norstrand ..... F24C 3/085  
126/40
- 1,330,989 A \* 2/1920 Soultz ..... F24C 15/001  
126/36
- 1,663,438 A \* 3/1928 Brumbaugh ..... F24C 3/085  
126/214 C
- 1,681,068 A \* 8/1928 Taylor ..... F24C 3/085  
126/211
- 1,742,897 A \* 1/1930 Brodbeck ..... F24C 15/001  
126/39 K
- 1,764,718 A \* 6/1930 Gercich ..... F24C 3/085  
126/39 K

- 1,833,734 A \* 11/1931 Brumbaugh ..... F24C 15/10  
126/214 A
- 1,872,019 A \* 8/1932 Taylor ..... F24C 3/085  
126/214 C
- 1,878,143 A \* 9/1932 Hobson ..... F24C 3/085  
126/39 K
- 1,962,819 A \* 6/1934 Hoffstetter ..... F24C 3/085  
126/214 A

(Continued)

*Primary Examiner* — Sheryl Lane

*Assistant Examiner* — Nicole C Shiflet

(74) *Attorney, Agent, or Firm* — Andrew Wilford

(57) **CLAIM**

The ornamental design for a stove burner, as shown and described.

**DESCRIPTION**

This application is related to commonly owned and copending U.S. patent application Ser. No. 29/579,796 filed Oct. 4, 2016, whose entire disclosure is incorporated herewith by reference.

FIG. 1 is a perspective view of a stove burner formed of a cover and a base shown in FIGS. 5-10;

FIG. 2 is a top view of the stove burner;

FIG. 3 is a front side view of the stove burner;

FIG. 4 is another perspective view of the stove burner shown in a broken line environment;

FIG. 5 is a perspective view of a burner cover according to the invention;

FIG. 6 is a top view of the burner cover;

FIG. 7 is a front side view of a burner base according to the invention;

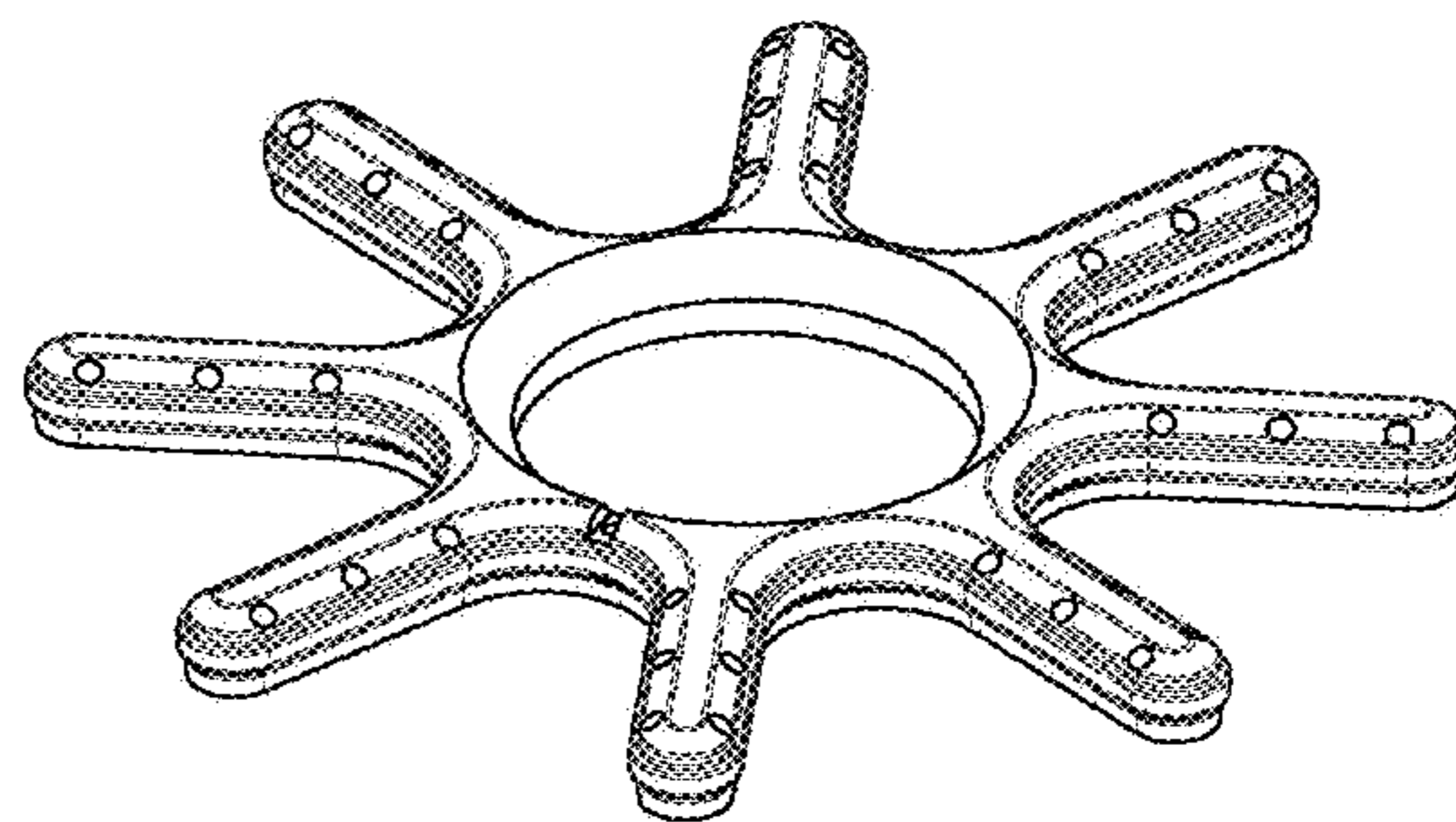
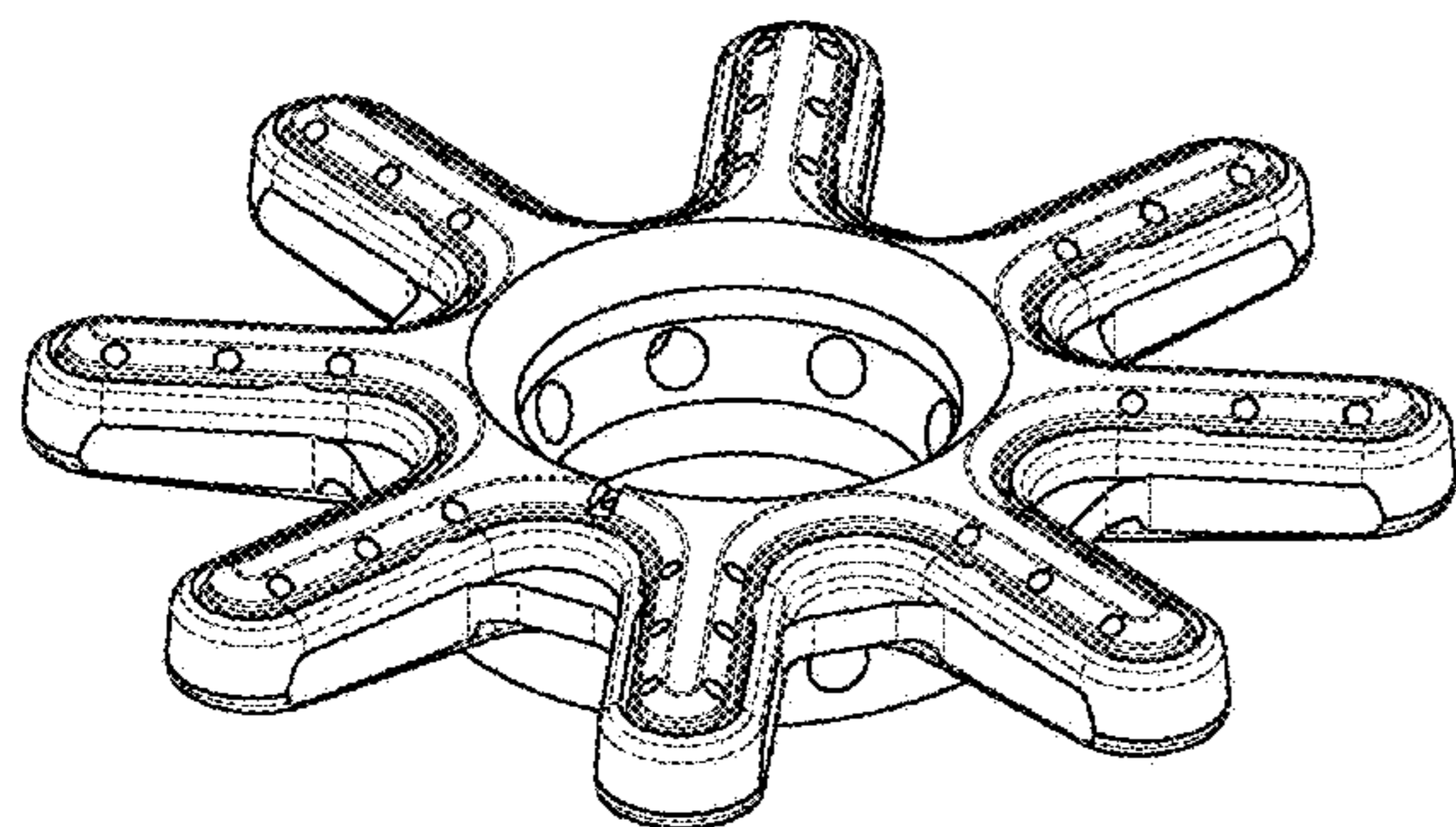
FIG. 8 is a perspective view of the burner base;

FIG. 9 is a top view of the burner base; and,

FIG. 10 is a front side view of the burner cover.

In the drawing, disclaimed structures are illustrated with broken lines.

**1 Claim, 5 Drawing Sheets**



(56)

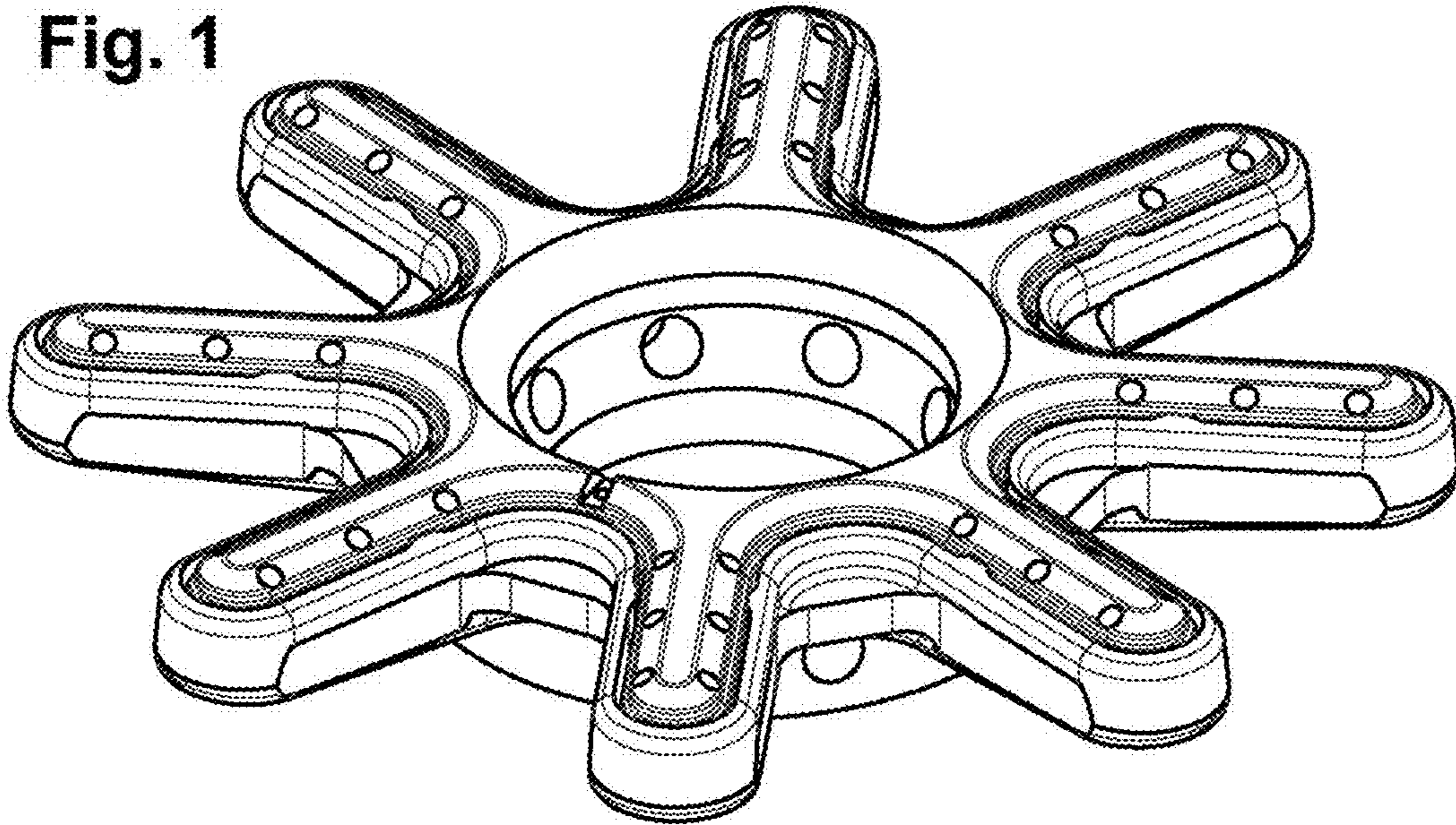
**References Cited**

U.S. PATENT DOCUMENTS

1,974,222	A *	9/1934	Teller .....	F24C 3/085 126/214 A
2,005,242	A *	6/1935	Rogers .....	F24C 3/085 126/214 C
2,138,925	A *	12/1938	Kahn .....	F24C 3/103 126/39 R

\* cited by examiner

**Fig. 1**



**Fig. 2**

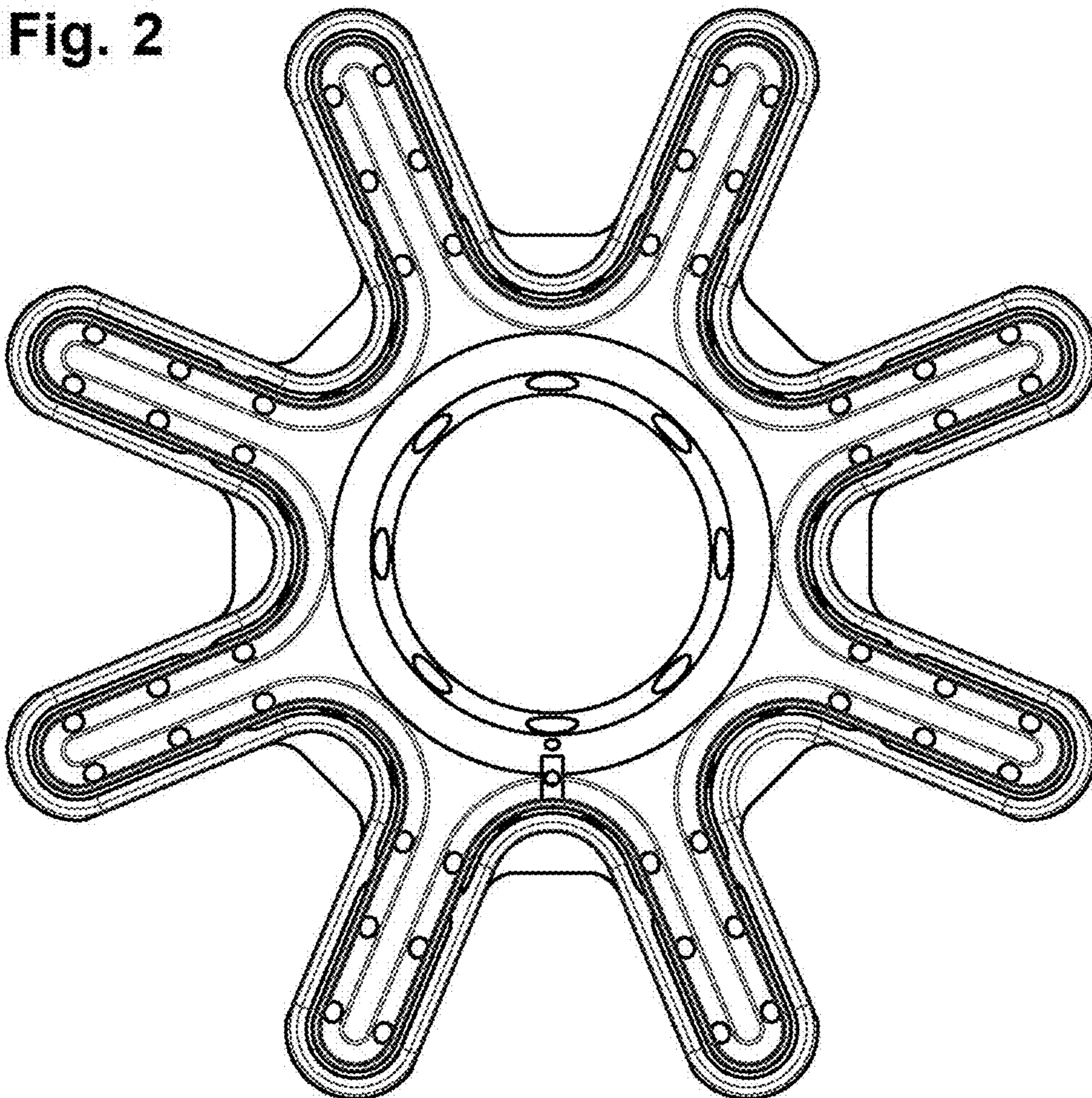


Fig. 3

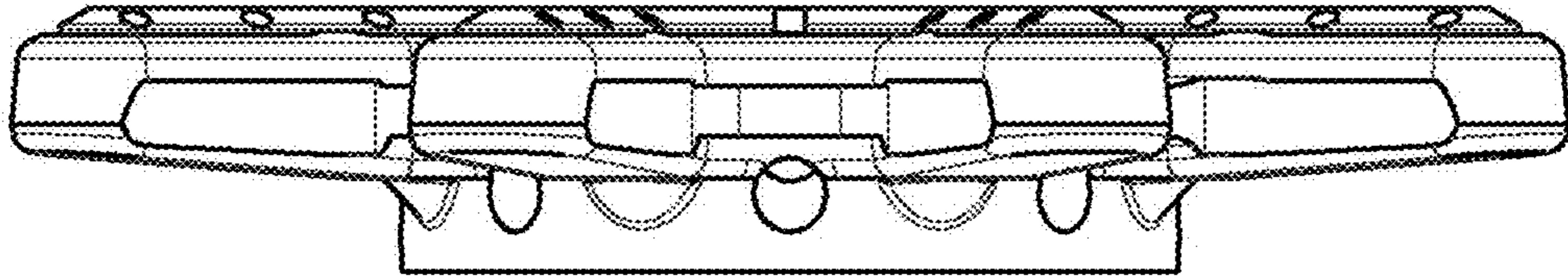
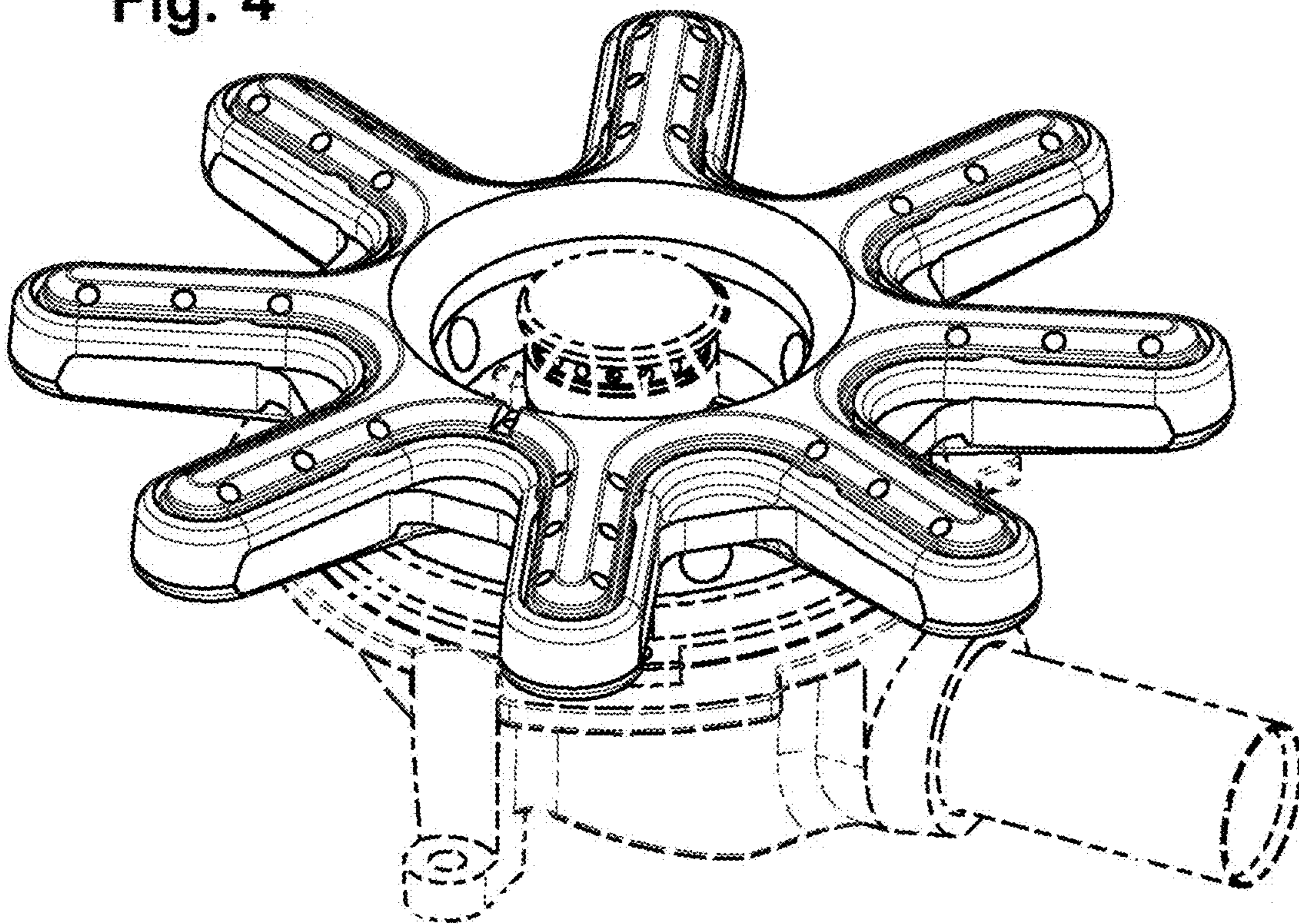
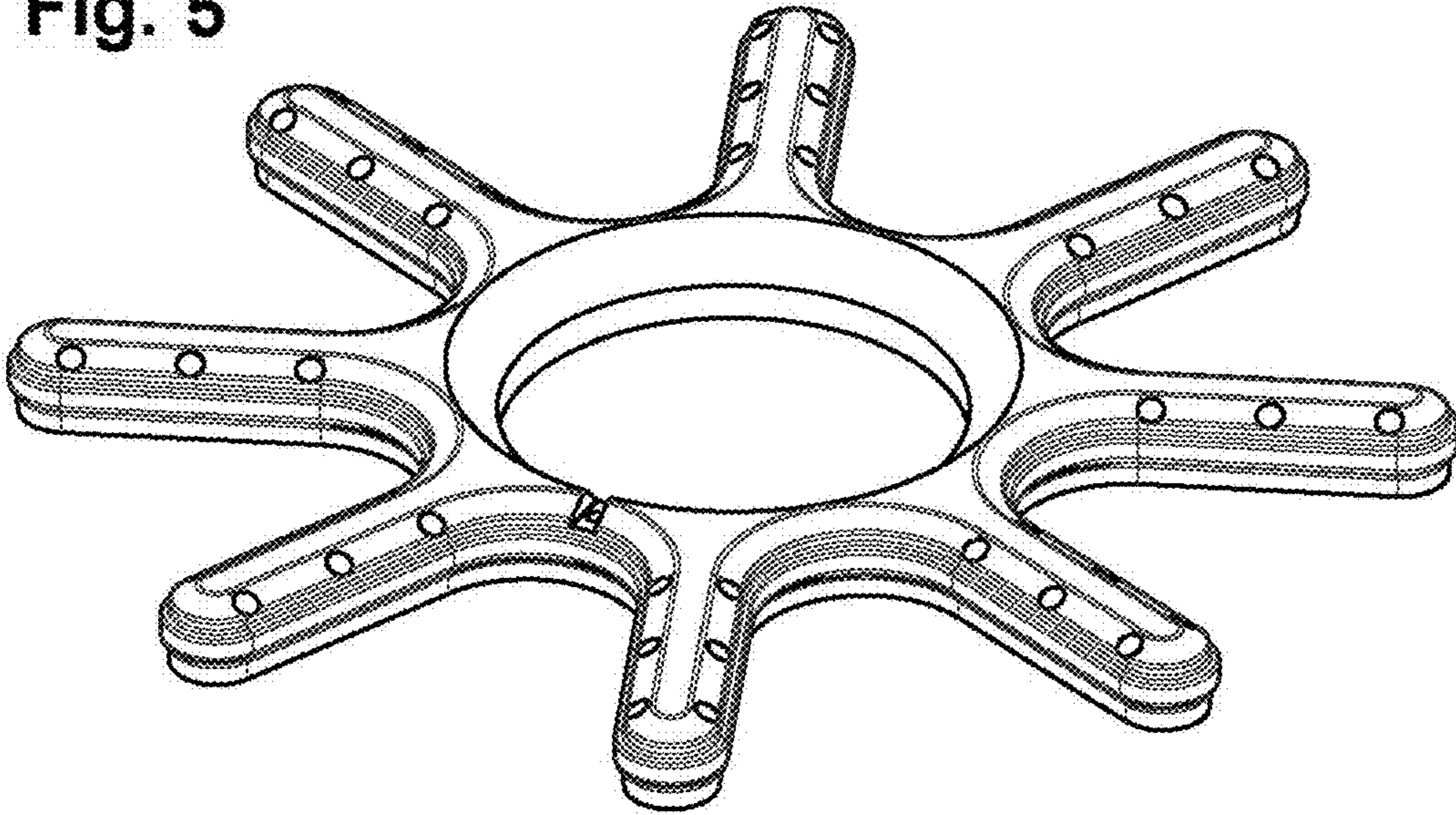


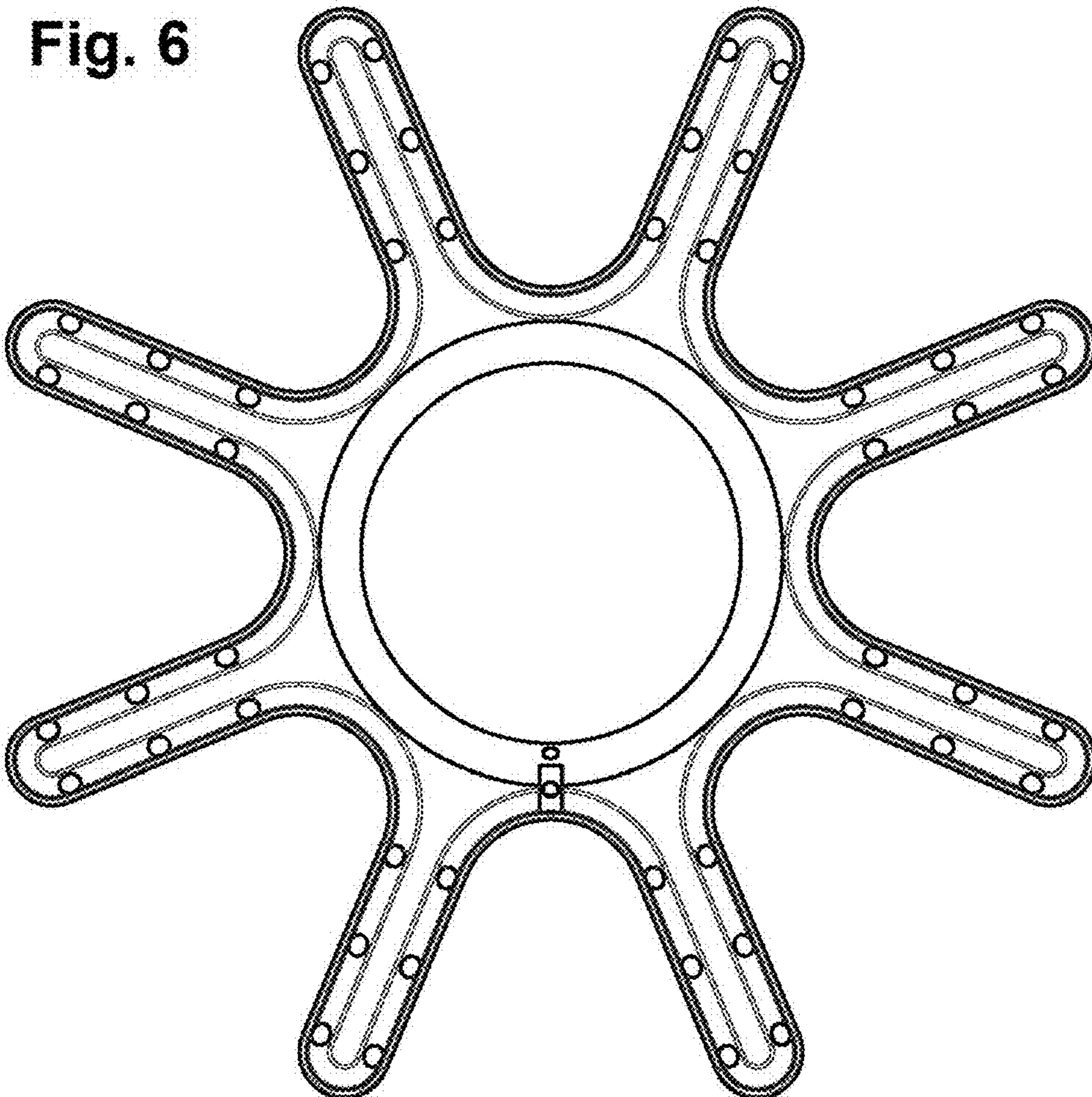
Fig. 4



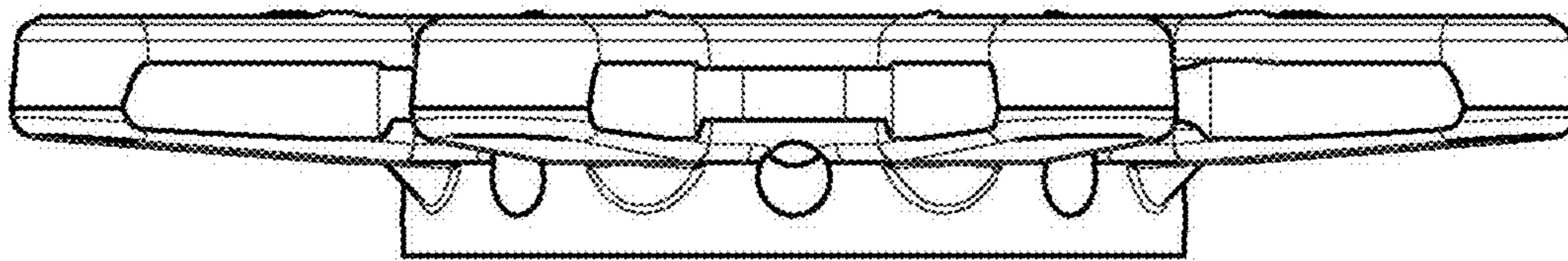
**Fig. 5**



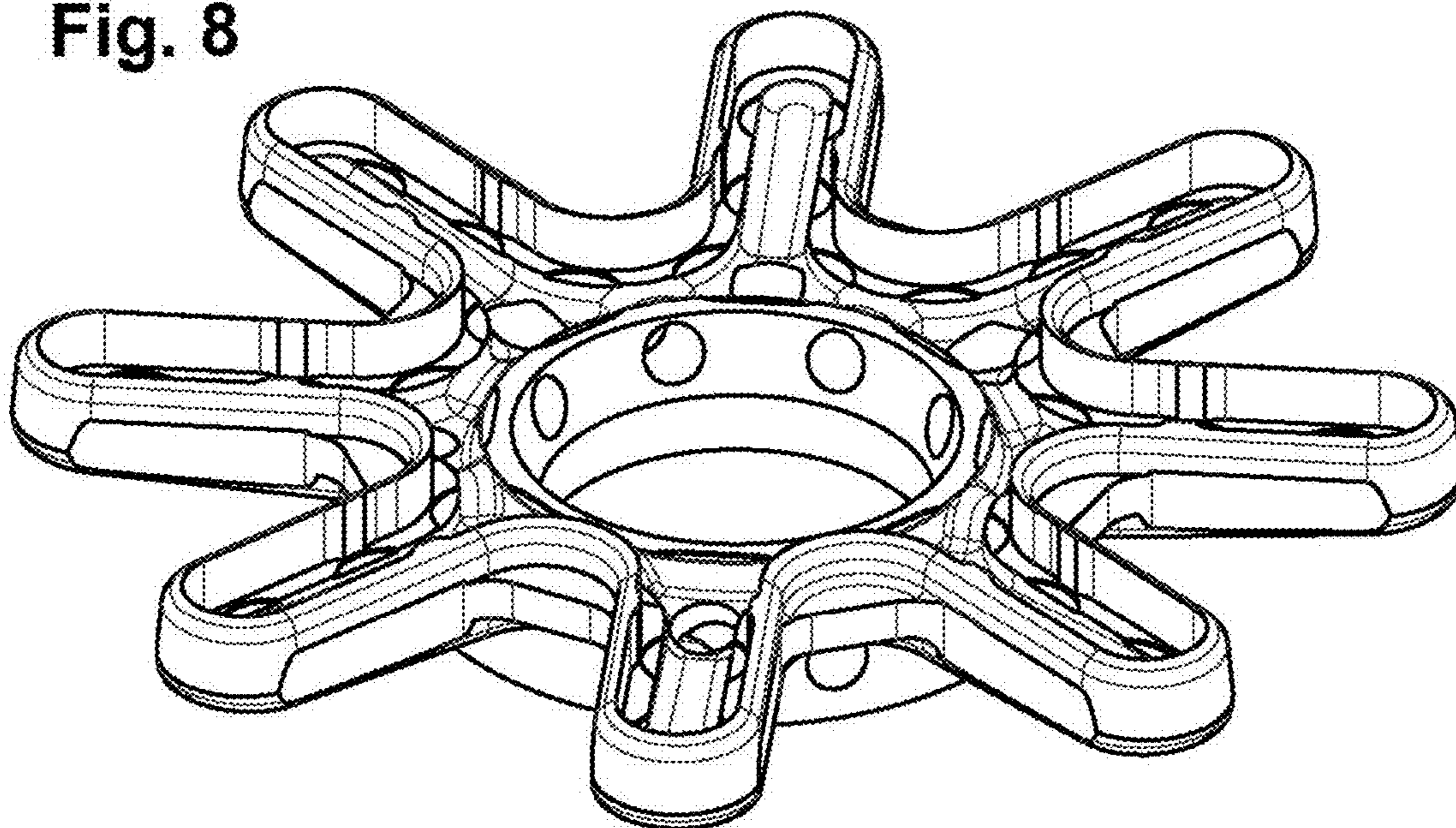
**Fig. 6**



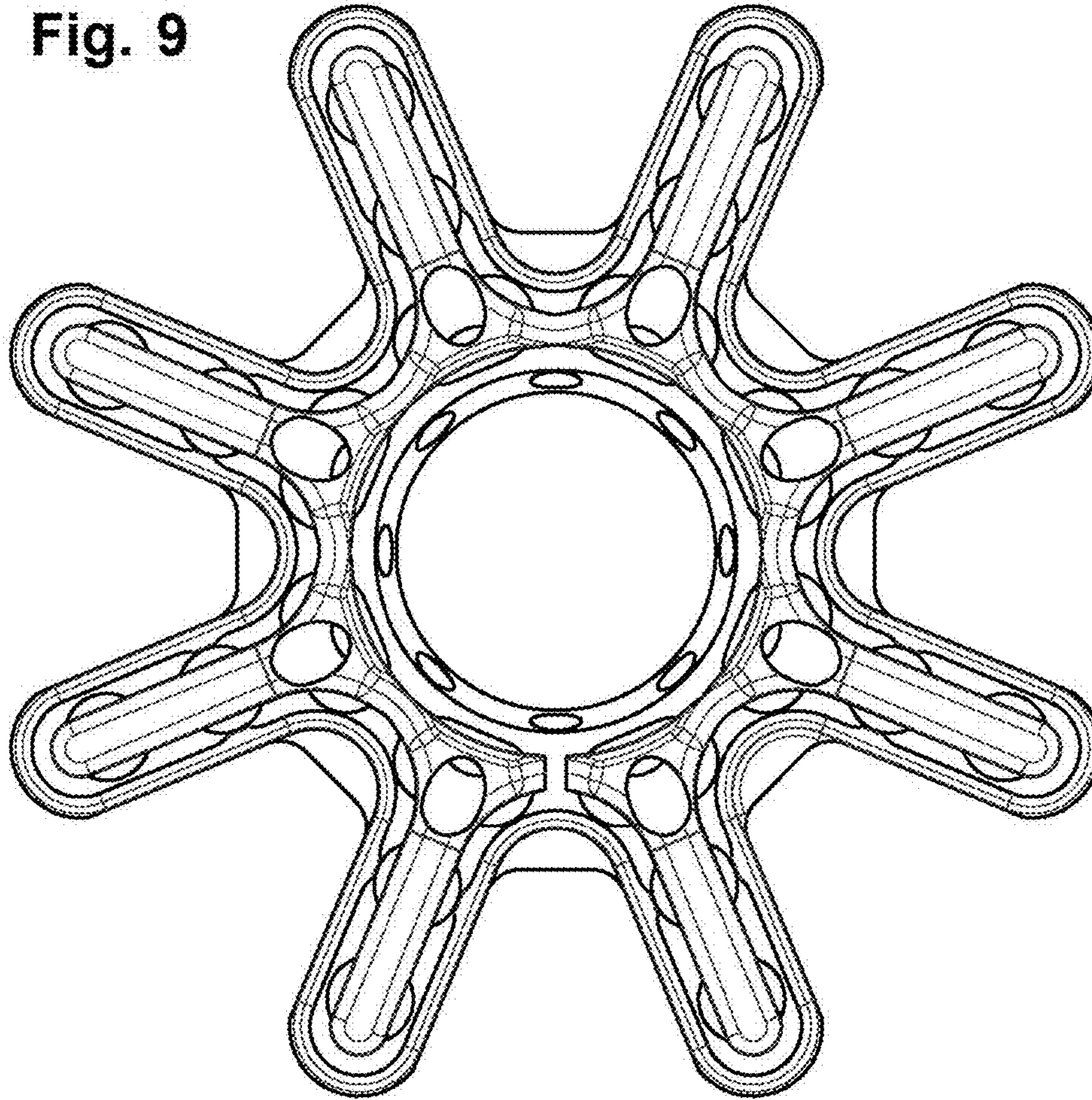
**Fig. 7**



**Fig. 8**



**Fig. 9**



**Fig. 10**

