



US00D838134S

(12) **United States Design Patent**
Furneau et al.

(10) **Patent No.:** **US D838,134 S**
(45) **Date of Patent:** **** Jan. 15, 2019**

(54) **COOLER STAND**

(71) Applicant: **Sovaro Coolers, LLC**, Roswell, GA (US)
(72) Inventors: **Todd McLean Furneau**, Roswell, GA (US); **Michael Thuma**, La Grange, IL (US); **Torrence Anderson**, Overland Park, KS (US); **Dov Blitzler**, Naperville, IL (US)
(73) Assignee: **Sovaro Coolers, LLC**, Roswell, GA (US)

(**) Term: **15 Years**

(21) Appl. No.: **29/611,470**

(22) Filed: **Jul. 21, 2017**

(51) **LOC (11) Cl.** **07-99**

(52) **U.S. Cl.**
USPC **D7/388**

(58) **Field of Classification Search**
USPC D7/213, 332, 334, 388; D6/682, 685, D6/691, 691.6, 691.9, 702, 708, 708.16, D6/708.24; D19/75
CPC A47B 3/06; A47B 31/00; A47B 2031/002; A47B 2031/003
See application file for complete search history.

(56) **References Cited**

U.S. PATENT DOCUMENTS

D568,066 S * 5/2008 Cohen D6/681
D568,067 S * 5/2008 Cohen D6/682
D568,636 S * 5/2008 Cohen D6/682
D569,131 S * 5/2008 Cohen D6/675.5

D631,745 S * 2/2011 Lawrence D9/435
D714,082 S * 9/2014 Vogler D6/677.3
D749,345 S * 2/2016 Everson D6/691.1
2014/0338574 A1* 11/2014 Wen A47B 31/04
108/177
2017/0055709 A1* 3/2017 Nowe A01G 9/143

* cited by examiner

Primary Examiner — Derrick E Holland

Assistant Examiner — Andrew Kerr

(74) *Attorney, Agent, or Firm* — McHale & Slavin, P.A.

(57) **CLAIM**

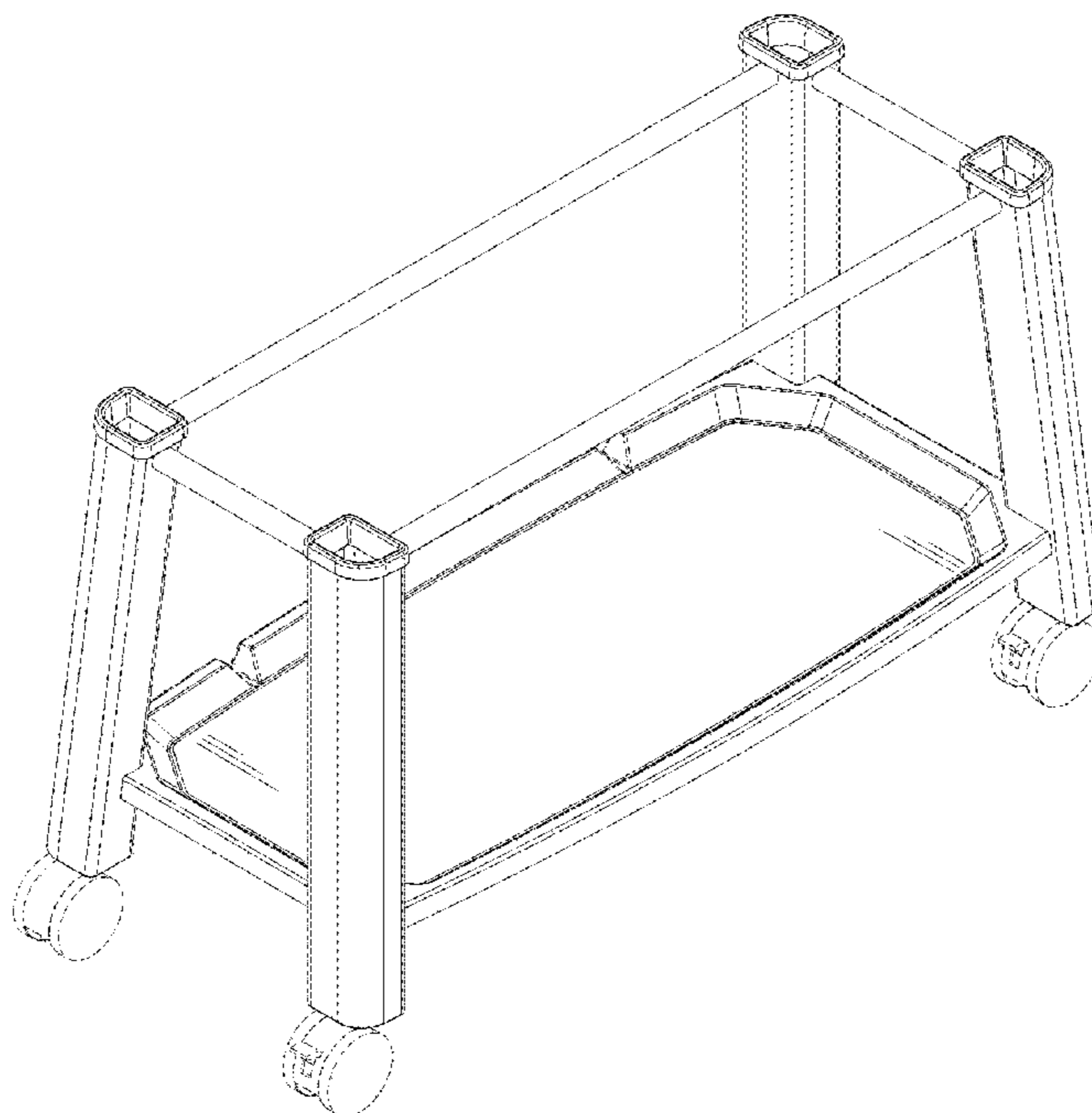
The ornamental design for a cooler stand, as shown and described.

DESCRIPTION

FIG. 1 is a front, top and left perspective view of a cooler stand, showing our new design;
FIG. 2 is a front view thereof;
FIG. 3 is a rear view thereof;
FIG. 4 is a left side view thereof;
FIG. 5 is a right side view thereof;
FIG. 6 is a bottom view thereof;
FIG. 7 is a top view thereof;
FIG. 8 is a front bottom right rear bottom perspective view thereof;
FIG. 9 is a front bottom right perspective view thereof, in use condition; and,
FIG. 10 is a front top left perspective view thereof, in use condition.

The broken lines shown represent environmental structure and form no part of the claimed design.

1 Claim, 10 Drawing Sheets



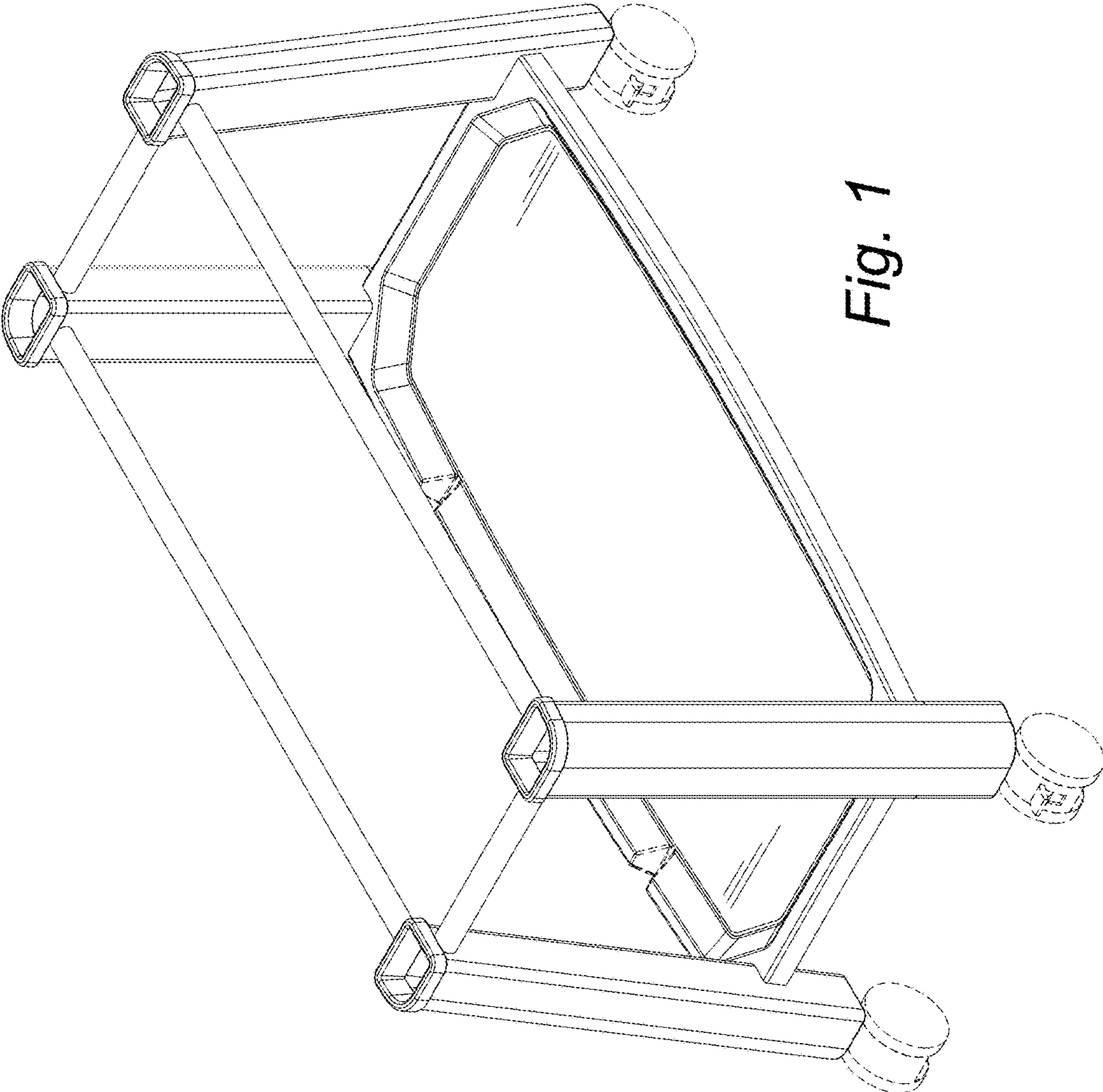


Fig. 1

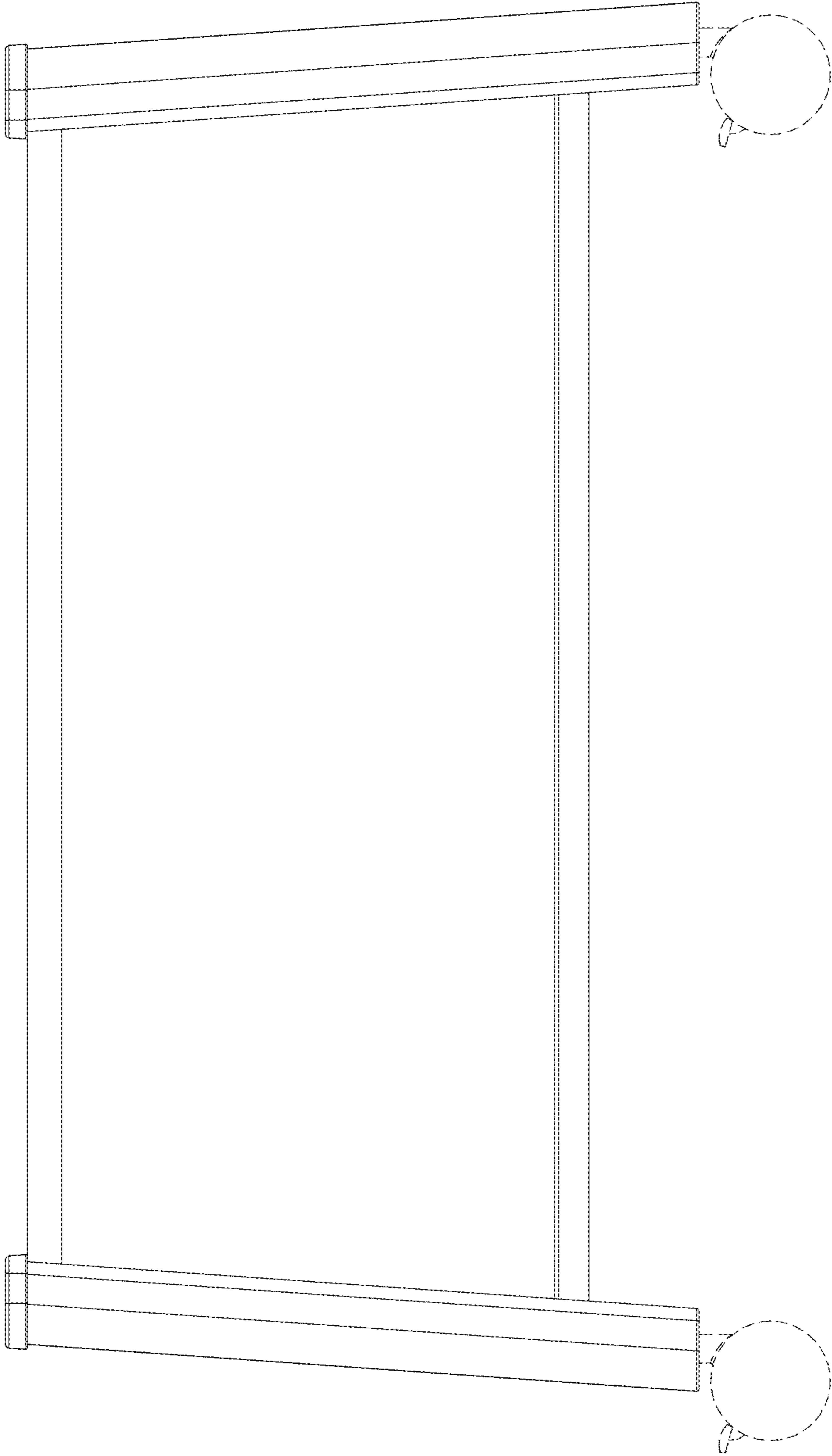


Fig. 2

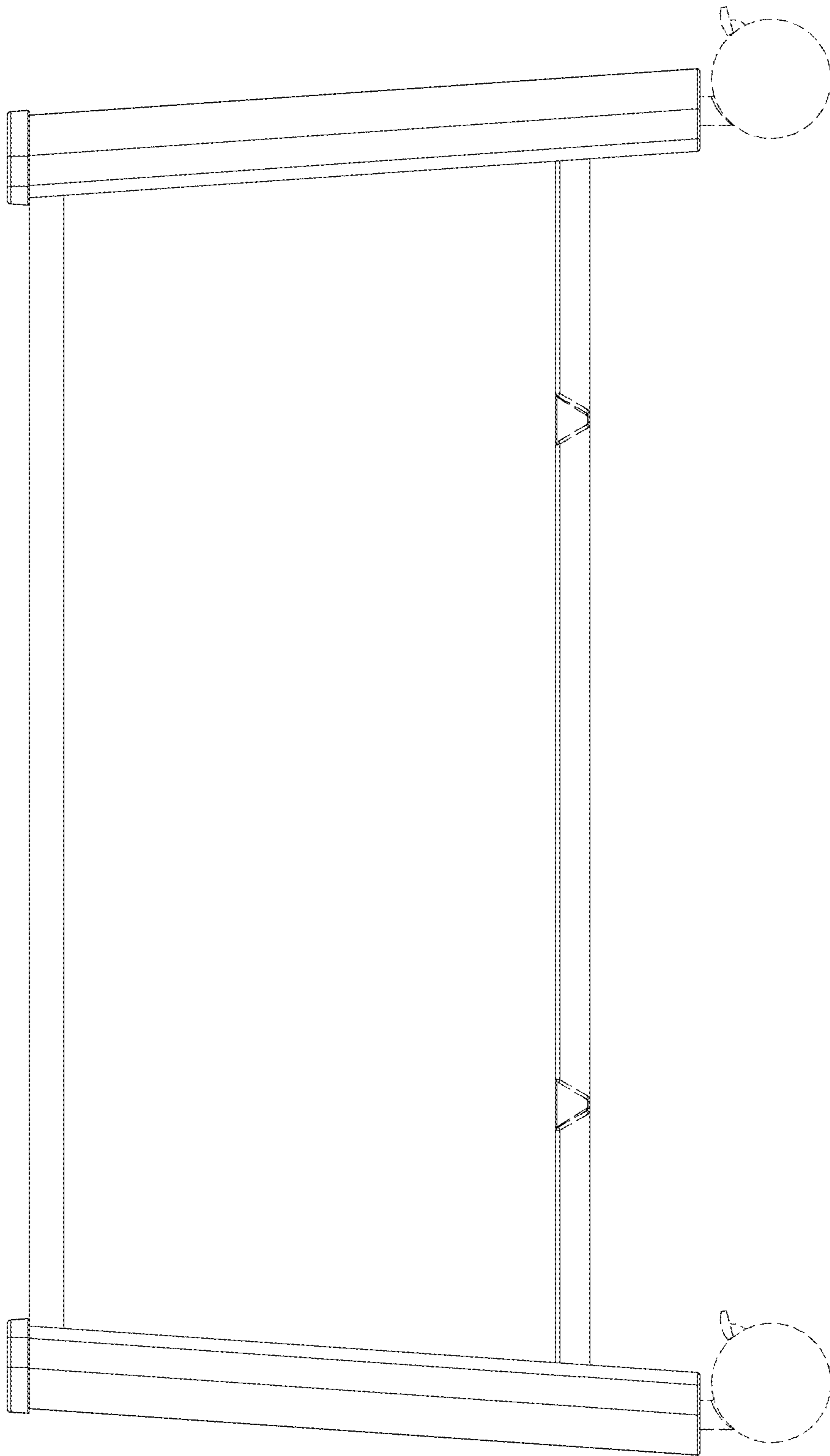


Fig. 3

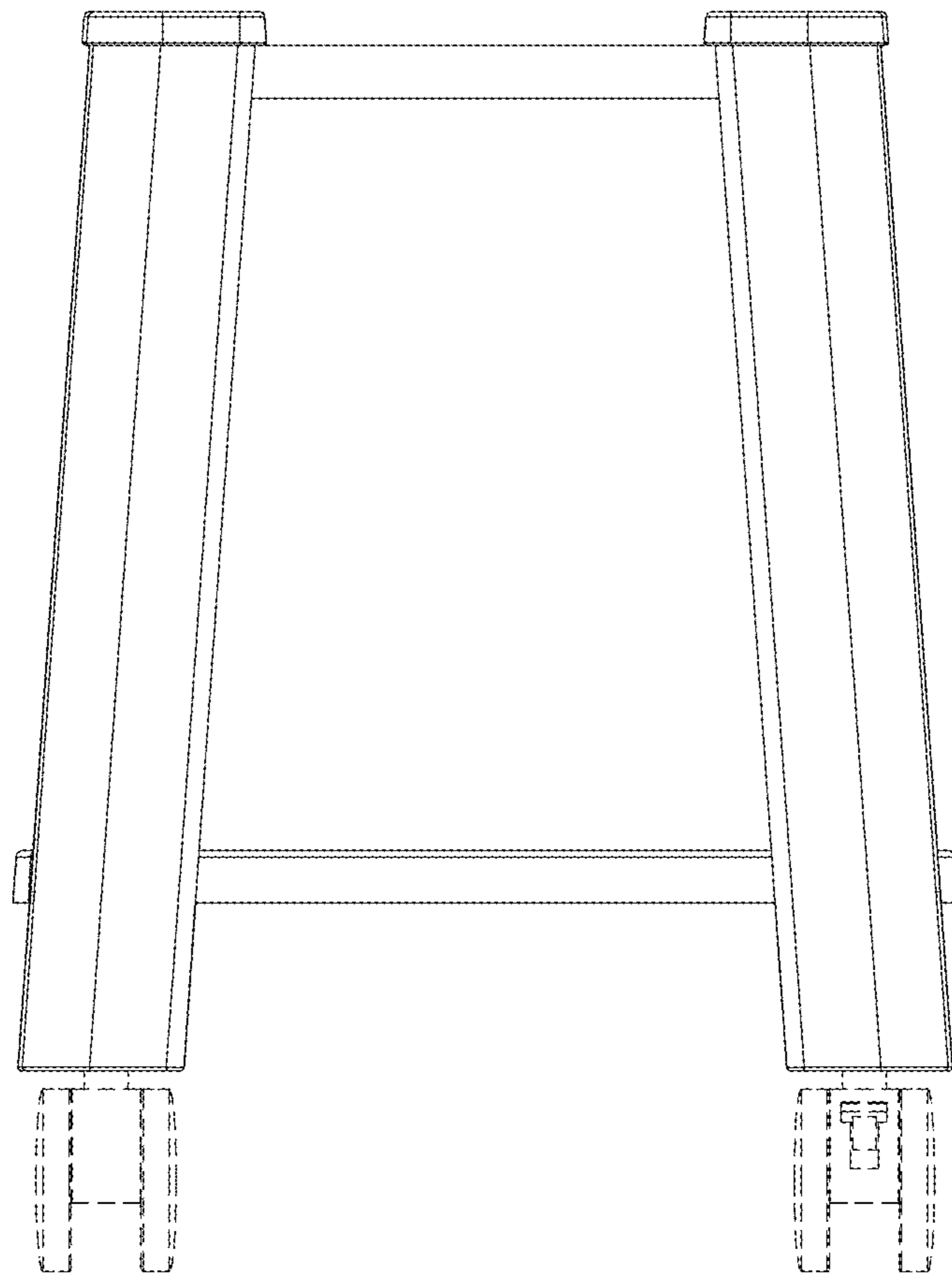


Fig. 4

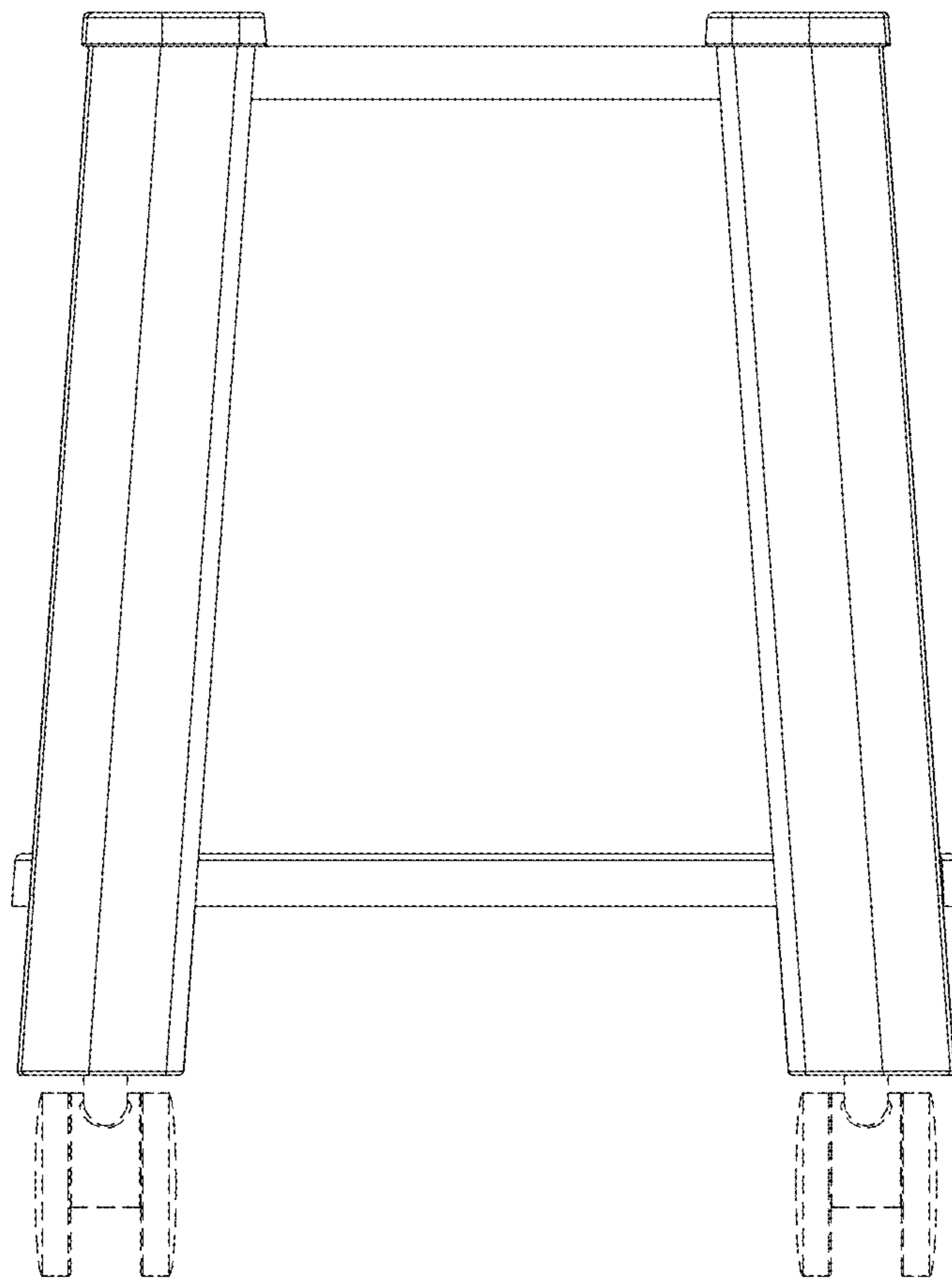


Fig. 5

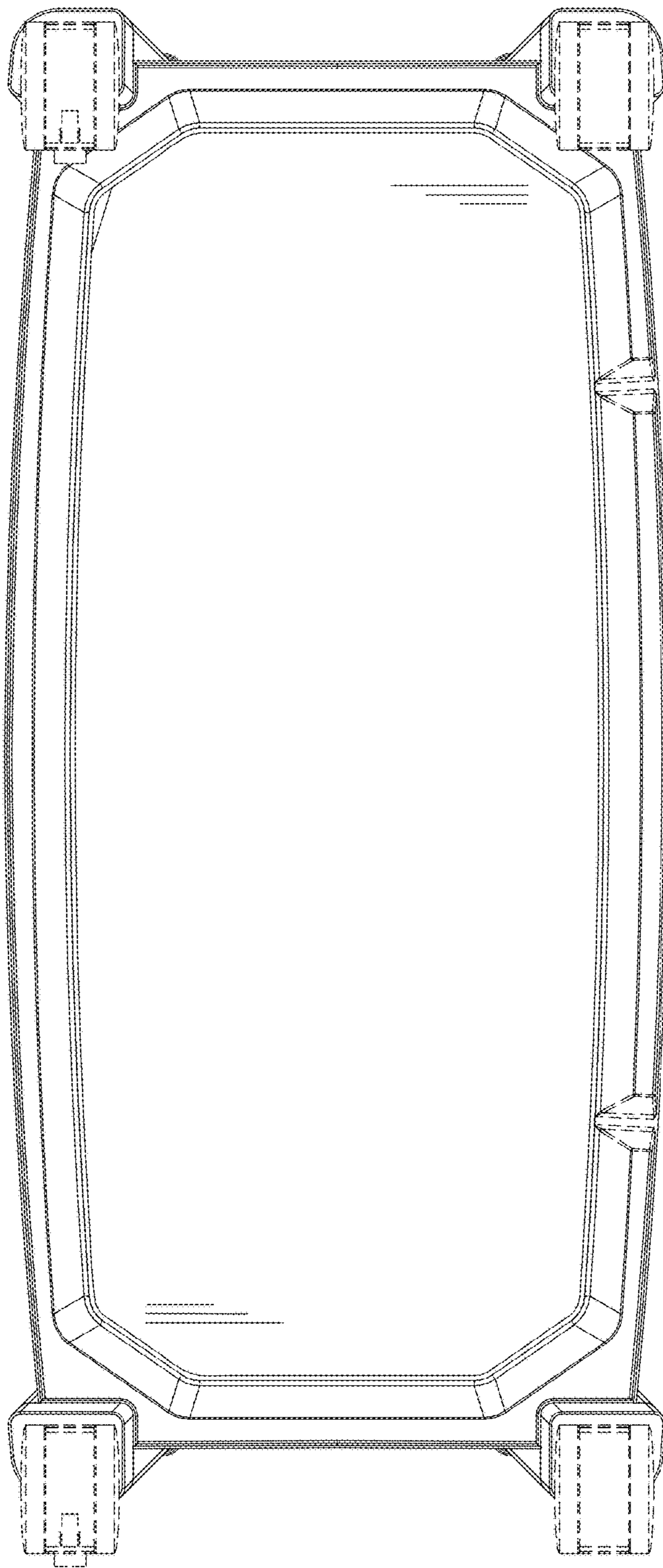


Fig. 6

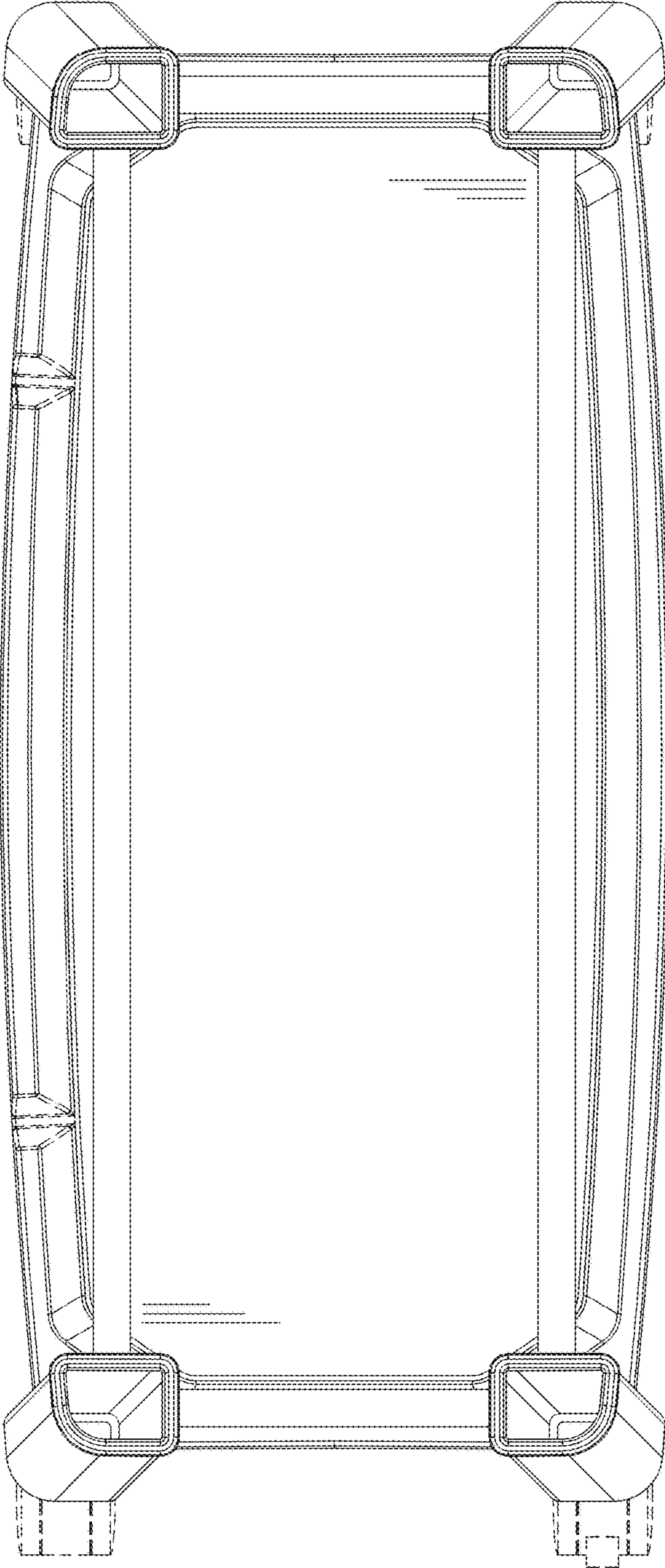


Fig. 7

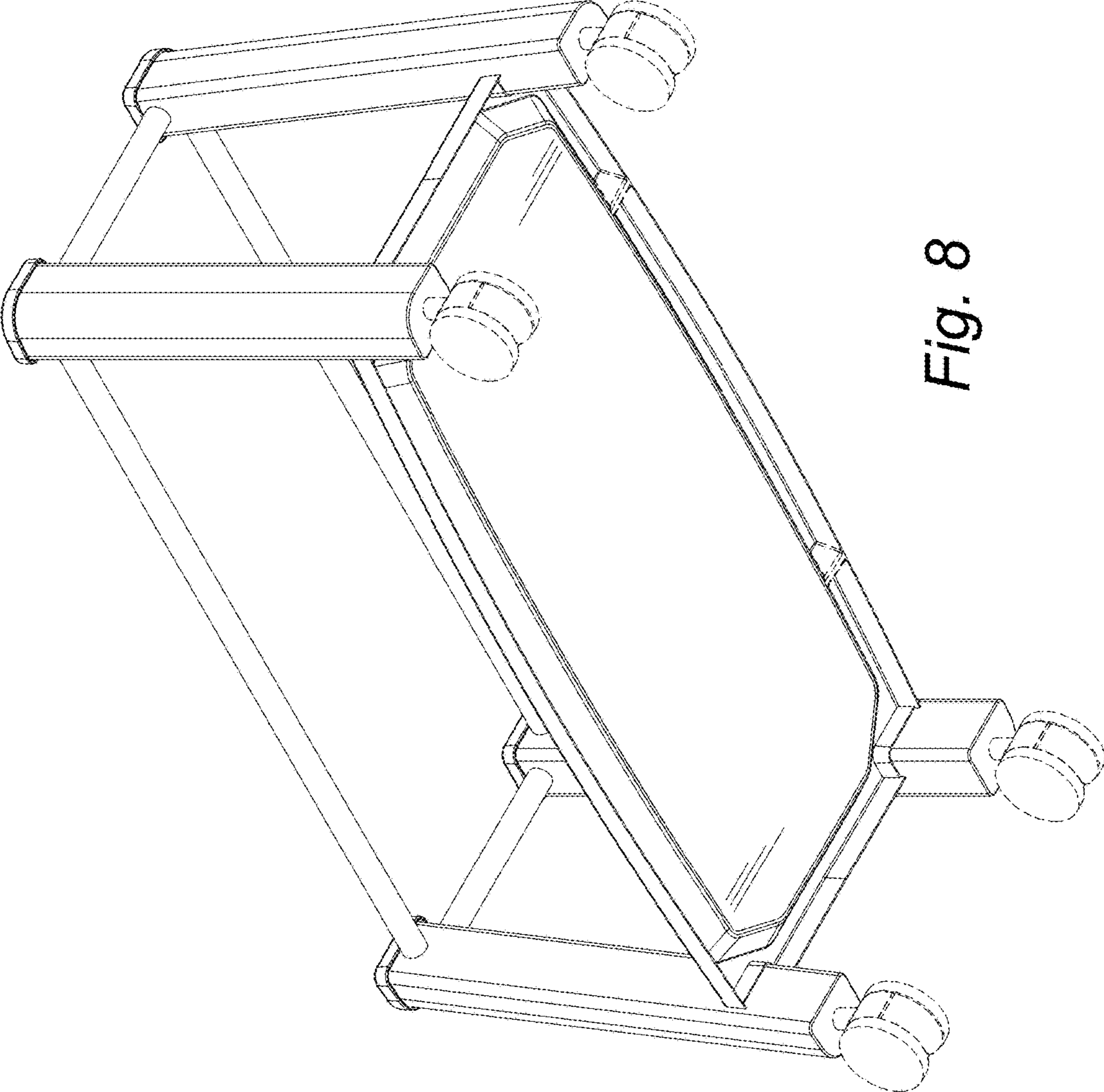


Fig. 8

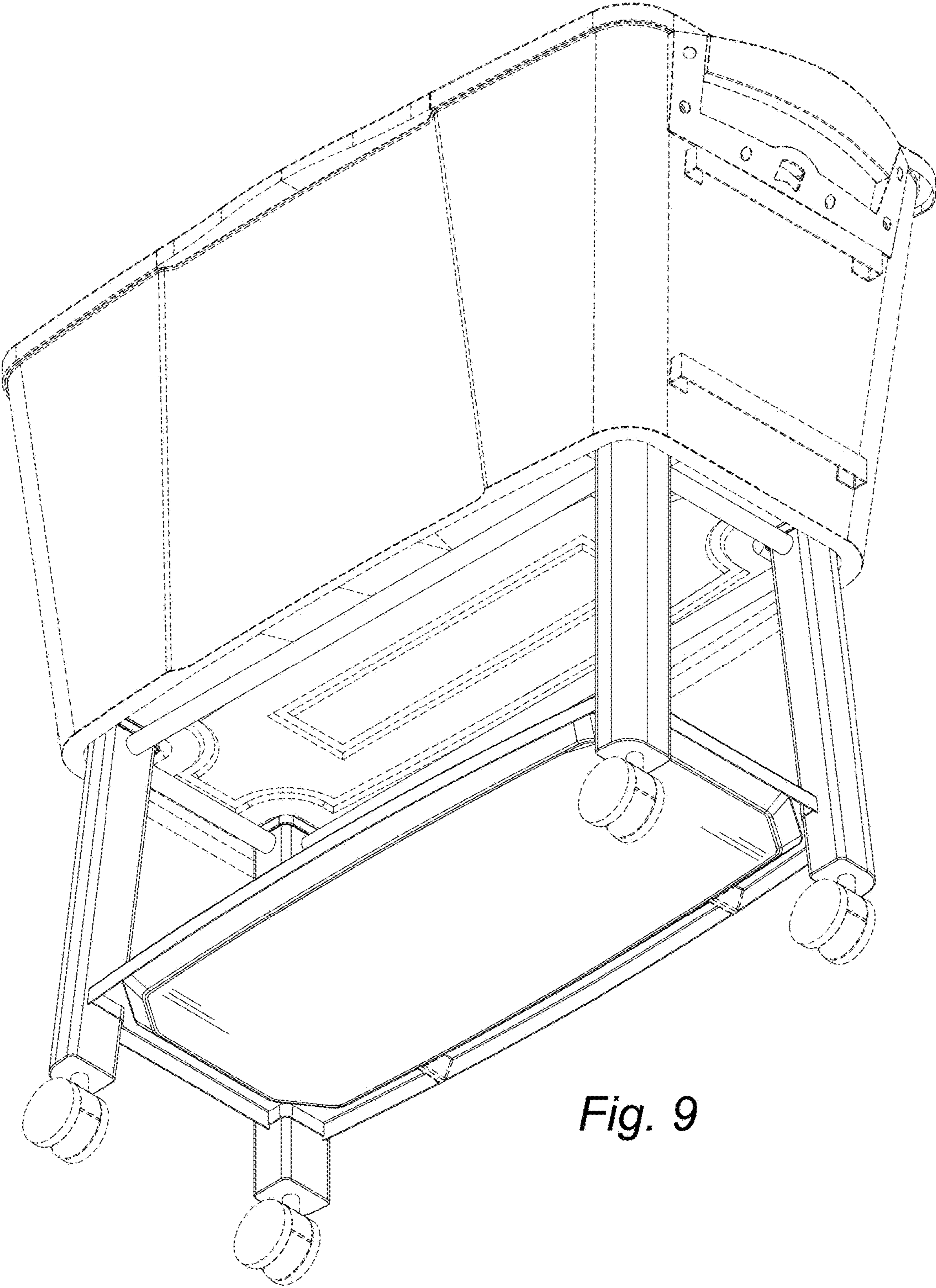


Fig. 9

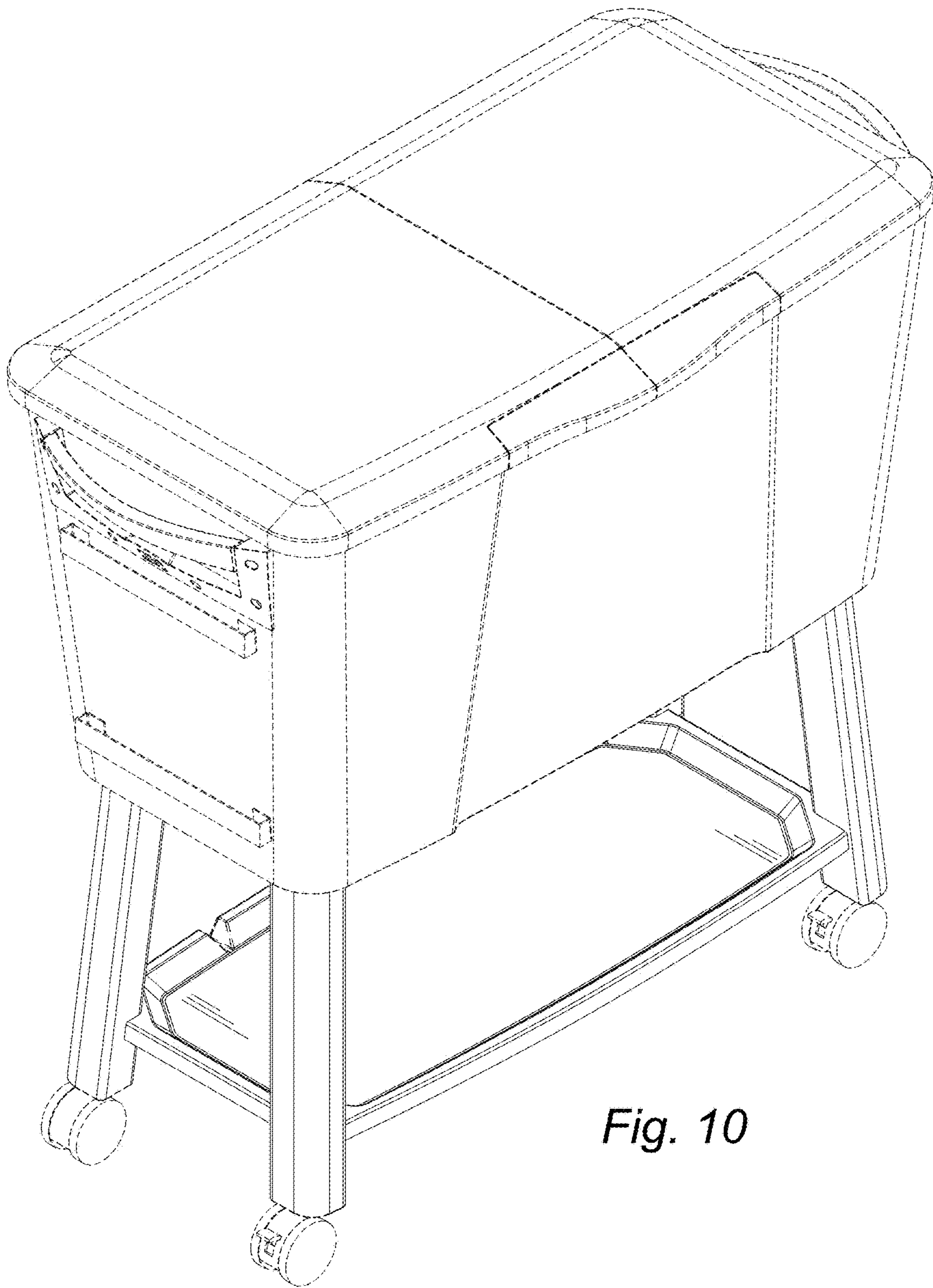


Fig. 10