

US00D838132S

(12) **United States Design Patent** (10) **Patent No.:** **US D838,132 S**
Kowalewski et al. (45) **Date of Patent:** **** Jan. 15, 2019**

(54) **TOASTER**

(71) Applicant: **KONINKLIJKE PHILIPS N.V.**,
Eindhoven (NL)
(72) Inventors: **Andreas Kowalewski**, Amsterdam
(NL); **Kristjan Juks**, Stockholm (SE)
(73) Assignee: **KONINKLIJKE PHILIPS N.V.**,
Eindhoven (NL)

(**) Term: **15 Years**

(21) Appl. No.: **35/503,128**

(22) Filed: **Dec. 6, 2016**

(80) **Hague Agreement Data**

Int. Filing Date: **Dec. 6, 2016**
Int. Reg. No.: **DM/093774**
Int. Reg. Date: **Dec. 6, 2016**
Int. Reg. Pub. Date: **Jun. 9, 2017**

(30) **Foreign Application Priority Data**

Jun. 14, 2016 (EM) 003189208-0001

(51) **LOC (11) Cl.** **07-02**

(52) **U.S. Cl.**
USPC **D7/330**

(58) **Field of Classification Search**

USPC D24/323, 328-330, 390
CPC A47J 37/00; A47J 37/06; A47J 37/0611;
A47J 37/08; A47J 37/0807; A47J
37/0814; A47J 37/0835; A47J 37/0842;
A47J 37/085; A47J 37/0864; A47J
37/0878; A47J 37/0885; A47J 37/0892;
A21B 2/00; F24C 15/10; F24C 15/102
See application file for complete search history.

(56) **References Cited**

U.S. PATENT DOCUMENTS

D428,759 S * 8/2000 Hughes D7/330
D470,355 S * 2/2003 Xie D7/330

D470,709 S * 2/2003 Starr D7/330
D492,536 S * 7/2004 Wong D7/330
D525,473 S * 7/2006 Brown D7/330
D551,488 S * 9/2007 Ting D7/330
D557,061 S * 12/2007 Genslak D7/330
D569,166 S * 5/2008 Borin D7/330
D593,357 S * 6/2009 Picozza D7/330
D608,134 S * 1/2010 Steiner D7/330
D615,343 S * 5/2010 Bock D7/330
D635,390 S * 4/2011 Duncan D7/330
D644,473 S * 9/2011 Pantaleo D7/330
D661,942 S * 6/2012 Palermo D7/330
D662,346 S * 6/2012 Choi D7/330
D688,508 S * 8/2013 Garman D7/330
D688,509 S * 8/2013 Carlson D7/330
D701,720 S * 4/2014 Palermo D7/330
D724,885 S * 3/2015 Kunz D7/330
D730,676 S * 6/2015 Palmer D7/330
D746,093 S * 12/2015 Bazzicalupo D7/330
D746,624 S * 1/2016 Sun D7/330
D758,780 S * 6/2016 Affatato D7/330

(Continued)

Primary Examiner — Darlington Ly

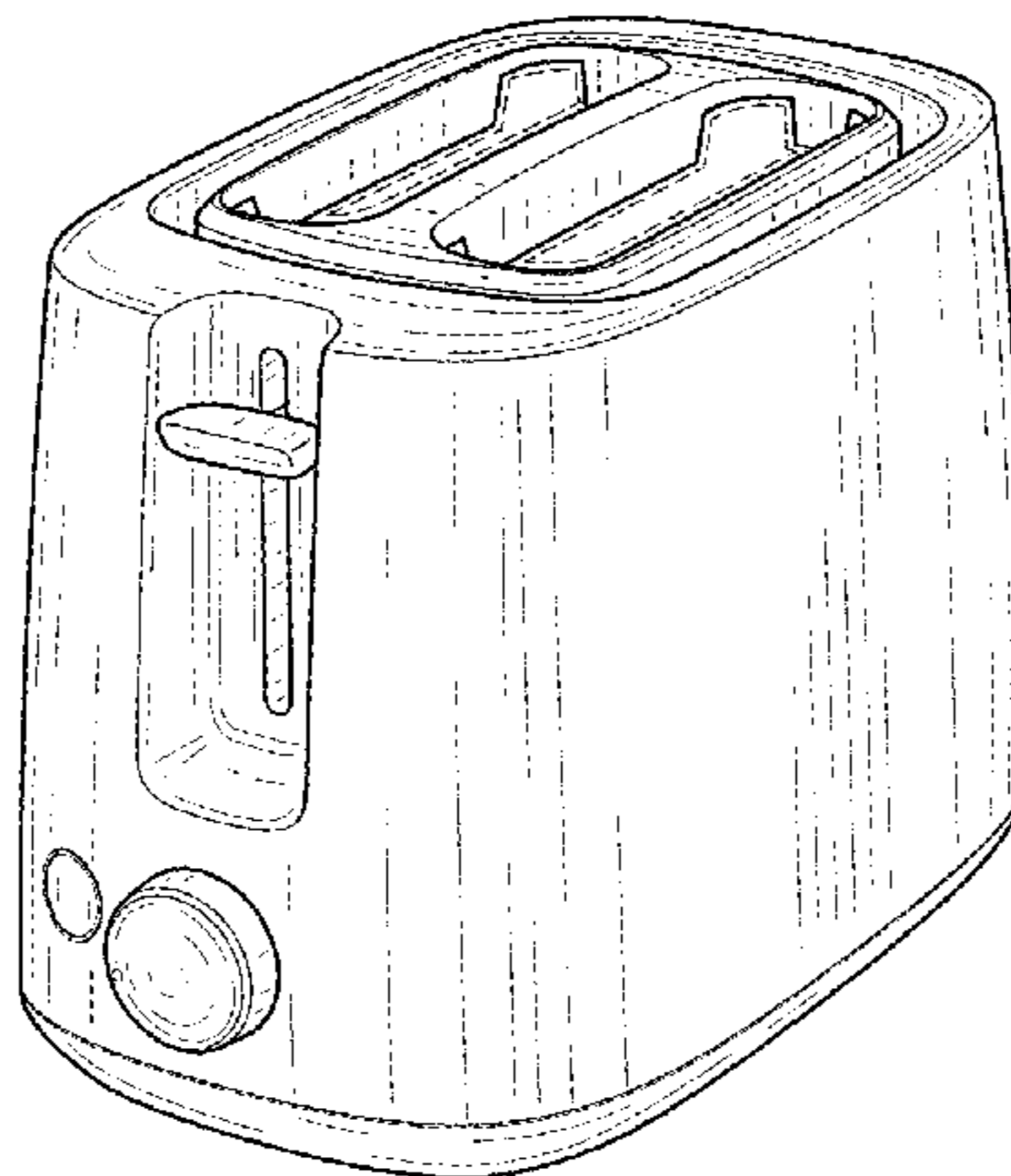
(57) **CLAIM**

The ornamental design for a toaster, as shown and described.

DESCRIPTION

1. Toaster
1.1 is a top, front, and left side perspective view of a toaster showing our new design;
1.2 is a front elevational view thereof;
1.3 is a rear elevational view thereof;
1.4 is a right side elevational view thereof;
1.5 is a left side elevational view thereof;
1.6 is a top plan view thereof; and
1.7 is a bottom plan view thereof.
The broken lines in the reproductions illustrate portions of the toaster that form no part of the claimed design.

1 Claim, 4 Drawing Sheets



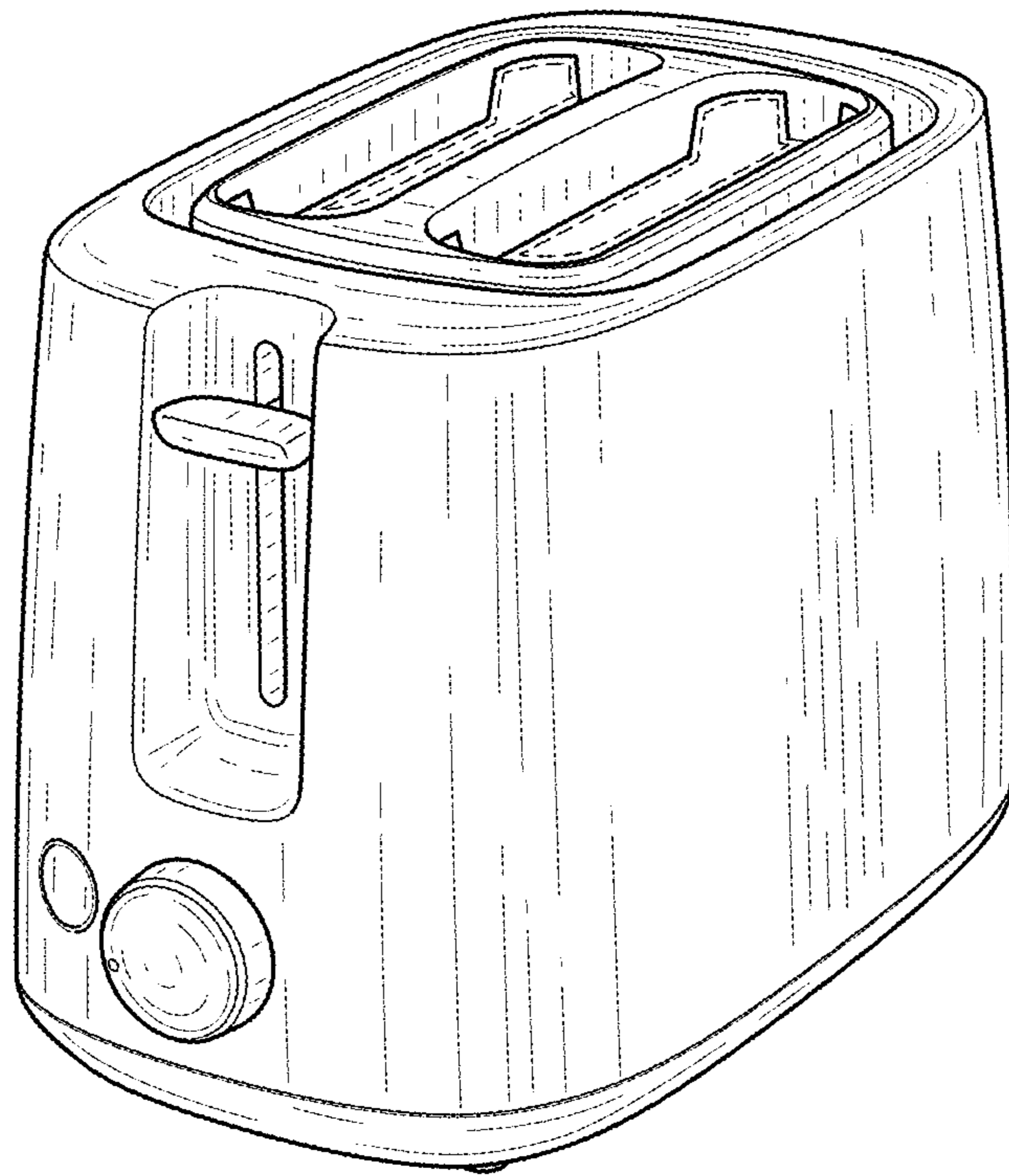
(56)

References Cited

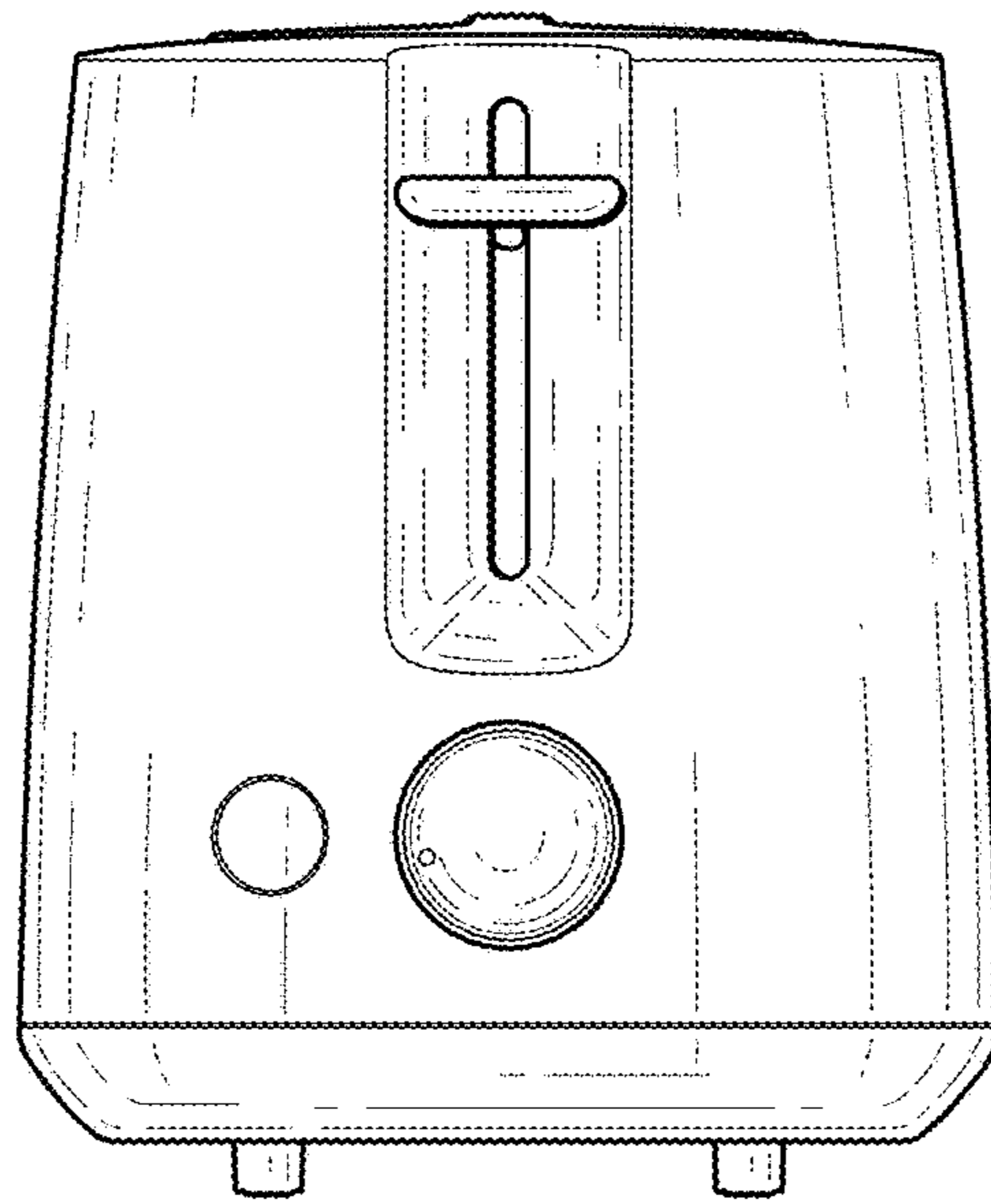
U.S. PATENT DOCUMENTS

D758,781 S *	6/2016	Yuan	D7/330
D759,417 S *	6/2016	Carpenter	D7/330
D761,610 S *	7/2016	Carpenter	D7/330
D765,456 S *	9/2016	Lee	D7/330
D796,890 S *	9/2017	De' Longhi	D7/330
D797,490 S *	9/2017	Averty	D7/330
D807,677 S *	1/2018	Ho	D7/330
D809,327 S *	2/2018	Chalk	D7/330
D814,223 S *	4/2018	Barquin	D7/330
2017/0208996 A1 *	7/2017	Li	A47J 37/08

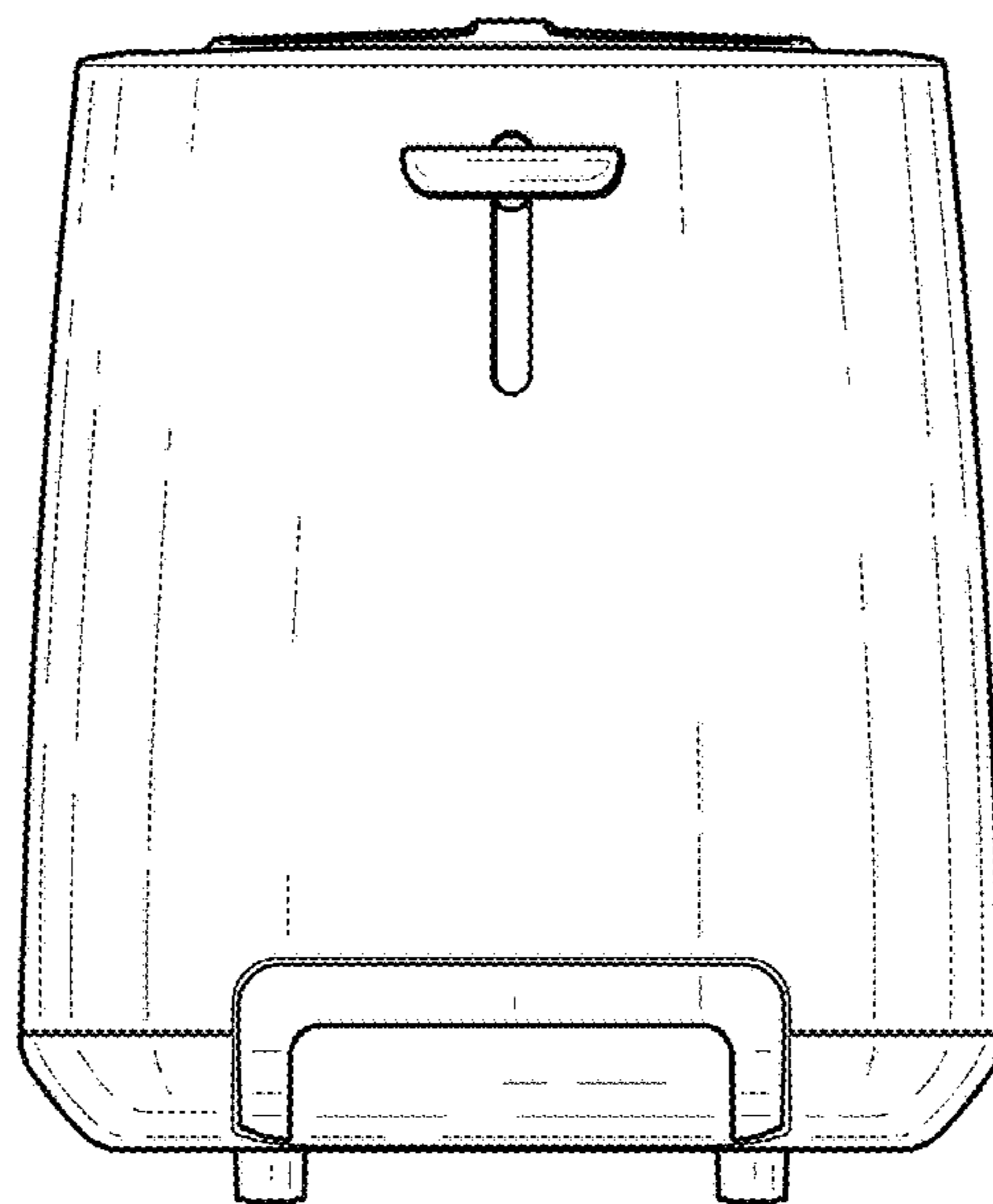
* cited by examiner



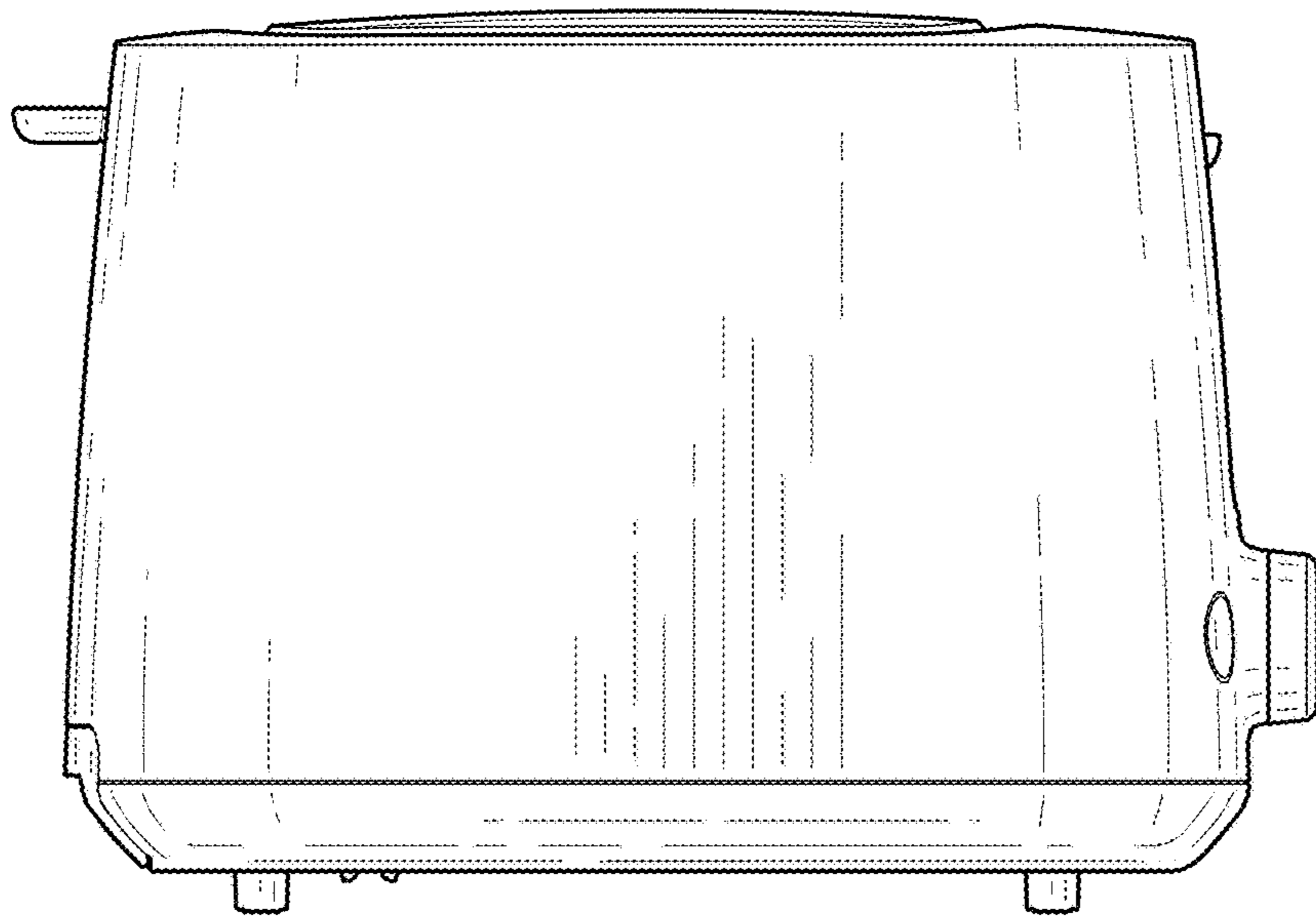
1.1



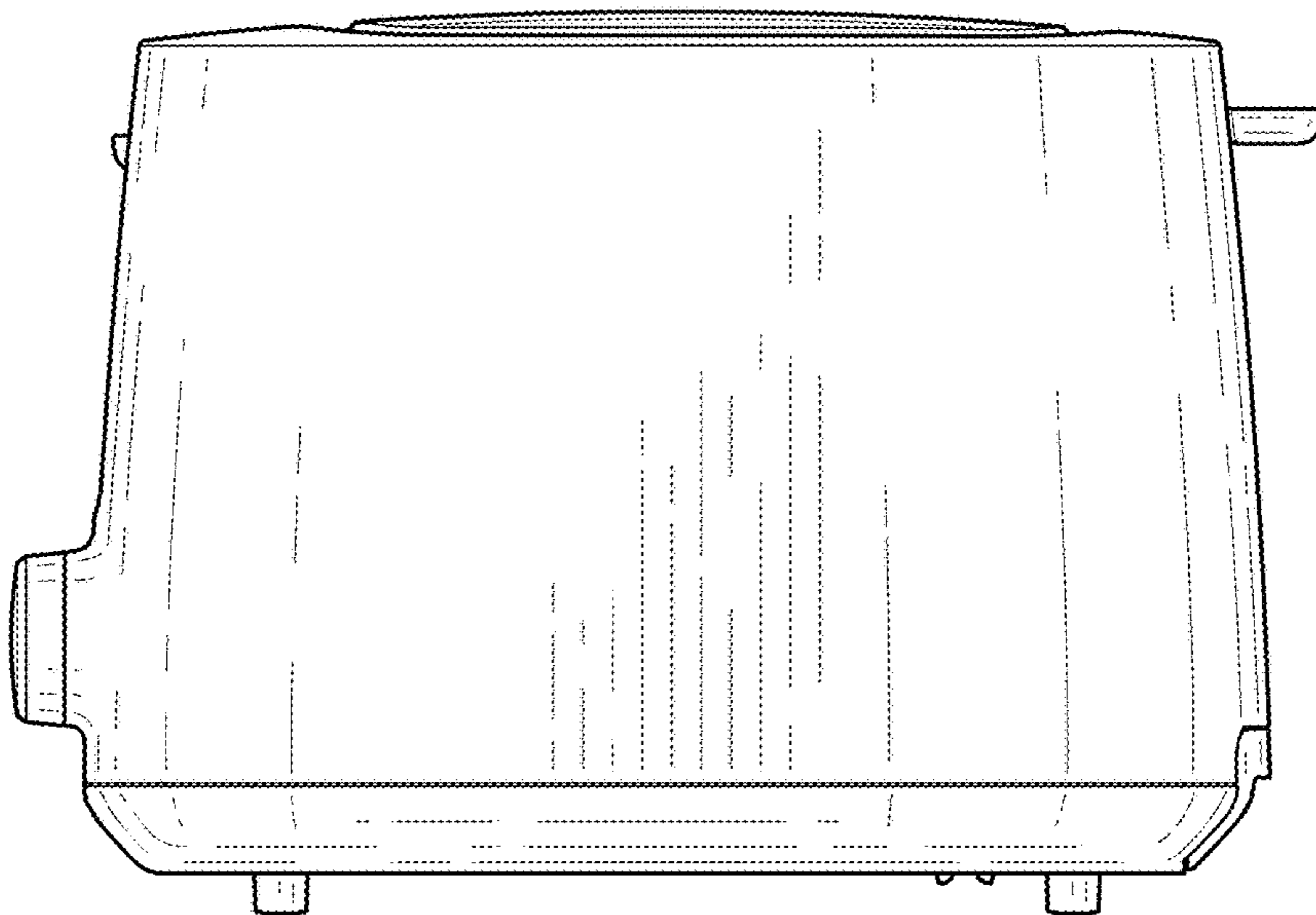
1.2



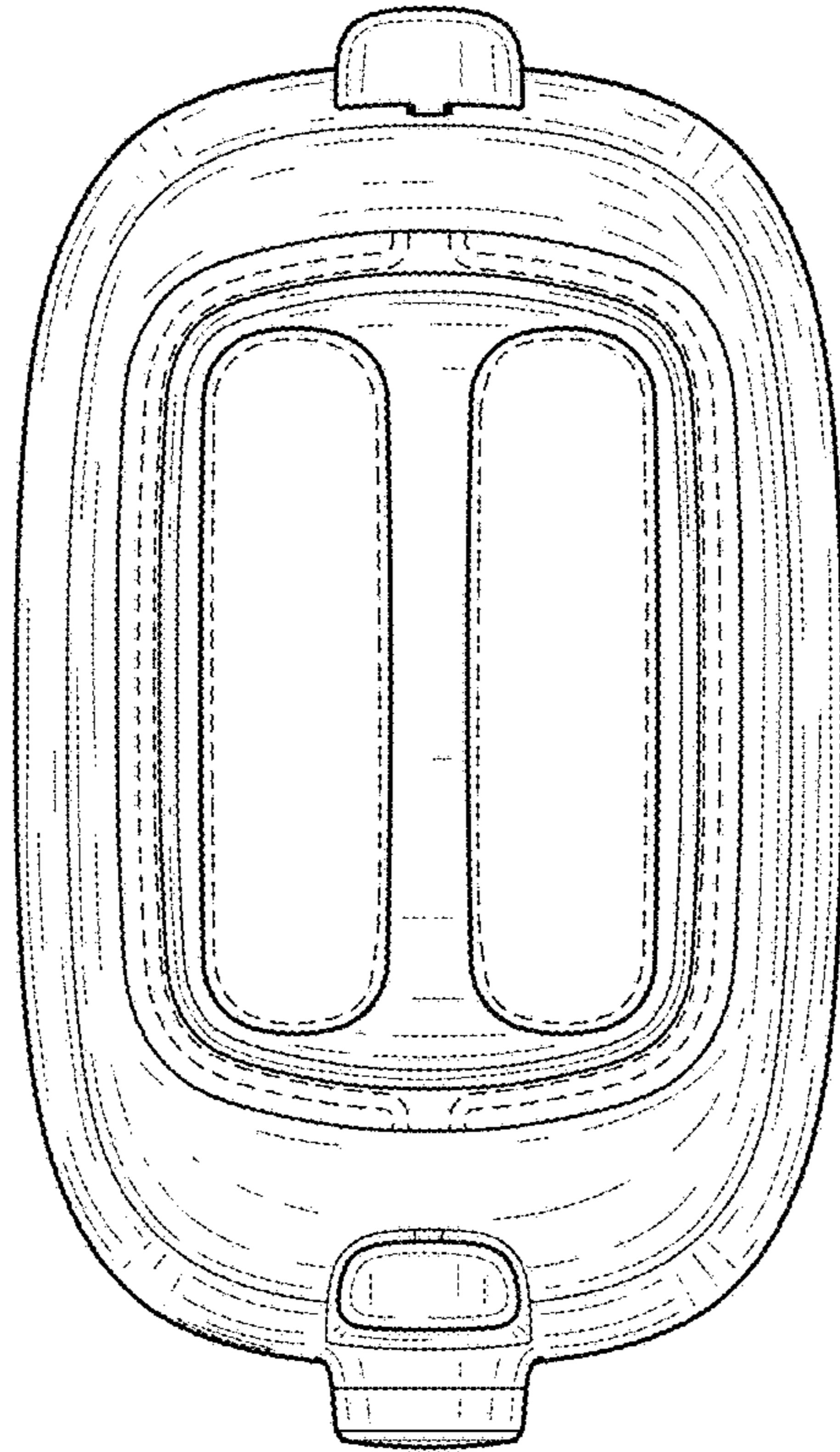
1.3



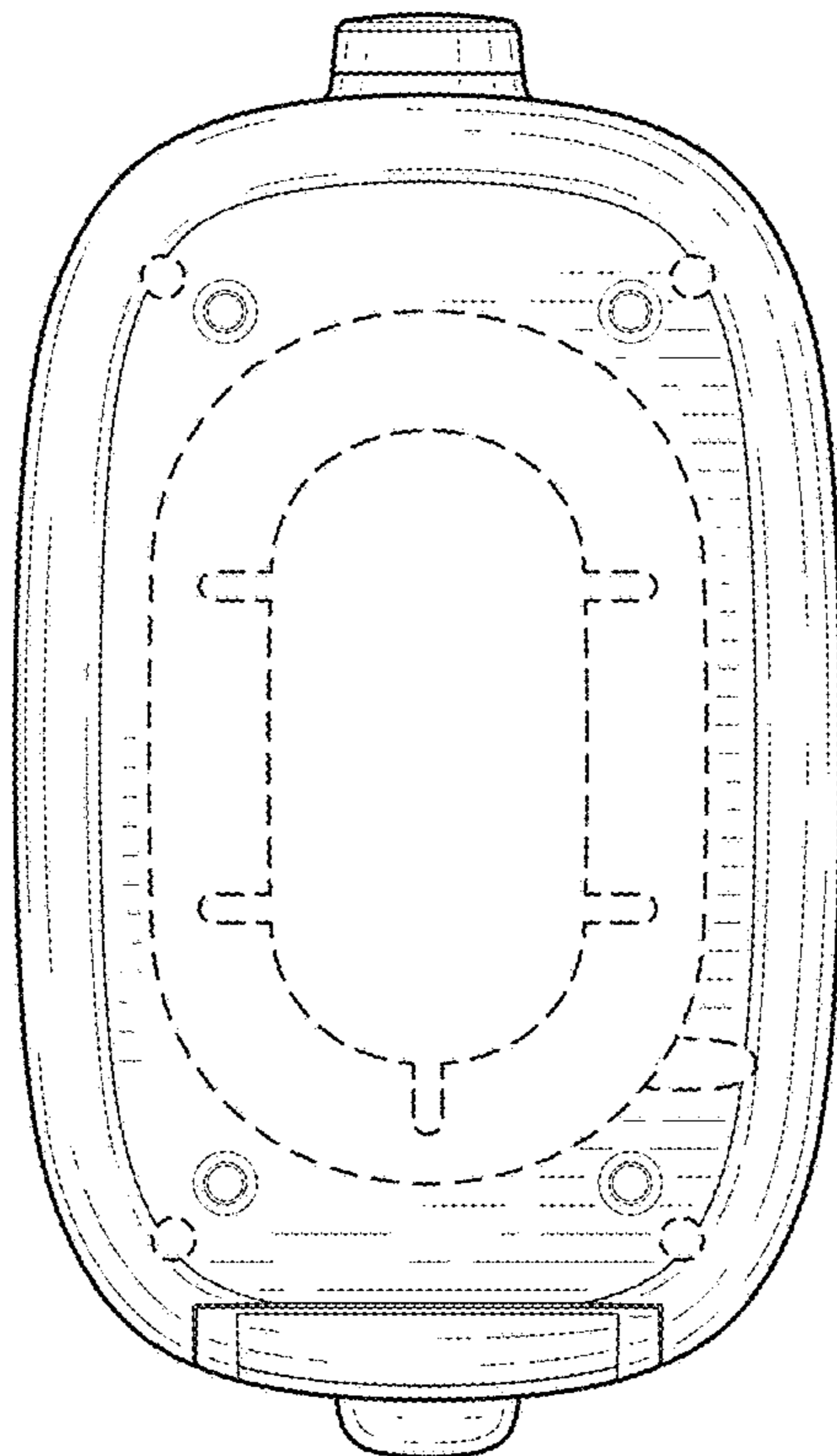
1.4



1.5



1.6



1.7