



US00D838131S

(12) **United States Design Patent**
Hung

(10) **Patent No.:** **US D838,131 S**
(45) **Date of Patent:** **** Jan. 15, 2019**

- (54) **FOLDABLE SUPPORT**
- (71) Applicant: **MODERNSOLID INDUSTRIAL CO., LTD.**, Taichung (TW)
- (72) Inventor: **Chin-Jui Hung**, Taichung (TW)
- (73) Assignee: **Modernsolid Industrial Co., Ltd.**, Taichung (TW)
- (**) Term: **15 Years**
- (21) Appl. No.: **29/618,412**
- (22) Filed: **Sep. 21, 2017**

8,839,725 B2 * 9/2014 Kooistra A47B 9/00
108/147
D720,948 S * 1/2015 Gonzalez D6/656.13
D770,814 S * 11/2016 Davidson D6/656.15
(Continued)

- (30) **Foreign Application Priority Data**
May 26, 2017 (TW) 106302852
- (51) **LOC (11) Cl.** **06-06**
- (52) **U.S. Cl.**
USPC **D6/708.17**
- (58) **Field of Classification Search**
USPC D6/353, 368, 642, 655-655.23, 656,
D6/656.1, 656.11, 656.12, 656.13, 656.14,
D6/656.15, 656.16, 656.17, 656.18,
D6/656.19, 663, 686, 687, 691, 691.1,
D6/691.9, 698, 707.19, 708, 708.17,
D6/709.17; D13/19
CPC ... A47B 23/002; A47B 23/041; A47B 23/001;
A47B 87/002; A47B 13/10; A47B
17/065; A47B 3/02; A47B 9/16; A47B
2003/025; A47B 9/04; A47B 9/00; A47B
9/02; A47B 9/10; A47B 9/12; A47G
23/0608; B60N 3/002
See application file for complete search history.

OTHER PUBLICATIONS

41IMThlpySL, posted at Ecx.images-amazon.com, posted on Aug. 26, 2014, site visited Sep. 21, 2018. online, available from internet: http://ecx.images-amazon.com/images/I/41IMThlpySL._SL160_.jpg.*

(Continued)

Primary Examiner — Mary Ann Calabrese
Assistant Examiner — Catherine Ho
(74) *Attorney, Agent, or Firm* — Michael Best & Friedrich LLP

(57) **CLAIM**

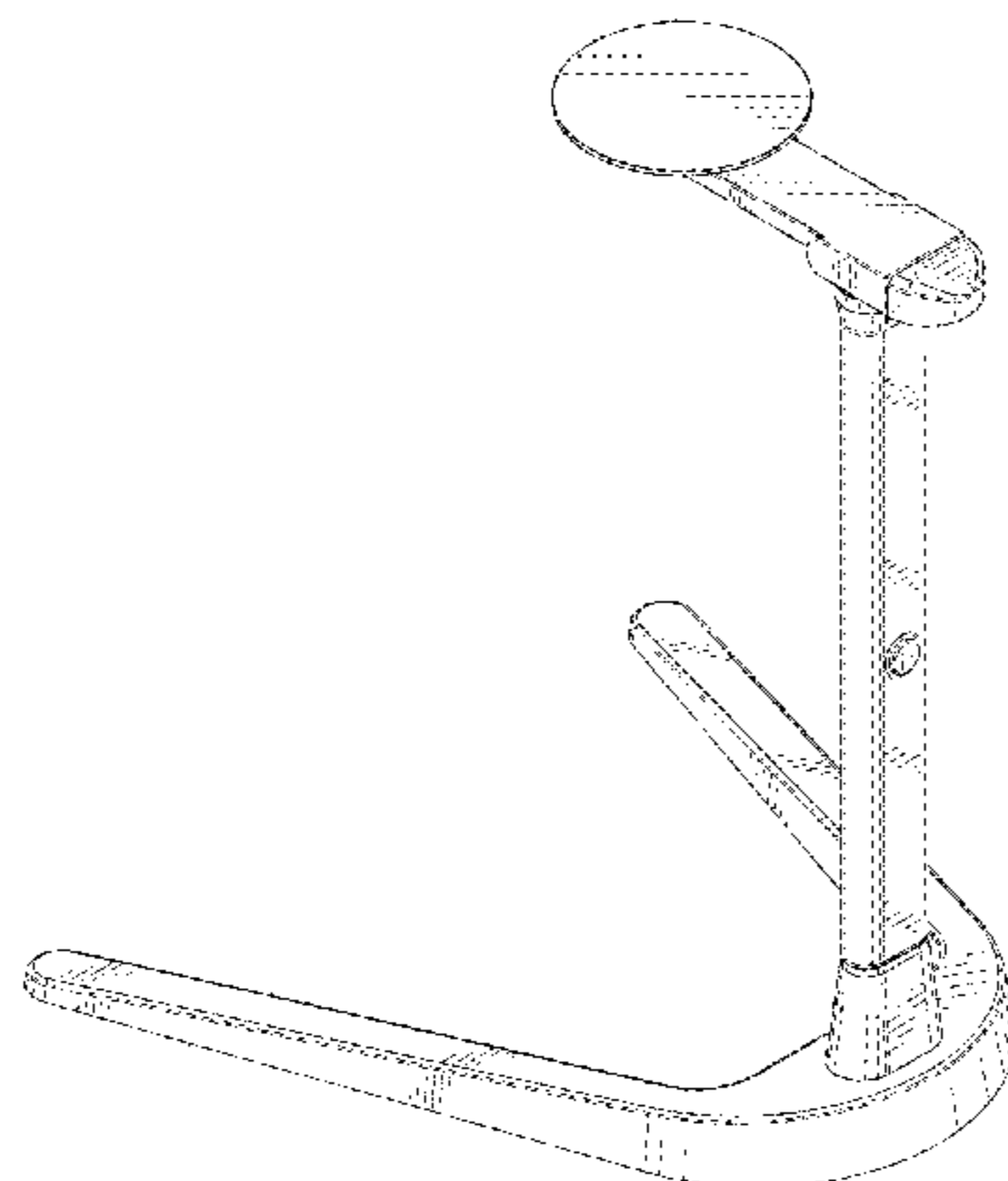
The ornamental design for a foldable support, as shown and described.

DESCRIPTION

FIG. 1 is a perspective view of a foldable support showing my new design;
FIG. 2 is a front elevational view thereof;
FIG. 3 is a rear elevational view thereof;
FIG. 4 is a left side elevational view thereof;
FIG. 5 is a right side elevational view thereof;
FIG. 6 is a top plan view thereof;
FIG. 7 is a bottom plan view thereof;
FIG. 8 is a perspective view showing the foldable support in a state of use;
FIG. 9 is another perspective view thereof, shown in a folded position; and,
FIG. 10 is another perspective view of the foldable support shown in an environment of use.
The broken lines are for illustrating environment structure only and form no part of the claimed design.

1 Claim, 10 Drawing Sheets

- (56) **References Cited**
U.S. PATENT DOCUMENTS
D687,656 S * 8/2013 Copeland D6/656.15
D691,840 S * 10/2013 Copeland D6/656.15
D694,044 S * 11/2013 Copeland D6/656.15



(56)

References Cited

U.S. PATENT DOCUMENTS

D782,230 S * 3/2017 Wong D6/686
D817,651 S * 5/2018 Siebert D6/353
D819,370 S * 6/2018 Lenhart D6/656.13
2013/0284077 A1 * 10/2013 Copeland A47B 3/00
108/117
2014/0102340 A1 * 4/2014 Kooistra A47B 9/00
108/105
2018/0228279 A1 * 8/2018 Guzman A47B 21/02

OTHER PUBLICATIONS

Kitchen Tablet Mount Stand, posted at Amazon.com, posted on Jan. 9, 2016, site visited Sep. 21, 2018. online, available from internet: <https://www.amazon.com/Kitchen-iKross-CounterTop-Desktop-Nintendo/dp/B01AGYIAZ6>.*

* cited by examiner

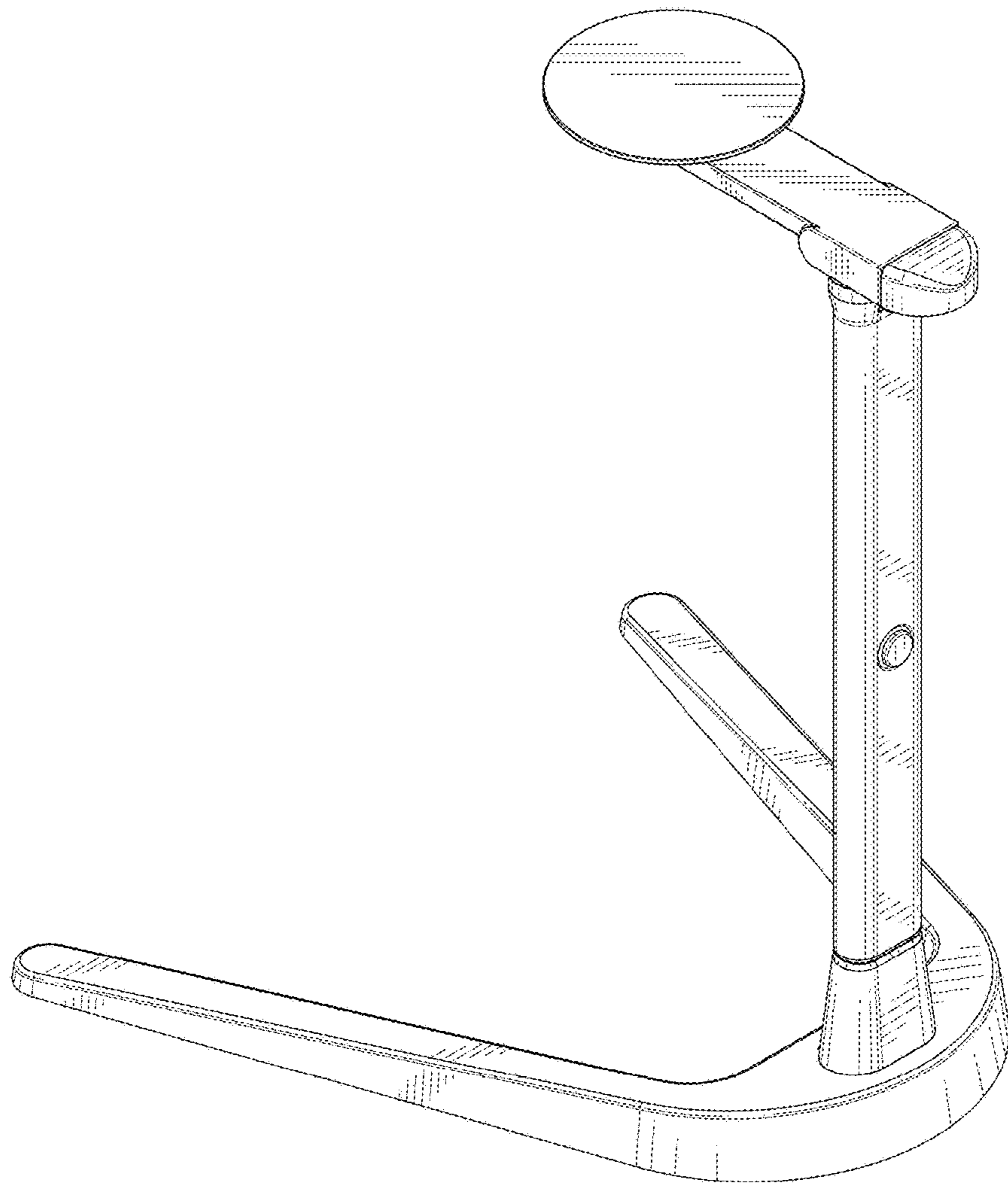


FIG.1

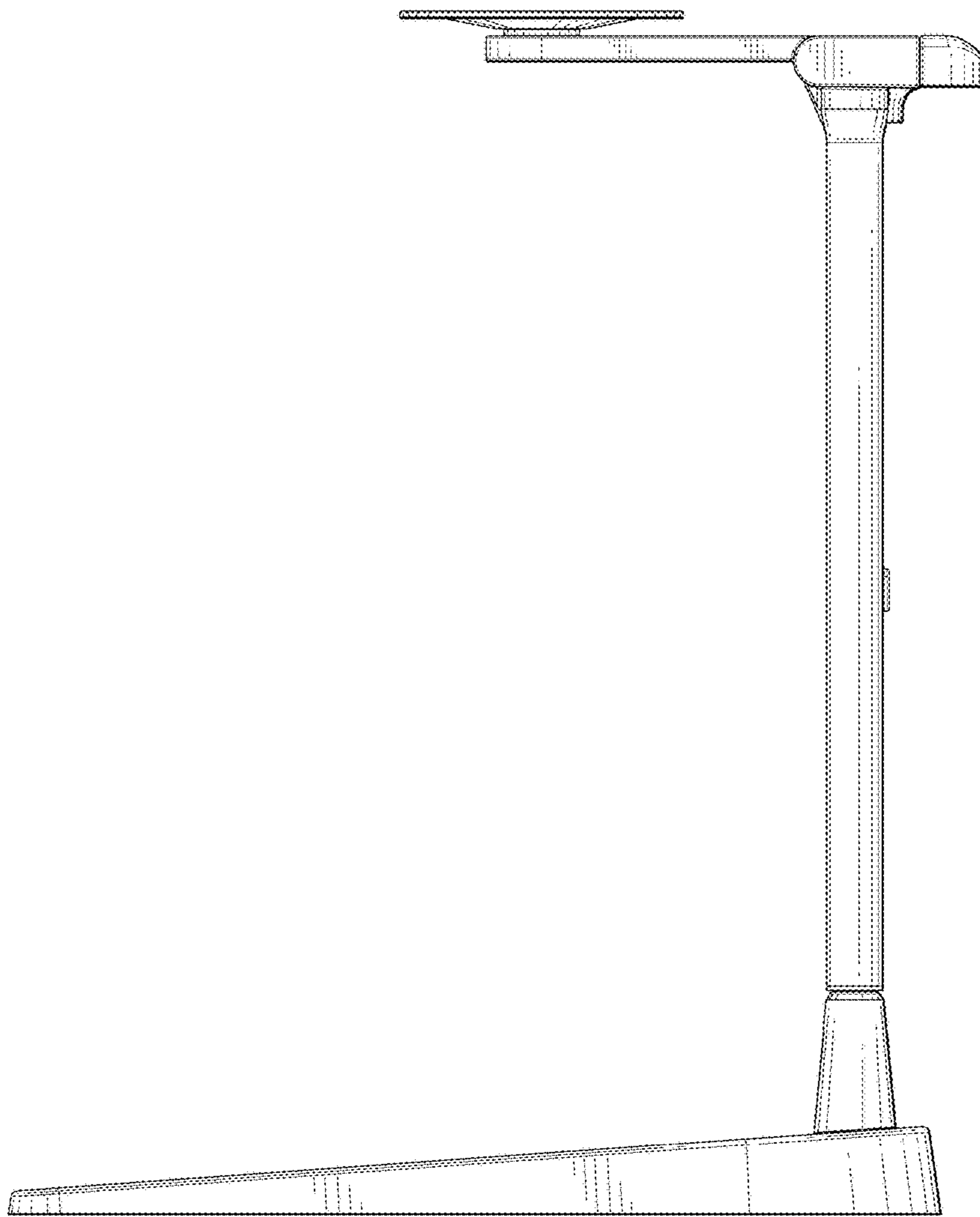


FIG.2

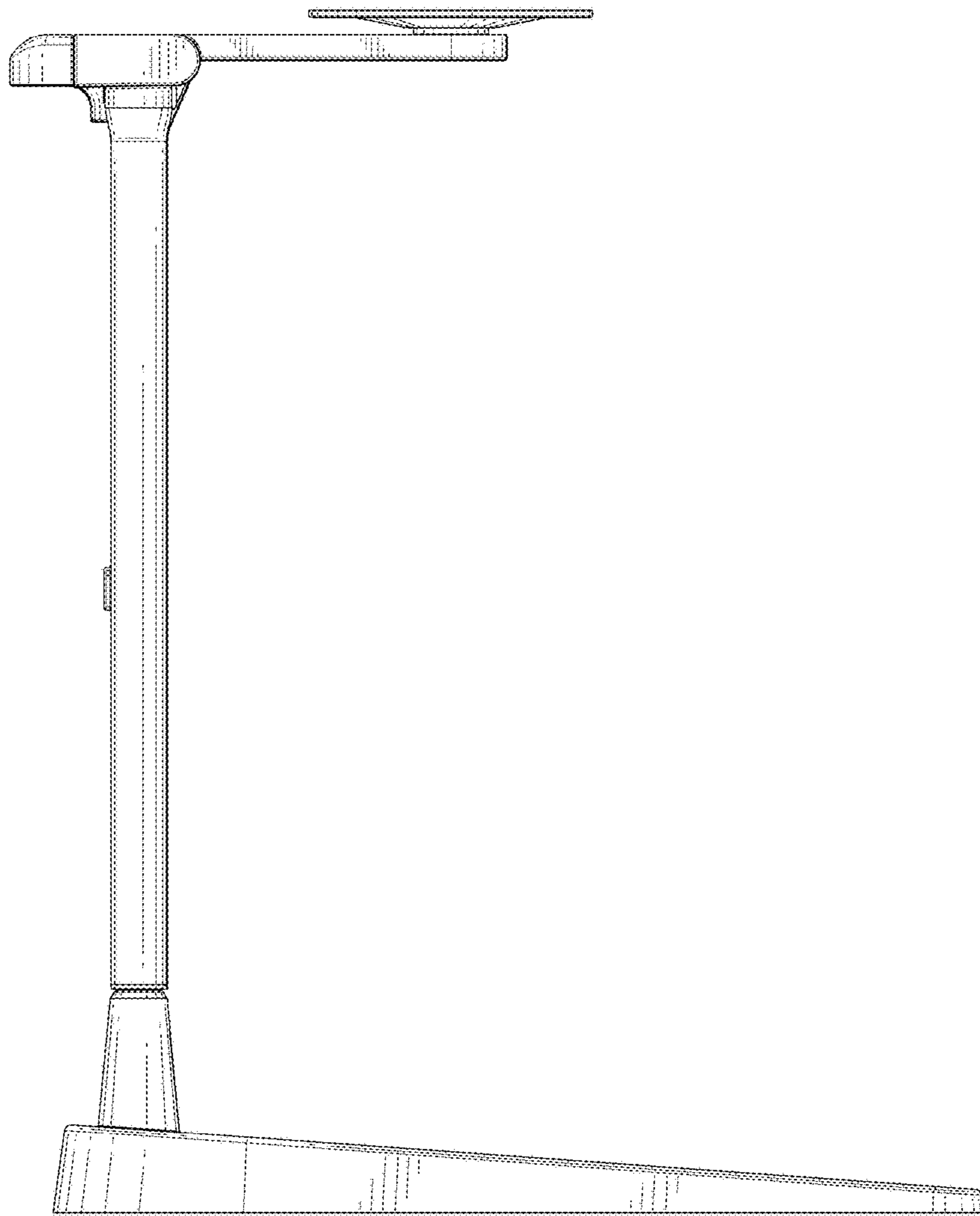


FIG.3

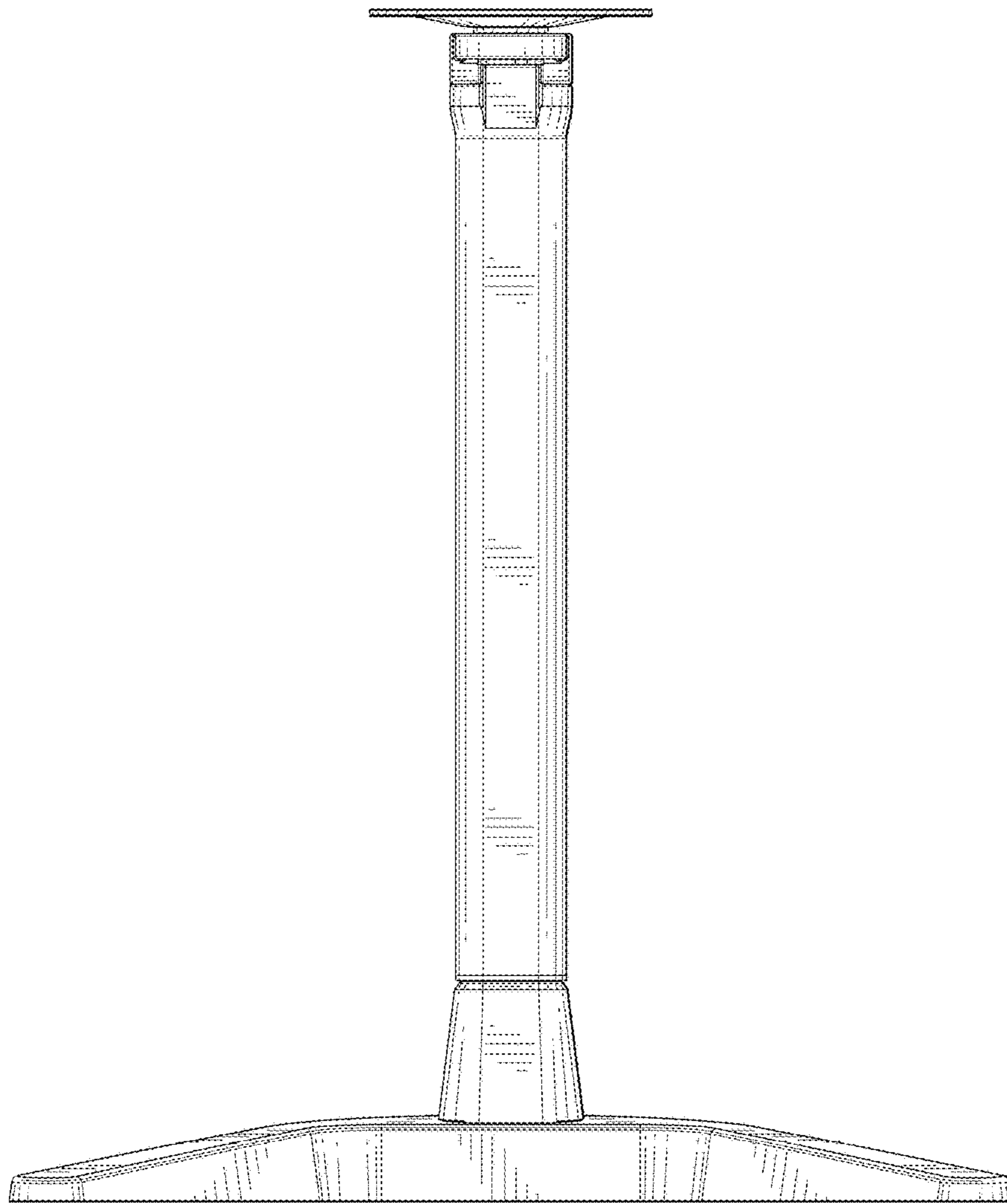


FIG. 4

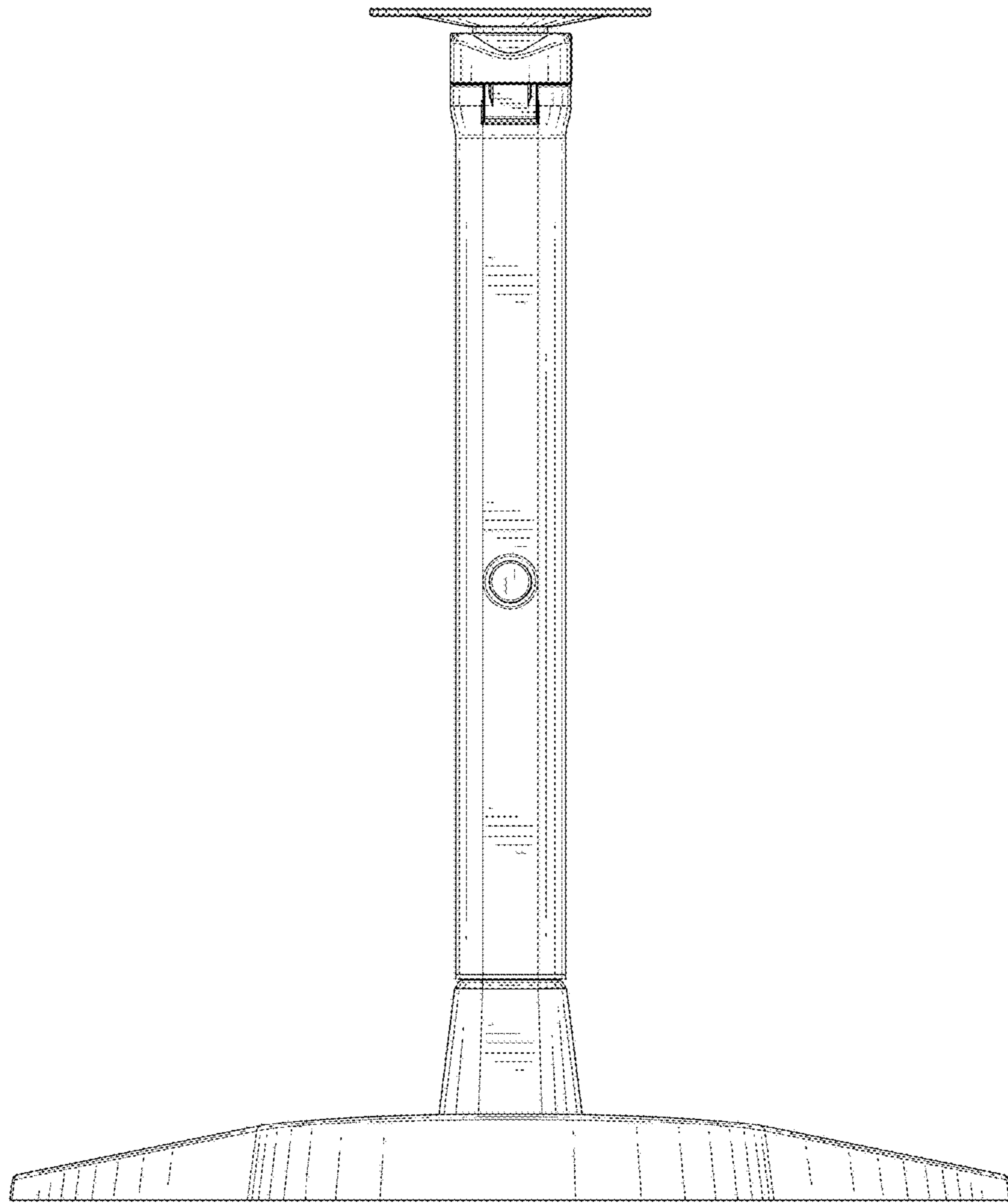


FIG.5

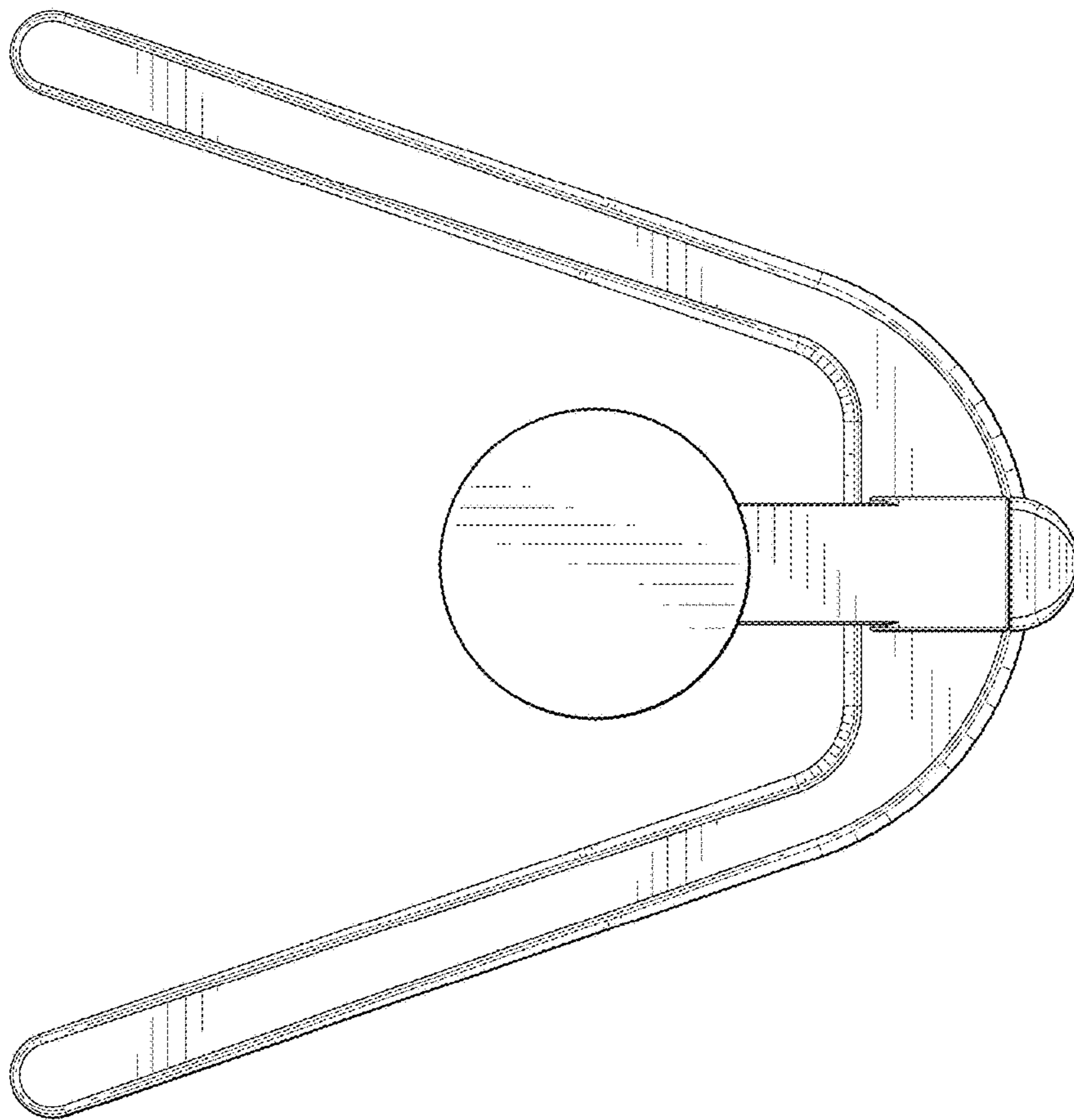


FIG.6

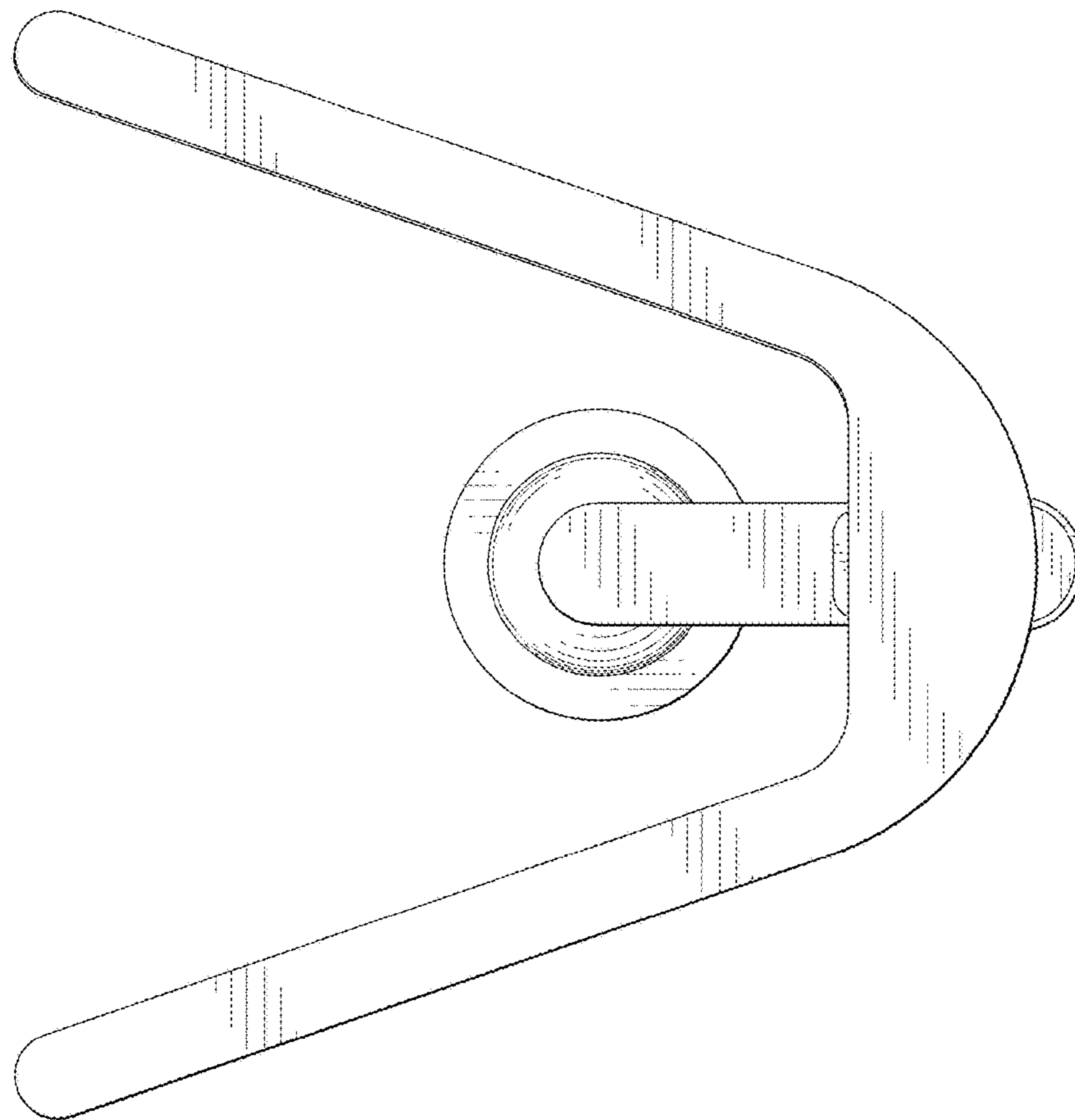


FIG. 7

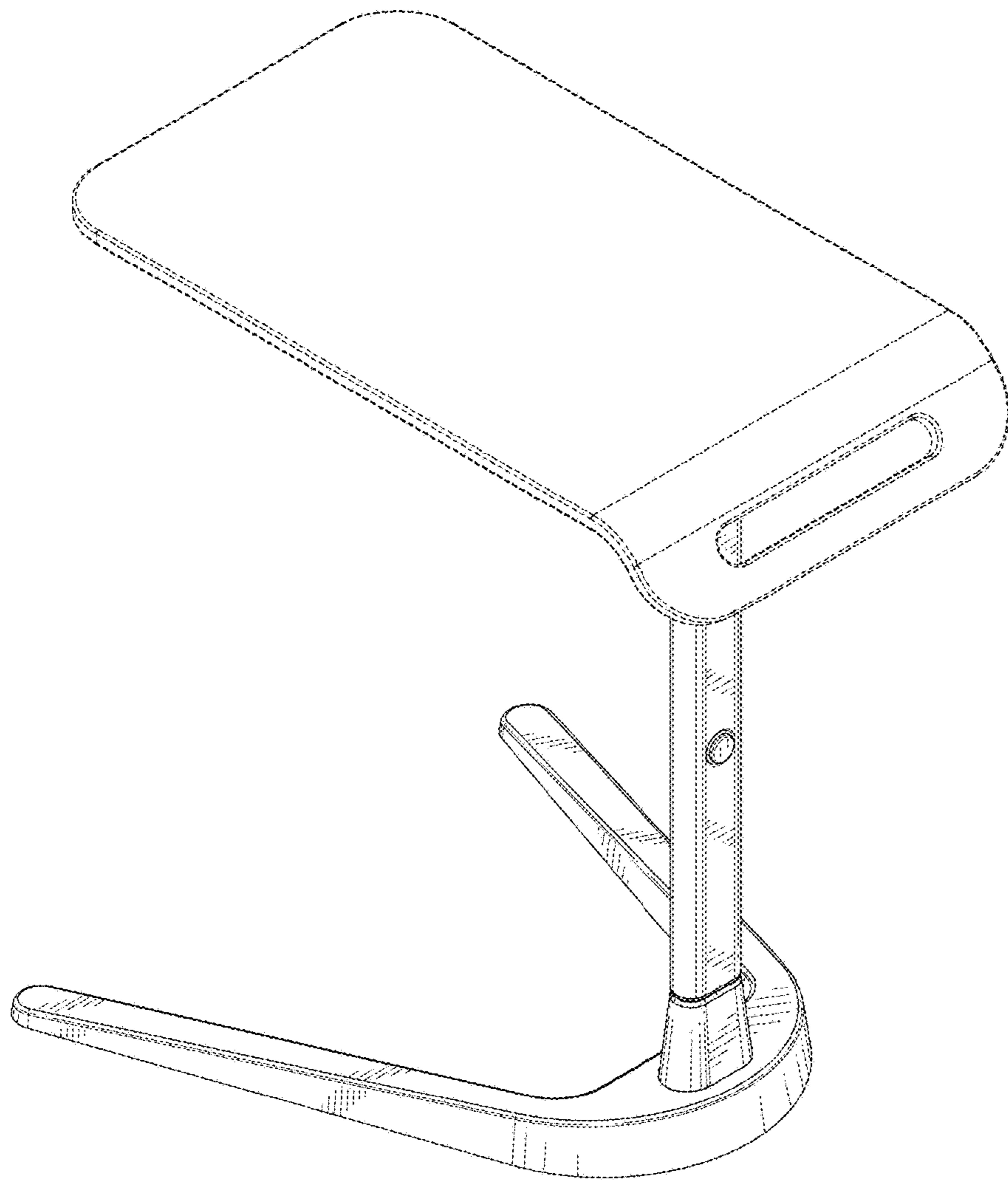


FIG.8

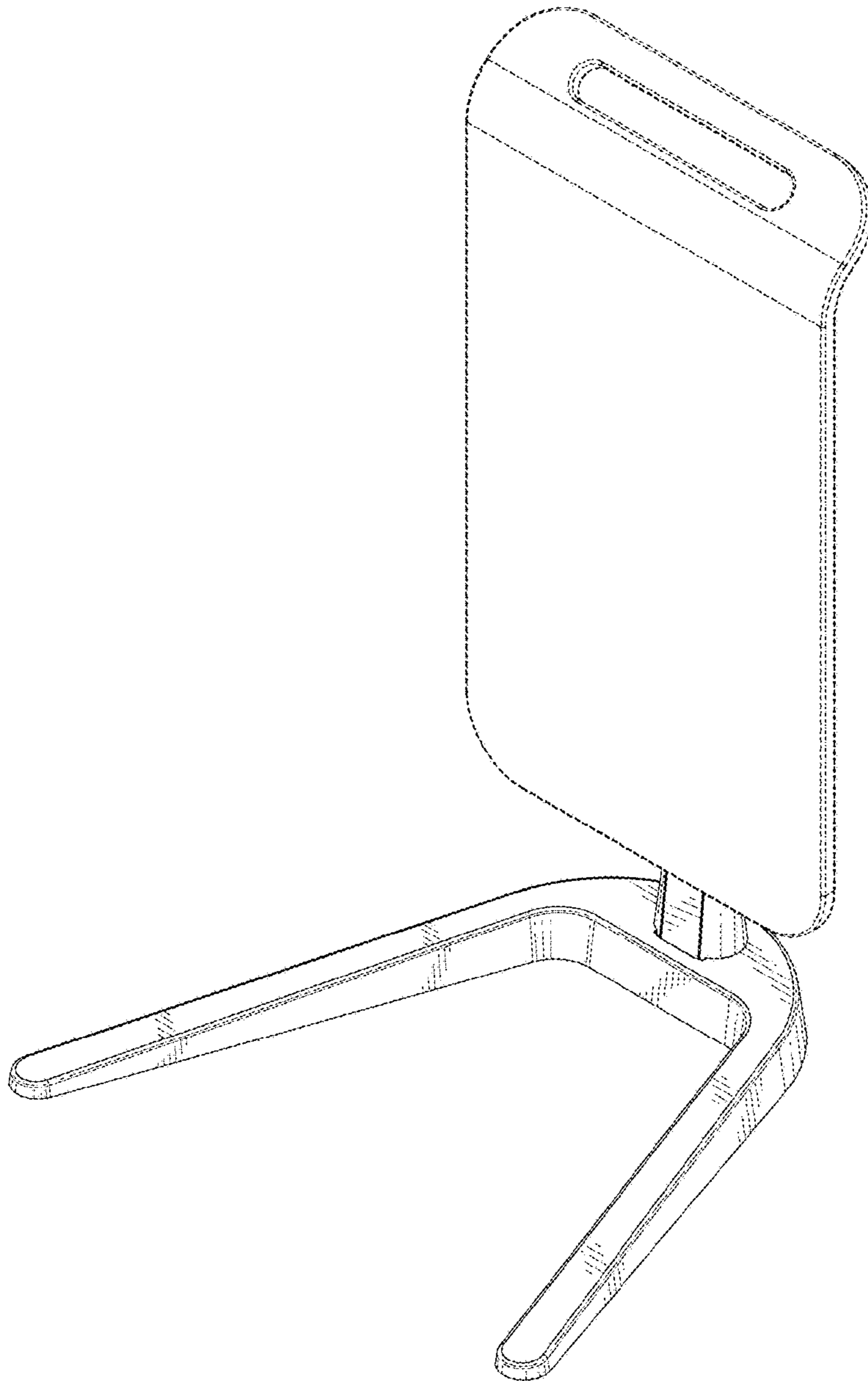


FIG.9

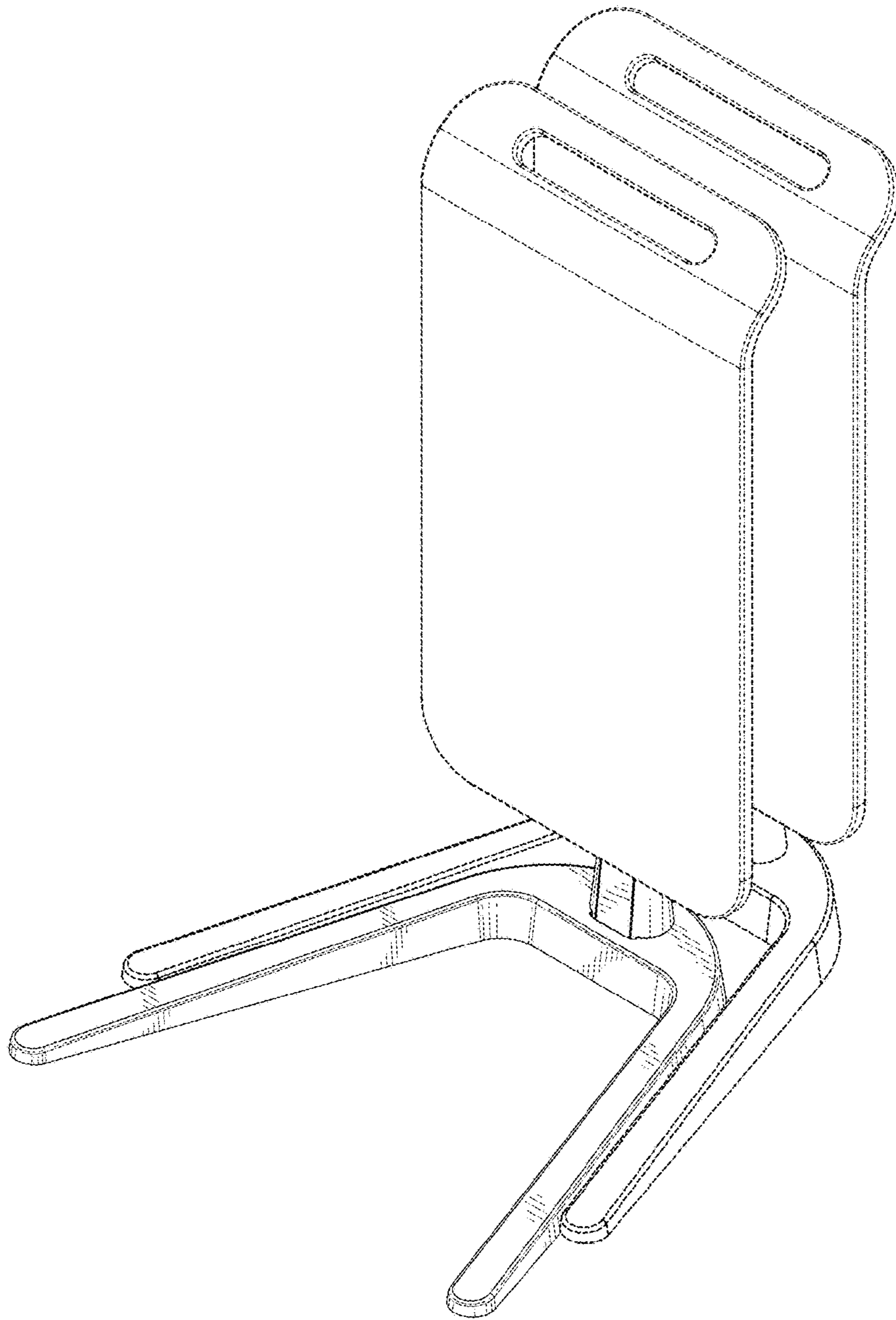


FIG.10