



US00D838130S

(12) **United States Design Patent** (10) **Patent No.:** **US D838,130 S**  
**Yang** (45) **Date of Patent:** **\*\* Jan. 15, 2019**

(54) **FURNITURE POST**  
 (71) Applicant: **Lei Yang**, City of Industry, CA (US)  
 (72) Inventor: **Lei Yang**, City of Industry, CA (US)  
 (73) Assignee: **Furniture of AMERICA, Inc.**, City of Industry, CA (US)  
 (\*\*) Term: **15 Years**

3,391,660 A \* 7/1968 Stewart ..... A47B 3/00  
 108/150  
 3,838,838 A \* 10/1974 Seaman, Jr. .... A47G 33/12  
 248/188.7  
 4,061,302 A \* 12/1977 Boone ..... F16M 11/38  
 248/170  
 4,566,661 A \* 1/1986 Mestler ..... A47B 3/00  
 108/150  
 4,604,956 A \* 8/1986 Grebel  
 2017/0127820 A1\* 5/2017 Bortolato ..... A47B 1/05

(21) Appl. No.: **29/595,596**  
 (22) Filed: **Feb. 28, 2017**  
 (51) **LOC (11) Cl.** ..... **06-06**  
 (52) **U.S. Cl.**  
 USPC ..... **D6/708.17**; D6/692.4  
 (58) **Field of Classification Search**  
 USPC ..... D6/685, 686, 688.21, 688.22, 688.23,  
 D6/688.26, 688.27, 692, 692.1, 692.2,  
 D6/692.3, 692.4, 692.5, 692.6, 692.7,  
 D6/692.8, 702, 707.17, 707.18, 707.2,  
 D6/707.22, 708, 708.16, 708.17, 708.2,  
 D6/708.22  
 CPC .... A47B 1/00; A47B 3/00; A47B 3/02; A47B  
 7/00; A47B 9/00; A47B 13/00; A47B  
 13/02; A47B 21/00; A47B 2013/024;  
 A47B 2013/025; A47B 2013/026; A47B  
 2200/00; A47B 13/081; A47B 13/10  
 See application file for complete search history.

(56) **References Cited**  
 U.S. PATENT DOCUMENTS  
 300,834 A \* 6/1884 Barrie ..... F16M 11/28  
 248/171  
 2,238,708 A \* 4/1941 Russell ..... F16M 11/30  
 248/188.7  
 D142,434 S \* 9/1945 Lundy ..... D6/692.4  
 3,064,932 A \* 11/1962 Holderman ..... F16M 11/28  
 248/171

OTHER PUBLICATIONS

Post Lift Tables, posted at Prestolifts.com, posted on Feb. 5, 2016, site visited Jan. 31, 2018. online, available from internet: [https://web.archive.org/web/20160205143940/http://prestolifts.com/products/post-lift-tables.\\*](https://web.archive.org/web/20160205143940/http://prestolifts.com/products/post-lift-tables.*)

(Continued)

*Primary Examiner* — Mary Ann Calabrese  
*Assistant Examiner* — Catherine Ho  
 (74) *Attorney, Agent, or Firm* — Raymond Y. Chan;  
 David and Raymond Patent Firm

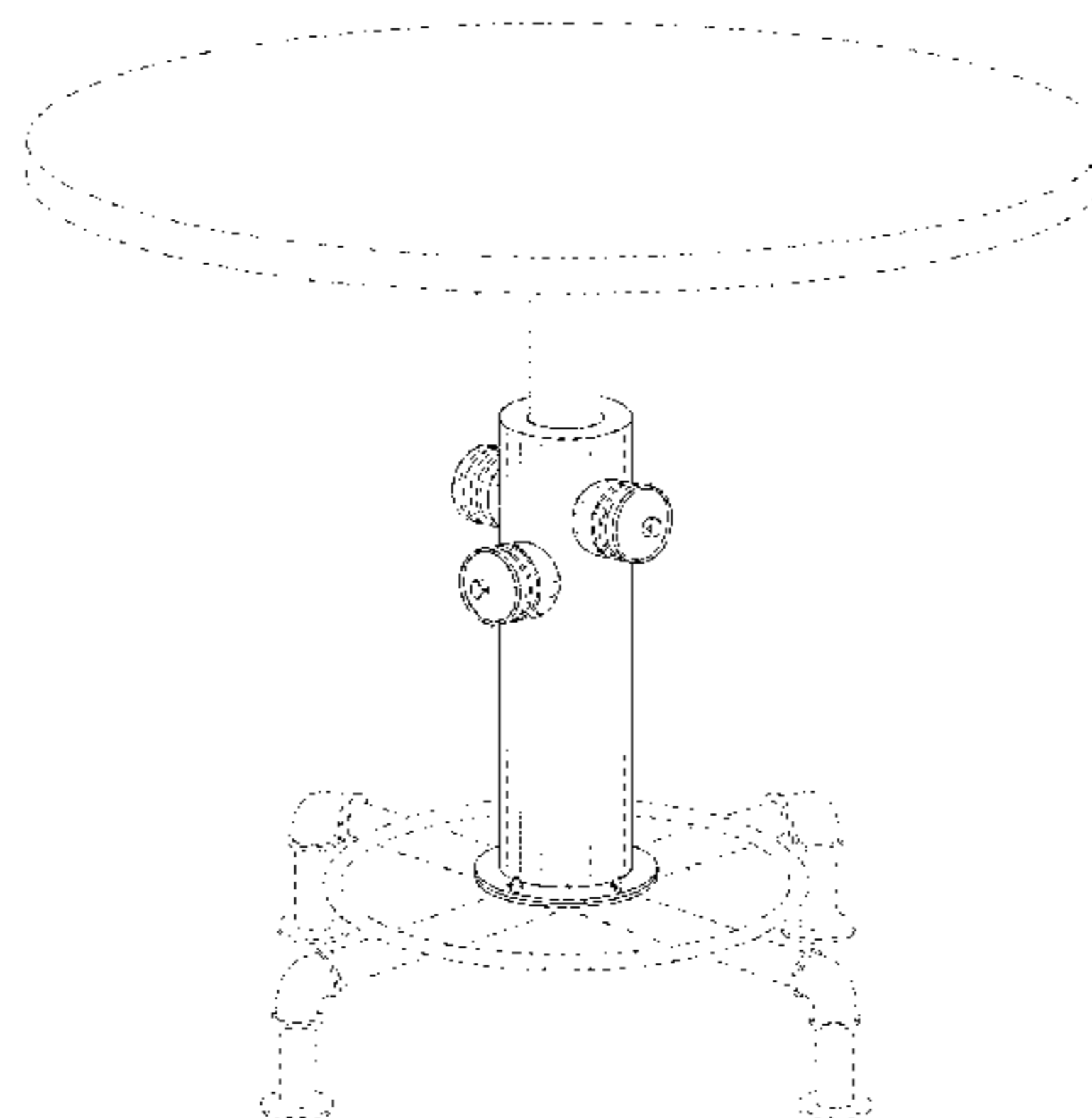
(57) **CLAIM**

The ornamental design for a furniture post, as shown and described.

**DESCRIPTION**

FIG. 1 is a perspective view of the furniture post showing my new design;  
 FIG. 2 is a front view of the furniture post;  
 FIG. 3 is a rear view of the furniture post;  
 FIG. 4 is a left view of the furniture post;  
 FIG. 5 is a right view of the furniture post;  
 FIG. 6 is a top view of the furniture post; and,  
 FIG. 7 is a bottom view of the furniture post.  
 The broken line portion of the figure drawings is included to show portions of the article that form no part of the claimed design.

**1 Claim, 7 Drawing Sheets**



(56)

**References Cited**

OTHER PUBLICATIONS

Everywhere tables, posted at Hermanmiller.com, posted on Sep. 11, 2013, site visited Jan. 31, 2018. online, available from internet: <https://web.archive.org/web/20130911185302/http://www.hermanmiller.com/products/tables/dining-tables/everywhere-tables.html>.\*

Dovetail Bennet Dining Table, posted at Shopcandelabra.com, posted on Sep. 2, 2014, site visited Jan. 31, 2018. online, available from internet: <http://www.shopcandelabra.com/dovetail-bennet-dining-table>.\*

\* cited by examiner

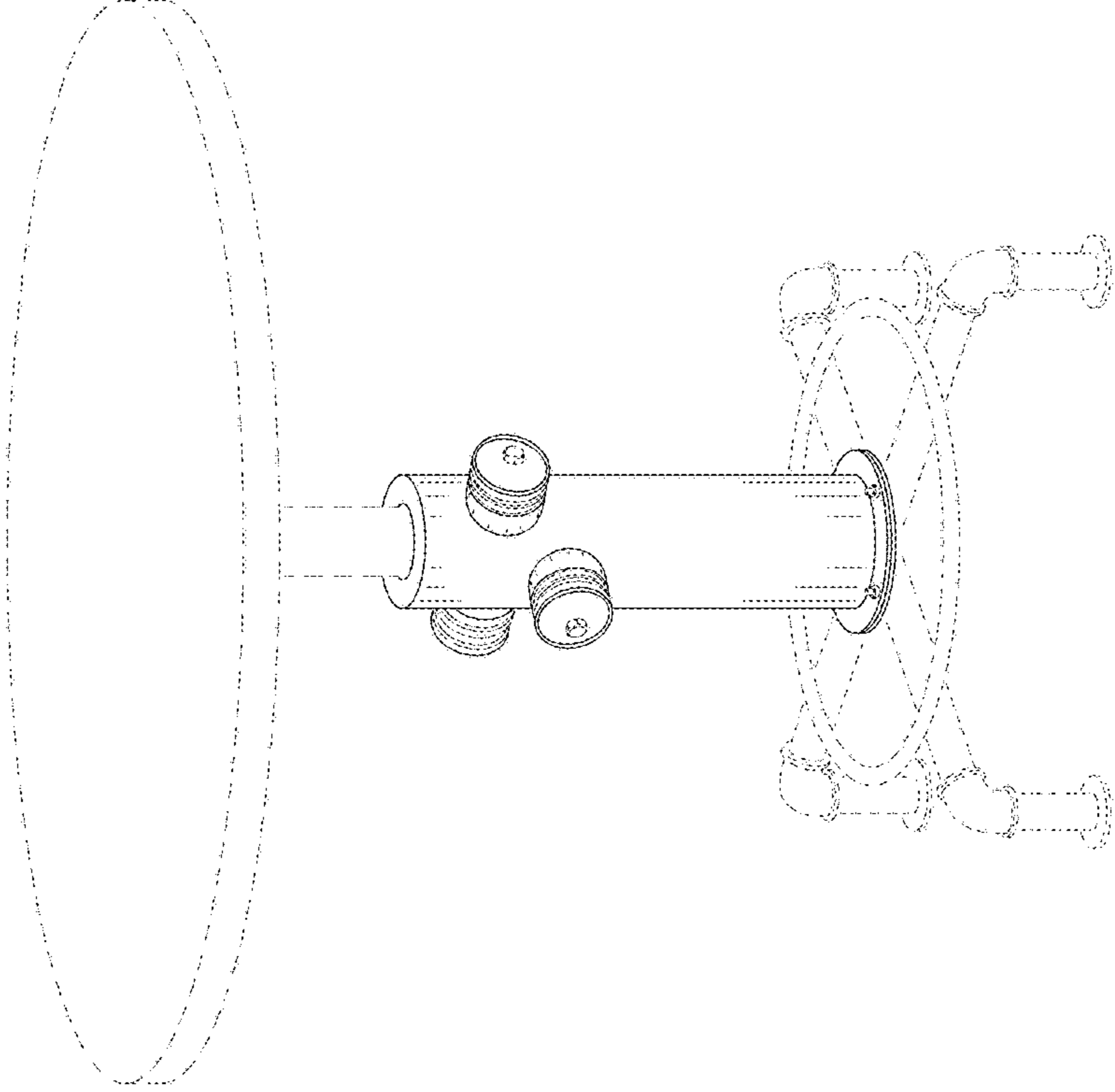


FIG.1

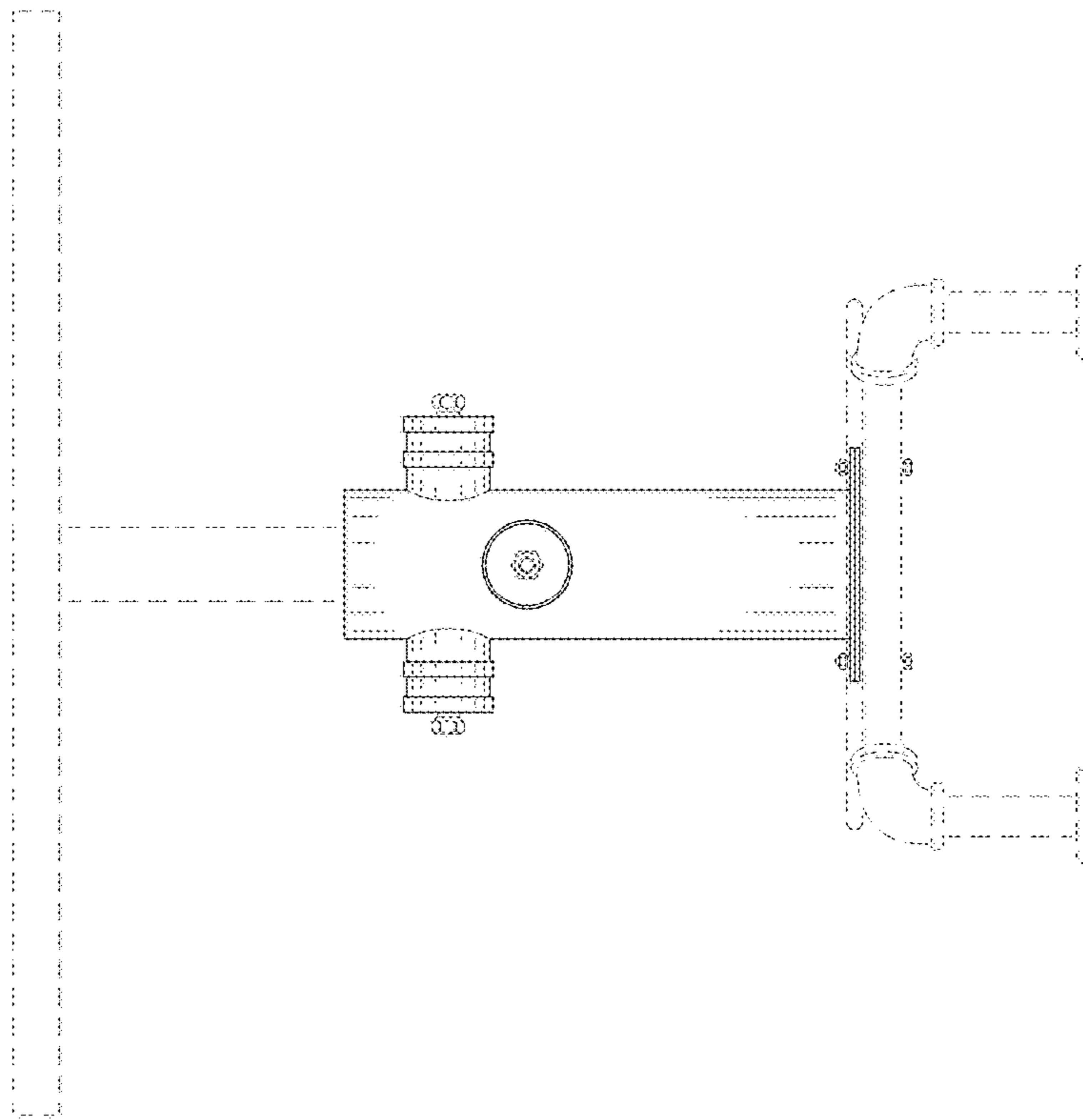


FIG. 2

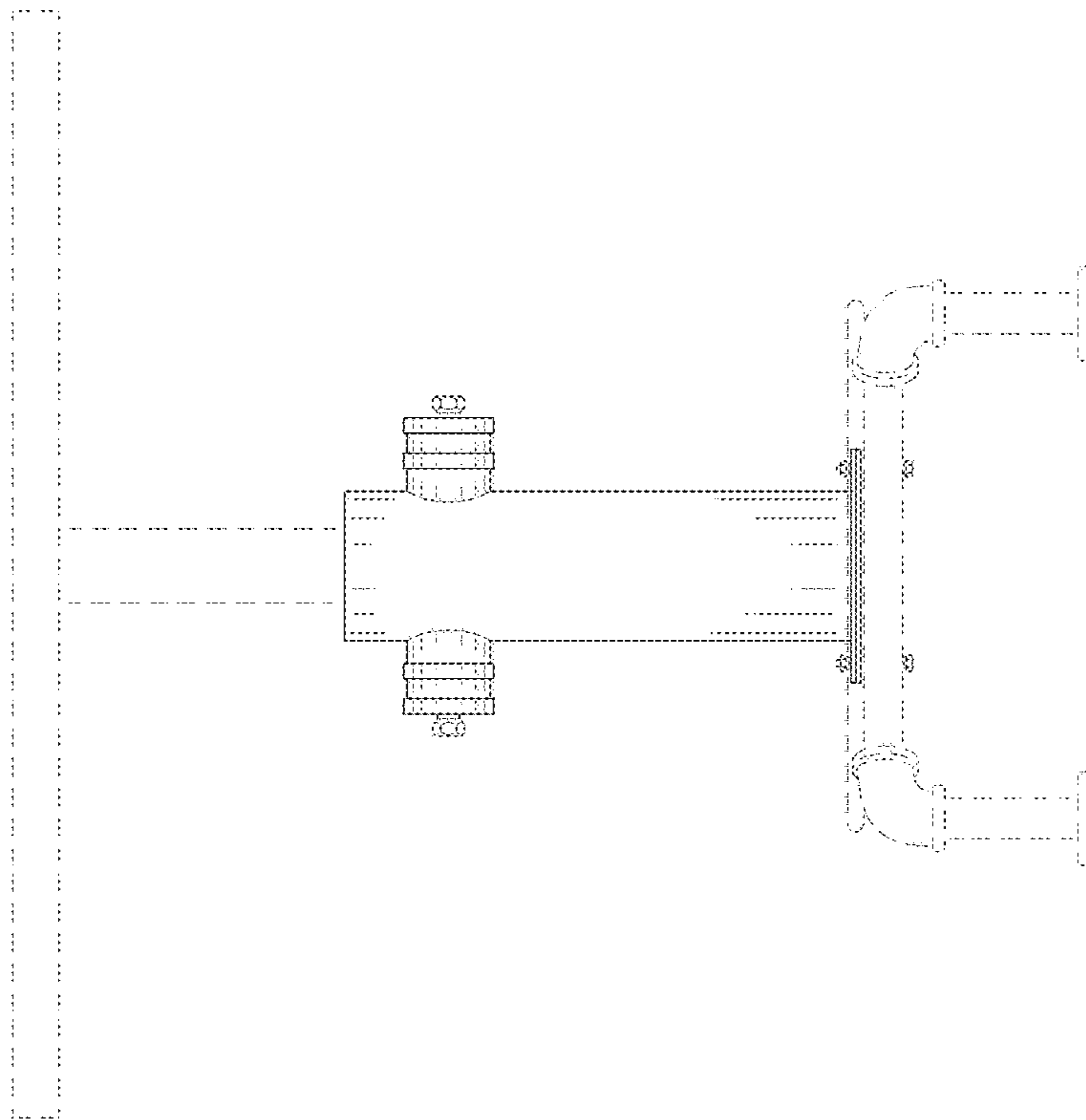


FIG.3

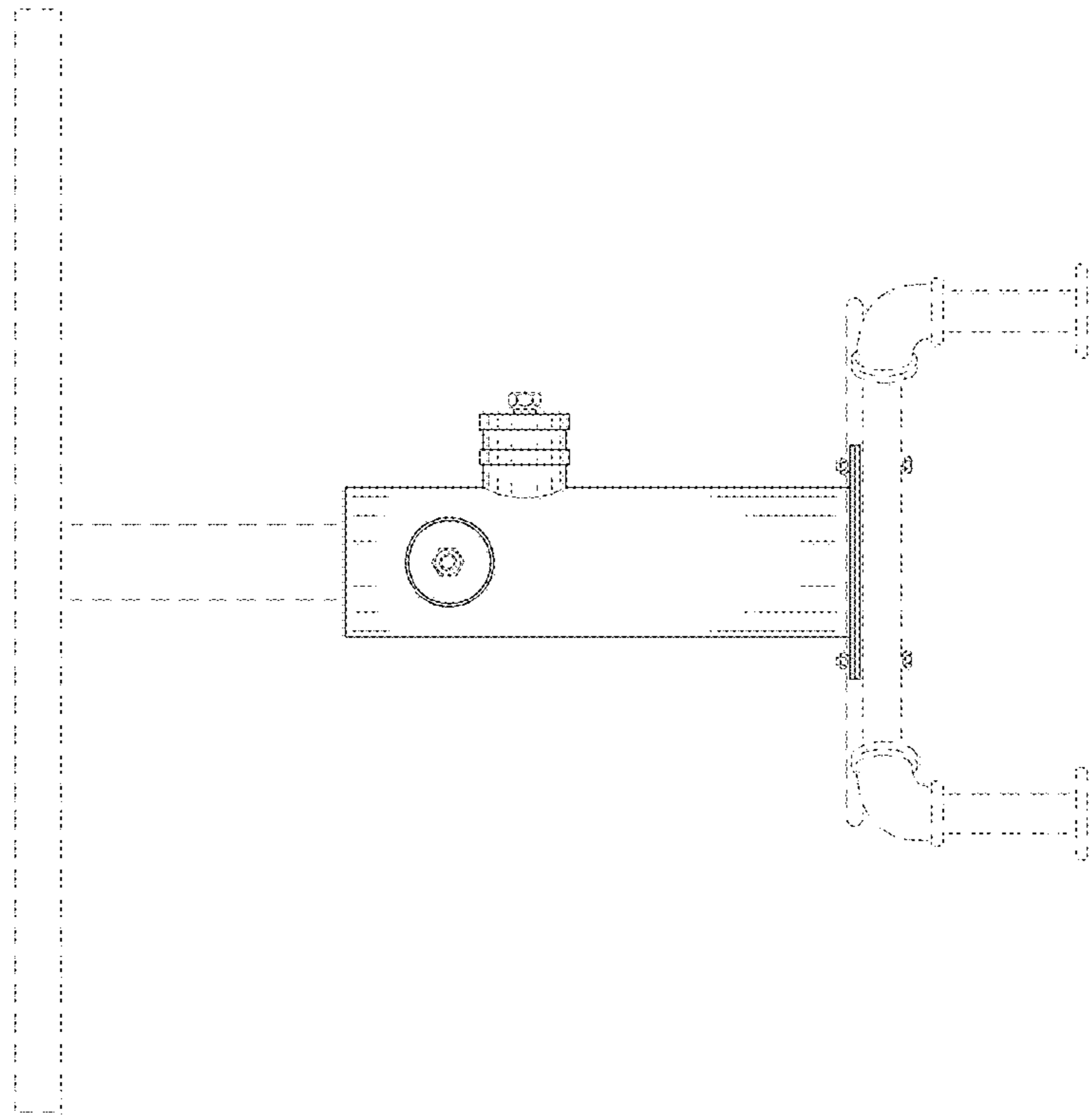


FIG.4

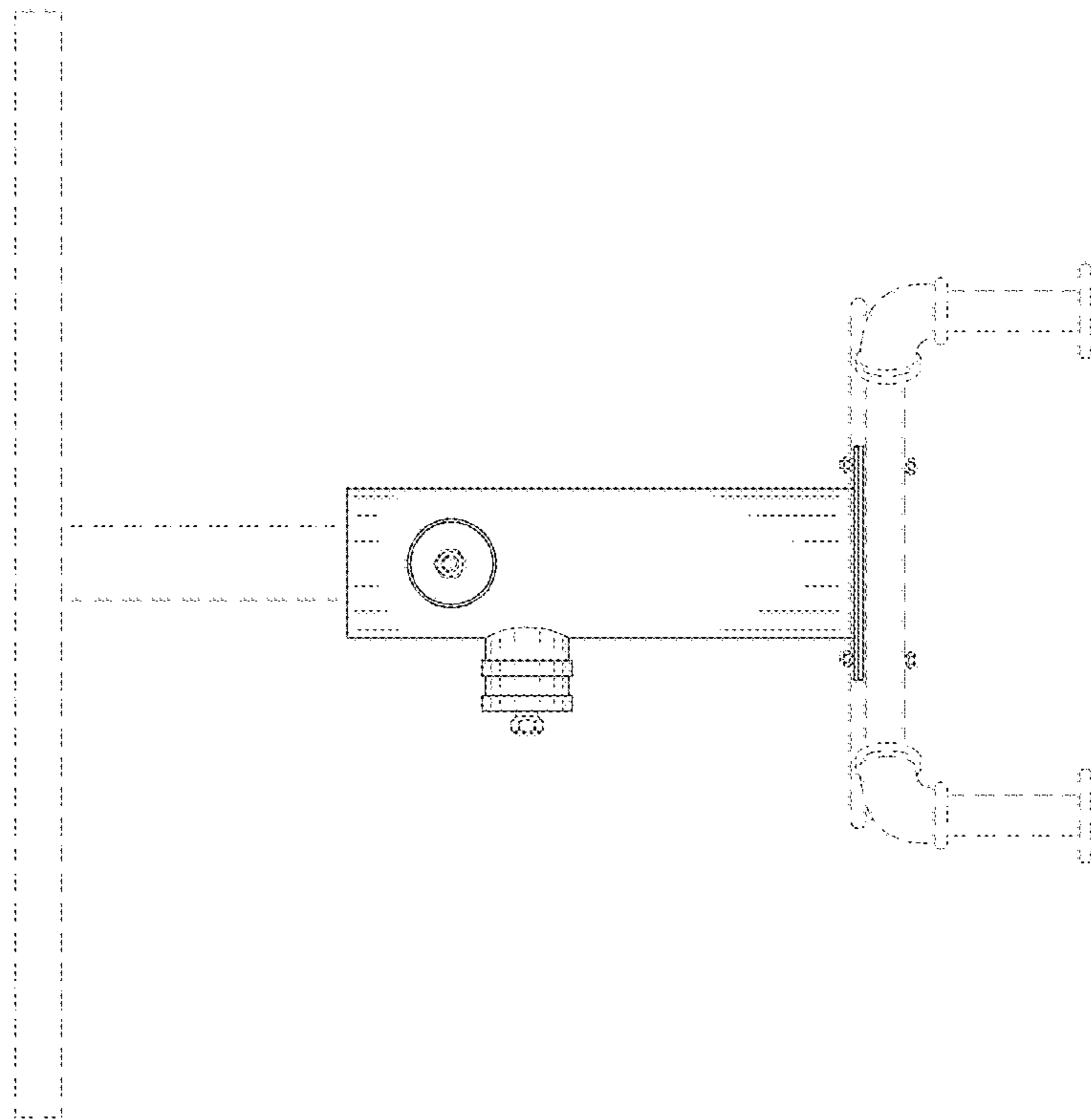


FIG. 5

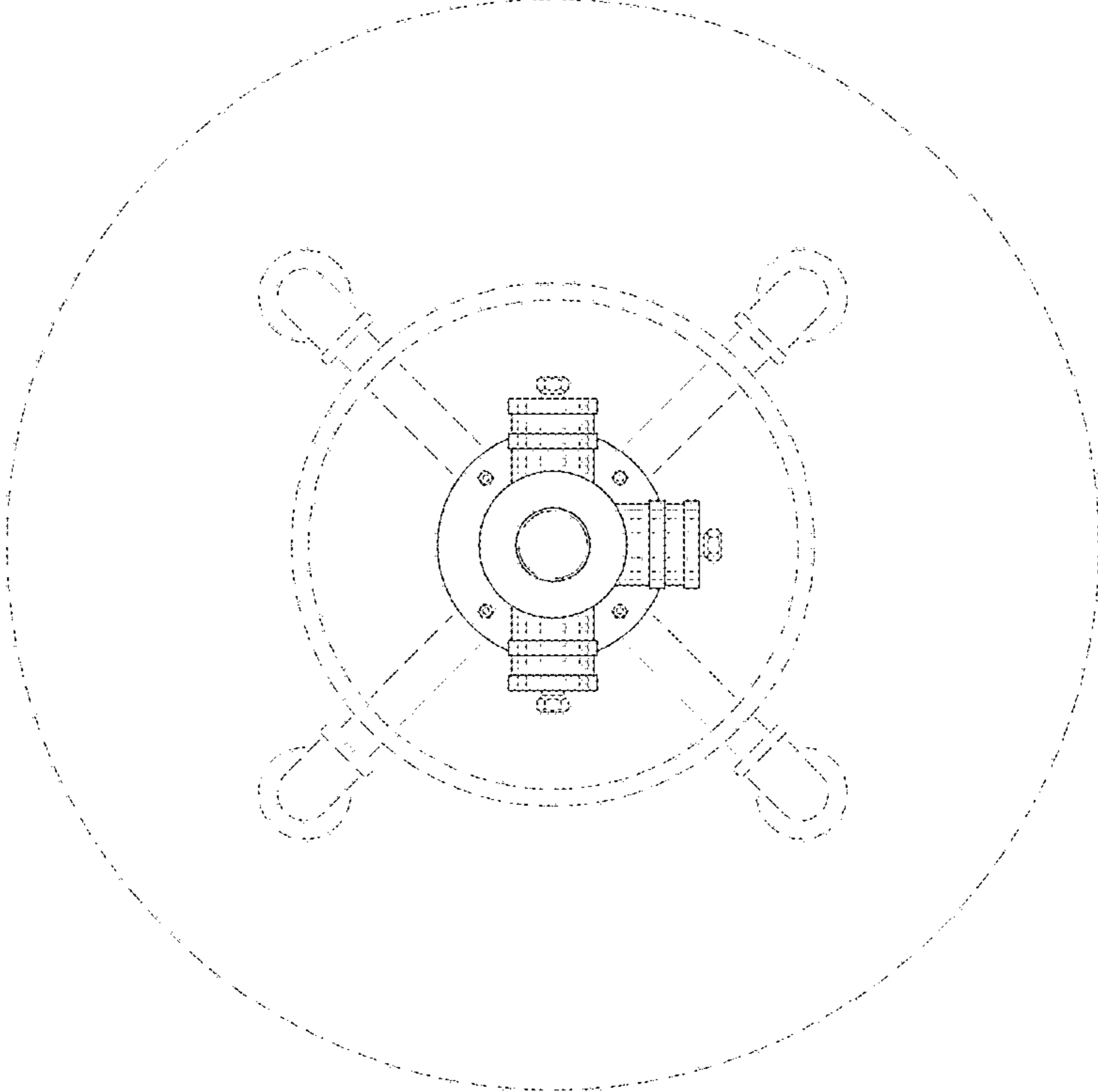


FIG. 6



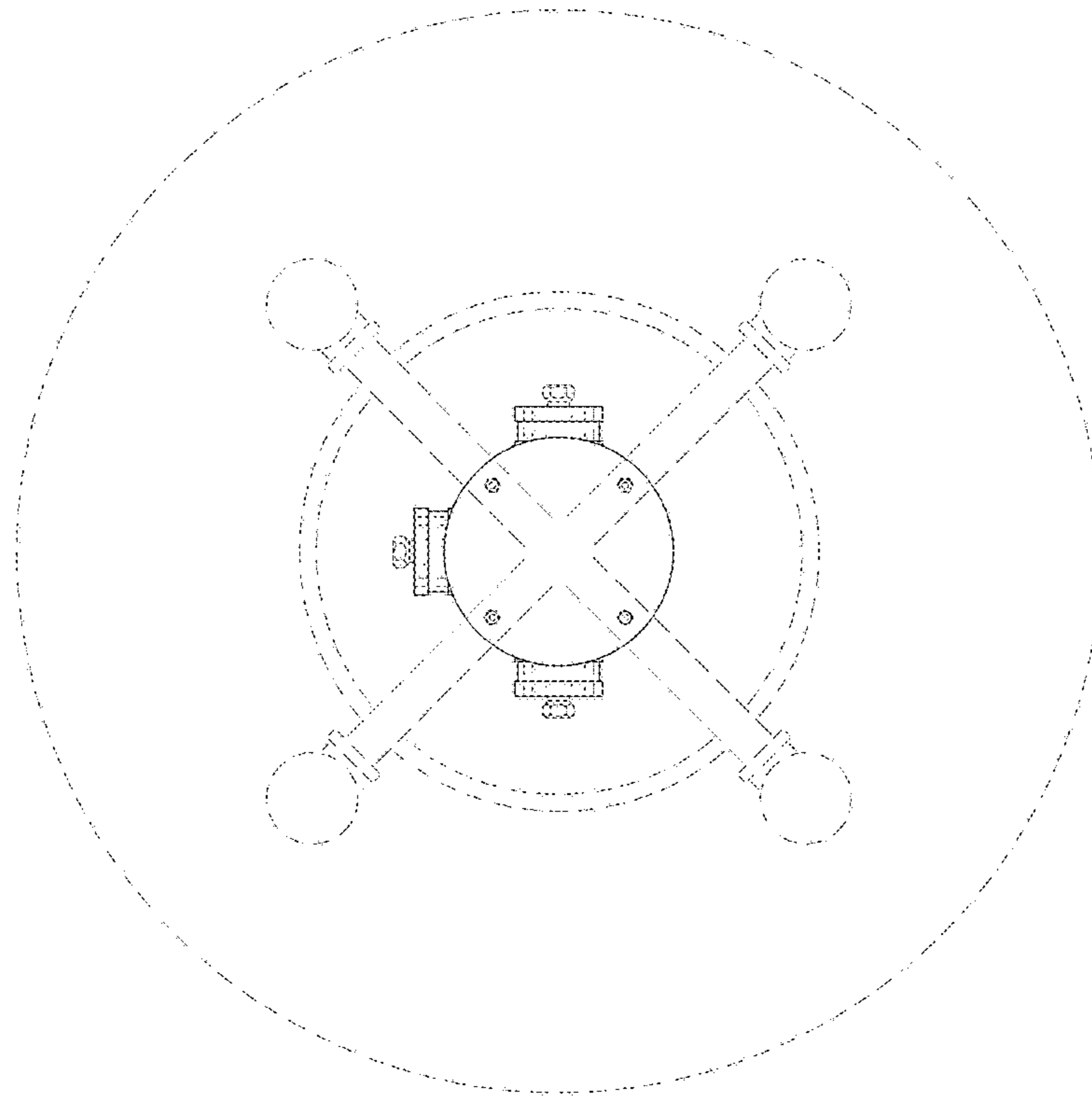


FIG. 7