



US00D838129S

(12) **United States Design Patent** (10) **Patent No.:** **US D838,129 S**
Castaneda Roldan et al. (45) **Date of Patent:** **** Jan. 15, 2019**

(54) **WORKSURFACE FOR A CONFERENCE TABLE**

(71) Applicant: **STEELCASE INC.**, Grand Rapids, MI (US)

(72) Inventors: **Felipe Efrain Castaneda Roldan**, Grand Rapids, MI (US); **Rachel Anne Neiman**, Grand Rapids, MI (US); **Robert Scheper**, Grand Rapids, MI (US)

(73) Assignee: **STEELCASE INC.**, Grand Rapids, MI (US)

(**) Term: **15 Years**

(21) Appl. No.: **29/561,434**

(22) Filed: **Apr. 15, 2016**

(51) **LOC (11) Cl.** **06-06**

(52) **U.S. Cl.**
USPC **D6/707; D6/697**

(58) **Field of Classification Search**
USPC D6/641, 671, 675, 677, 685, 687, 690, D6/691, 691.1, 691.2, 691.3, 691.4,
(Continued)

(56) **References Cited**

U.S. PATENT DOCUMENTS

1,384,925 A 7/1921 Seiler
D62,604 S * 7/1923 Deshields D6/349
(Continued)

FOREIGN PATENT DOCUMENTS

CN 204635411 U 9/2015
CN 204812639 U 12/2015
(Continued)

OTHER PUBLICATIONS

U.S. Appl. No. 29/561,429, filed Apr. 15, 2016 entitled "Conference Table" 25 pages.

(Continued)

Primary Examiner — Mary Ann Calabrese

Assistant Examiner — Sloan Rozin

(74) *Attorney, Agent, or Firm* — Brinks Gilson & Lione

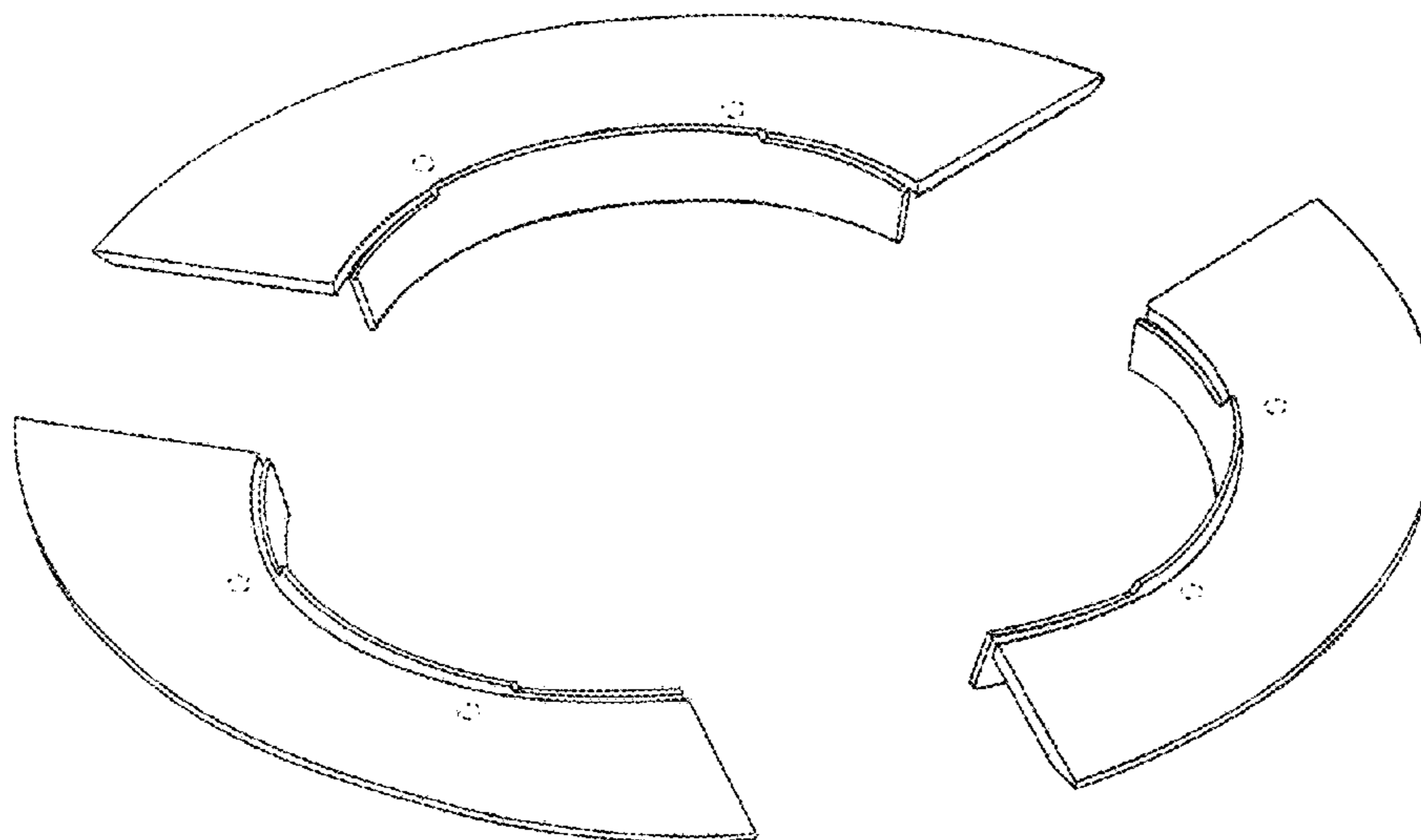
(57) **CLAIM**

The ornamental design for a worksurface for a conference table, as shown and described.

DESCRIPTION

FIG. 1 is a perspective view of a worksurface in an expanded configuration;
FIG. 2 is a side view of the worksurface shown in FIG. 1;
FIG. 3 is a top view of the worksurface shown in FIG. 1;
FIG. 4 is front view of the worksurface shown in FIG. 1;
FIG. 5 is a bottom view of the worksurface shown in FIG. 1;
FIG. 6 is a rear view of the worksurface shown in FIG. 1;
FIG. 7 is a perspective view of the worksurface in a contracted configuration;
FIG. 8 is a side view of the worksurface shown in FIG. 7;
FIG. 9 is a top view of the worksurface shown in FIG. 7;
FIG. 10 is front view of the worksurface shown in FIG. 7;
FIG. 11 is a bottom view of the worksurface shown in FIG. 7; and,
FIG. 12 is a rear view of the worksurface shown in FIG. 7.
The broken lines shown in the Figures are for environmental purposes only and do not form any part of the claimed design.

1 Claim, 6 Drawing Sheets



(58) **Field of Classification Search**
 USPC D6/691.5, 691.9, 693, 695, 695.2, 696,
 D6/696.1, 697, 697.1, 698, 699, 699.2,
 D6/703, 707, 708, 709, 709.2, 709.21
 CPC A47B 7/00; A47B 13/08; A47B 13/10;
 A47B 21/00; A47B 2009/006; A47B
 11/00; A47B 2200/002
 See application file for complete search history.

(56) **References Cited**

U.S. PATENT DOCUMENTS

D120,018 S * 4/1940 Remler D6/699
 D139,893 S * 1/1945 Roberts 312/140.1
 2,536,511 A 1/1951 Megies
 2,540,291 A 2/1951 Reingold
 2,703,740 A 3/1955 Cochard
 D194,468 S 1/1963 Goodman
 D196,121 S 8/1963 Soszynski
 3,120,405 A 2/1964 Soszynski
 D201,971 S * 8/1965 Mahon D6/650
 D206,998 S 2/1967 Benjamin
 D209,911 S 1/1968 Cooper
 D210,131 S * 2/1968 Rourke D6/707.15
 3,477,760 A 11/1969 Bue et al.
 D222,276 S * 10/1971 Hughes 108/151
 4,069,770 A 1/1978 Bertelsen
 4,400,724 A 8/1983 Fields
 D272,302 S 1/1984 Connelly
 D274,581 S 7/1984 Gallock
 D276,109 S * 10/1984 Gordon D6/338
 4,758,887 A 7/1988 Engel et al.
 D327,178 S 6/1992 Ryaa
 5,156,095 A 10/1992 Hansback et al.
 5,159,445 A 10/1992 Gitlin et al.
 5,194,955 A 3/1993 Yoneta et al.
 D337,000 S 7/1993 Williams
 5,237,937 A 8/1993 Peltier et al.
 D339,487 S 9/1993 Rizzi
 5,243,413 A 9/1993 Gitlin et al.
 5,282,027 A 1/1994 Tanigaki et al.
 D352,182 S 11/1994 Yoshimura
 5,400,069 A 3/1995 Braun et al.
 5,406,323 A 4/1995 Tanigaki et al.
 5,448,287 A 9/1995 Hull
 5,470,128 A 11/1995 Kerkham
 5,612,733 A 3/1997 Flohr
 5,619,254 A 4/1997 McNelley
 5,676,068 A 10/1997 Kallander
 5,808,663 A 9/1998 Okaya
 D409,008 S 5/1999 Lunn
 5,953,052 A 9/1999 McNelley et al.
 6,009,814 A 1/2000 Rossi
 6,010,185 A * 1/2000 Petersen A47B 83/02
 297/157.1
 6,037,970 A 3/2000 Kondo
 6,102,475 A * 8/2000 Hamann A47B 83/02
 108/27
 D434,738 S 12/2000 Takemasa
 6,160,573 A 12/2000 Allen et al.
 6,243,130 B1 6/2001 McNelley et al.
 D447,365 S 9/2001 Chi
 D448,938 S * 10/2001 Ng D6/337
 D456,645 S 5/2002 Iverson
 D471,023 S * 3/2003 Lanius D6/362
 D474,454 S 5/2003 Izu et al.
 6,606,111 B1 8/2003 Kondo et al.
 D482,536 S 11/2003 Williams
 6,798,441 B2 9/2004 Hartman et al.
 6,994,032 B2 2/2006 Conley et al.
 7,077,464 B2 7/2006 Ford et al.
 7,092,002 B2 8/2006 Ferren et al.
 7,119,829 B2 10/2006 Leonardt et al.
 7,126,627 B1 10/2006 Lewis et al.
 D542,243 S 5/2007 Lewis
 7,311,047 B2 12/2007 Conley et al.

7,352,809 B2 4/2008 Vvenger et al.
 D572,918 S 7/2008 Viets
 7,455,018 B2 11/2008 Conley et al.
 7,464,653 B2 12/2008 Dodge
 D588,560 S 3/2009 Mellingen et al.
 D588,825 S 3/2009 van Ierssel
 7,515,174 B1 4/2009 Francisco et al.
 7,558,823 B2 7/2009 Beers et al.
 7,679,639 B2 3/2010 Harrell et al.
 7,707,247 B2 4/2010 Dunn et al.
 D615,514 S 5/2010 Mellingen et al.
 7,710,448 B2 5/2010 De Beer et al.
 7,710,450 B2 5/2010 Dhuey et al.
 7,746,373 B2 6/2010 Martini
 D621,172 S * 8/2010 Rivera, Jr. D6/338
 7,801,430 B2 9/2010 Gorzynski et al.
 D626,103 S 10/2010 Buzzard et al.
 D628,175 S 11/2010 Desai et al.
 D628,968 S 12/2010 Desai et al.
 7,847,814 B2 12/2010 Ferren et al.
 7,855,726 B2 12/2010 Ferren et al.
 7,884,846 B2 2/2011 Ferren et al.
 7,884,855 B2 2/2011 Ortiz
 7,916,165 B2 3/2011 Ferren et al.
 D637,568 S 5/2011 Desai et al.
 D655,519 S * 3/2012 Messenger D6/337
 8,130,256 B2 3/2012 Trachtenberg et al.
 D659,427 S 5/2012 Nicolas et al.
 D661,501 S * 6/2012 Pineau D6/338
 8,259,155 B2 9/2012 Marathe et al.
 8,289,363 B2 10/2012 Buckler
 8,299,979 B2 10/2012 Rambo et al.
 8,319,819 B2 11/2012 MacDonald et al.
 8,330,791 B2 12/2012 Gorzynski et al.
 8,345,082 B2 1/2013 Tysso
 8,355,041 B2 1/2013 Chen et al.
 8,358,328 B2 1/2013 Friel et al.
 8,384,824 B2 2/2013 Miyagawa et al.
 8,405,704 B2 3/2013 Kobayashi et al.
 8,407,944 B2 4/2013 Baloga et al.
 8,446,455 B2 5/2013 Lian et al.
 8,456,506 B2 6/2013 Ferren et al.
 8,477,175 B2 7/2013 Shaffer et al.
 D688,074 S 8/2013 Lin
 D689,305 S * 9/2013 Mari D6/656
 8,526,632 B2 9/2013 Cutler
 8,659,637 B2 2/2014 De Beer et al.
 8,675,038 B2 3/2014 Wessling
 8,692,862 B2 4/2014 N'Guessan
 8,704,867 B2 4/2014 Hubenthal et al.
 8,773,495 B2 7/2014 Saleh et al.
 8,797,377 B2 8/2014 Mauchly et al.
 8,997,661 B1 4/2015 Kilday
 9,058,055 B2 6/2015 Ferren et al.
 D808,197 S 1/2018 Castaneda Roldan et al.
 2004/0008423 A1 1/2004 Driscoll, Jr. et al.
 2004/0207718 A1 10/2004 Boyden et al.
 2004/0216647 A1 11/2004 Cvek
 2005/0062844 A1 3/2005 Ferren et al.
 2007/0279483 A1 12/2007 Beers et al.
 2007/0290531 A1 12/2007 Larsen
 2008/0237412 A1 10/2008 Chinuki et al.
 2009/0207233 A1 8/2009 Mauchly et al.
 2010/0118112 A1 5/2010 Nimri et al.
 2010/0208078 A1 9/2010 Tian et al.
 2011/0134204 A1 6/2011 Rodriguez et al.
 2015/0150374 A1 6/2015 Jones
 2017/0295918 A1 10/2017 Castaneda Roldan et al.

FOREIGN PATENT DOCUMENTS

DE 124355 B 6/1967
 DE 3331481 A1 3/1985
 DE 8707699 U1 9/1987
 DE 4207742 A1 9/1993
 DE 102008017995 A1 10/2009
 EP 740177 A2 10/1996
 EP 1610555 A1 12/2005
 FR 2758063 A1 7/1998

(56)

References Cited

FOREIGN PATENT DOCUMENTS

GB	206400	A	11/1923
GB	2396552	A	3/2004
GB	2353429	A	6/2004
GB	2484944	A	5/2010
JP	4344789	A	12/1992
TW	340324	Y	9/1998
WO	WO1998047291	A2	10/1998
WO	WO200122848	A2	4/2001
WO	WO2008101117	A1	8/2008
WO	WO2009120814	A2	10/2009
WO	WO2010033036	A1	3/2010
WO	WO2010104765	A1	9/2010

OTHER PUBLICATIONS

U.S. Appl. No. 29/561,432, filed Apr. 15, 2016 entitled "Support for a Table" 18 pages.

* cited by examiner

FIG. 1

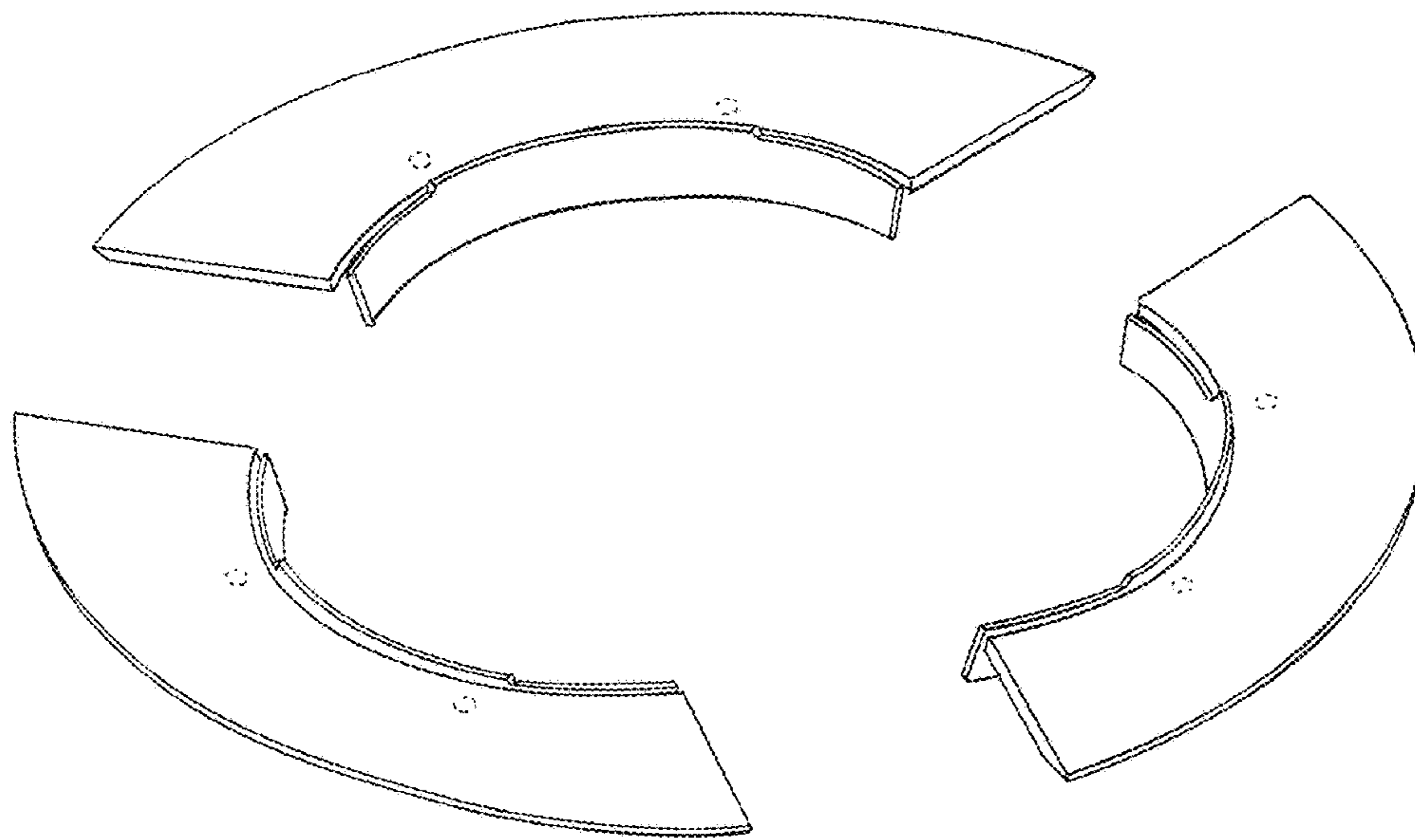


FIG. 2

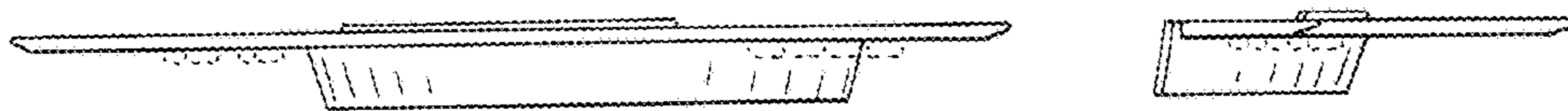


FIG. 3

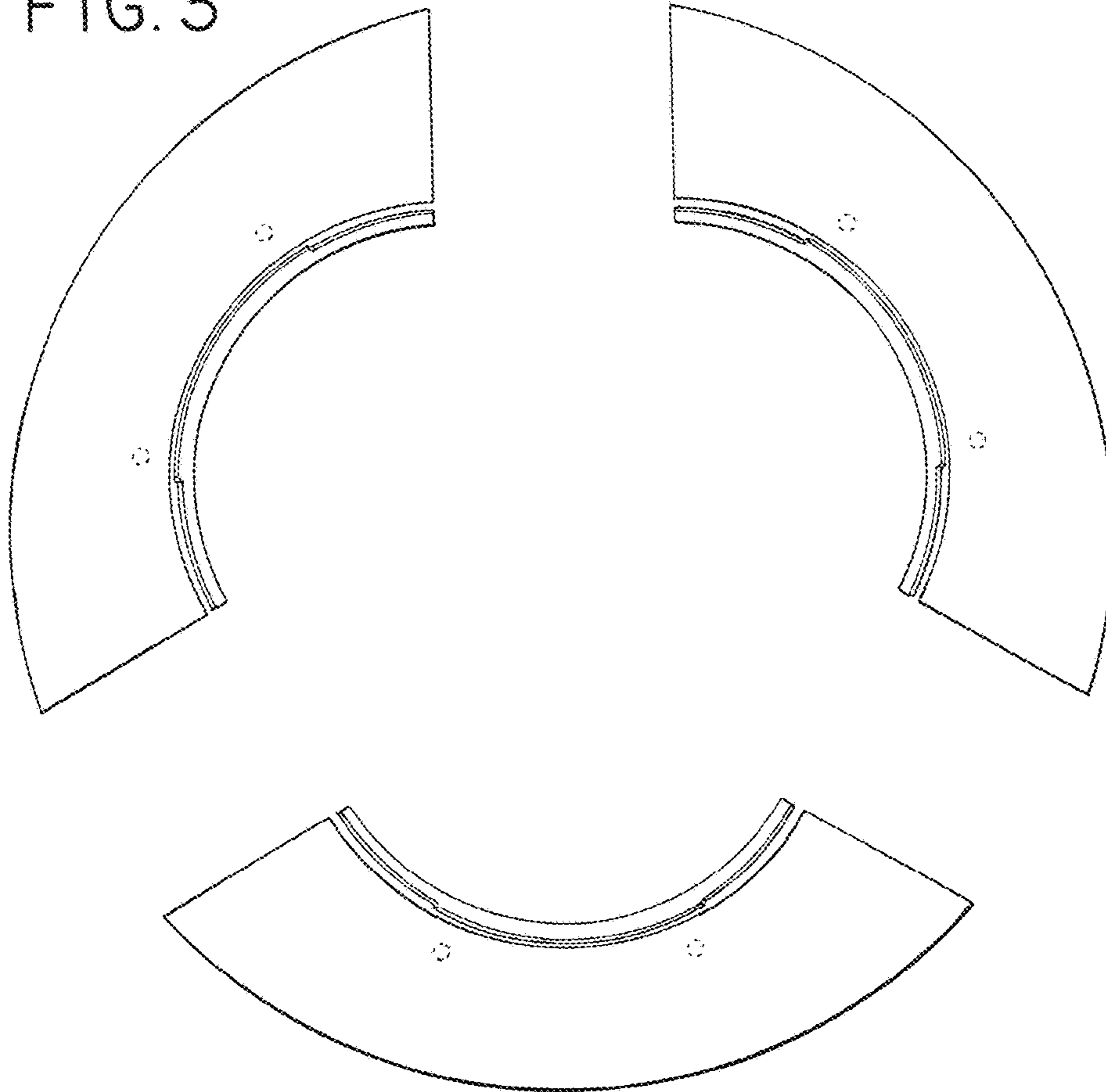


FIG. 4

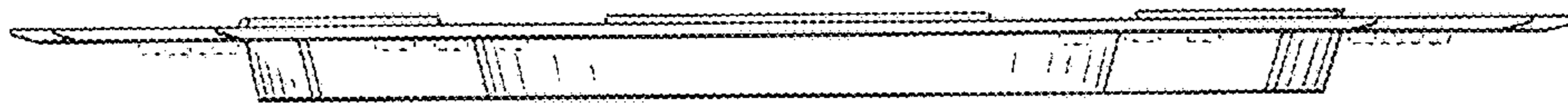


FIG. 5

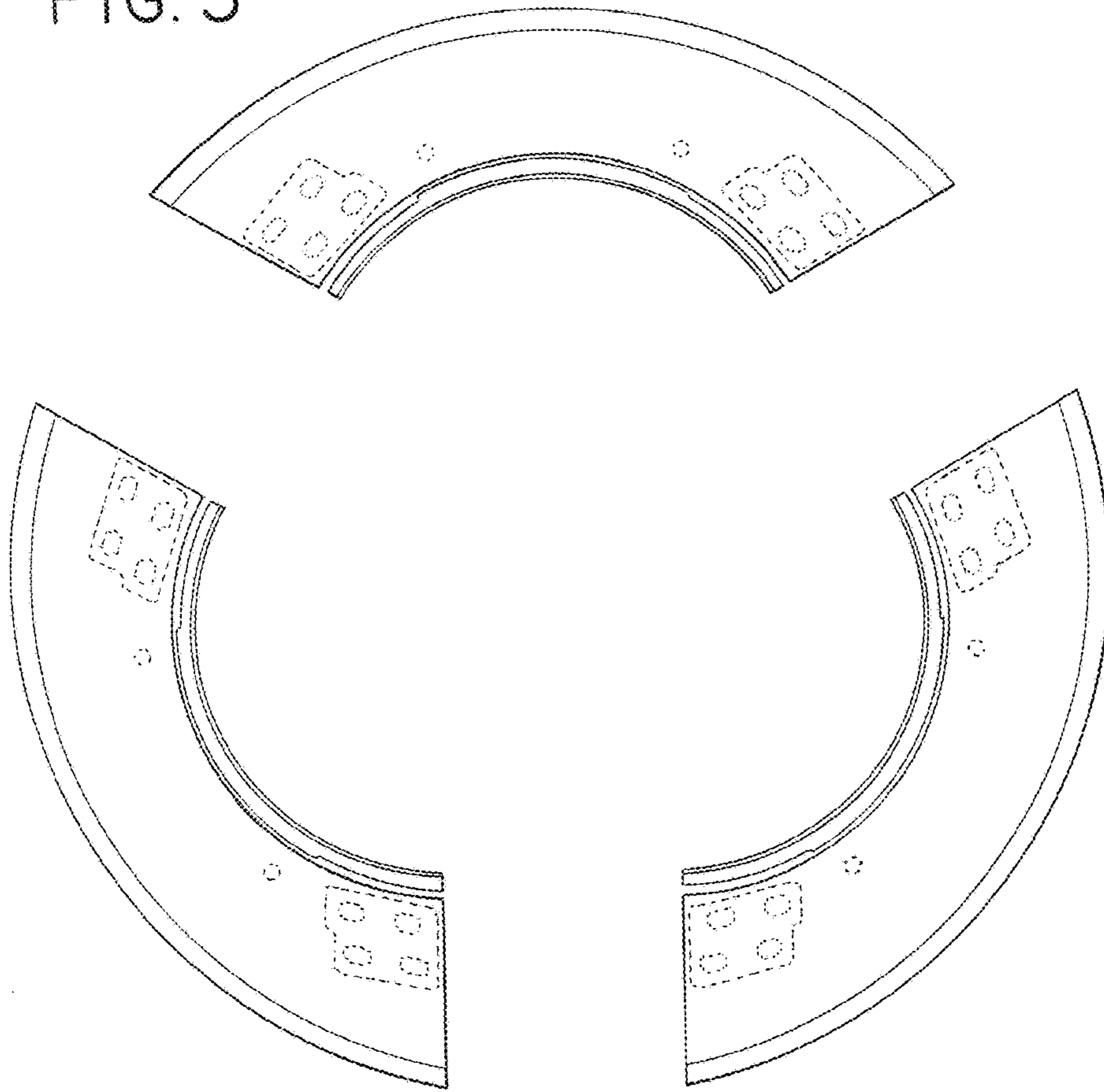


FIG. 6

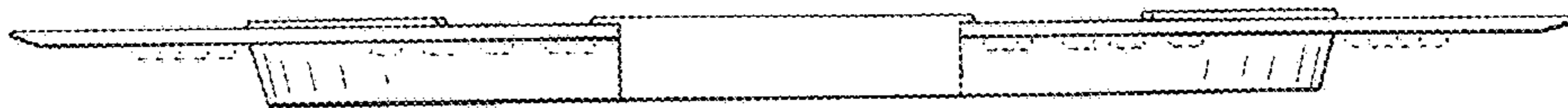


FIG. 7

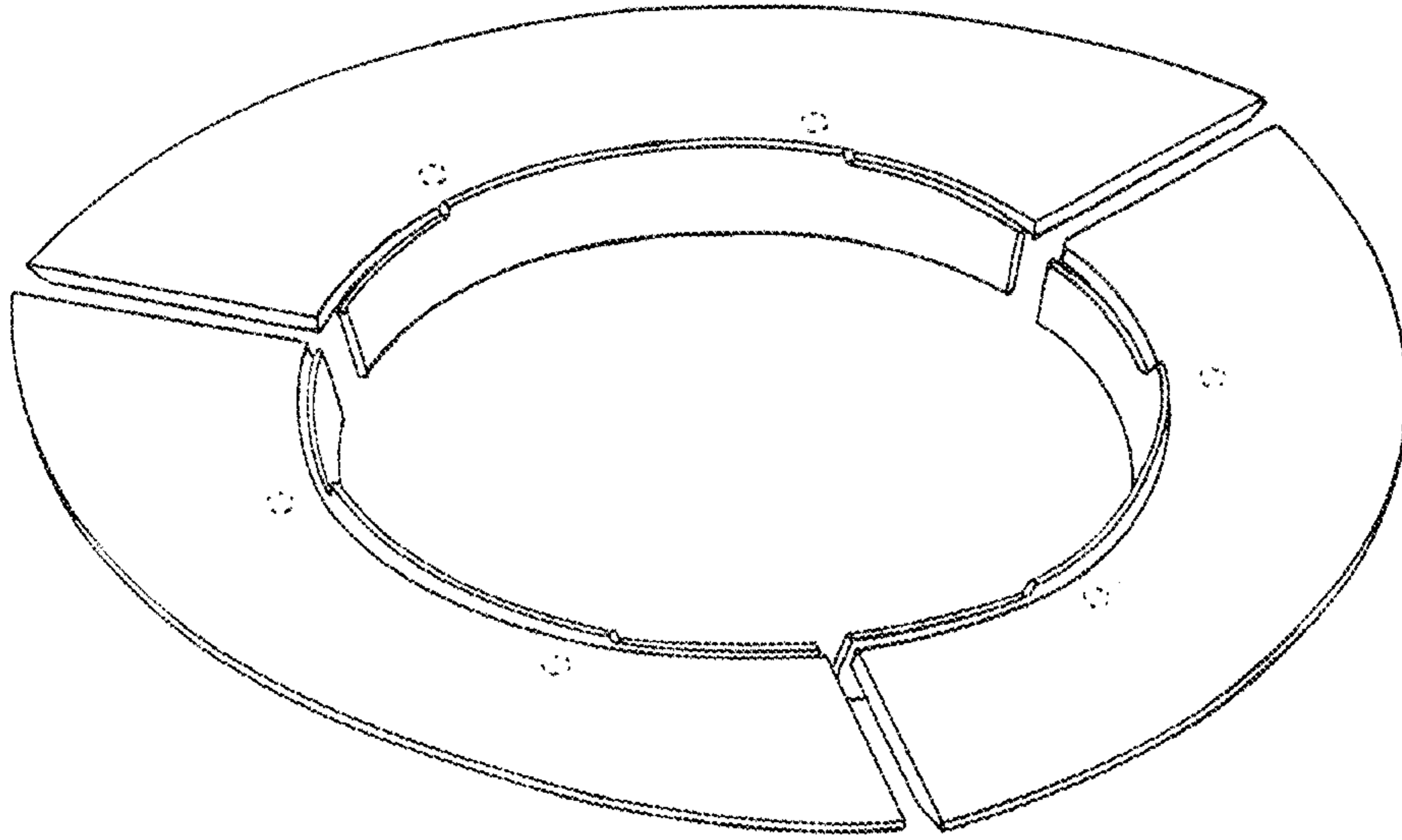


FIG. 8

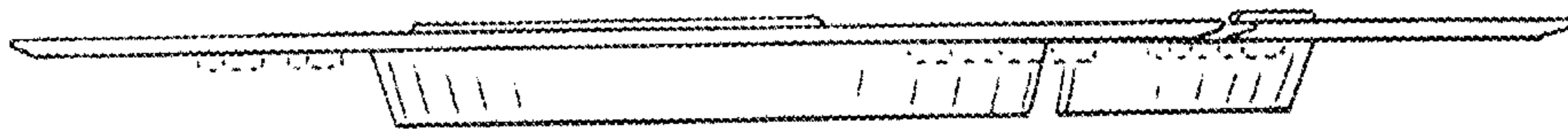


FIG. 9

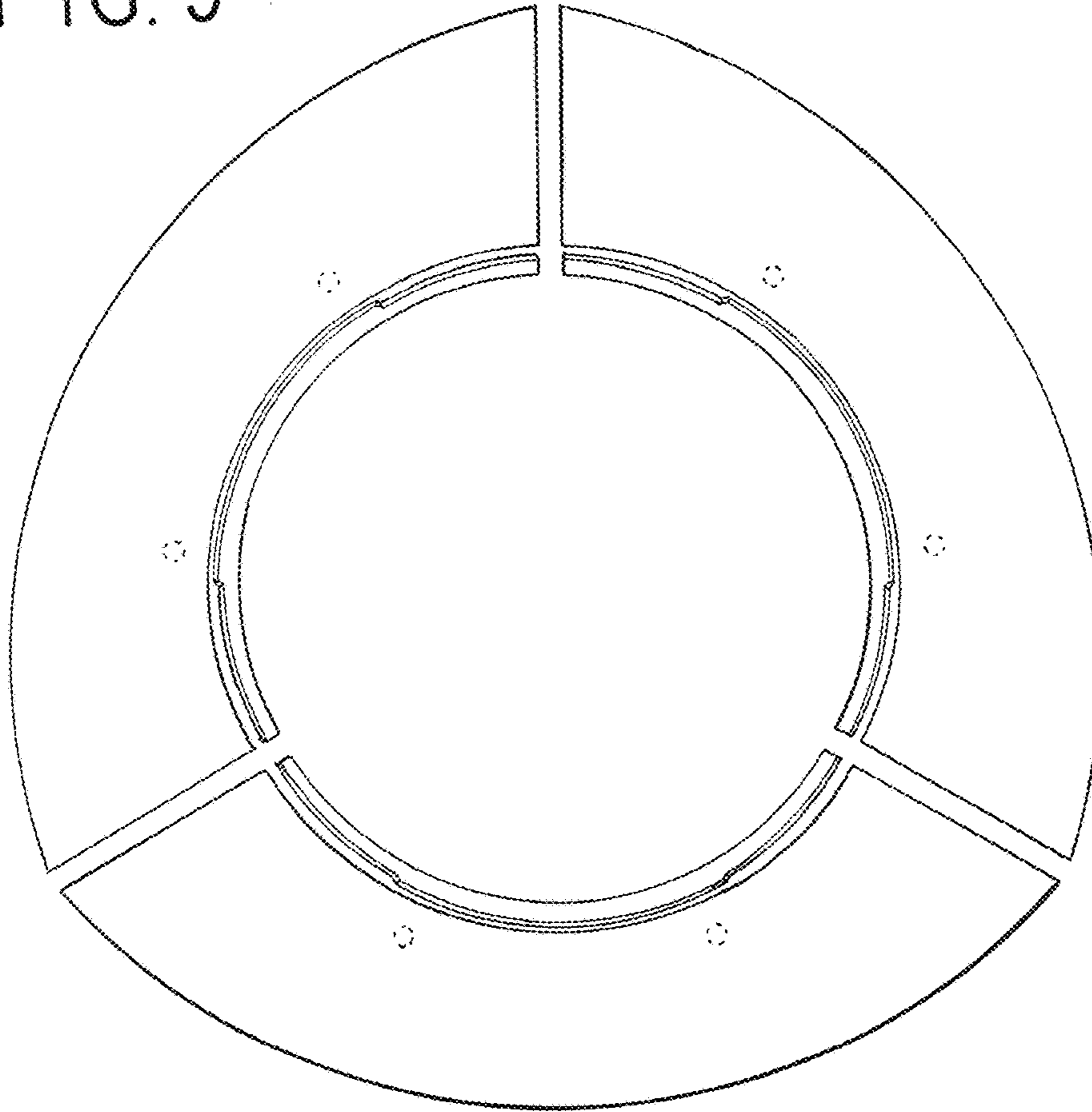


FIG. 10

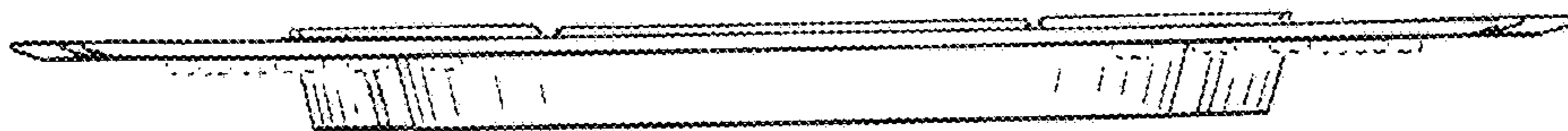


FIG. 11

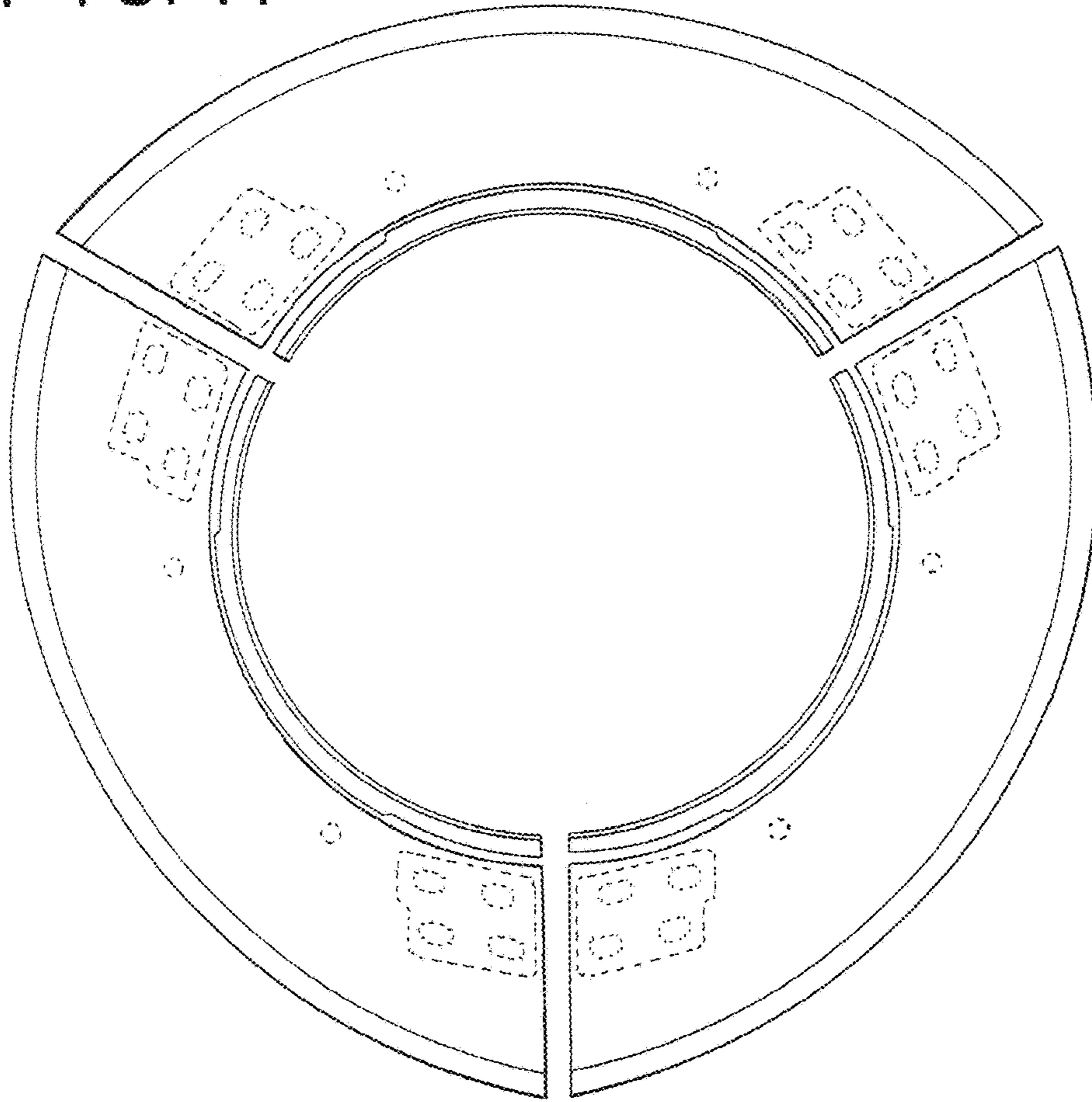


FIG. 12

