



US00D838128S

(12) **United States Design Patent**
Corr

(10) **Patent No.:** **US D838,128 S**
(45) **Date of Patent:** **** Jan. 15, 2019**

- (54) **COFFEE TABLE**
- (71) Applicant: **Jessica Corr**, New York, NY (US)
- (72) Inventor: **Jessica Corr**, New York, NY (US)
- (**) Term: **15 Years**
- (21) Appl. No.: **29/563,875**
- (22) Filed: **May 9, 2016**
- (51) **LOC (11) Cl.** **06-03**
- (52) **U.S. Cl.**
USPC **D6/691.2**
- (58) **Field of Classification Search**
USPC D6/349, 641, 353.14, 685, 690, 692,
D6/692.1–692.6
CPC A47B 7/00; A47B 13/00; A47B 13/003;
A47B 13/02; A47B 13/023; A47B 13/04;
A47B 13/06; A47B 13/08; A47B 13/081;
A47B 13/12; A47B 21/00; A47B
2200/0011; A47B 2200/0015; A47B
2200/0016; A47B 2200/002
See application file for complete search history.

- D347,342 S * 5/1994 Ghini D6/690
- D371,702 S * 7/1996 Reese D6/692.6
- D737,526 S * 8/2015 Hong D30/118
- D793,782 S * 8/2017 Corr D6/352

* cited by examiner

Primary Examiner — Mary Ann Calabrese
(74) *Attorney, Agent, or Firm* — Myron Greenspan;
Lackebach Siegel LLP

(56) **References Cited**

U.S. PATENT DOCUMENTS

- D240,871 S * 8/1976 Herman D6/352
- D346,703 S * 5/1994 Grosfillex D6/349

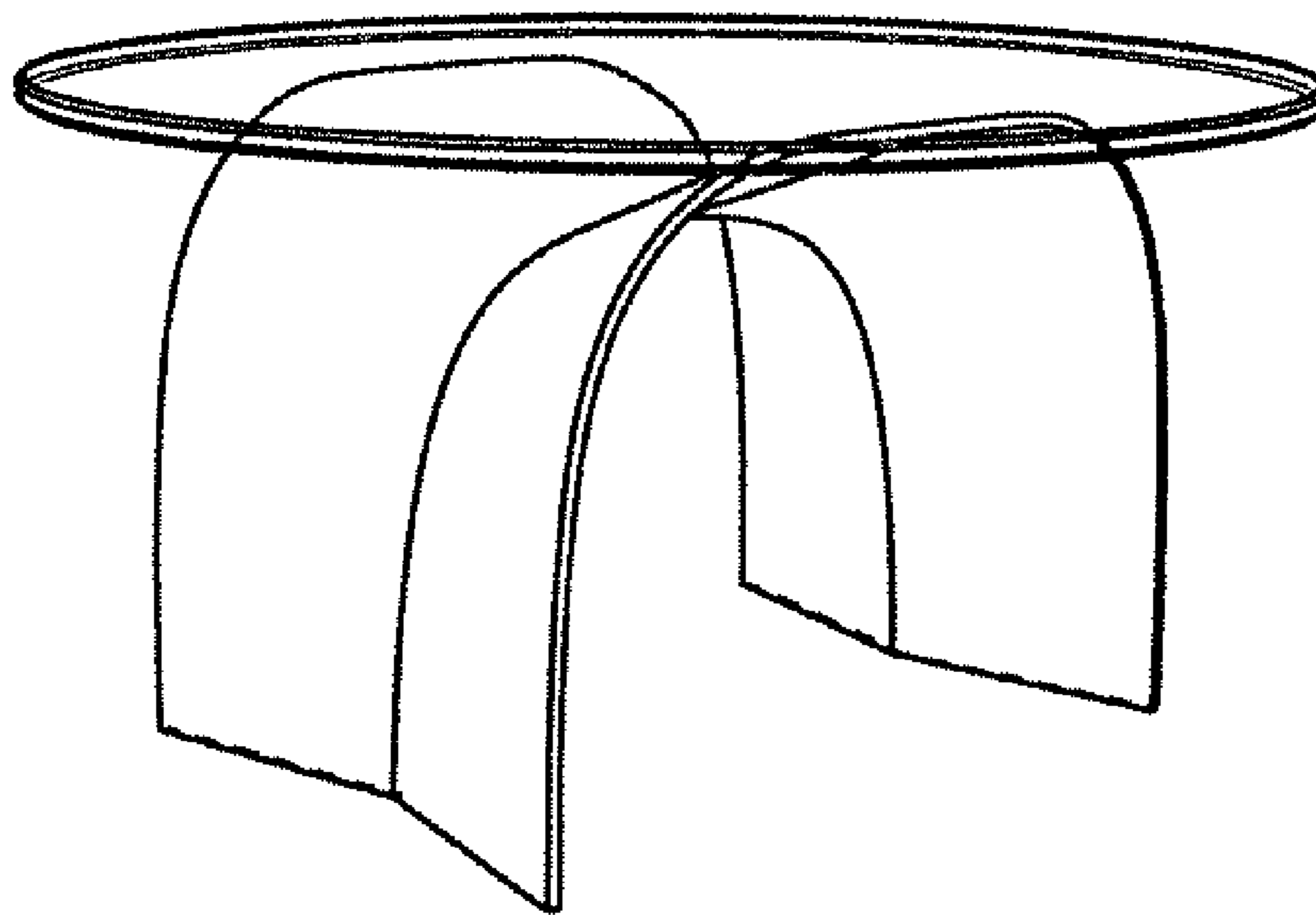
(57) **CLAIM**

I claim the ornamental design for a coffee table, as shown and described.

DESCRIPTION

FIG. 1 is a perspective view of a coffee table showing my new design;
FIG. 2 is a top plan view thereof;
FIG. 3 is a right side elevational view thereof, the left side elevational view being identical to the right side elevational view;
FIG. 4 is a front elevational view thereof, the rear elevational view being identical to the front elevational view; and,
FIG. 5 is a bottom plan view thereof.

1 Claim, 1 Drawing Sheet



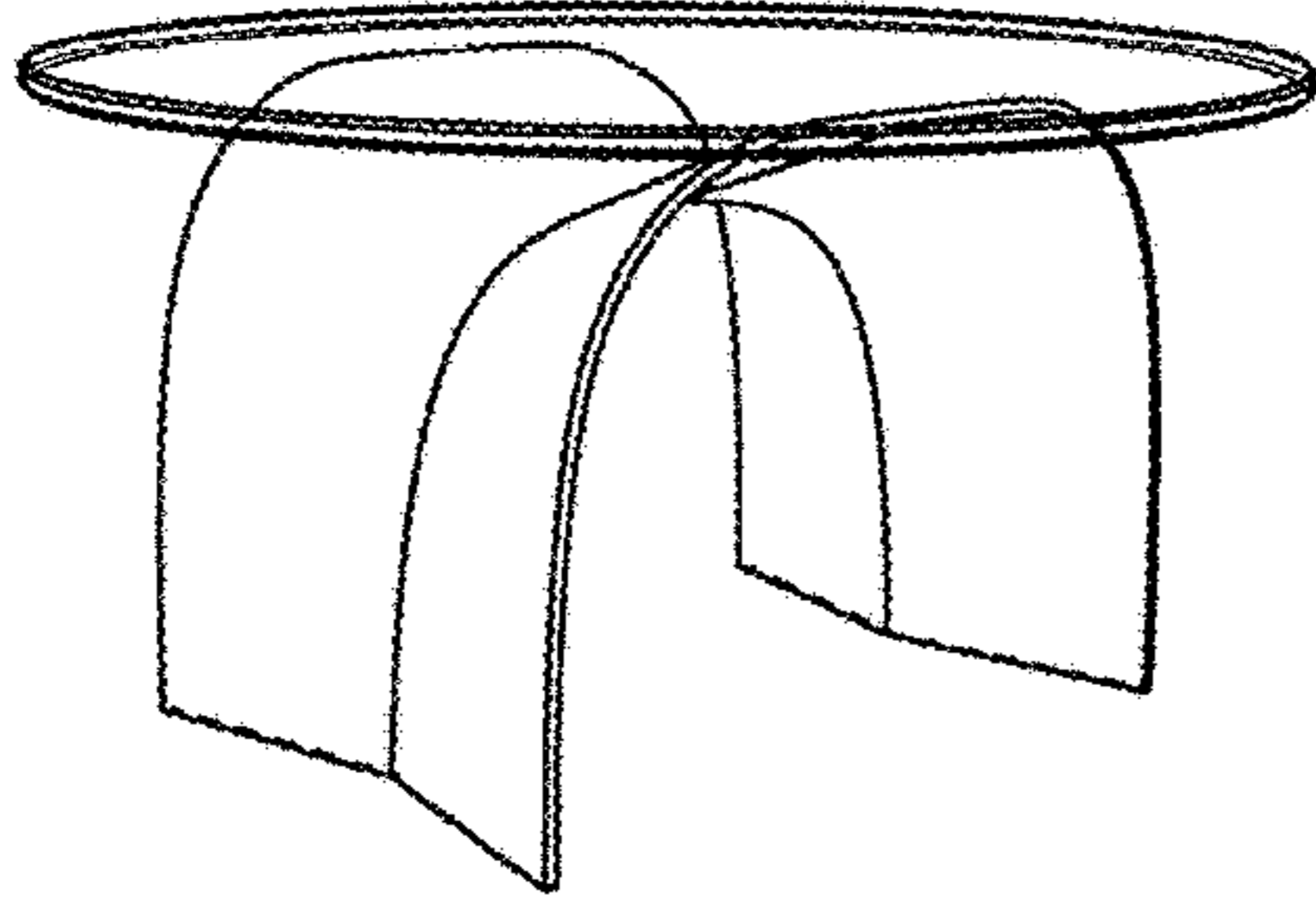


Fig. 1

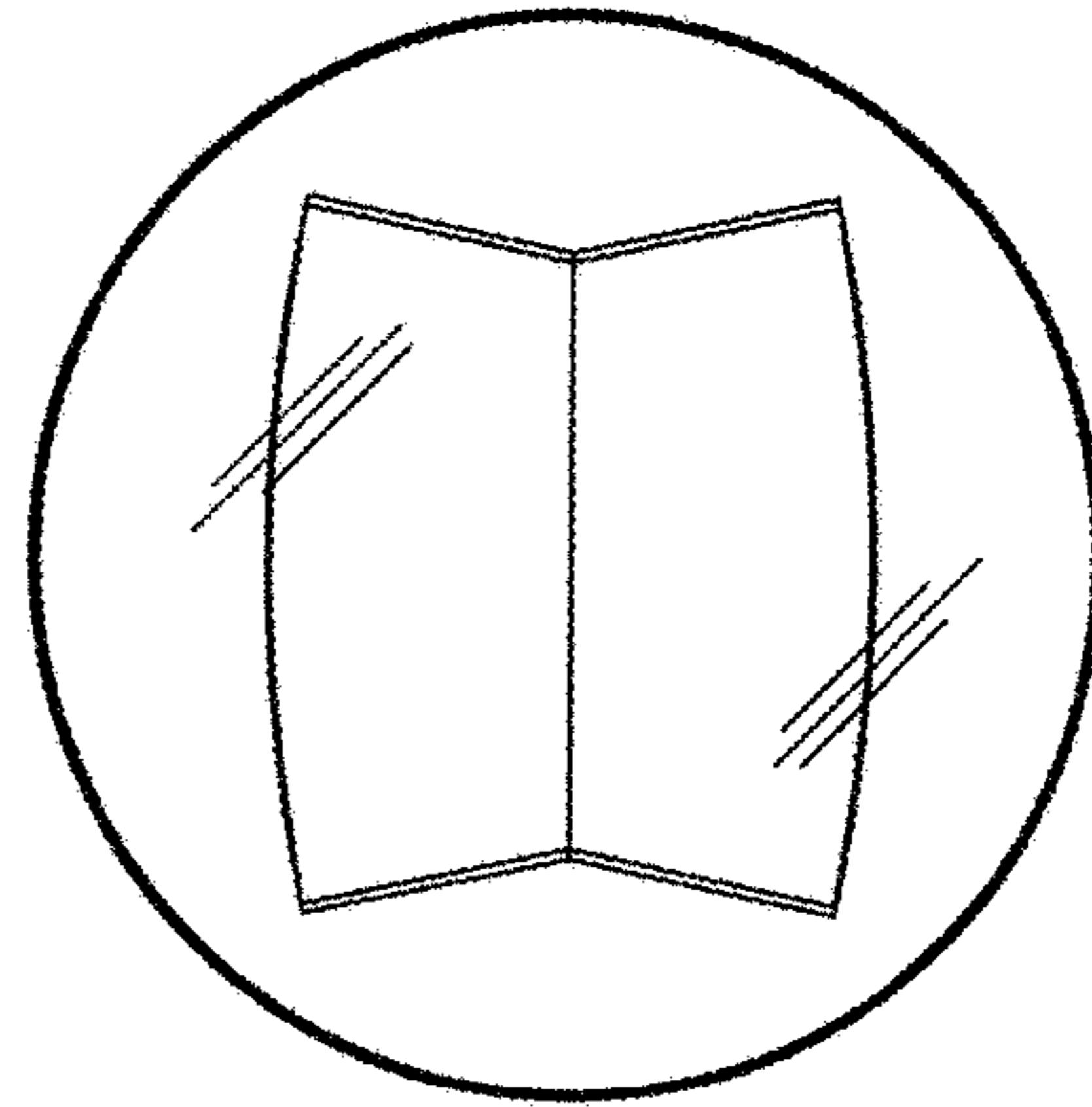


Fig. 2

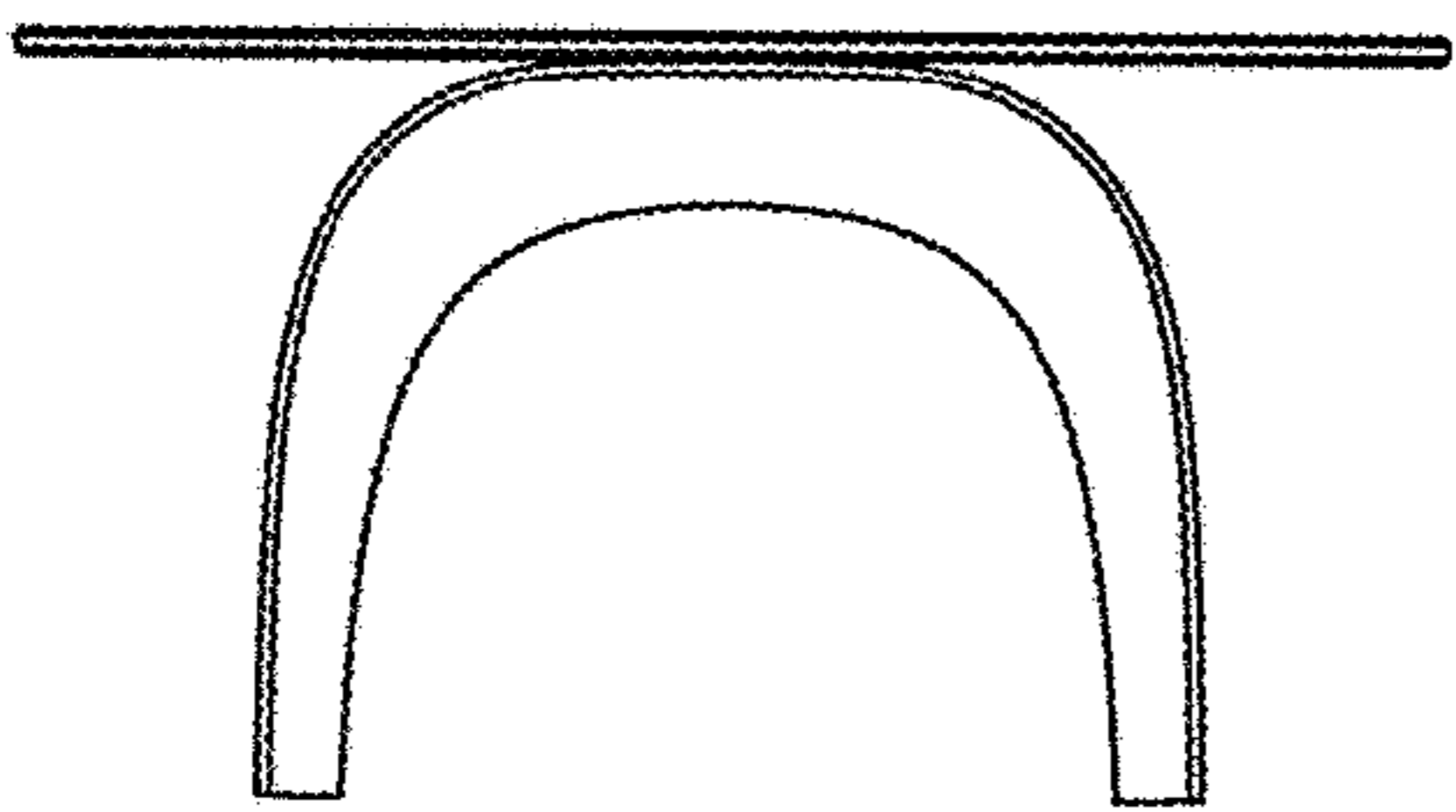


Fig. 3

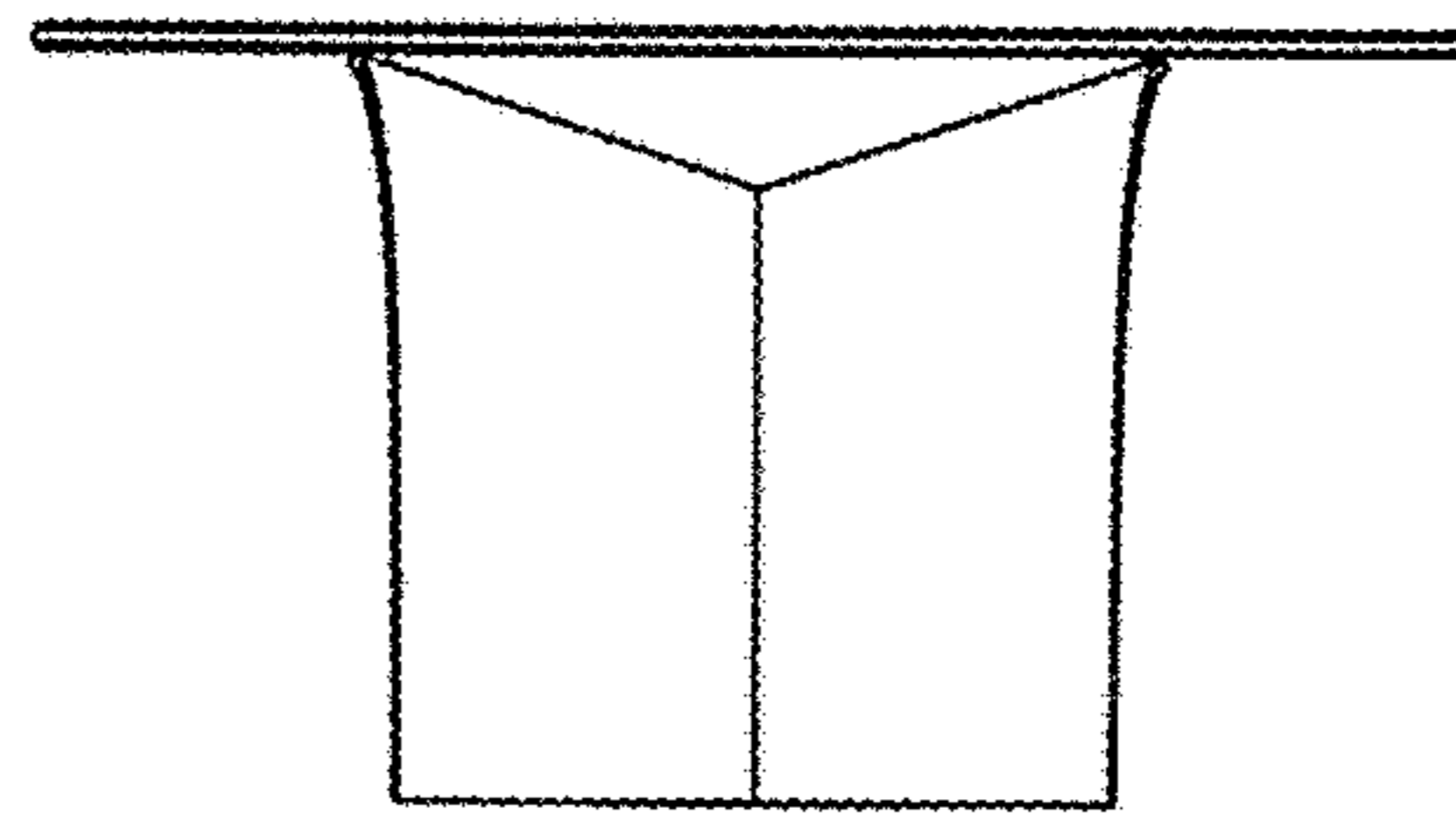


Fig. 4

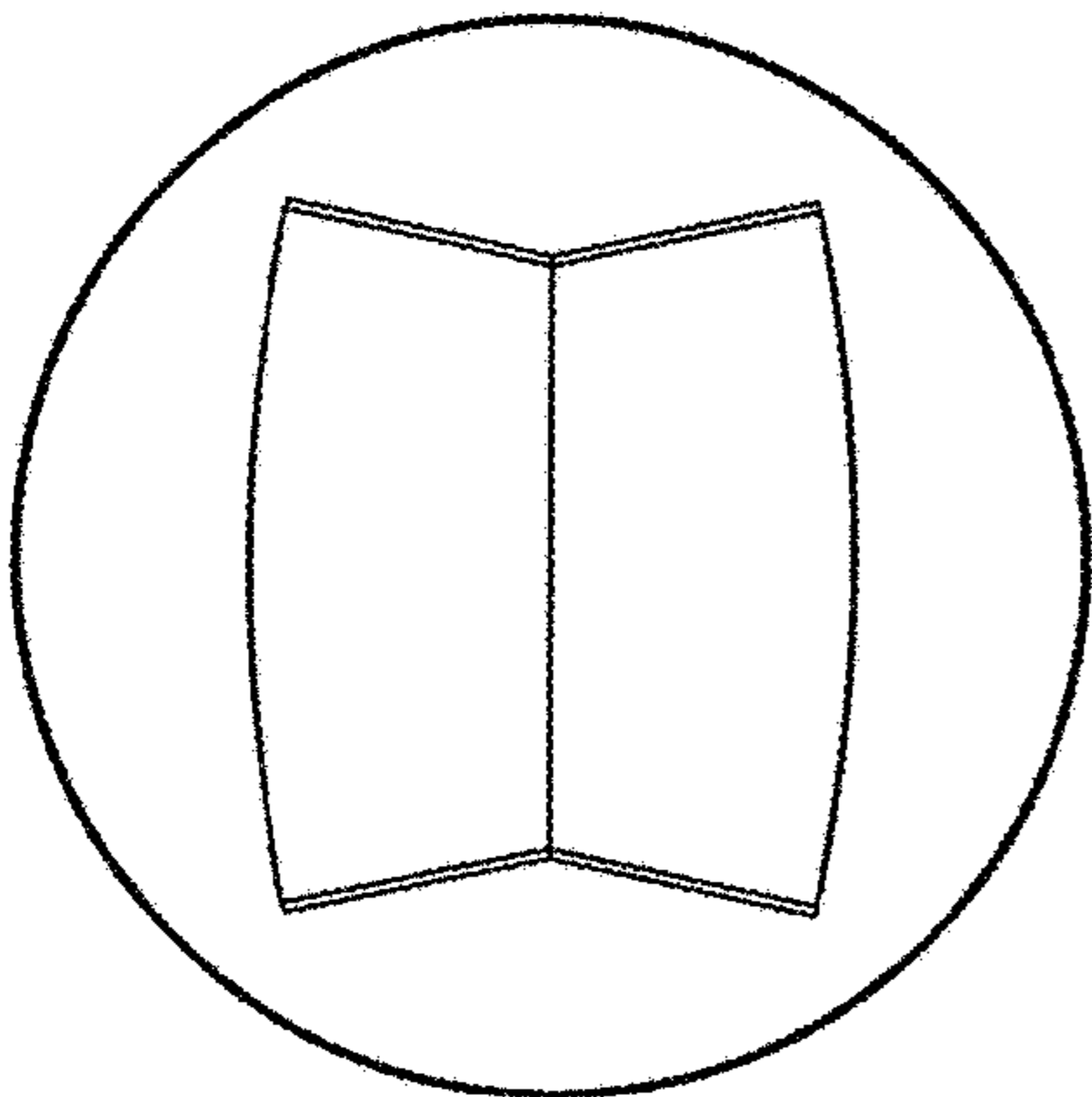


Fig. 5