



US00D838126S

(12) **United States Design Patent** (10) **Patent No.:** **US D838,126 S**  
**Hu** (45) **Date of Patent:** **\*\* Jan. 15, 2019**

(54) **HEIGHT ADJUSTABLE DESK**  
(71) Applicant: **Yajun Hu**, El Dorado Hills, CA (US)  
(72) Inventor: **Yajun Hu**, El Dorado Hills, CA (US)  
(73) Assignees: **Yajun Hu**, El Dorado Hills, CA (US);  
**EUREKA LLC**, El Dorado Hills, CA (US)

D644,044 S \* 8/2011 Kitajima ..... D6/656.17  
8,118,375 B2 2/2012 Berthiaume et al.  
9,038,549 B1 \* 5/2015 Zebarjad ..... A47B 9/02  
108/147  
D776,961 S \* 1/2017 Yamamoto ..... D6/656.16  
9,572,422 B2 2/2017 Ergun et al.  
9,591,919 B2 3/2017 Ergun et al.  
9,635,932 B2 5/2017 Kelley et al.  
D788,494 S \* 6/2017 Yamamoto ..... D6/642  
(Continued)

(\*\*) Term: **15 Years**

(21) Appl. No.: **29/623,588**

(22) Filed: **Oct. 25, 2017**

(51) **LOC (11) Cl.** ..... **06-03**

(52) **U.S. Cl.**  
USPC ..... **D6/655.21**

(58) **Field of Classification Search**  
USPC ..... D6/353, 368, 642, 655-655.23, 656,  
D6/656.1, 656.11, 656.12, 656.13, 656.14,  
D6/656.15, 656.16, 656.17, 656.18,  
D6/656.19, 663, 686, 687, 691, 691.1,  
D6/691.9; D13/19  
CPC .... A47B 1/00; A47B 7/00; A47B 9/00; A47B  
9/10; A47B 9/16; A47B 2009/006; A47B  
11/00; A47B 13/00; A47B 13/081; A47B  
21/0073; A47B 21/02; A47B 21/03; A47B  
2200/005; A47B 2200/0064  
See application file for complete search history.

(56) **References Cited**

**U.S. PATENT DOCUMENTS**

4,703,700 A 11/1987 Sema  
5,323,695 A \* 6/1994 Borgman ..... A47B 9/00  
108/147  
D478,225 S 8/2003 Wang  
D499,273 S 12/2004 Chang  
D499,576 S 12/2004 Long  
D526,812 S 8/2006 Chen  
D547,970 S 8/2007 Chou  
D549,009 S 8/2007 Lin

**OTHER PUBLICATIONS**

Techni, posted at Amazon.com, posted on Jul. 18, 2017, site visited  
Sep. 12, 2018. online, available from internet: <https://www.amazon.com/dp/B075DHNMVJ>.\*

(Continued)

*Primary Examiner* — Mary Ann Calabrese  
*Assistant Examiner* — Catherine Ho

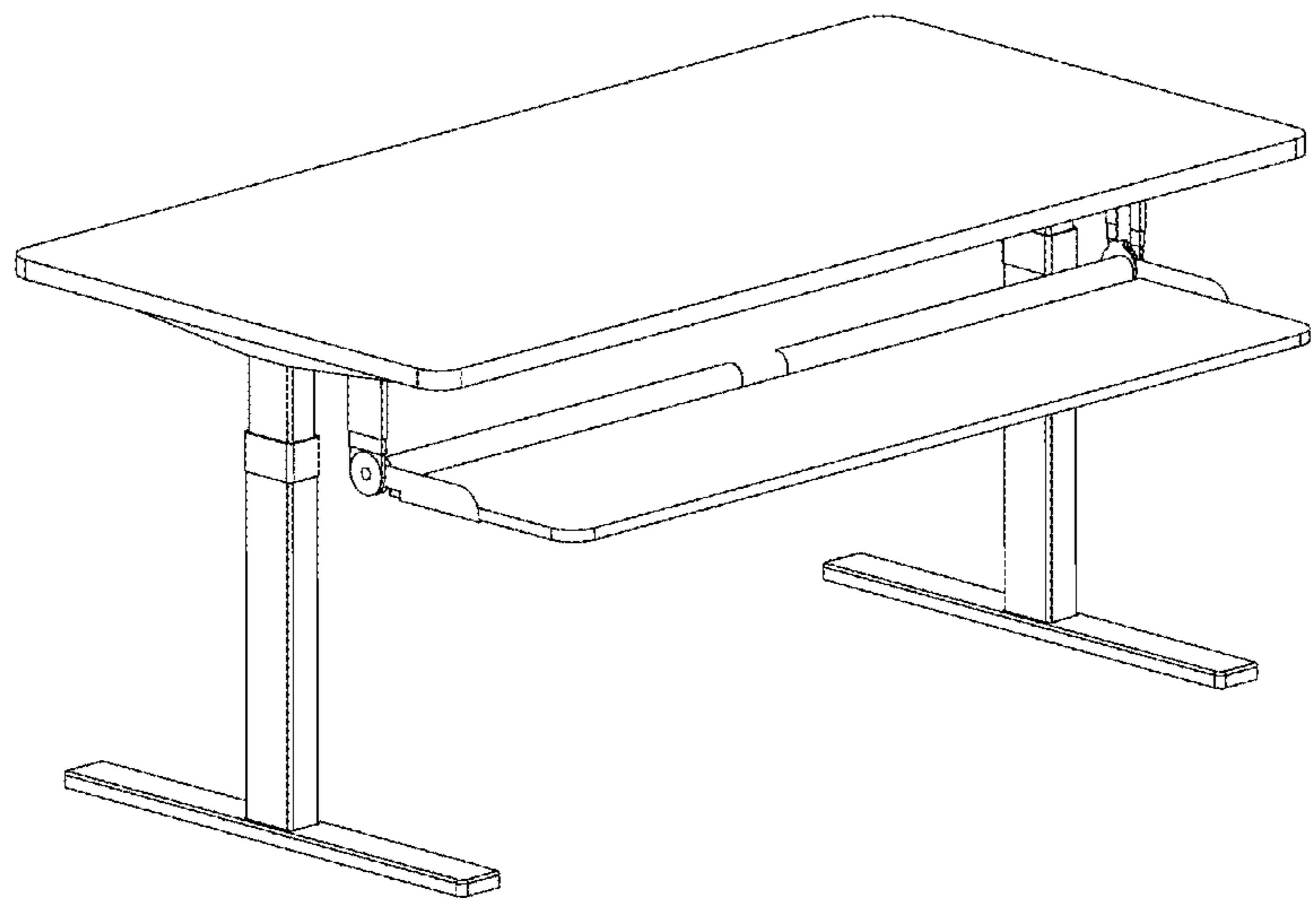
(57) **CLAIM**

The ornamental design for a height adjustable desk, as shown and described.

**DESCRIPTION**

FIG. 1 is a perspective view for a height adjustable desk, showing my new design;  
FIG. 2 is a perspective thereof shown in an extended position;  
FIG. 3 is a perspective view thereof showing the keyboard tray in an alternate position of use;  
FIG. 4 is a perspective view thereof showing the keyboard tray in a second alternate position of use;  
FIG. 5 is a front view of FIG. 2  
FIG. 6 is a bottom view thereof;  
FIG. 7 is a top view thereof;  
FIG. 8 is a rear side view thereof;  
FIG. 9 is a left side view thereof; and,  
FIG. 10 is a right side view thereof.

**1 Claim, 10 Drawing Sheets**



(56)

**References Cited**

U.S. PATENT DOCUMENTS

9,700,135 B2 \* 7/2017 Herring ..... A47B 9/00  
9,814,307 B1 \* 11/2017 Hall ..... B25H 1/14  
D817,036 S \* 5/2018 Palma ..... D6/656.17  
2014/0096706 A1 \* 4/2014 Labrosse ..... A47B 21/02  
108/21  
2017/0251806 A1 \* 9/2017 Newman ..... A47B 21/02  
2018/0064241 A1 \* 3/2018 Tseng ..... A47B 9/10

OTHER PUBLICATIONS

32" Mobile Ergonomic Stand up Desk, posted at Amazon.com, posted on Jan. 8, 2014, site visited Sep. 12, 2018. online, available from internet: <https://www.amazon.com/dp/B00HDRIRJY>.\*

Pneumatic, posted at Amazon.com, posted on Mar. 14, 2017, site visited Sep. 12, 2018. online, available from internet: <https://www.amazon.com/dp/B0781425QF>.\*

ApexDesk, posted at Amazon.com, posted on Oct. 16, 2015, site visited Sep. 12, 2018. online, available from internet: <https://www.amazon.com/dp/B01LZ5MI3N>.\*

\* cited by examiner

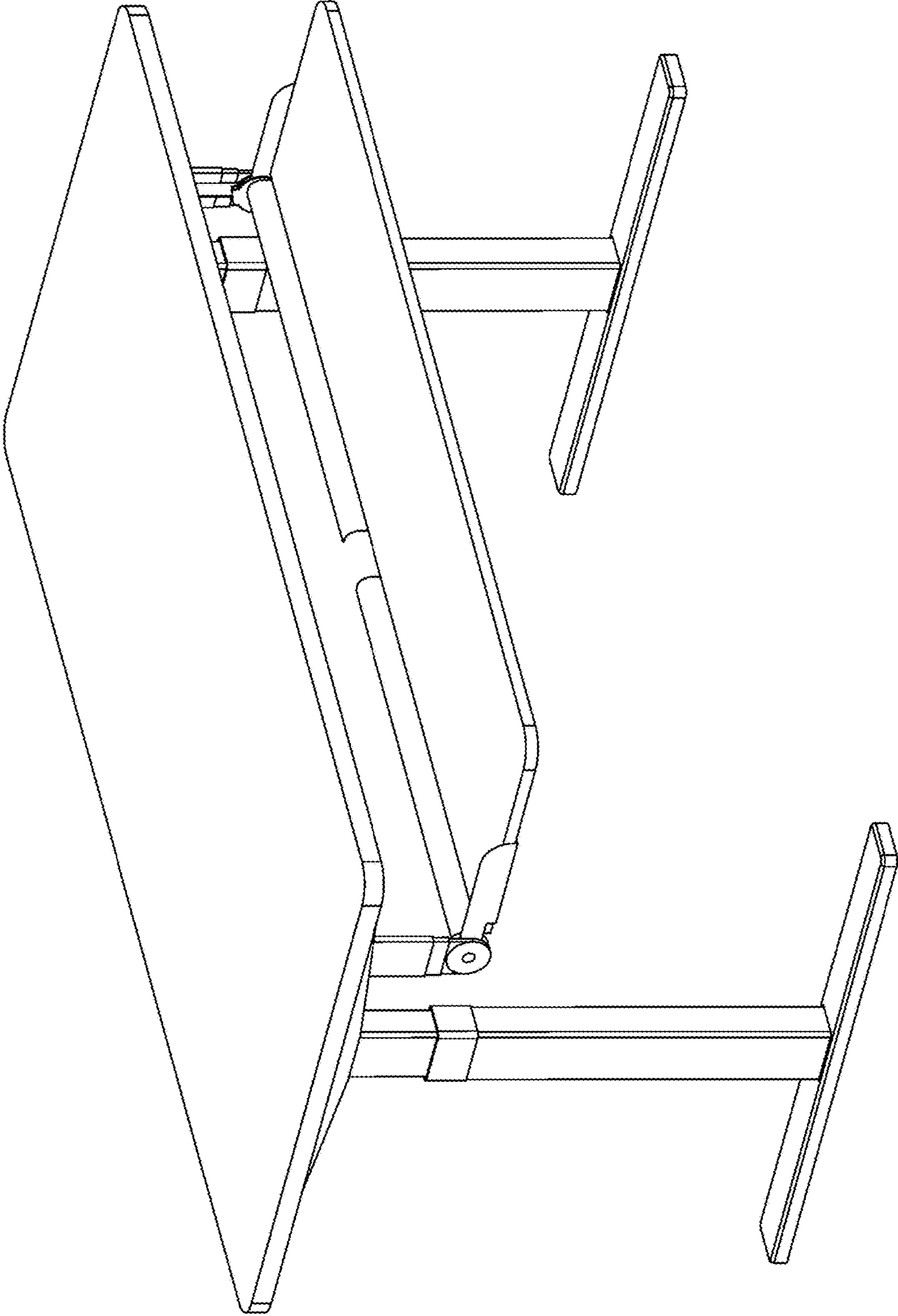


FIG.1

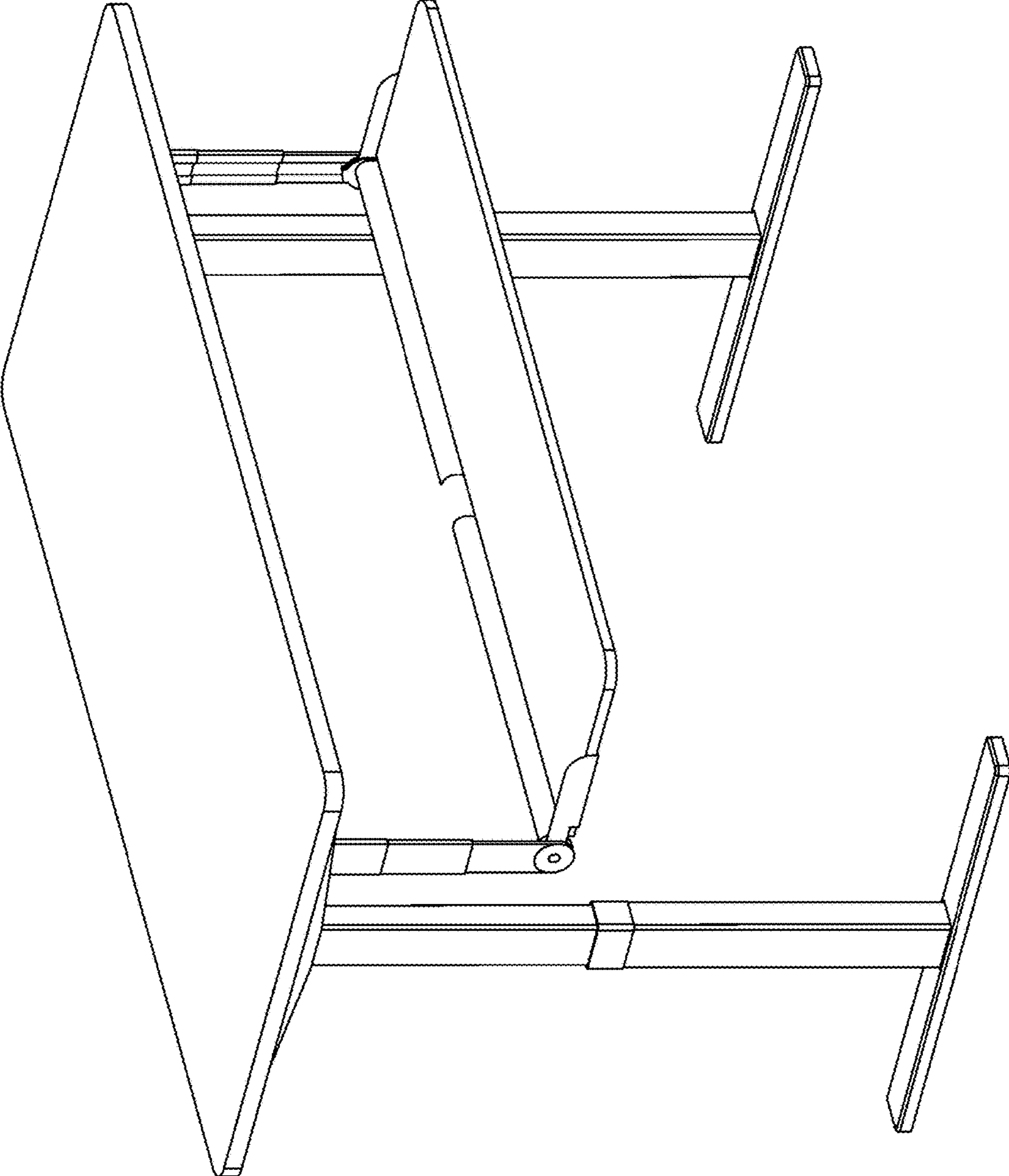


FIG.2

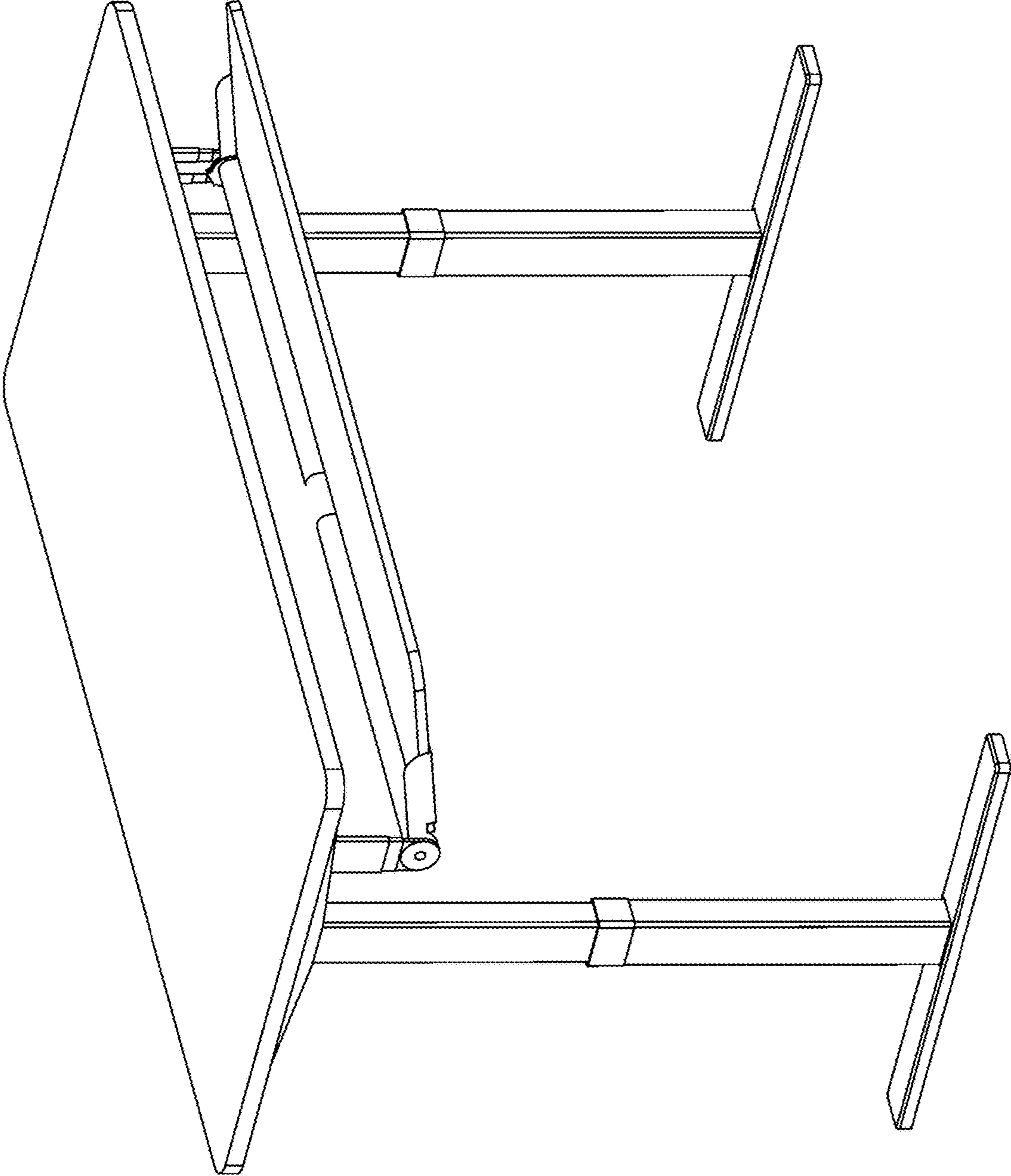


FIG.3

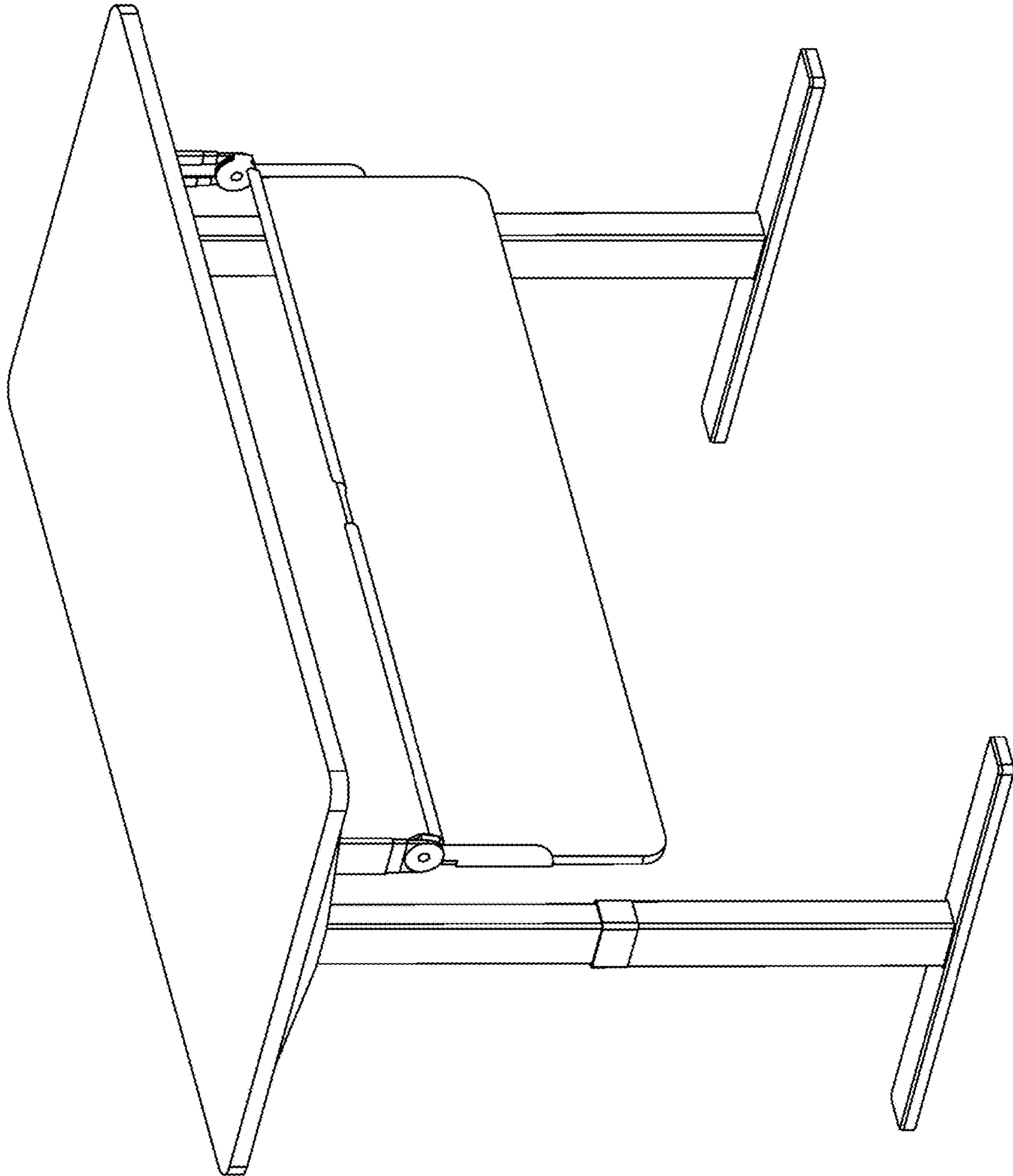


FIG.4

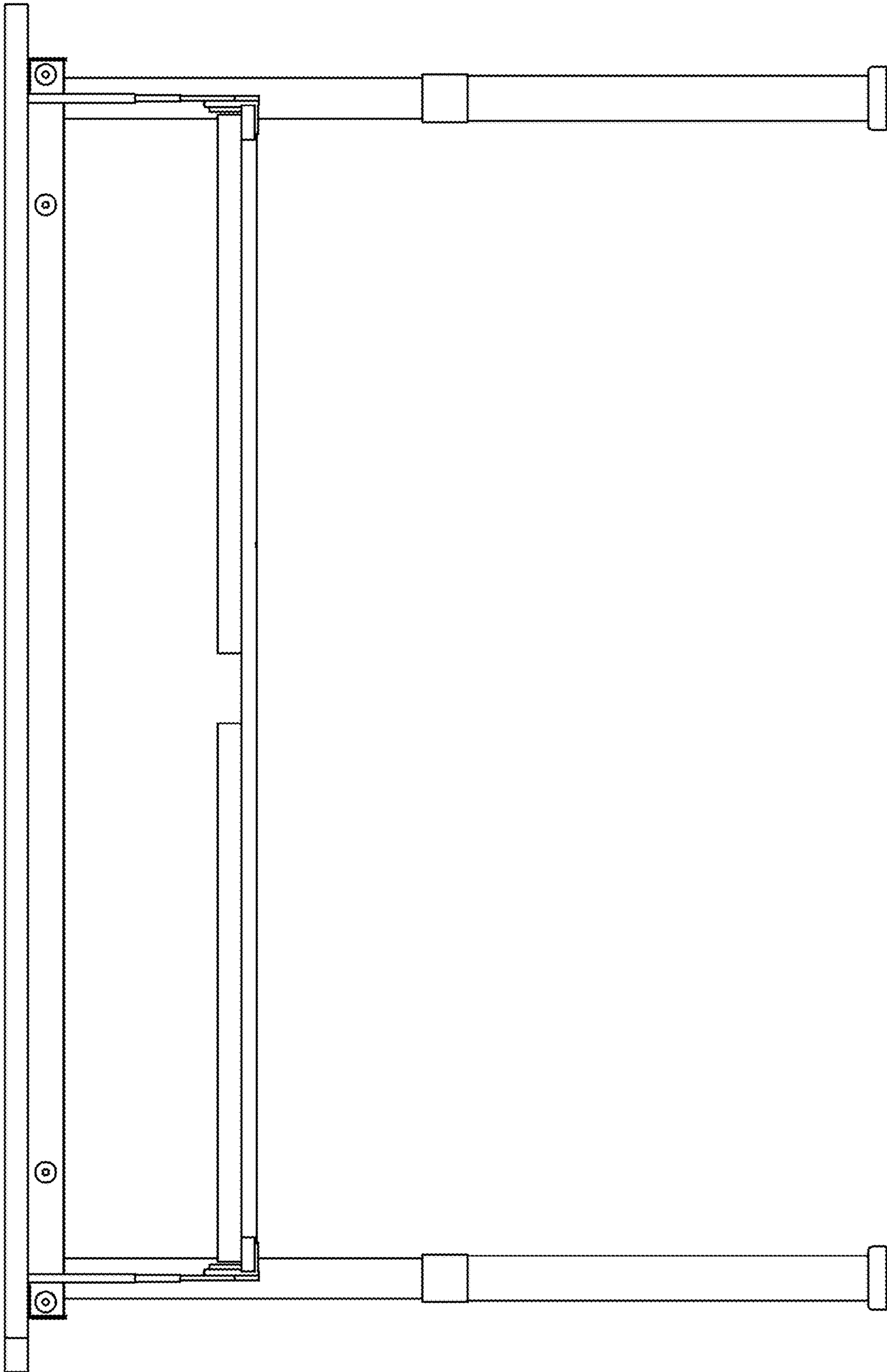


FIG. 5

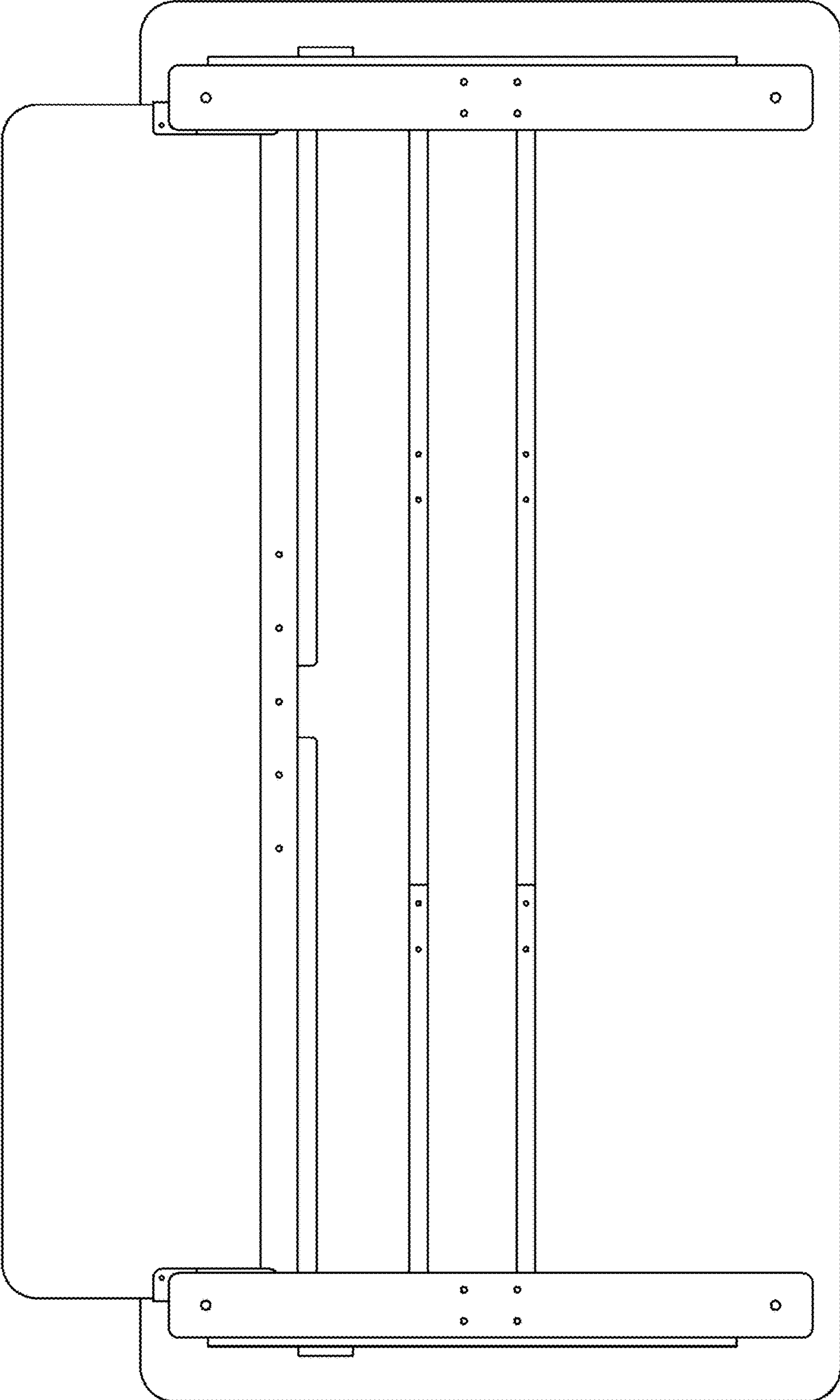


FIG.6



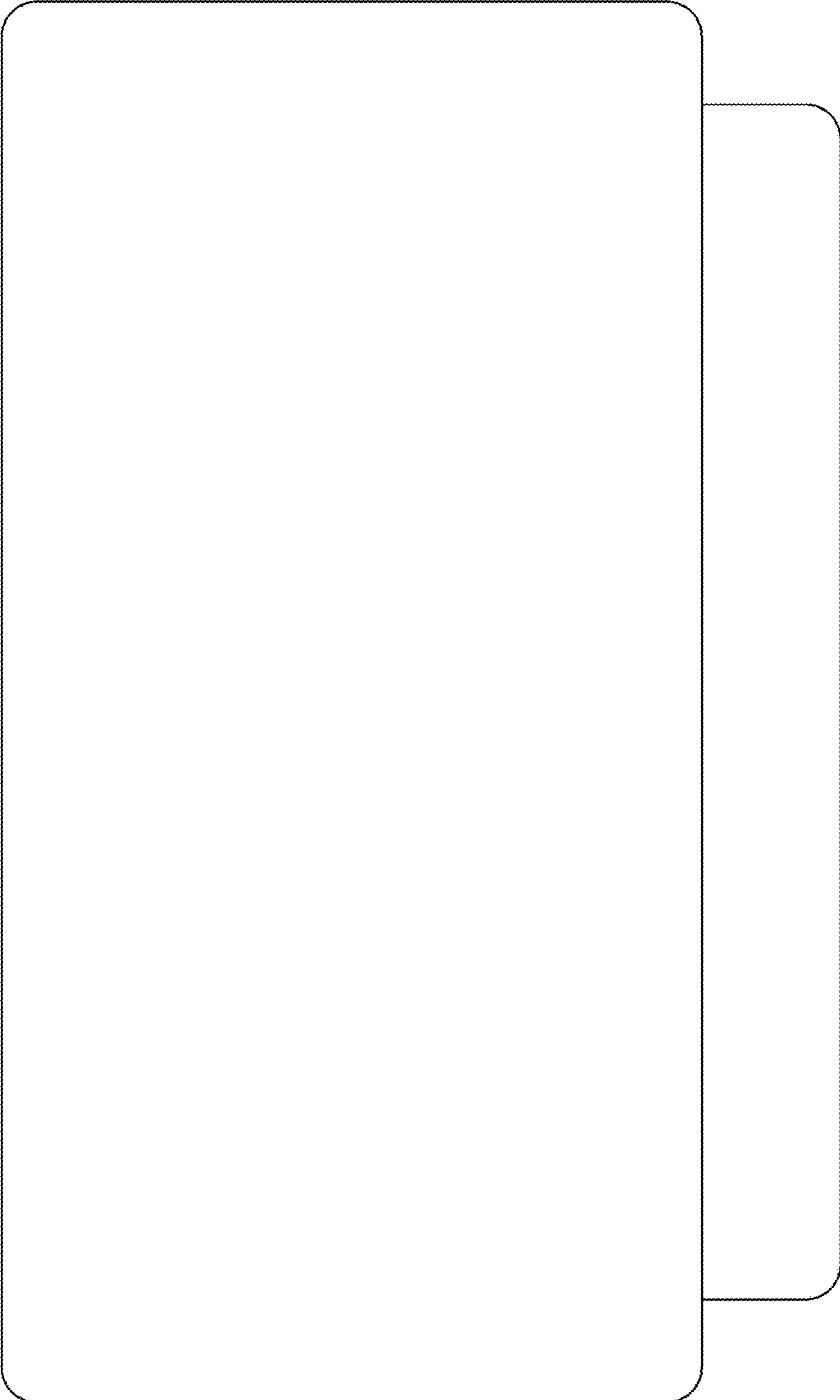


FIG. 7

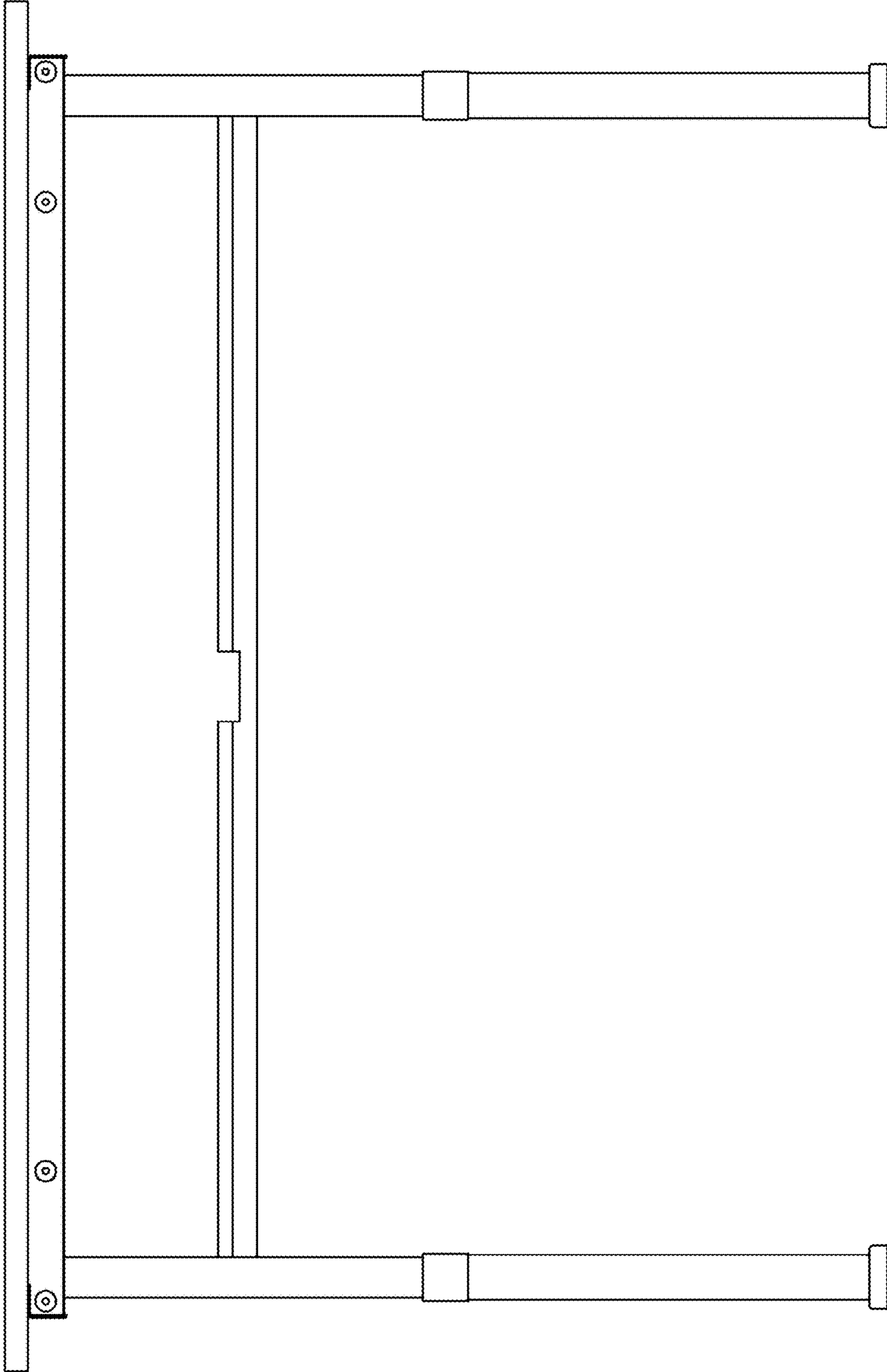


FIG.8

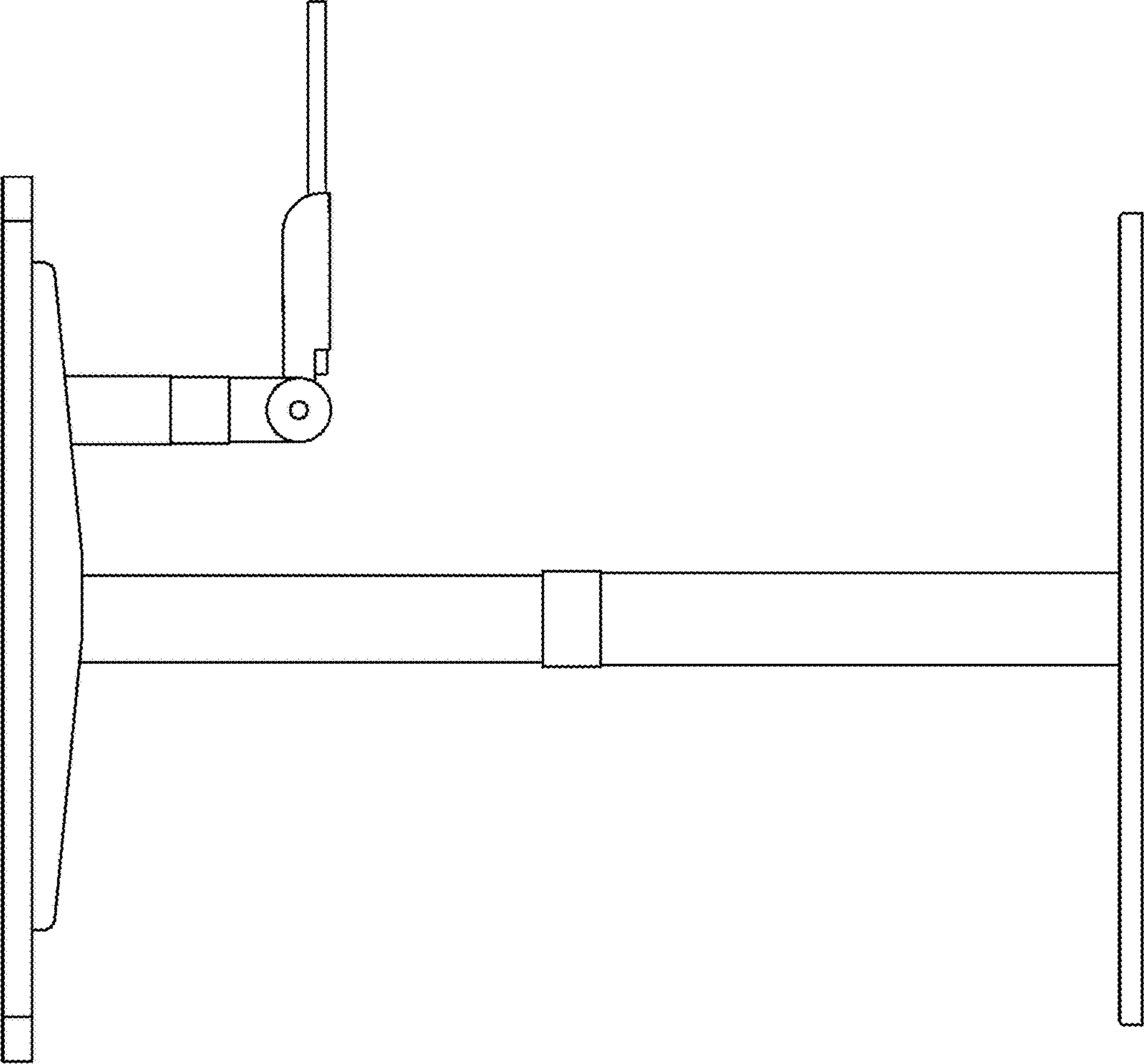


FIG.9

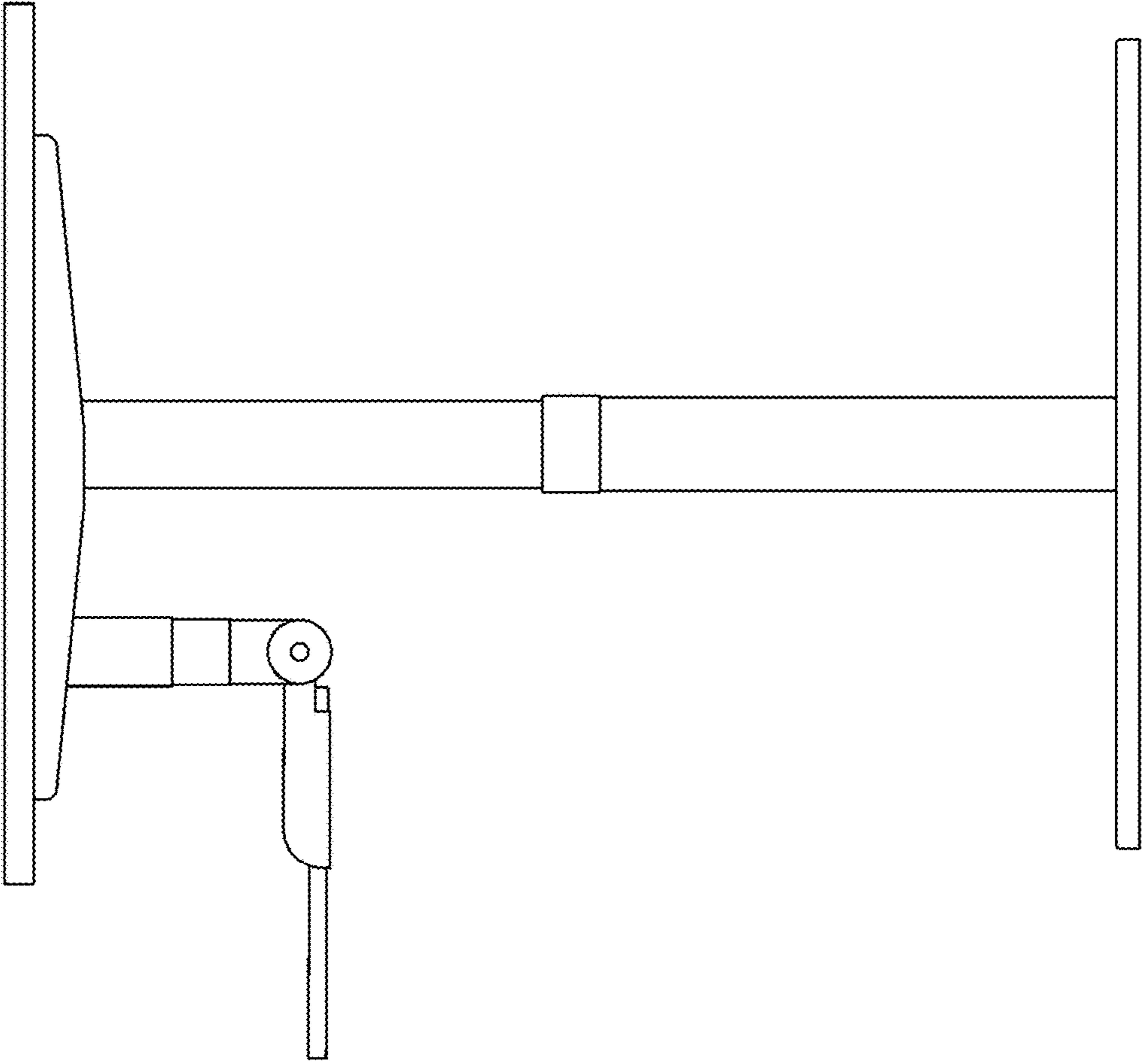


FIG.10