



US00D838125S

(12) **United States Design Patent** (10) **Patent No.:** **US D838,125 S**
Kreutzer (45) **Date of Patent:** **** Jan. 15, 2019**

(54) **SLEEPING BAG COVER FOR AN AIR MATTRESS**
(71) Applicant: **Kevin Kreutzer**, Abilene, KS (US)
(72) Inventor: **Kevin Kreutzer**, Abilene, KS (US)
(**) Term: **15 Years**
(21) Appl. No.: **29/594,089**
(22) Filed: **Feb. 15, 2017**
(51) **LOC (11) Cl.** **06-99**
(52) **U.S. Cl.**
USPC **D6/606**
(58) **Field of Classification Search**
USPC D6/333, 349, 355, 375, 388, 512, 563,
D6/564, 595, 596, 601, 604, 611, 707,
D6/715, 716, 716.1; D24/183-185, 234;
D21/803, 804, 805, 809; 5/401, 420,
5/600, 630, 631, 632, 633, 635, 636, 638,
5/639, 646, 652, 652.1, 655, 703, 730;
297/401, 420, 600, 630, 631, 632, 633,
297/635, 636, 638, 639, 646, 652, 652.1,
297/655, 703, 730
CPC .. A47G 9/1018; A47G 9/1009; A47G 9/1027;
A47G 9/1045; A47G 9/1063; A47G
9/1072; A47G 9/1081
See application file for complete search history.

(56) **References Cited**
U.S. PATENT DOCUMENTS
4,476,594 A * 10/1984 McLeod A47C 21/06
5/701
D517,844 S * 3/2006 Gladney D6/606
7,051,387 B1 * 5/2006 Yoder A47G 9/086
2/69.5
D713,655 S * 9/2014 Blatt D6/596
9,247,835 B2 * 2/2016 Blethen A47G 9/04
9,265,368 B2 * 2/2016 Blethen A47G 9/0238
D792,124 S * 7/2017 Blatt D6/596
D794,981 S * 8/2017 Roma D6/596

2004/0226100 A1* 11/2004 Small, Jr. A47C 27/0456
5/698
2009/0044337 A1* 2/2009 McKee A47G 9/02
5/496
2010/0251482 A1* 10/2010 MacDonald A47G 9/02
5/494
2011/0033686 A1* 2/2011 Kawka B32B 5/022
428/219
(Continued)

OTHER PUBLICATIONS

Guide Gear Twin Air Bed Fitted Cover/Sleeping Bag, earliest review Jun. 27, 2009, [online], [site visited Feb. 9, 2018]. Available from Internet, <URL: https://www.amazon.com/Guide-Gear-Fitted-Cover-Sleeping/dp/B0015LRUHO/ref=cm_cr_arp_d_product_top?ie=UTF8>.*
(Continued)

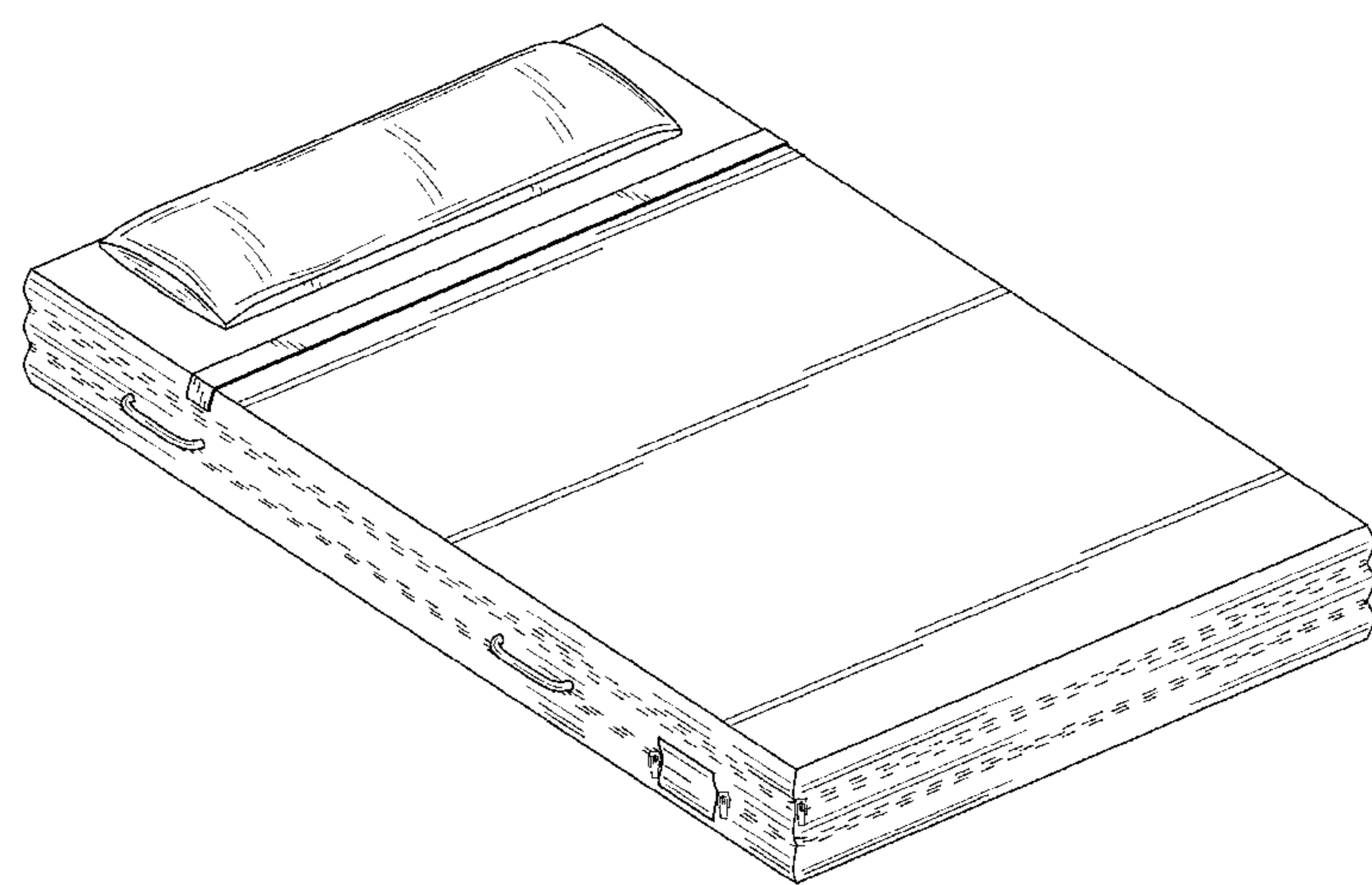
Primary Examiner — Michelle E. Wilson
Assistant Examiner — Sanjeev Paul
(74) *Attorney, Agent, or Firm* — Cramer Patent & Design, PLLC; Aaron R. Cramer

(57) **CLAIM**
The ornamental design for a sleeping bag cover for an air mattress, as shown and described.

DESCRIPTION

FIG. 1 is a perspective top front view of a sleeping bag cover for an air mattress, showing my new design;
FIG. 2 is a front elevation view thereof;
FIG. 3 is a rear elevation view thereof;
FIG. 4 is a left elevation view thereof;
FIG. 5 is a right elevation view thereof;
FIG. 6 is a top plan view thereof; and,
FIG. 7 is a bottom plan view thereof.
The broken lines represent the unclaimed regions of a boundary area for a means of opening and closing a sleeping bag cover for an air mattress zipper.

1 Claim, 7 Drawing Sheets



(56)

References Cited

U.S. PATENT DOCUMENTS

2011/0162140 A1* 7/2011 Paris A47C 31/105
5/499
2012/0167302 A1* 7/2012 Malouf A47C 31/007
5/484
2012/0204348 A1* 8/2012 Bayer A47G 9/02
5/413 R
2014/0352064 A1* 12/2014 Blethen A47G 9/0238
5/494
2015/0007389 A1* 1/2015 Blethen A47G 9/0246
5/494

OTHER PUBLICATIONS

Kevin Kreutzer | Combination Sleeping Bag and Mattress, dated May 10, 2017 [online: YouTube], [site visited Feb. 9, 2018]. Available from Internet, <URL:<https://www.youtube.com/watch?v=v2skOkf6DyU&feature=youtu.be>>.*

* cited by examiner

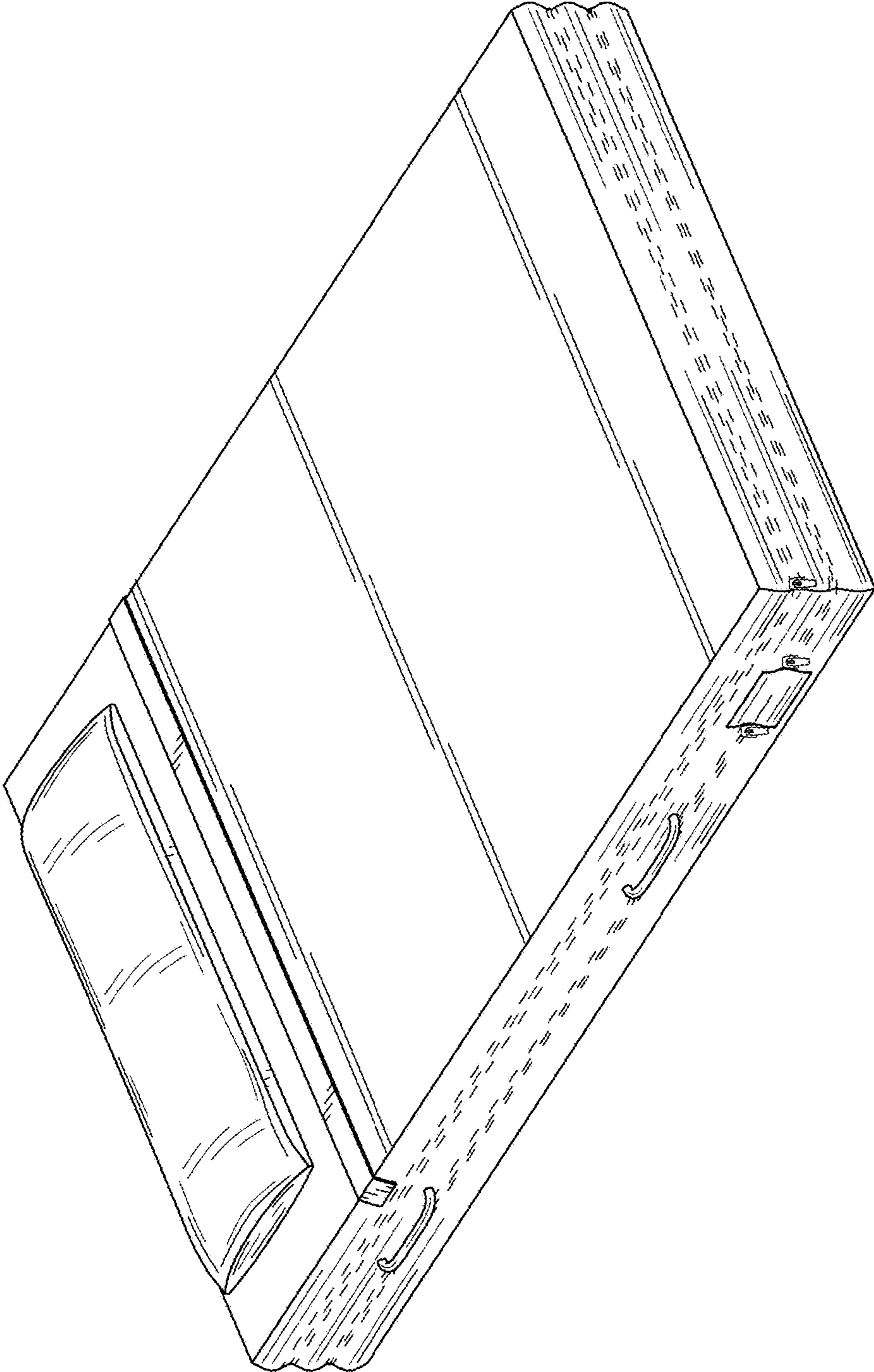


FIG. 1

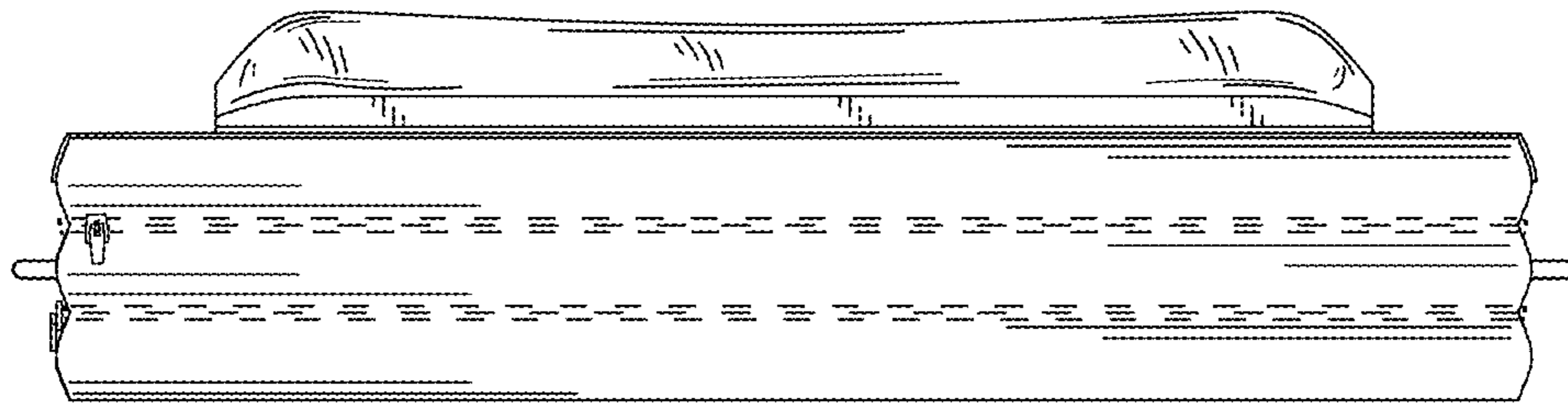


FIG. 2

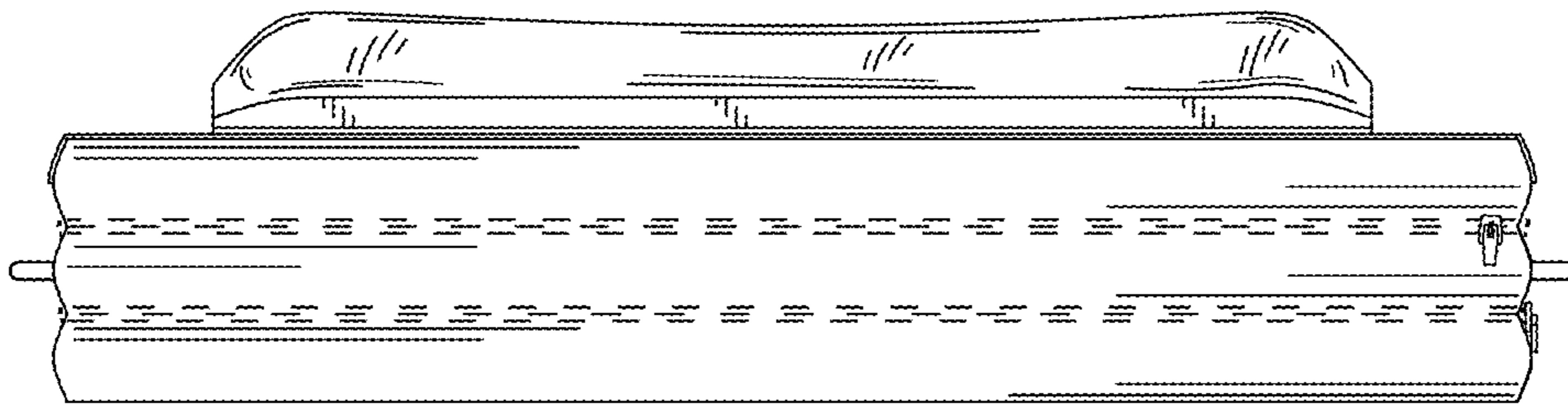


FIG. 3

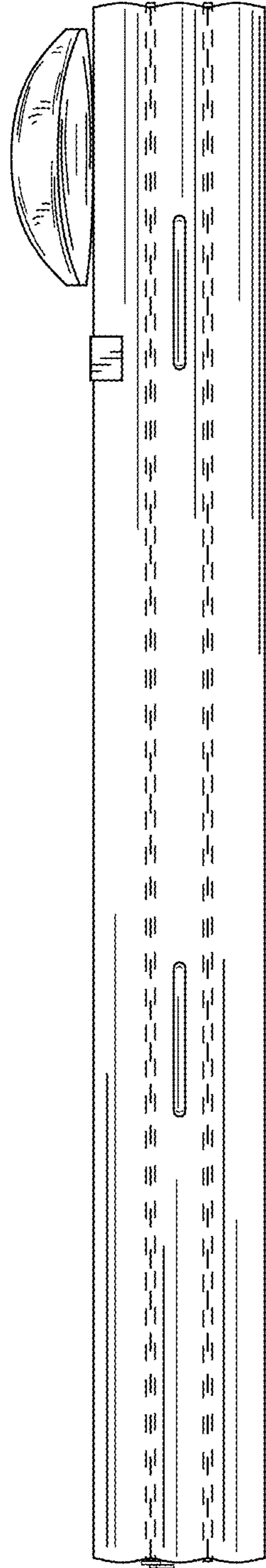


FIG. 4

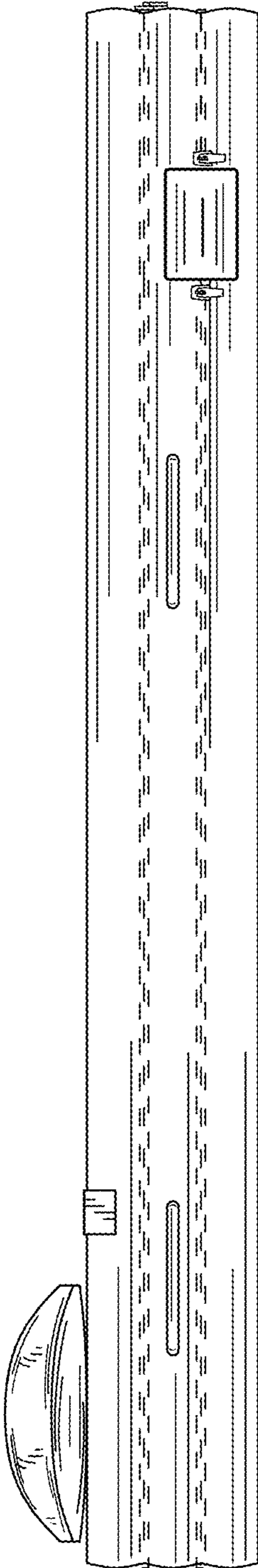


FIG. 5

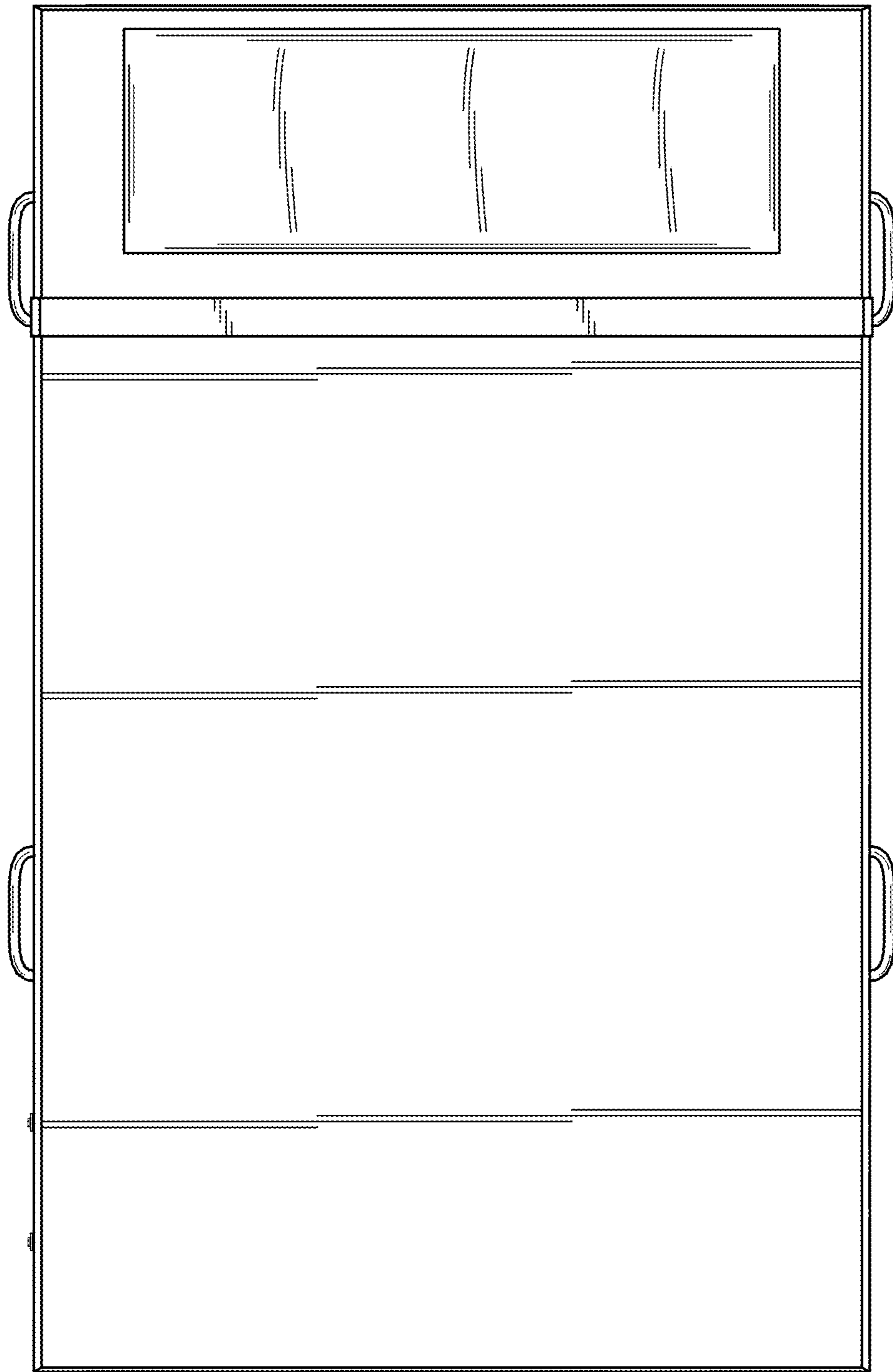


FIG. 6

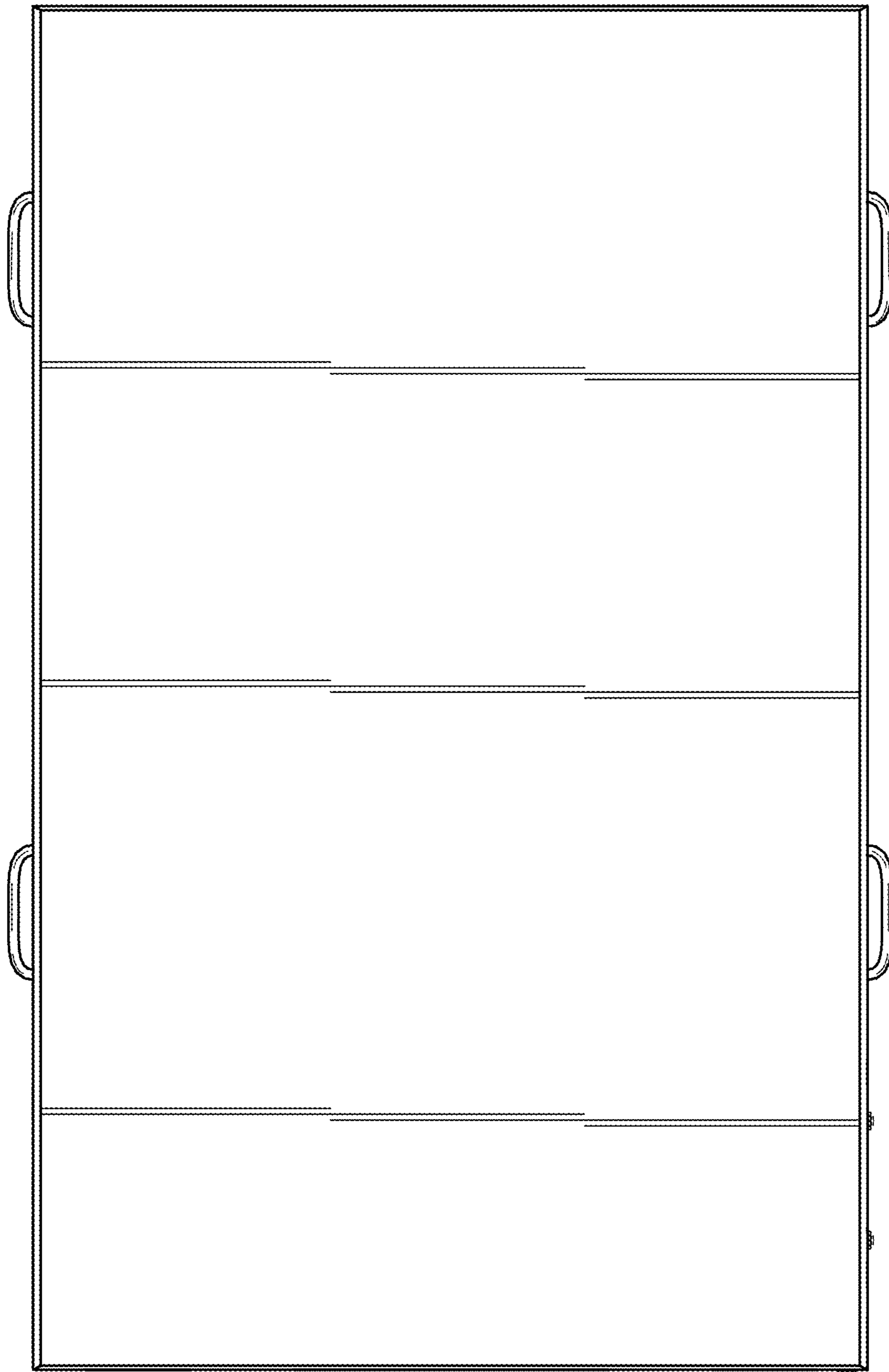


FIG. 7