



US00D838122S

(12) **United States Design Patent** (10) **Patent No.:** **US D838,122 S**
Faniku et al. (45) **Date of Patent:** **** Jan. 15, 2019**

(54) **INFANT MATTRESS**
(71) Applicants: **Andrew Faniku**, Del Rio, TX (US);
Josephine Faniku, Del Rio, TX (US)
(72) Inventors: **Andrew Faniku**, Del Rio, TX (US);
Josephine Faniku, Del Rio, TX (US)
(**) Term: **15 Years**
(21) Appl. No.: **29/552,335**
(22) Filed: **Jan. 21, 2016**
(51) **LOC (11) Cl.** **06-09**
(52) **U.S. Cl.**
USPC **D6/596**
(58) **Field of Classification Search**
USPC D6/582-583, 587-592, 595-609,
D6/617-622; D21/803-809; D24/183
CPC . A47D 7/00; A47D 9/00; A47D 13/00; A47D
15/00; A61G 13/00; B60N 2/80
See application file for complete search history.

D618,943 S * 7/2010 Gold D6/596
D624,344 S * 9/2010 Kashey D6/601
D629,571 S * 12/2010 Gryner, Jr. D30/119
D642,278 S * 7/2011 Sharps D24/184
D642,280 S * 7/2011 Goumas D24/183
D666,046 S * 8/2012 Xiong D6/601
D698,448 S * 1/2014 Heck D24/191
D731,813 S * 6/2015 Durkin D6/601
D754,990 S * 5/2016 Velasquez D6/601
D800,480 S * 10/2017 Paperno A41B 13/06
D6/596
2005/0210592 A1* 9/2005 Littlehorn A47D 15/003
5/655
2008/0092299 A1* 4/2008 Gudel Kemm A47D 13/08
5/655
2009/0001801 A1* 1/2009 Gold A47D 5/00
297/452.47

* cited by examiner

Primary Examiner — Mary Ann Calabrese
Assistant Examiner — Jennifer L Rempfer
(74) *Attorney, Agent, or Firm* — Jackson Walker LLP

(57) **CLAIM**

The ornamental design for an infant mattress, as shown and described.

(56) **References Cited**

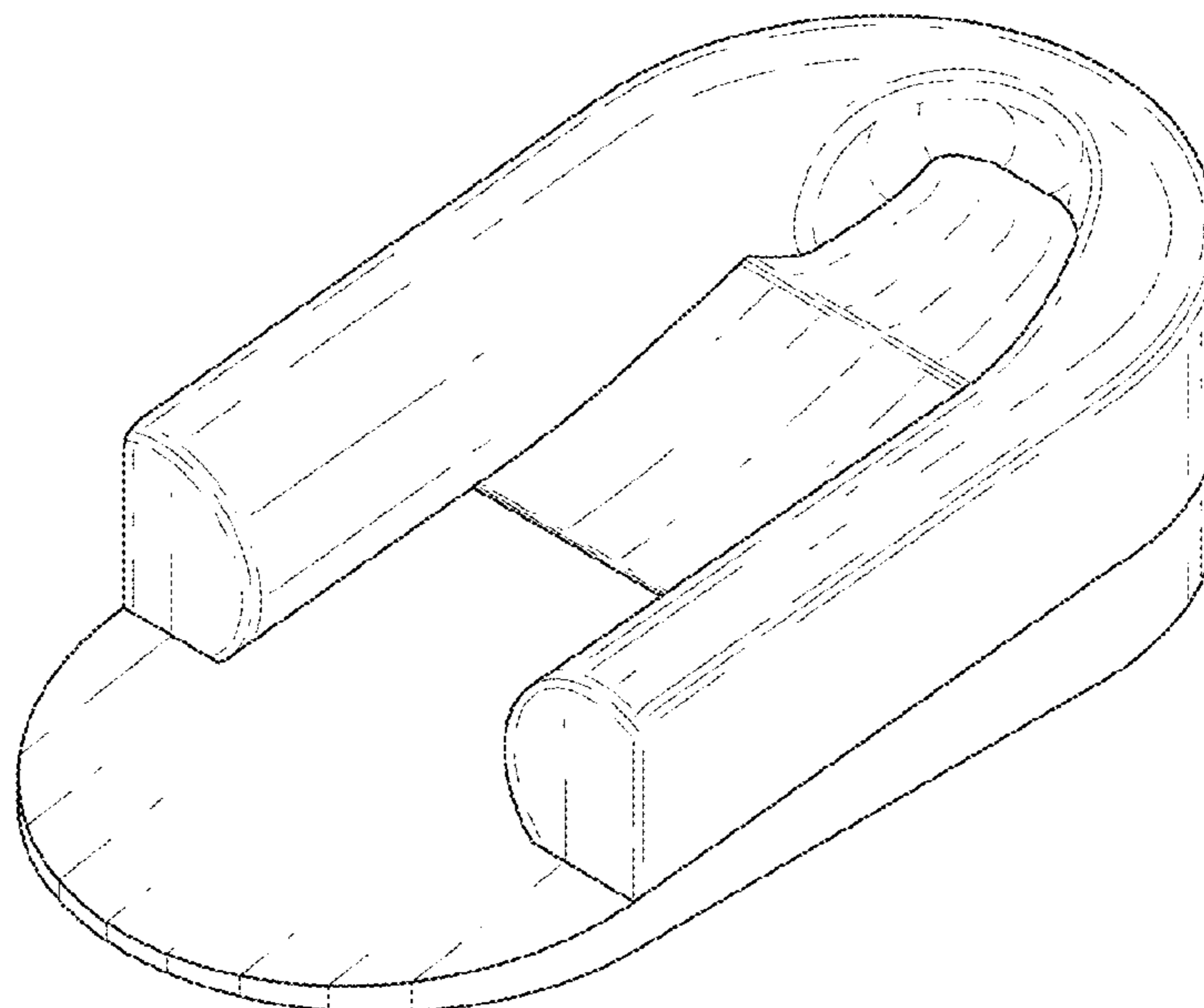
U.S. PATENT DOCUMENTS

D259,458 S * 6/1981 Fuller 5/655
D309,068 S * 7/1990 Jordan 5/655
D333,752 S * 3/1993 Mason D6/596
D342,855 S * 1/1994 Butler, II 5/655
5,551,108 A * 9/1996 Butler, III A47D 5/006
190/1
D393,772 S * 4/1998 Vingino 5/655
D438,046 S * 2/2001 Palm 5/630
6,321,403 B1 * 11/2001 Matthews A47D 5/00
5/637
6,966,089 B2 * 11/2005 Gold A47C 7/386
297/219.12

DESCRIPTION

FIG. 1 is a top front perspective view of the invention.
FIG. 2 is a top rear perspective view of the invention.
FIG. 3 is a top plan view of the invention.
FIG. 4 is a bottom plan view of the invention.
FIG. 5 is a front elevation view of the invention.
FIG. 6 is a rear elevation view of the invention.
FIG. 7 is a left elevation view of the invention; and,
FIG. 8 is a right elevation view of the invention.

1 Claim, 4 Drawing Sheets



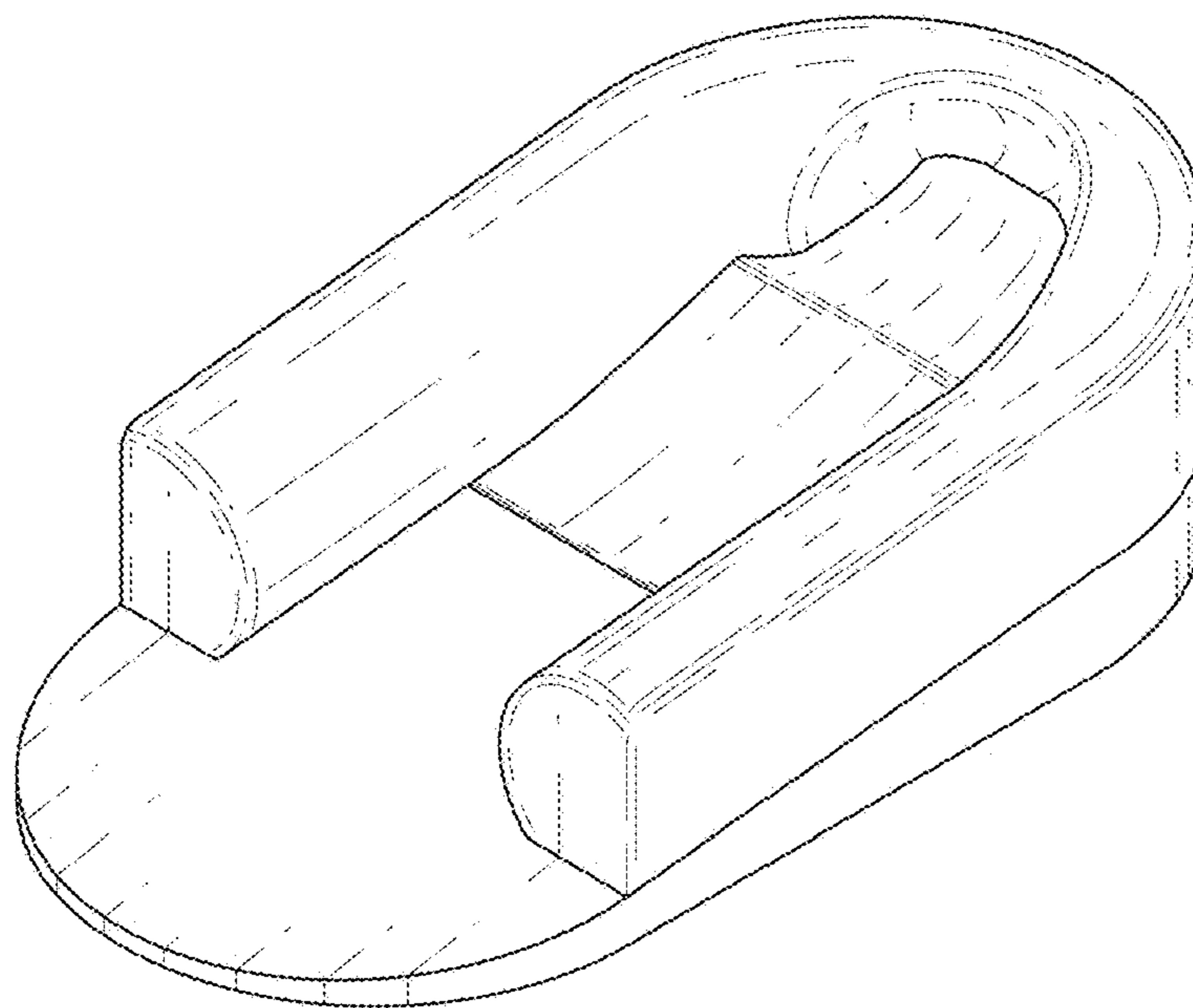


FIG. 1

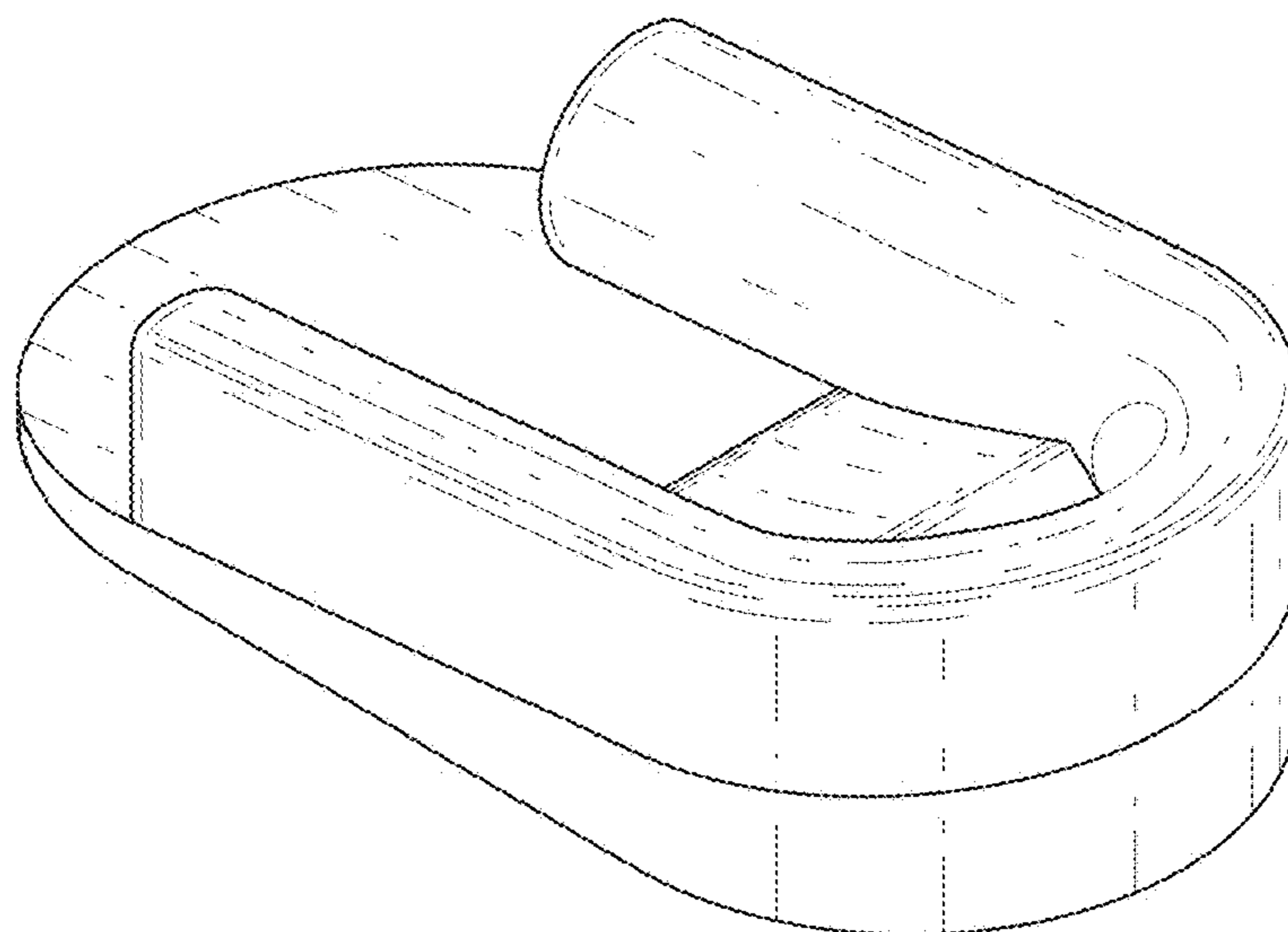


FIG. 2

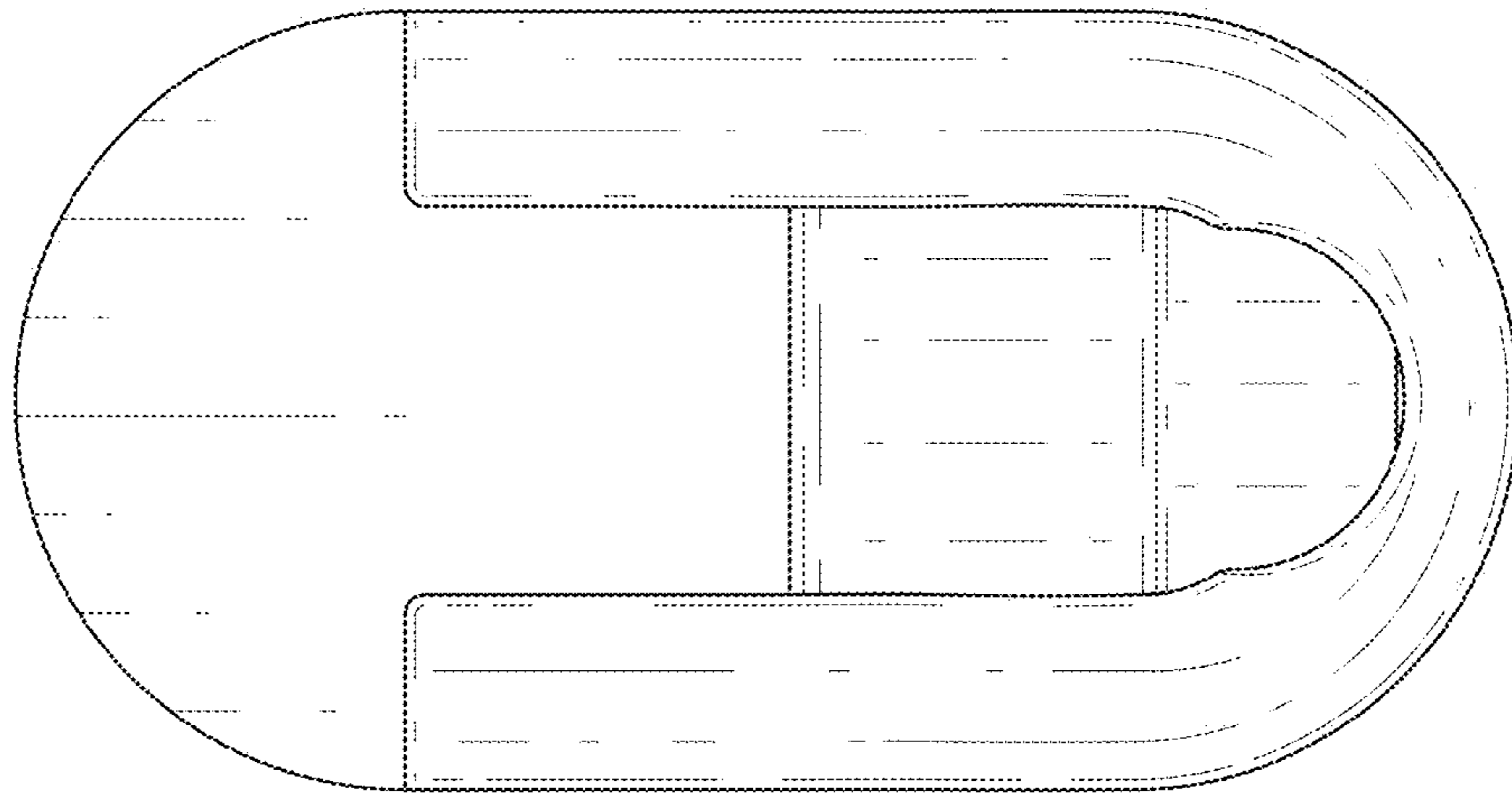


FIG. 3

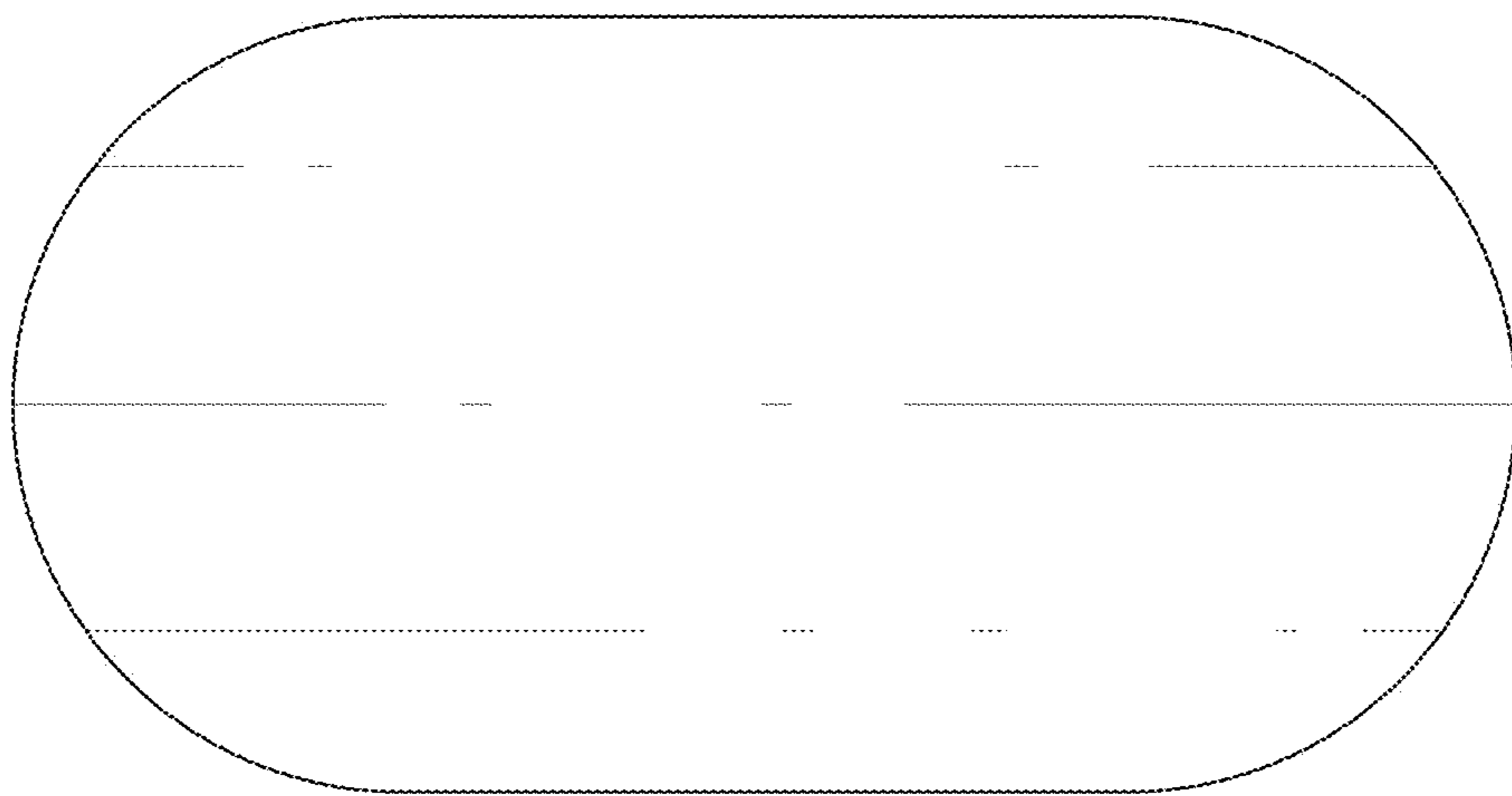


FIG. 4

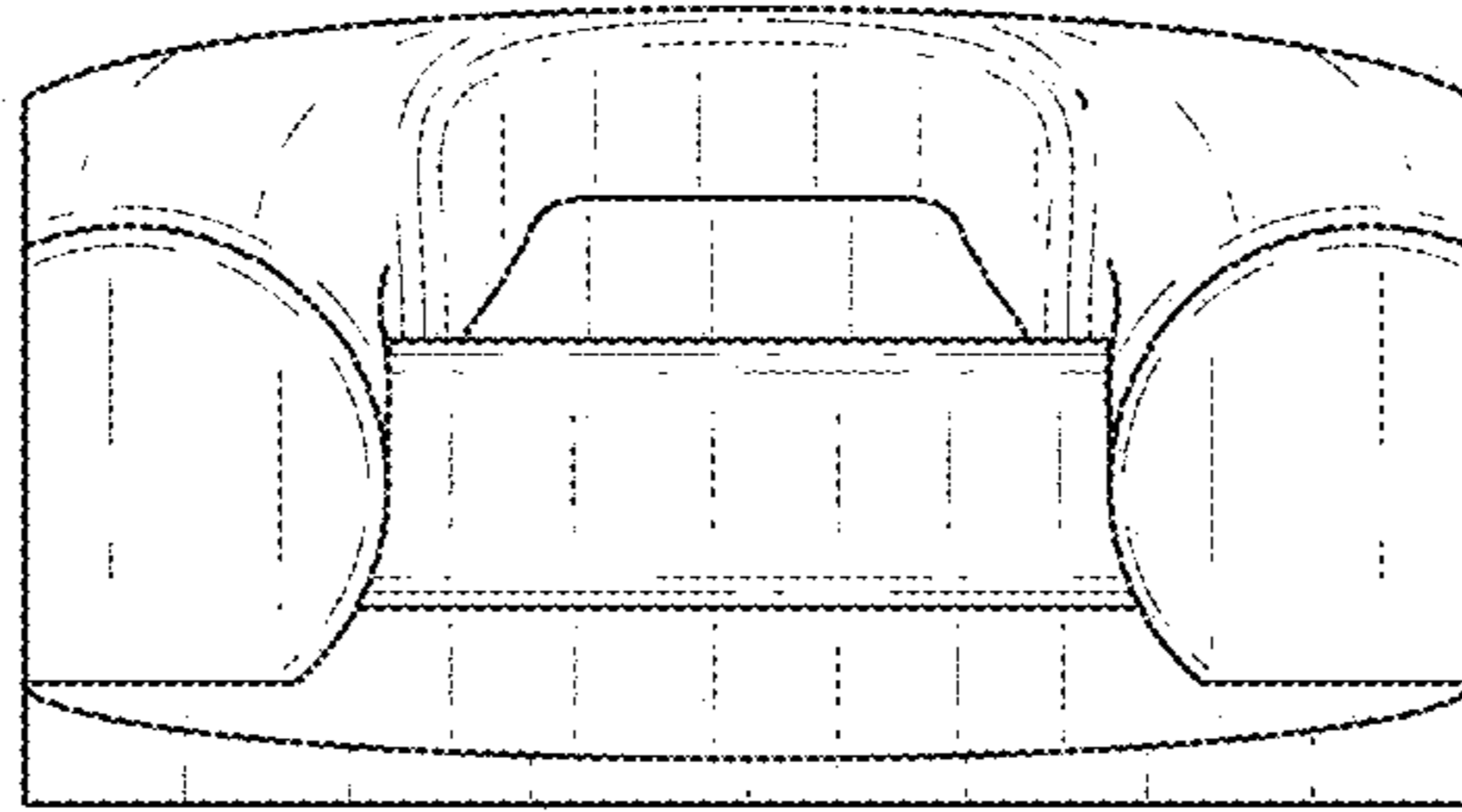


FIG. 5

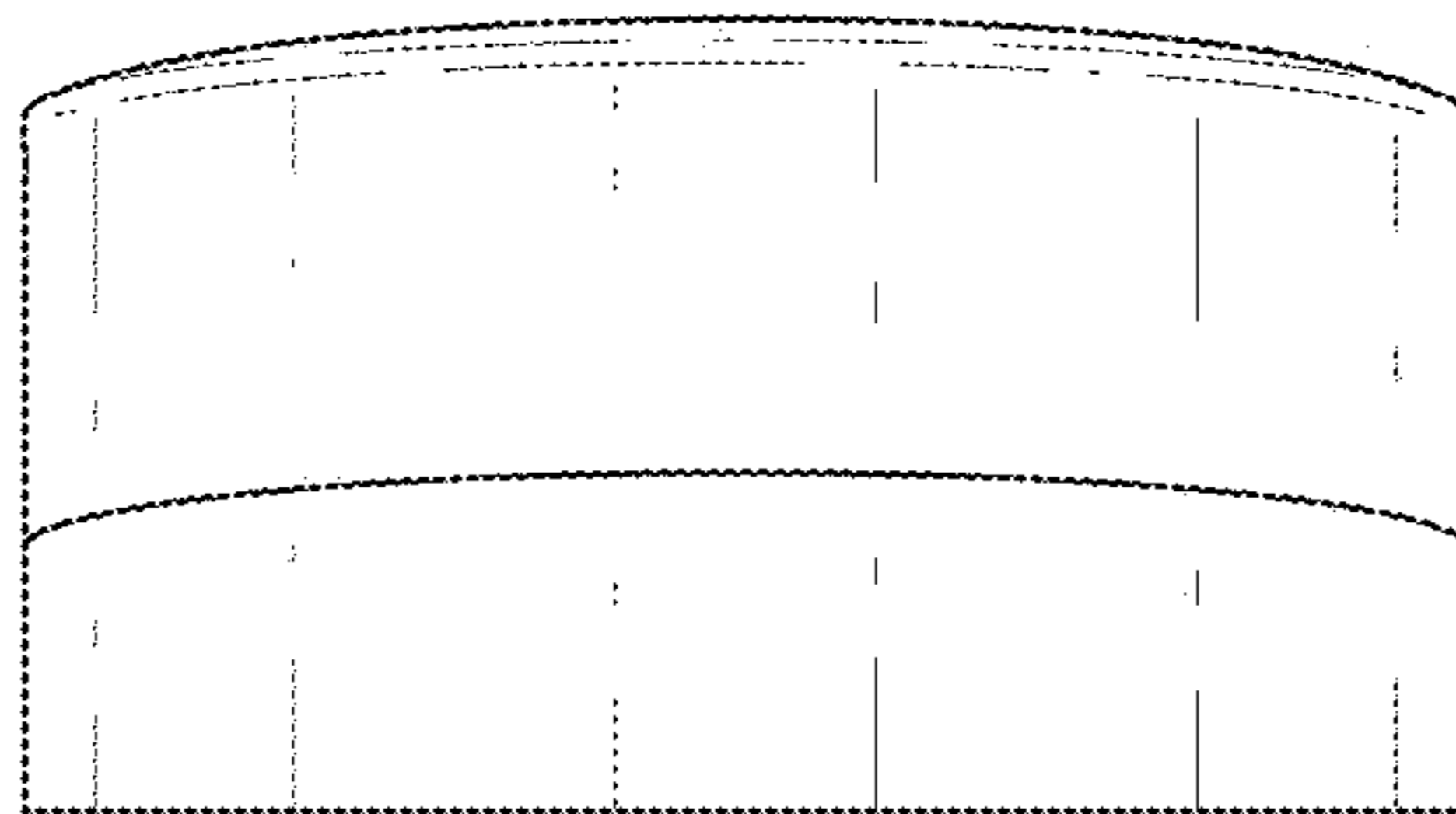


FIG. 6

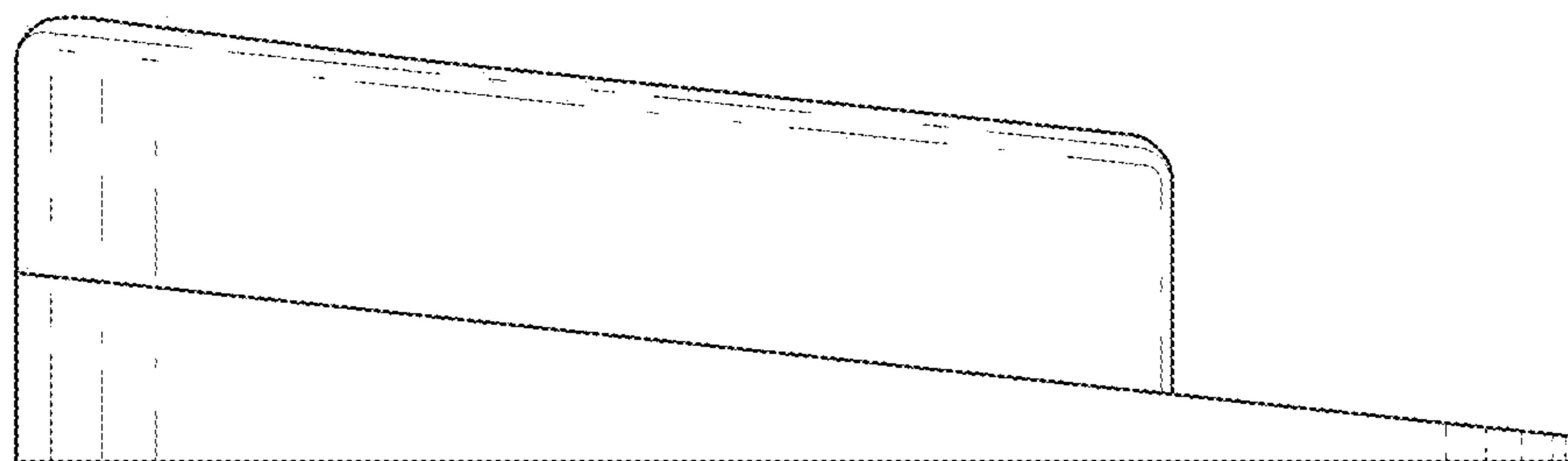


FIG. 7

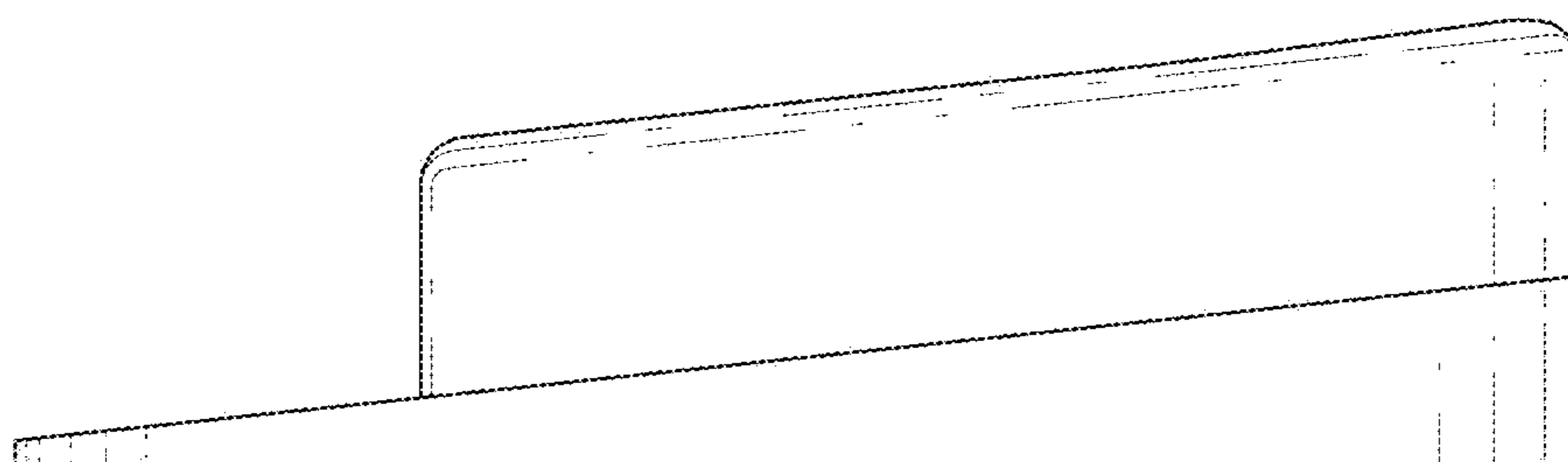


FIG. 8