



US00D838118S

(12) **United States Design Patent**
Wu

(10) **Patent No.:** **US D838,118 S**

(45) **Date of Patent:** **** Jan. 15, 2019**

(54) **RAZOR AND BRUSH STAND**

(71) Applicant: **Shenzhen Hahoe Electronic Co., Ltd.**,
Shenzhen (CN)

(72) Inventor: **Guilian Wu**, Shenzhen (CN)

(73) Assignee: **SHENZHEN HAOHE ELECTRONIC CO., LTD.**, Shenzhen (CN)

(**) Term: **15 Years**

(21) Appl. No.: **29/608,531**

(22) Filed: **Jun. 22, 2017**

(51) **LOC (11) Cl.** **28-03**

(52) **U.S. Cl.**
USPC **D6/527**

(58) **Field of Classification Search**
USPC D6/527, 526, 524, 540, 534, 528;
D9/748, 749; 206/208, 209, 228, 361,
206/362.1, 362.2, 362.3; 211/13.1, 66,
211/70.6, 86.01, 87.01, 89.01, 127, 176.1,
211/200, 205.5, 309.1, 314; D27/100,
D27/125, 142, 143, 162, 165, 167, 169,
D27/170, 172, 189, 194, 196
CPC A45D 27/29; B26B 21/00; B26B 21/06;
B26B 29/00
See application file for complete search history.

(56) **References Cited**

U.S. PATENT DOCUMENTS

D576,436 S * 9/2008 Provost D6/526
D608,577 S * 1/2010 Racanelli D6/534

D632,110 S * 2/2011 Cooper D6/526
D761,586 S * 7/2016 Kulshreshtha D6/526
D792,719 S * 7/2017 Wortell D6/526
D802,328 S * 11/2017 Wortell D6/526

* cited by examiner

Primary Examiner — Wan Laymon

Assistant Examiner — Mark Booker

(74) *Attorney, Agent, or Firm* — Yong Chen

(57) **CLAIM**

The ornamental design for a razor and brush stand, as shown and described.

DESCRIPTION

FIG. 1 is a front view of a razor and brush stand of the present invention.

FIG. 2 is a top view of the razor and brush stand shown in FIG. 1.

FIG. 3 is a right view of the razor and brush stand shown in FIG. 1.

FIG. 4 is a left view of the razor and brush stand shown in FIG. 1.

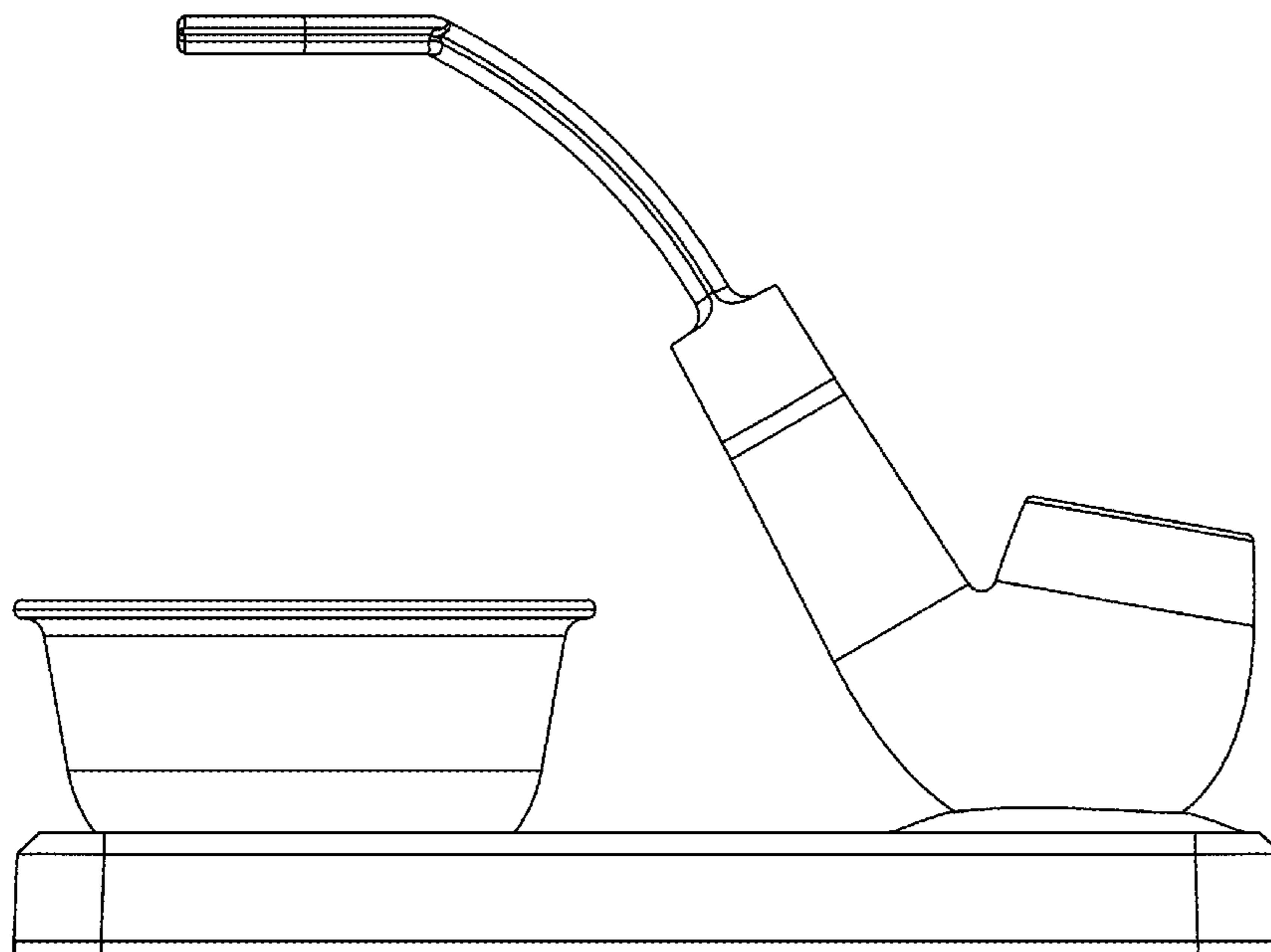
FIG. 5 is a back view of the razor and brush stand shown in FIG. 1.

FIG. 6 is a bottom view of the razor and brush stand shown in FIG. 1; and,

FIG. 7 is a perspective view of the razor and brush stand shown in FIG. 1.

The broken lines shown in the drawings represent portions of the razor and brush stand that form no part of the claimed design.

1 Claim, 7 Drawing Sheets



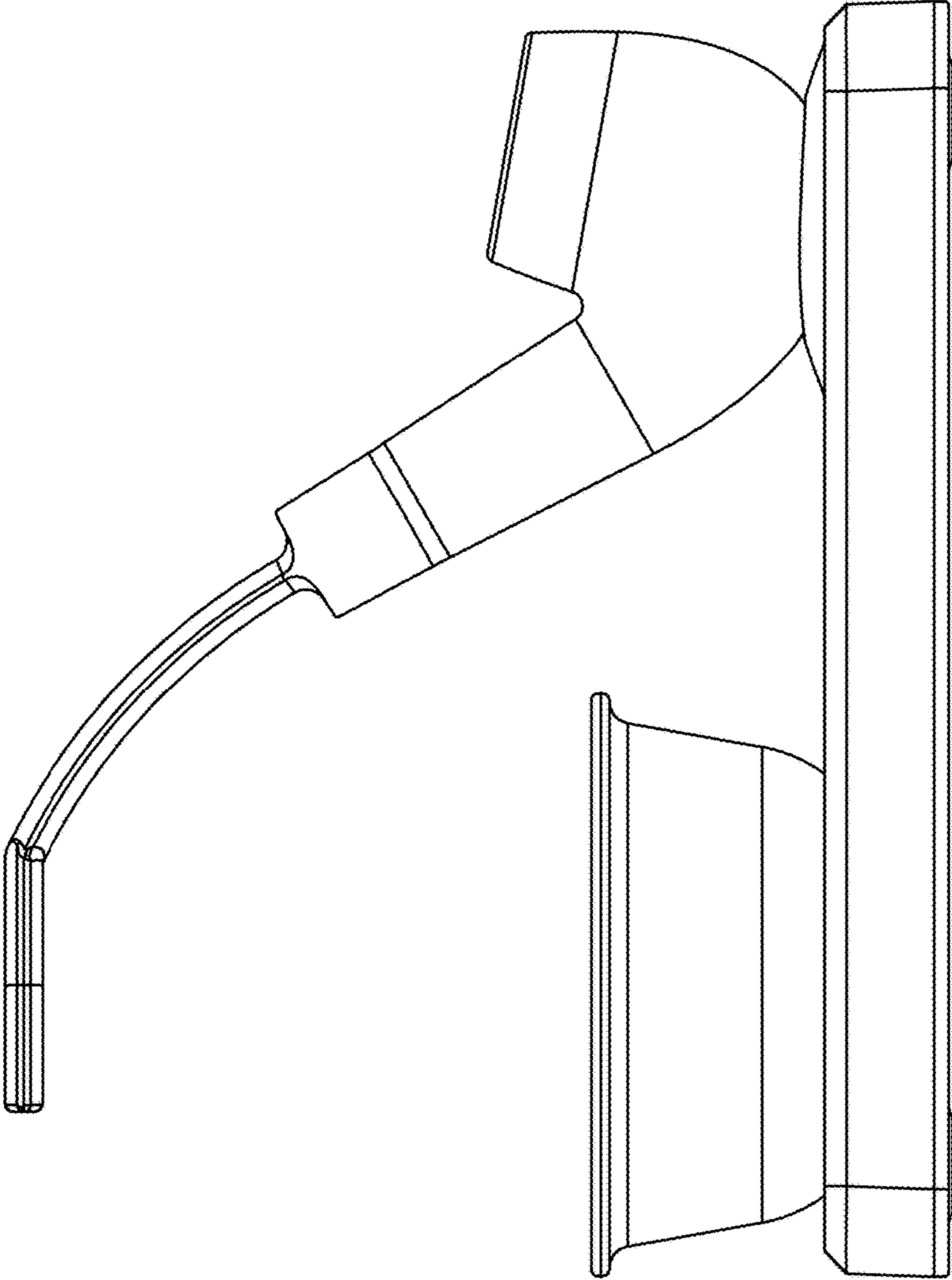


FIG. 1

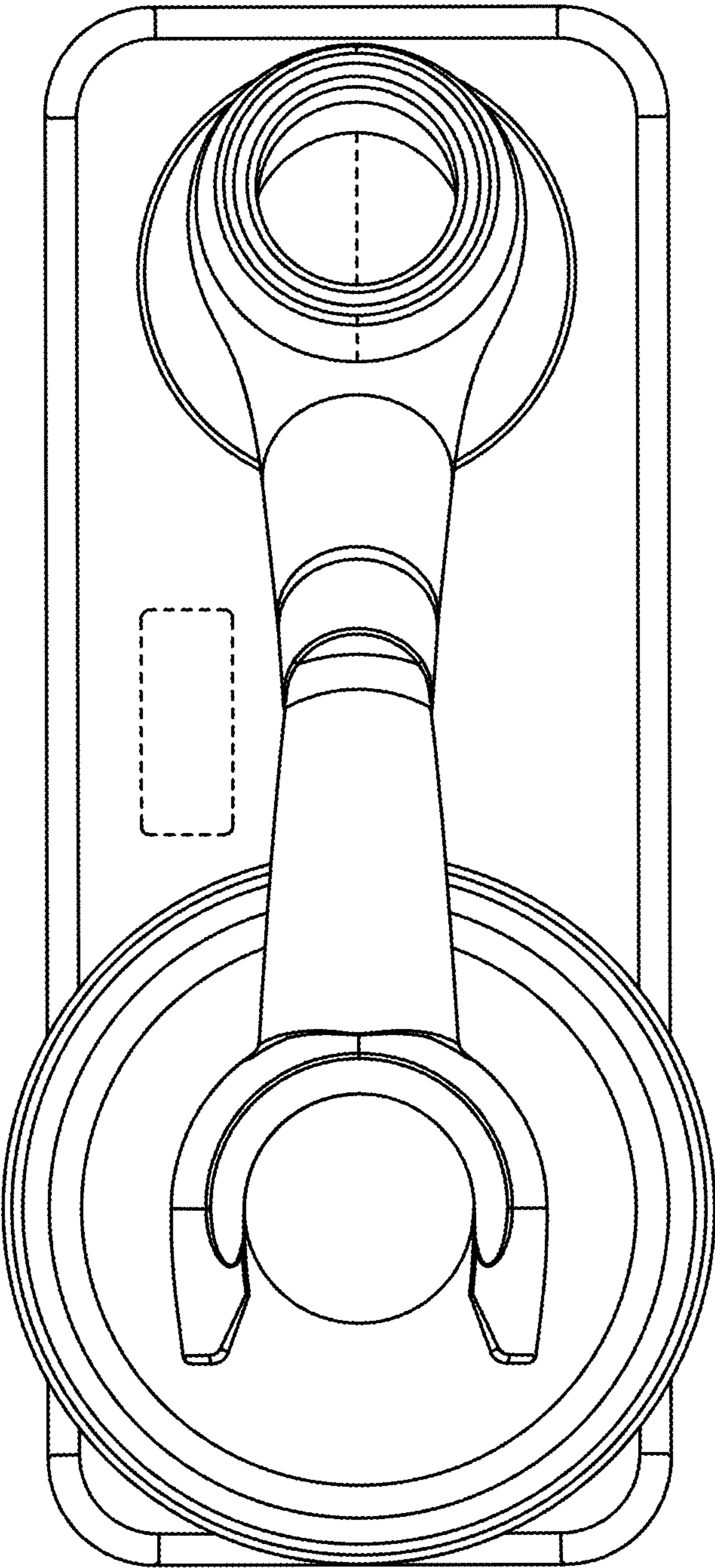


FIG. 2

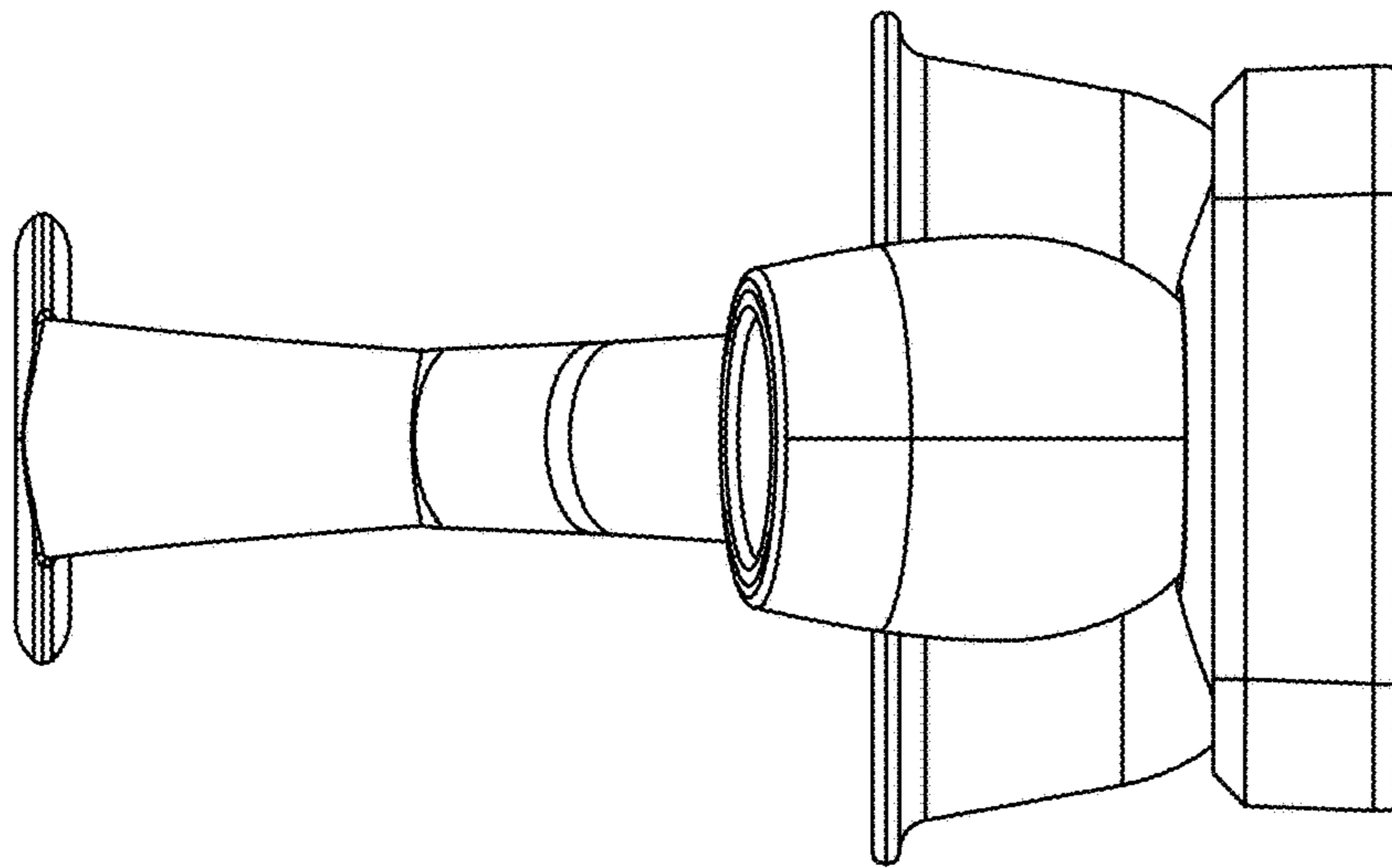


FIG. 3

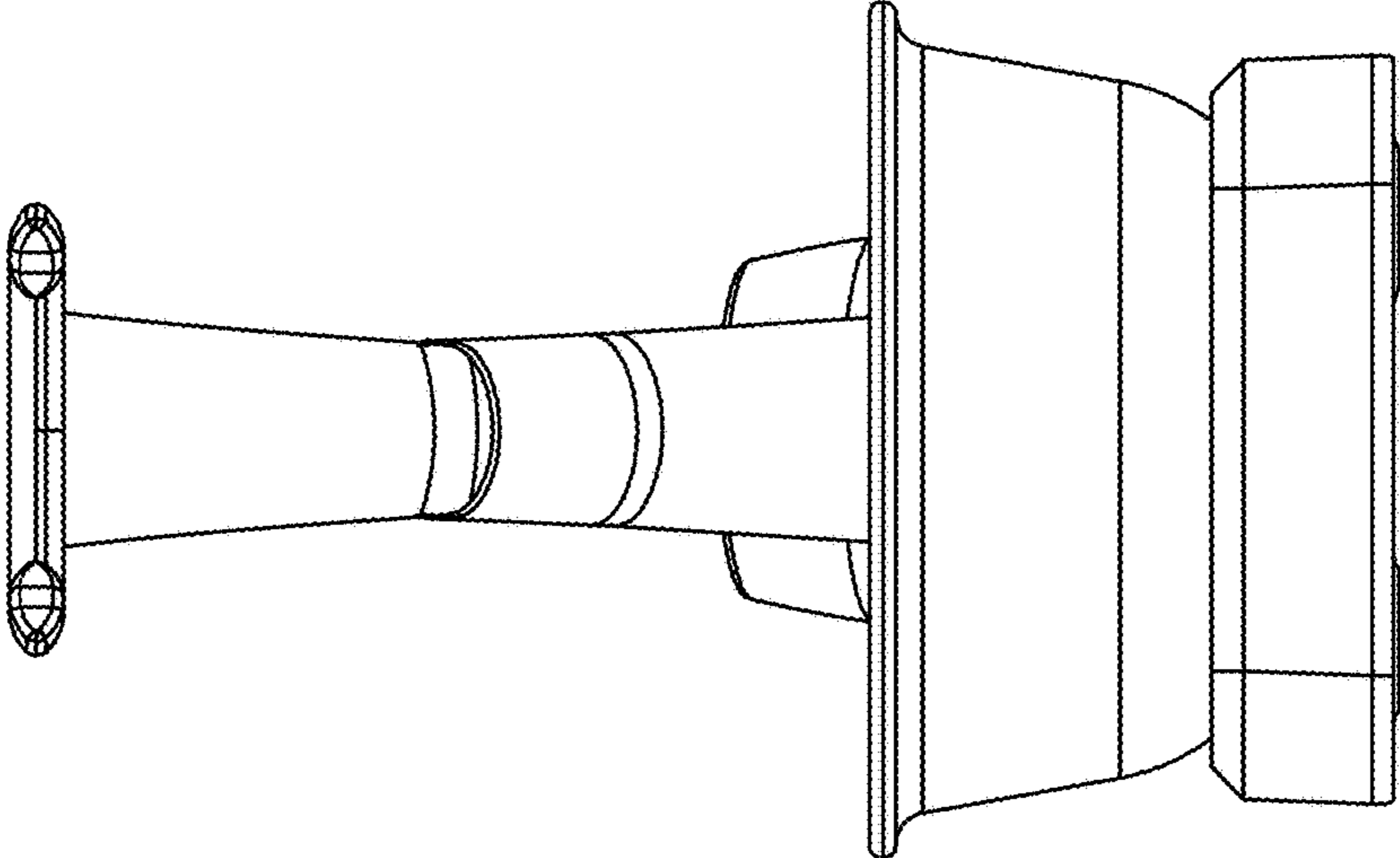


FIG. 4

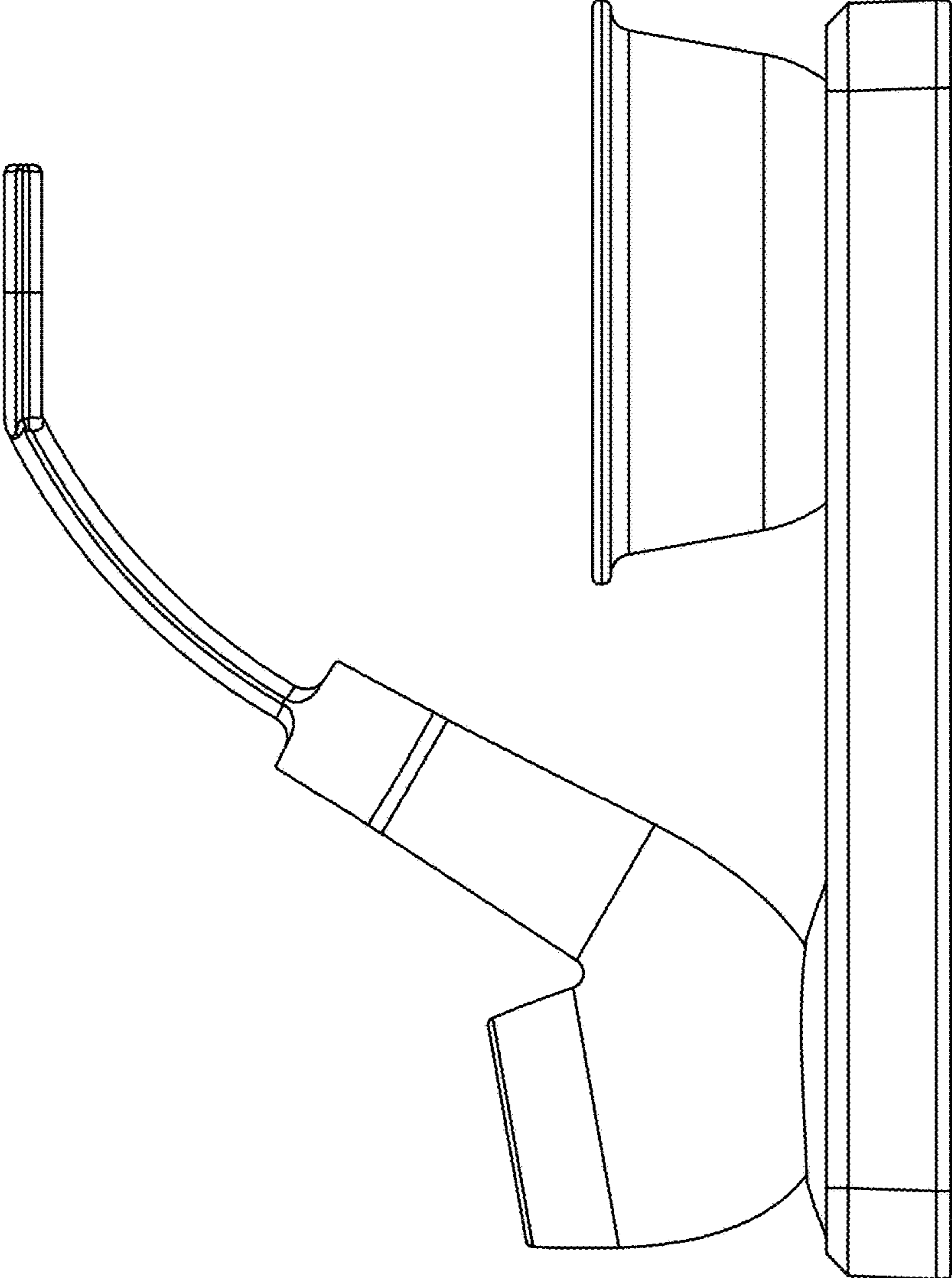


FIG. 5

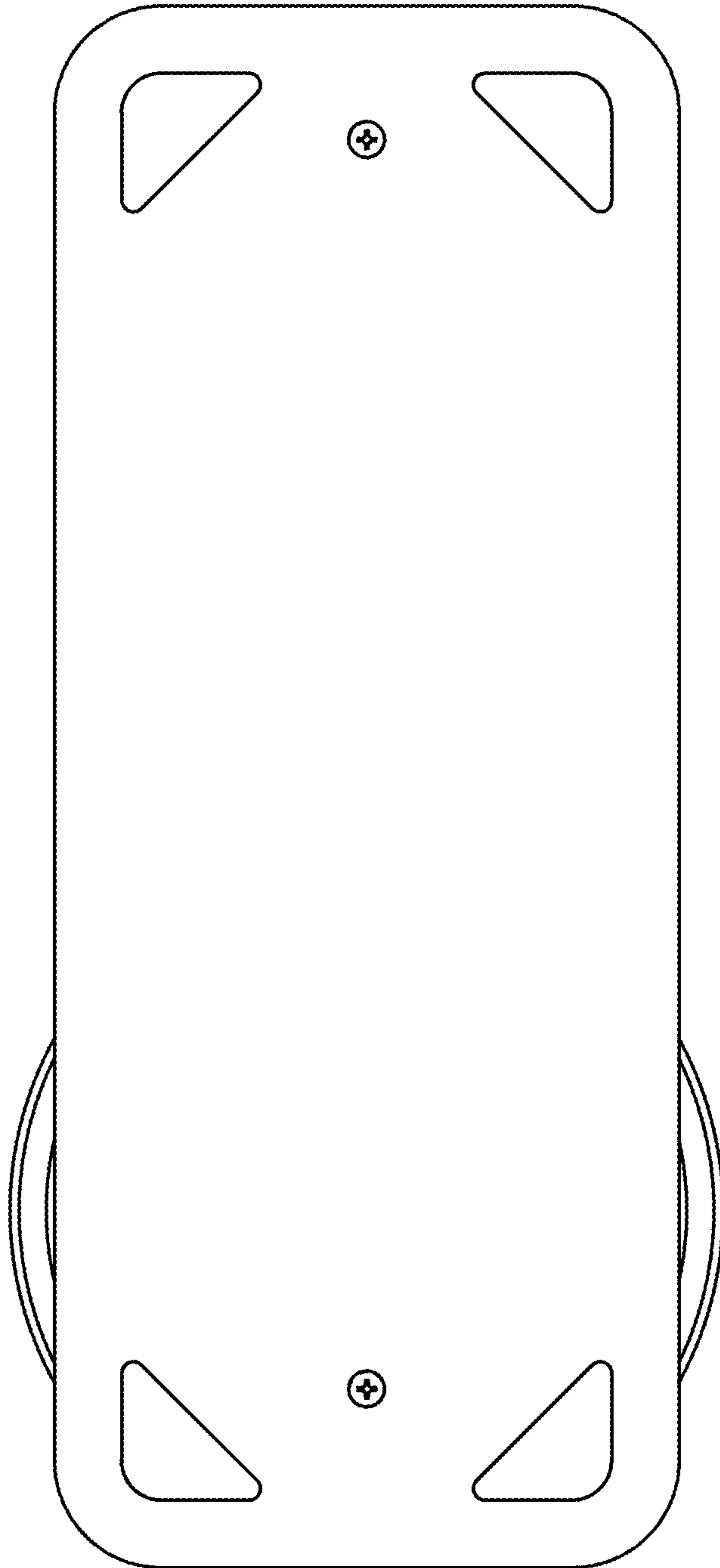


FIG. 6

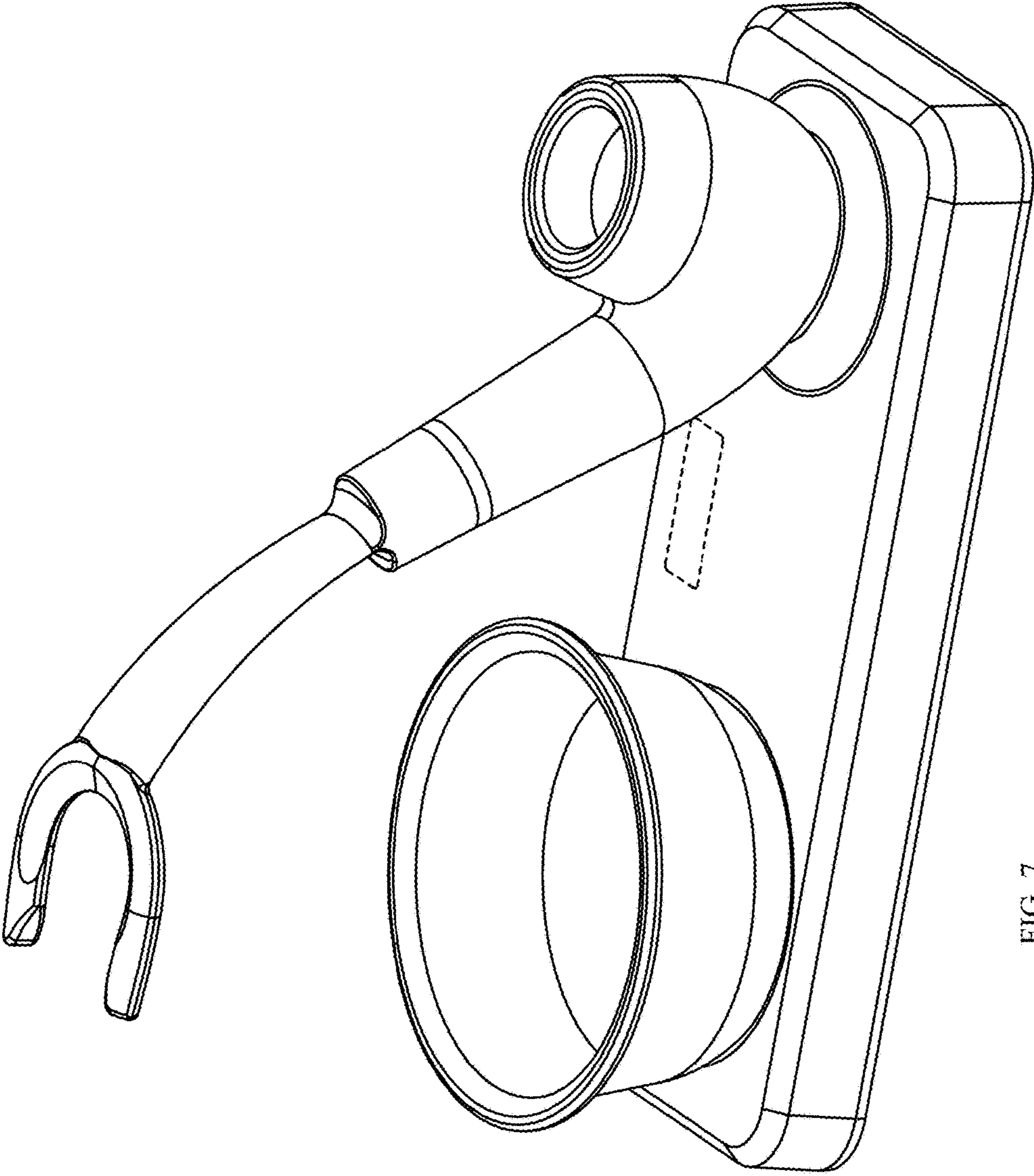


FIG. 7