



US00D838117S

(12) **United States Design Patent**  
**Archila et al.**

(10) **Patent No.:** **US D838,117 S**

(45) **Date of Patent:** **\*\* Jan. 15, 2019**

(54) **SINK ORGANIZER**

(71) Applicant: **JOBAR INTERNATIONAL, INC.**,  
Carson, CA (US)

(72) Inventors: **Jaime Archila**, Redondo Beach, CA  
(US); **Octavio Lopez**, San Pedro, CA  
(US)

(73) Assignee: **JOBAR INTERNATIONAL, INC.**,  
Carson, CA (US)

(\*\*) Term: **15 Years**

(21) Appl. No.: **29/583,176**

(22) Filed: **Nov. 2, 2016**

(51) **LOC (11) Cl.** ..... **23-02**

(52) **U.S. Cl.**  
USPC ..... **D6/525**

(58) **Field of Classification Search**  
USPC ..... D3/304, 306; D6/510, 524, 553, 566,  
D6/536-537, 540, 567, 525; D30/133;  
141/100

CPC ..... A47J 47/16; A47J 47/20; A47K 10/04;  
A47L 19/02; A47L 17/02; E03C 1/186  
See application file for complete search history.

(56) **References Cited**

U.S. PATENT DOCUMENTS

D388,993 S \* 1/1998 Hampshire ..... D6/567  
D450,926 S \* 11/2001 Dickinson ..... D3/304  
D626,363 S \* 11/2010 Yang ..... D6/525

\* cited by examiner

*Primary Examiner* — Wan Laymon

*Assistant Examiner* — Mark Booker

(74) *Attorney, Agent, or Firm* — Lewis Roca Rothgerber  
Christie LLP

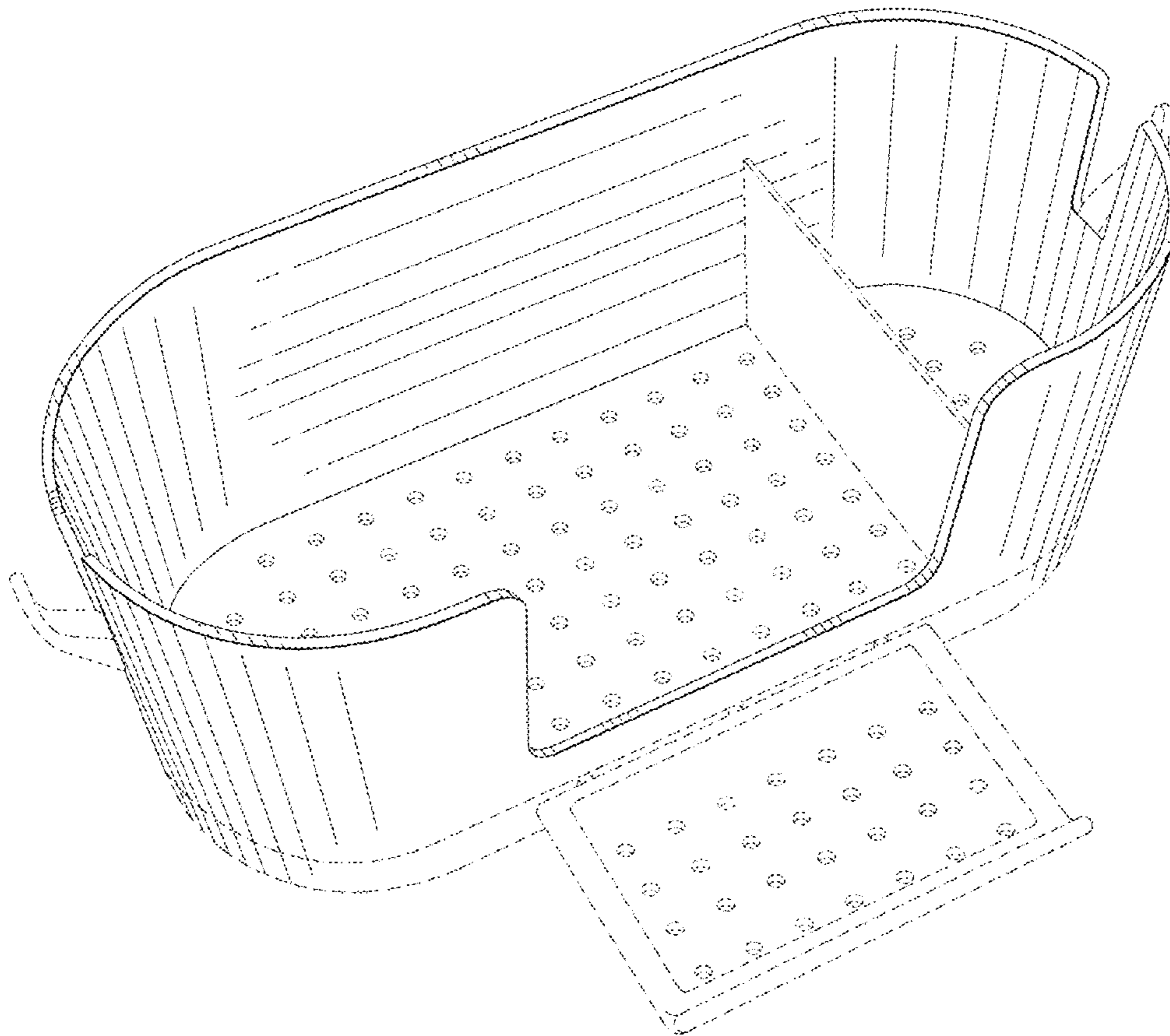
(57) **CLAIM**

The ornamental design for a sink organizer, as shown and  
described.

**DESCRIPTION**

FIG. 1 is a perspective view of a sink organizer design;  
FIG. 2 is a top view thereof;  
FIG. 3 is a front view thereof;  
FIG. 4 is a left view which is a mirror image of the right view  
thereof;  
FIG. 5 is a rear view thereof; and,  
FIG. 6 is a bottom view thereof.  
The broken lines shown in the figures represent portions of  
the sink organizer that form no part of the claimed design.

**1 Claim, 6 Drawing Sheets**



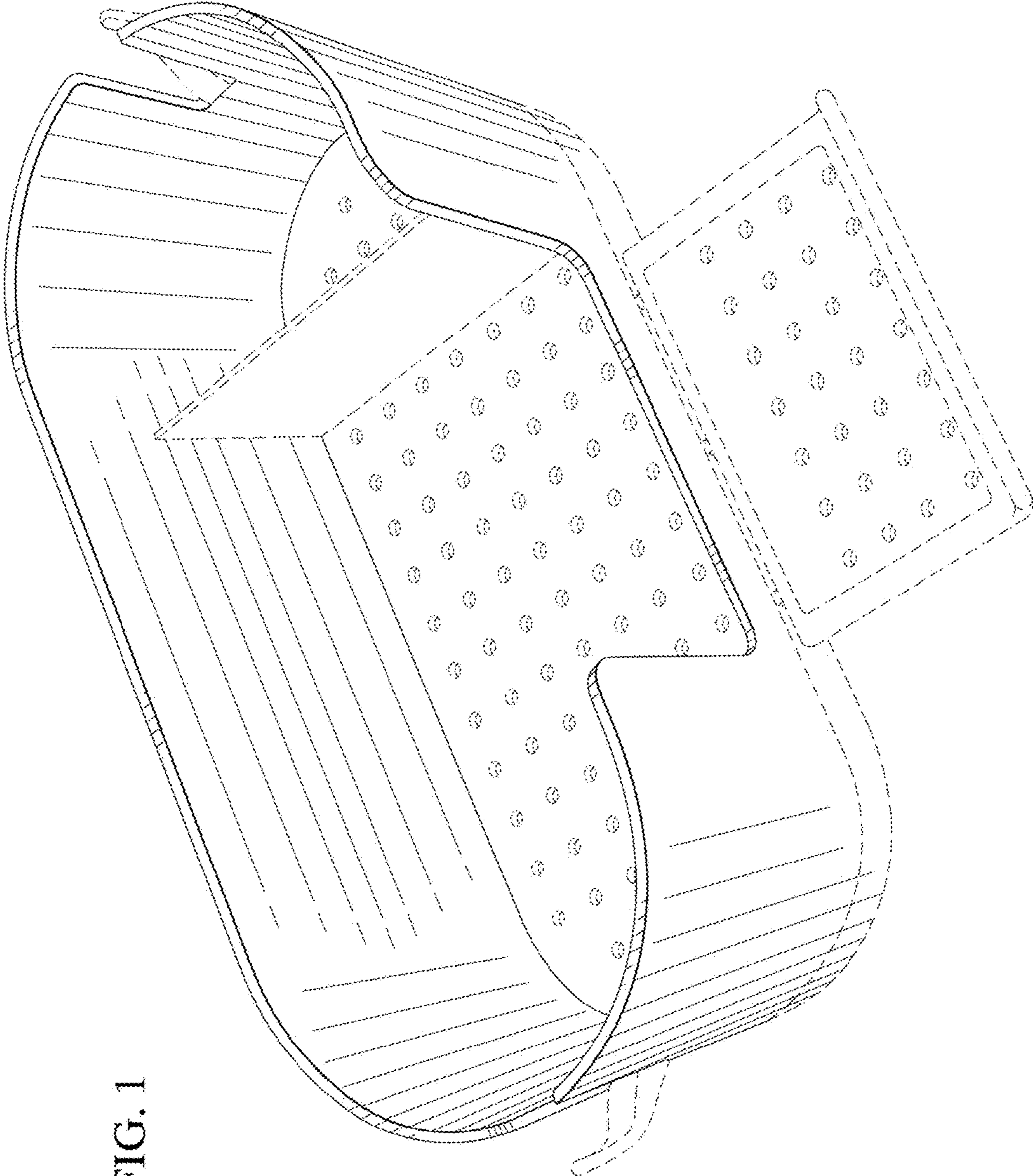


FIG. 1

FIG. 2

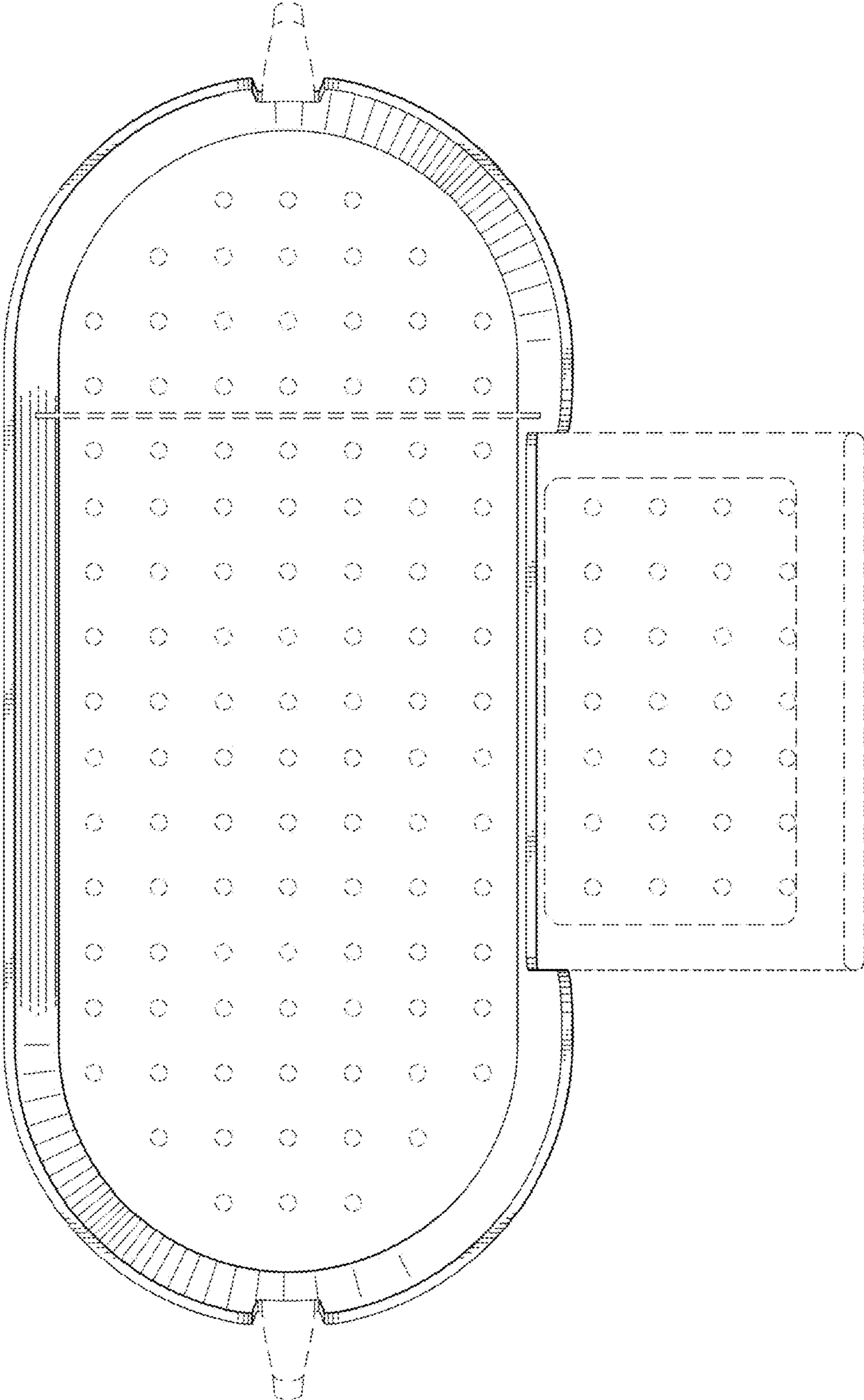


FIG. 3

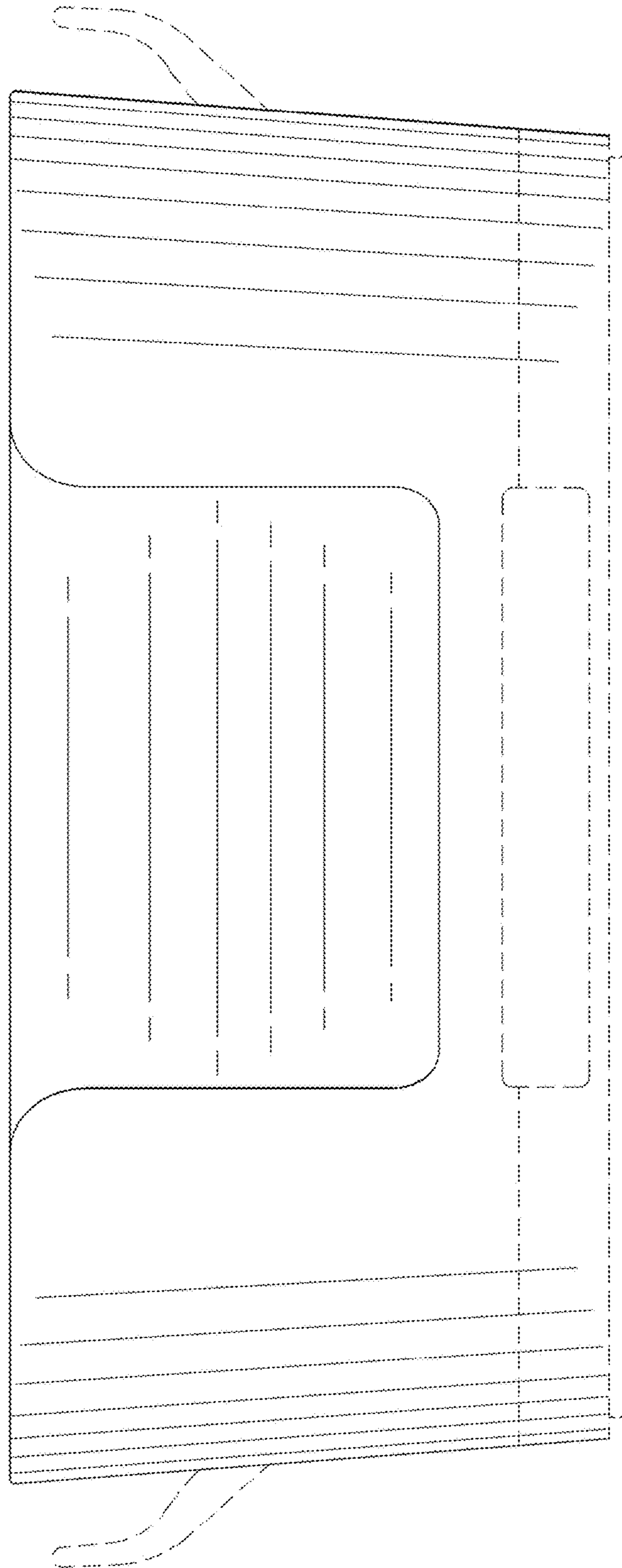


FIG. 4

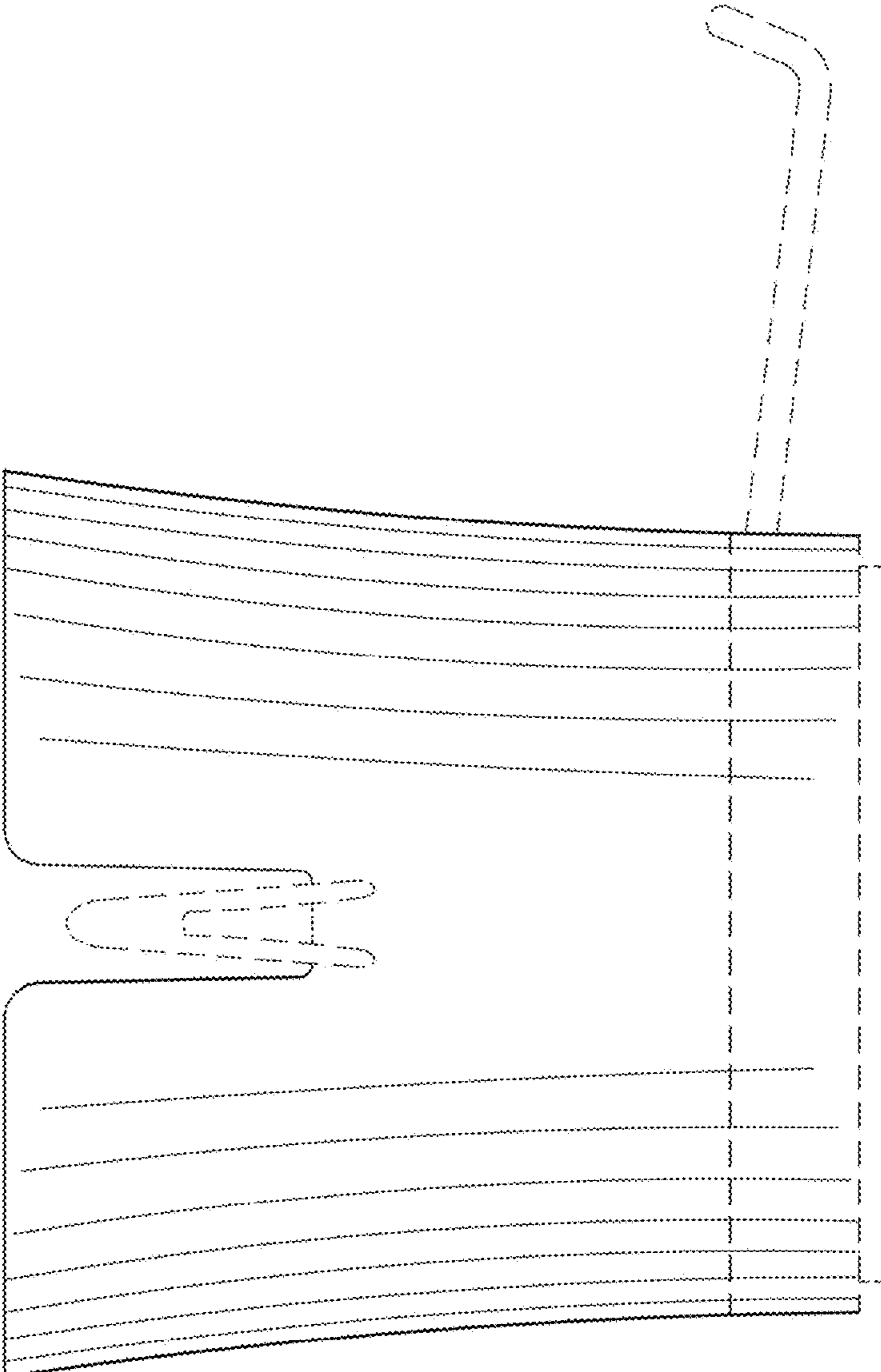


FIG. 5

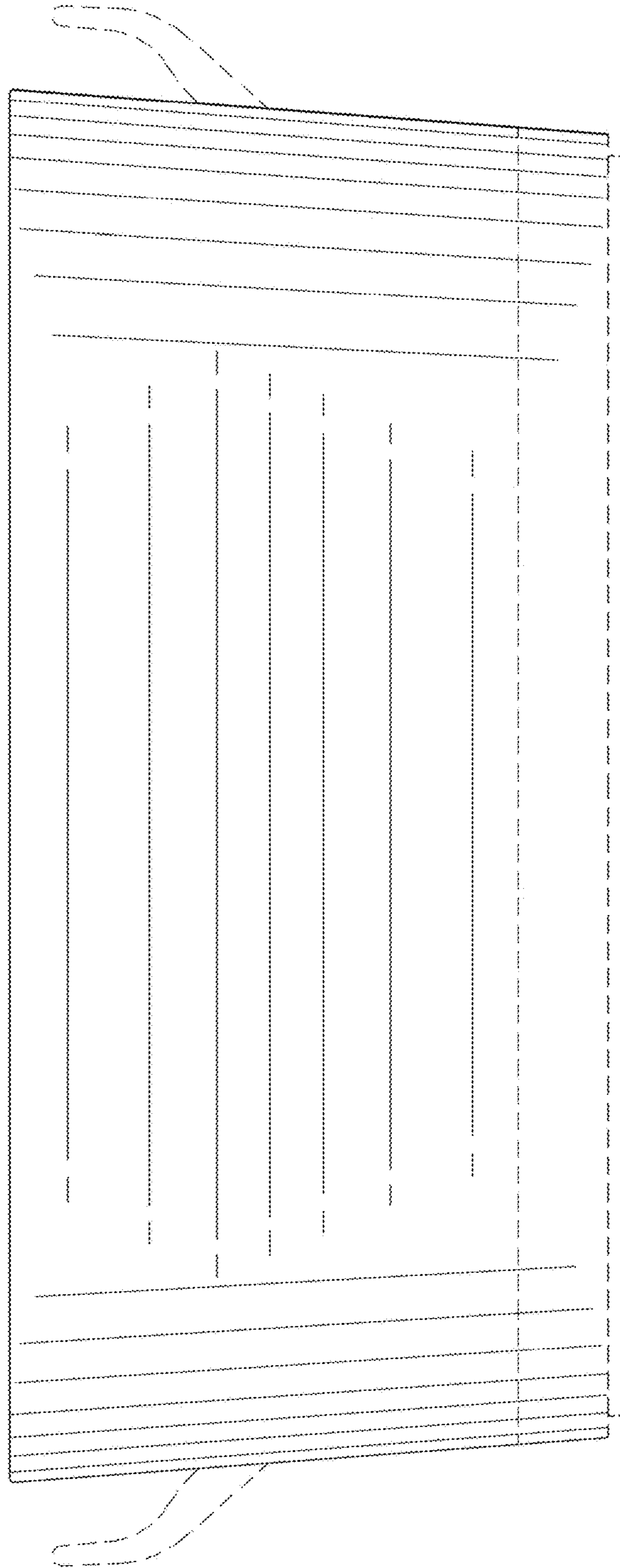


FIG. 6

