



US00D838116S

(12) **United States Design Patent**  
**Mino**

(10) **Patent No.:** **US D838,116 S**  
(45) **Date of Patent:** **\*\* Jan. 15, 2019**

(54) **DRY FLOTATION BED**  
(71) Applicant: **STARPOOL S.R.L.**, Ziano di Fiemme (TN) (IT)  
(72) Inventor: **Cristiano Mino**, Milan (IT)  
(\*\*) Term: **15 Years**  
(21) Appl. No.: **35/502,954**  
(22) Filed: **Dec. 20, 2016**  
(80) **Hague Agreement Data**  
Int. Filing Date: **Dec. 20, 2016**  
Int. Reg. No.: **DM/095801**  
Int. Reg. Date: **Dec. 20, 2016**  
Int. Reg. Pub. Date: **May 12, 2017**

(30) **Foreign Application Priority Data**  
Jun. 24, 2016 (EM) ..... 003237395-0001  
Jun. 24, 2016 (EM) ..... 003237395-0002  
Jun. 24, 2016 (EM) ..... 003237395-0003

(51) **LOC (11) Cl.** ..... **06-02**  
(52) **U.S. Cl.**  
USPC ..... **D6/382**  
(58) **Field of Classification Search**  
USPC ..... D6/382, 383, 384, 394; D30/118  
CPC ..... A47C 19/00; A47C 19/005; A47C 19/021;  
A47C 19/022; A47C 31/006; A47C  
27/00; A47C 27/08; A47C 27/081; A47C  
27/085  
See application file for complete search history.

(56) **References Cited**  
U.S. PATENT DOCUMENTS  
3,766,579 A \* 10/1973 Shields ..... A47C 27/081  
5/668  
3,864,768 A \* 2/1975 Fraige ..... A47C 27/081  
5/687

3,872,526 A \* 3/1975 Betts ..... A47C 21/006  
5/109  
4,187,568 A \* 2/1980 McMullan ..... A47C 21/006  
5/109  
D256,734 S \* 9/1980 Riley ..... 119/28.5  
D264,290 S \* 5/1982 Ungaro ..... D6/691.4  
4,352,976 A \* 10/1982 McMullan ..... A47C 21/048  
219/217  
D288,874 S \* 3/1987 Yosimoto ..... A47C 21/048  
D6/382  
4,667,358 A \* 5/1987 Penterman ..... A47C 27/085  
5/109  
5,231,716 A \* 8/1993 Johenning ..... A47C 27/085  
5/400  
D379,014 S \* 4/1997 Woods, II ..... A47C 27/085  
D30/118

(Continued)

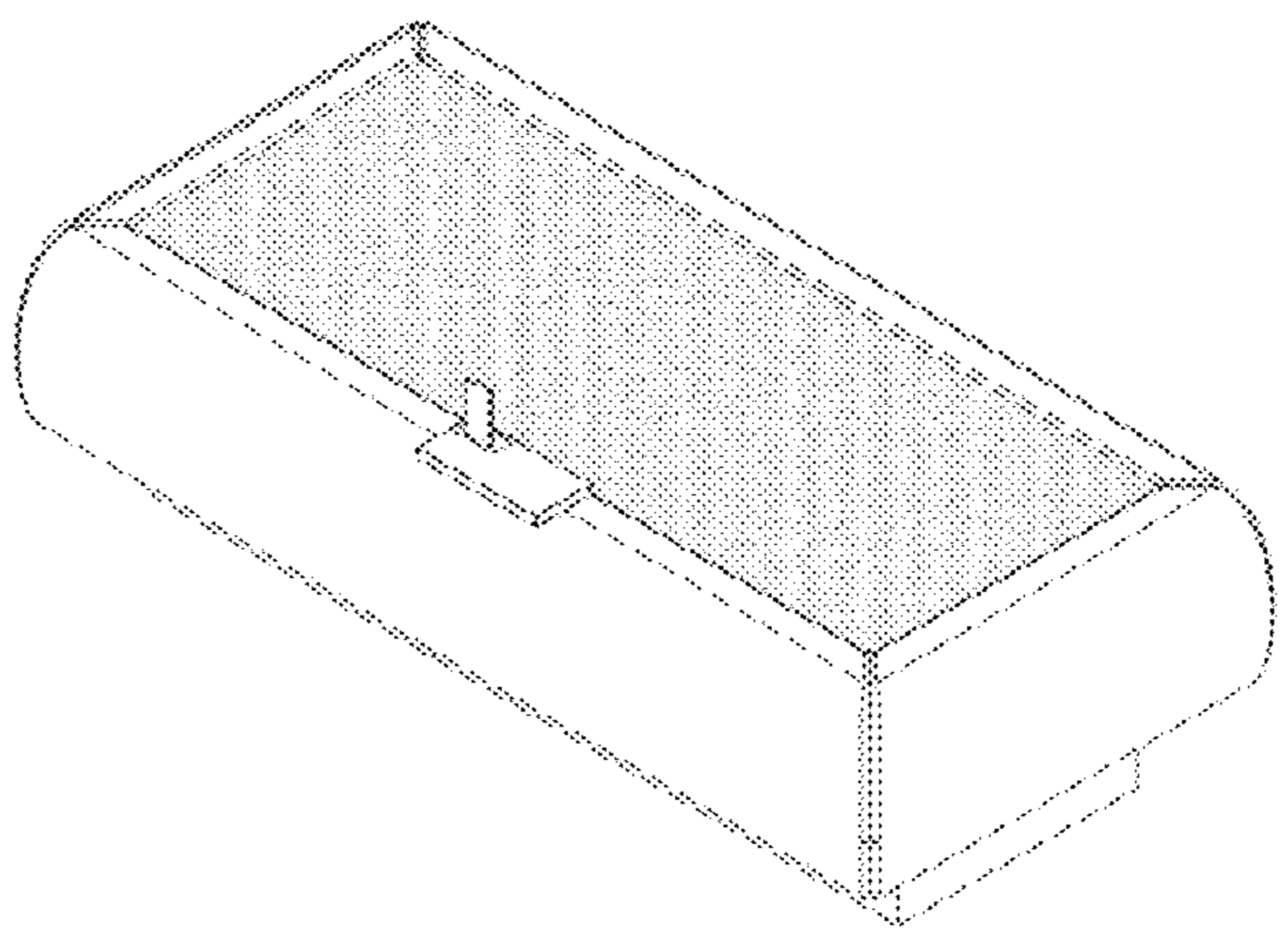
*Primary Examiner* — Mary Ann Calabrese

(57) **CLAIM**  
The ornamental design for dry flotation bed, as shown and described.

**DESCRIPTION**

The patent or application file contains at least one drawing executed in color. Copies of this patent or patent application publication with color drawing(s) will be provided by the Office upon request and payment of the necessary fee.  
1.-3. Dry flotation bed  
**1.1** : Perspective  
**1.2** : Front  
**1.3** : Right  
**2.0** : Perspective  
**3.0** : Perspective  
In the first design the top view is omitted since it is visible in its entirety from the perspective view **1.1**; moreover, in the first design, the back view is omitted since it is the mirror image of the front view **1.2**, and the left view is omitted since it is the mirror image of the right view **1.3**.

**1 Claim, 5 Drawing Sheets**  
**(2 of 5 Drawing Sheet(s) Filed in Color)**



(56)

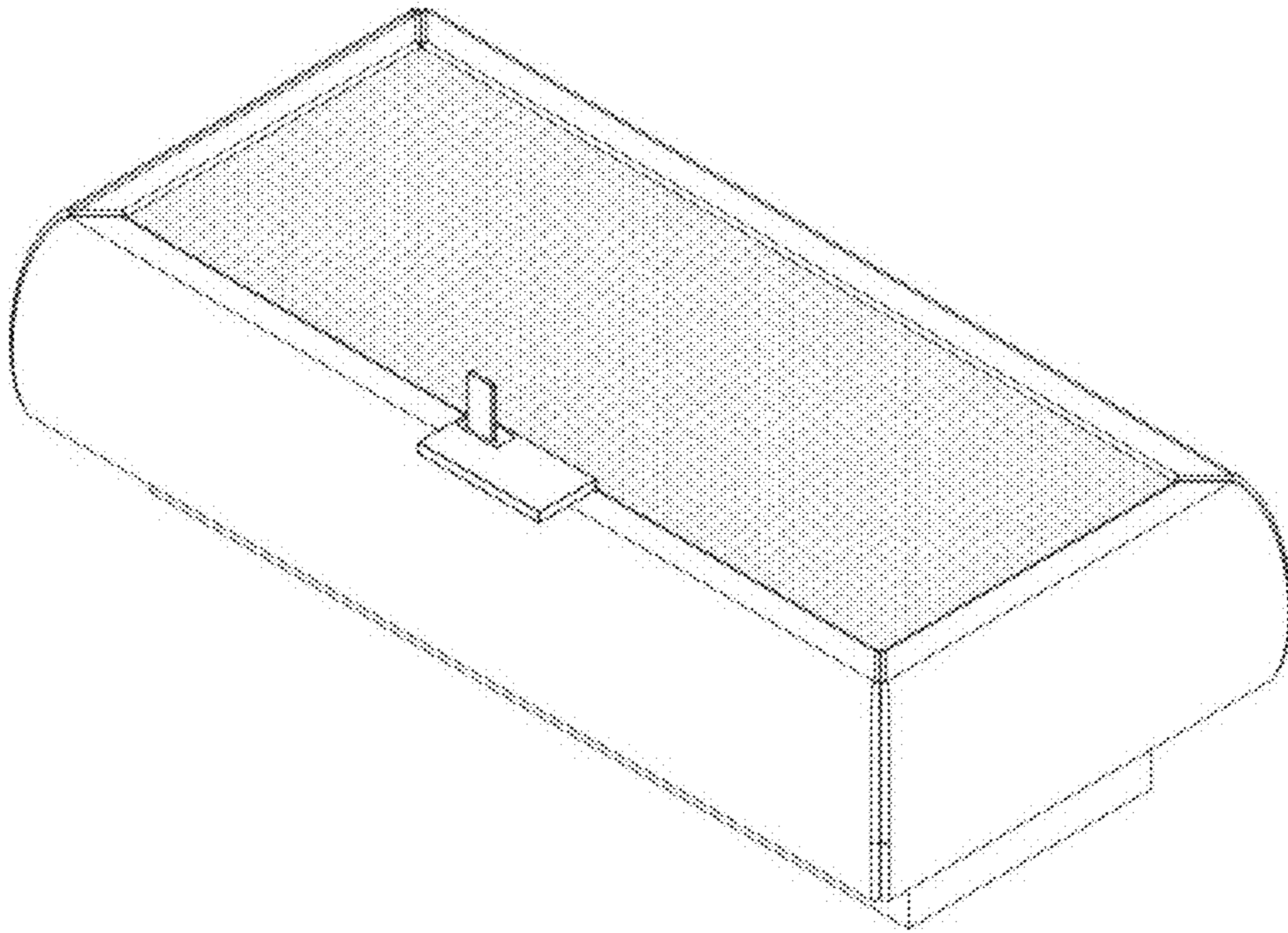
**References Cited**

U.S. PATENT DOCUMENTS

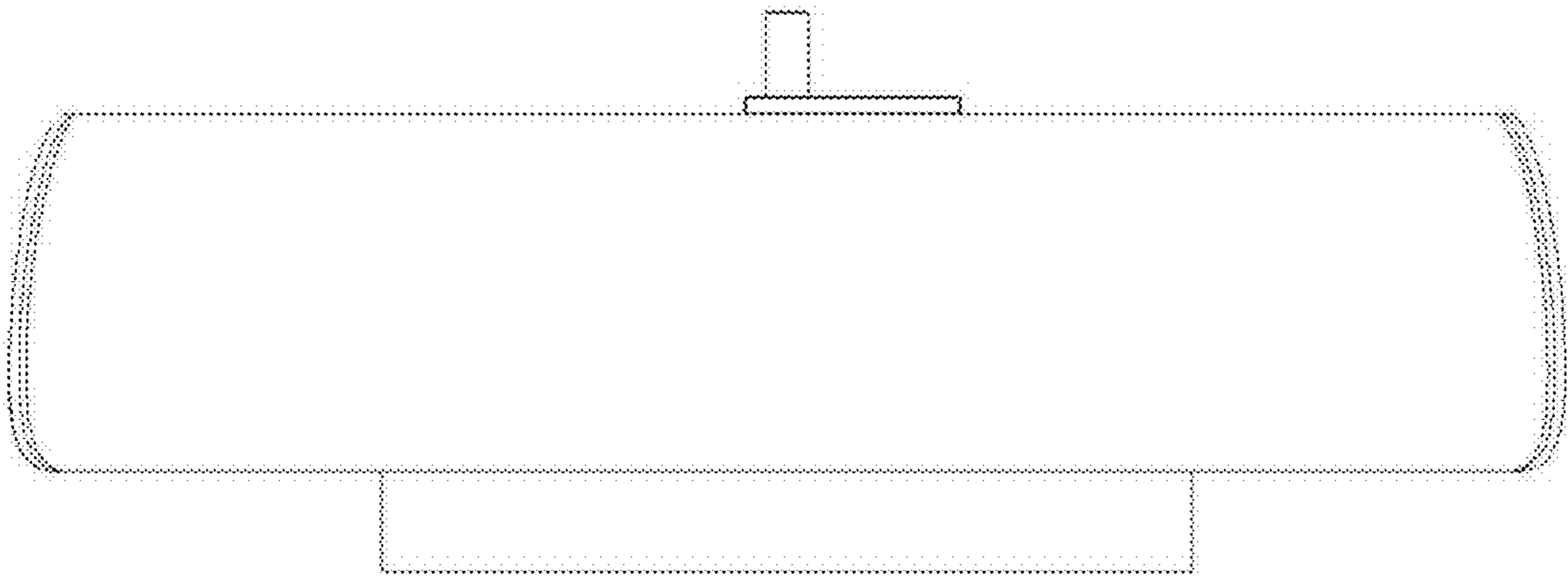
D646,908 S \* 10/2011 Szekely ..... A47C 21/006  
D6/382  
D717,561 S \* 11/2014 Wurst ..... A47C 27/081  
D6/382

\* cited by examiner

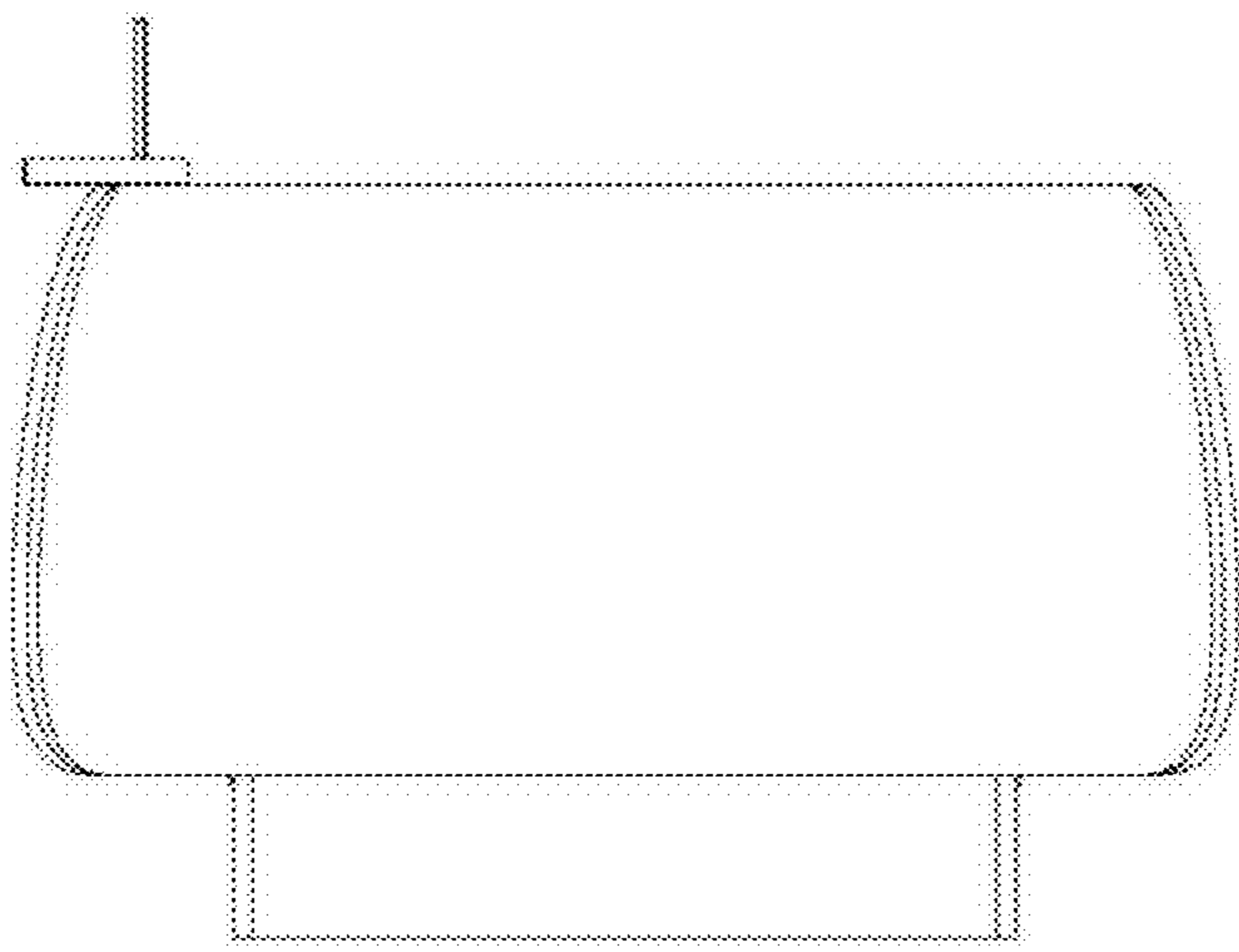
1.1



1.2



1.3





2.0





3.0

