



US00D838115S

(12) **United States Design Patent**
Adams

(10) **Patent No.:** **US D838,115 S**
(45) **Date of Patent:** **** Jan. 15, 2019**

- (54) **FLAT-PACK ROCKING CHAIR**
- (71) Applicant: **Geoffrey Adams**, Albuquerque, NM (US)
- (72) Inventor: **Geoffrey Adams**, Albuquerque, NM (US)
- (73) Assignee: **STC. UNM**, Albuquerque, NM (US)
- (**) Term: **15 Years**

D289,234 S *	4/1987	Hoult	D6/348
D299,087 S *	12/1988	Bruce	D6/348
D301,091 S *	5/1989	Kimball	D6/348
5,000,514 A *	3/1991	Hanson	A47C 3/029
				211/189
D359,169 S *	6/1995	Willens	D6/348
D547,076 S *	7/2007	Hughes	D6/348
D602,270 S *	10/2009	Castro, Jr.	D6/348
D777,464 S *	1/2017	Siao	D6/368
D811,791 S *	3/2018	Chavarria	D6/716

- (21) Appl. No.: **29/588,222**
- (22) Filed: **Dec. 19, 2016**
- (51) **LOC (11) Cl.** **06-01**
- (52) **U.S. Cl.**
USPC **D6/348**
- (58) **Field of Classification Search**
USPC D6/344-349, 709, 709.22, 709.2, 716,
D6/708, 708.2, 716.8, 378, 355, 368, 352
CPC A47D 13/102; A47C 3/02; A47C 3/029;
A47C 4/28
See application file for complete search history.

* cited by examiner

Primary Examiner — Deanna L Pratt

(74) *Attorney, Agent, or Firm* — Keith A. Vogt; Vogt IP

(56) **References Cited**

U.S. PATENT DOCUMENTS

1,841,744 A *	1/1932	Lawrence	A47C 4/20
				297/60
4,509,794 A *	4/1985	Roland	A47C 3/029
				297/440.13

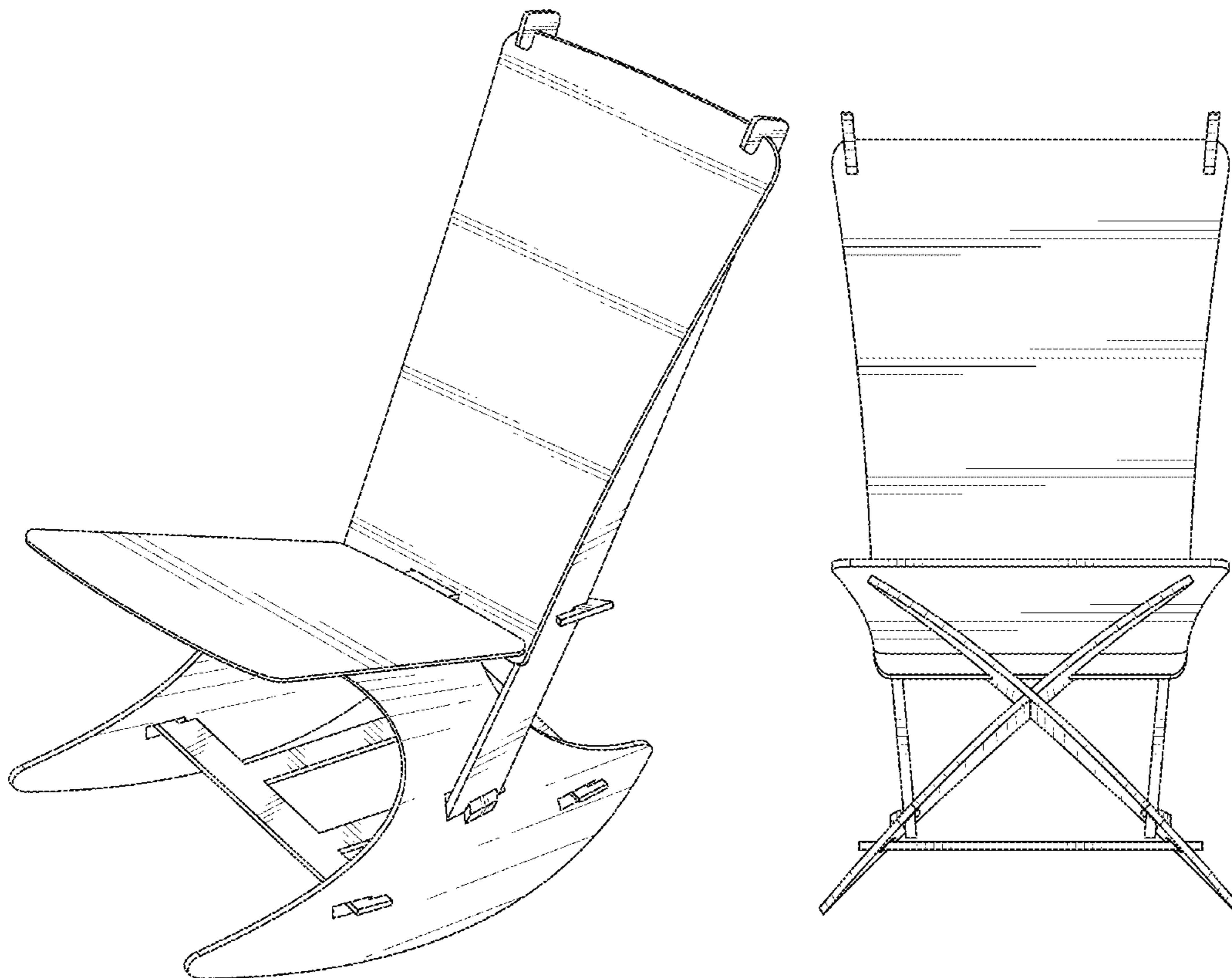
(57) **CLAIM**

The ornamental design for a flat-pack rocking chair, as shown and described.

DESCRIPTION

FIG. 1 is a perspective view of the flat-pack rocking chair;
 FIG. 2 is a front view thereof;
 FIG. 3 is a rear view thereof;
 FIG. 4 is a first side view thereof;
 FIG. 5 is a second side view thereof;
 FIG. 6 is a top view thereof; and,
 FIG. 7 is a bottom view thereof.

1 Claim, 7 Drawing Sheets



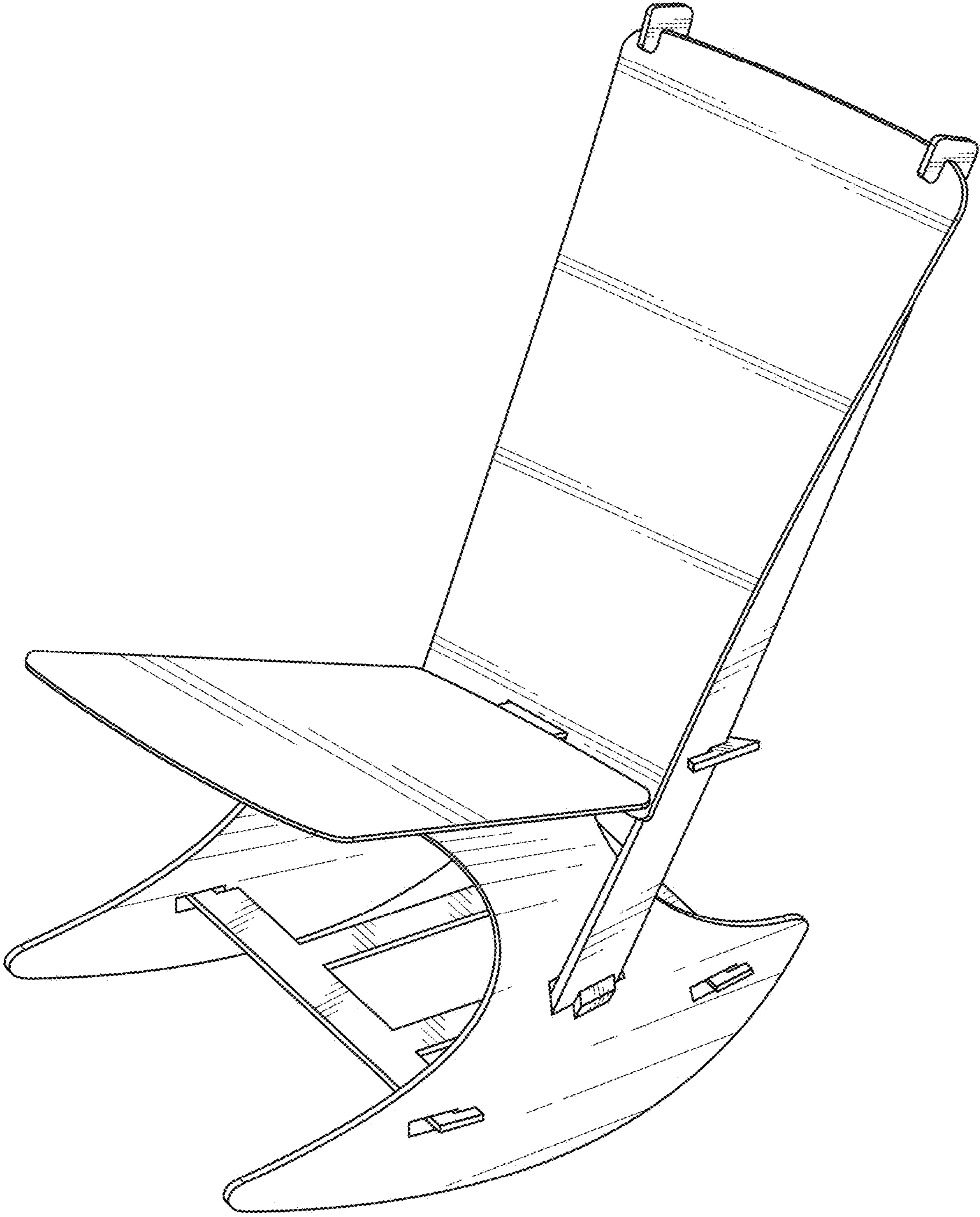


FIG. 1

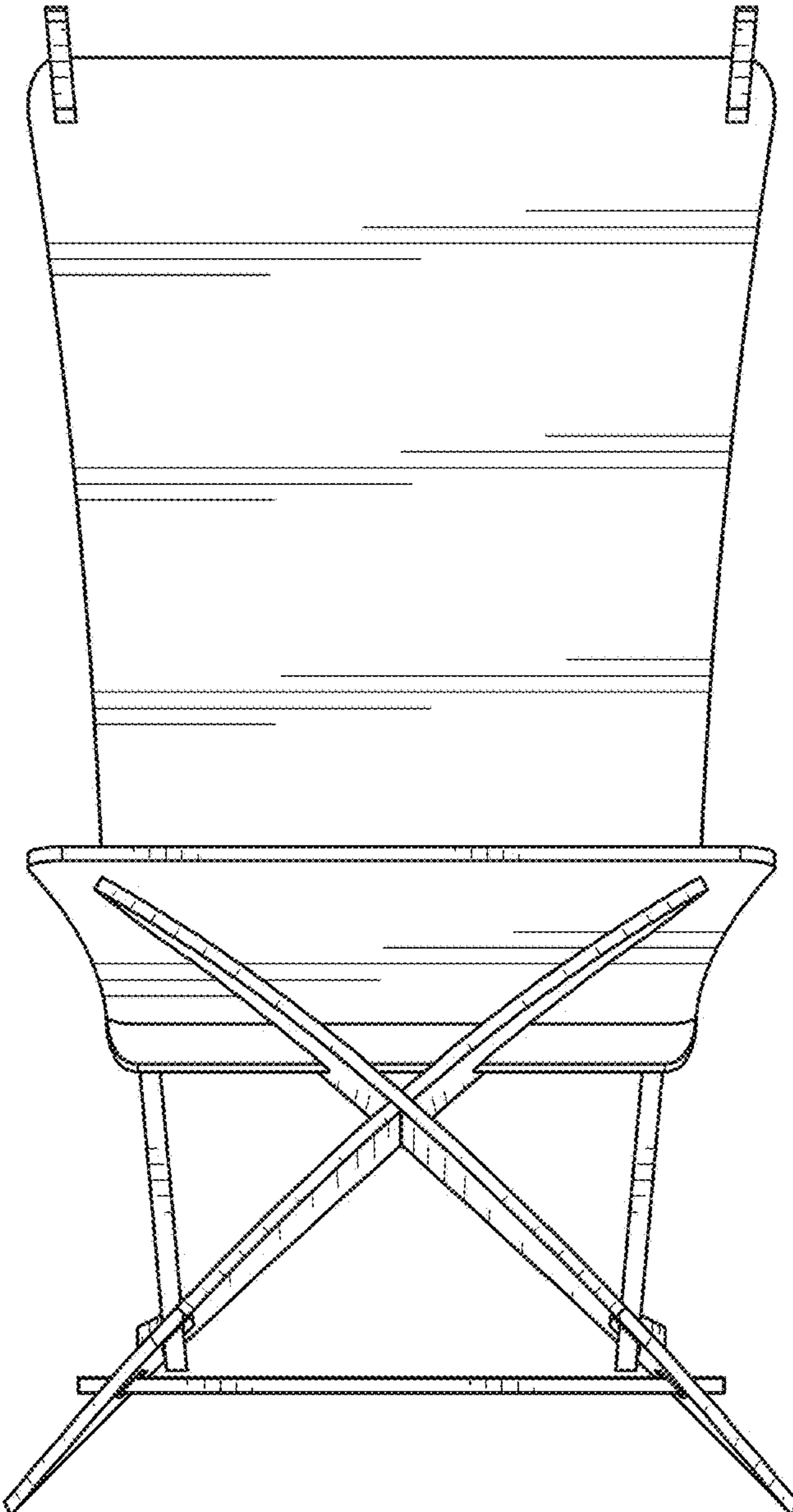


FIG. 2

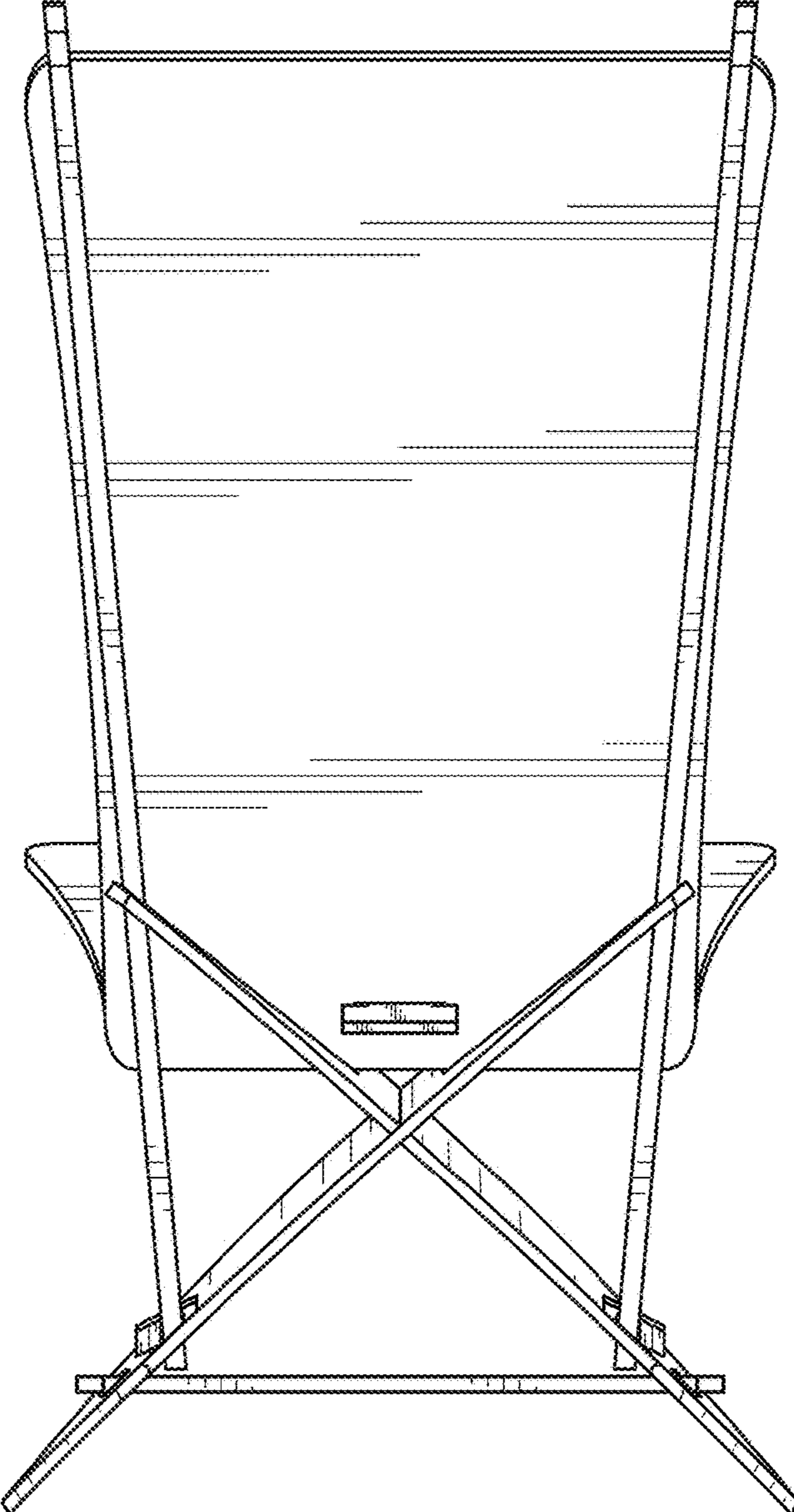


FIG. 3

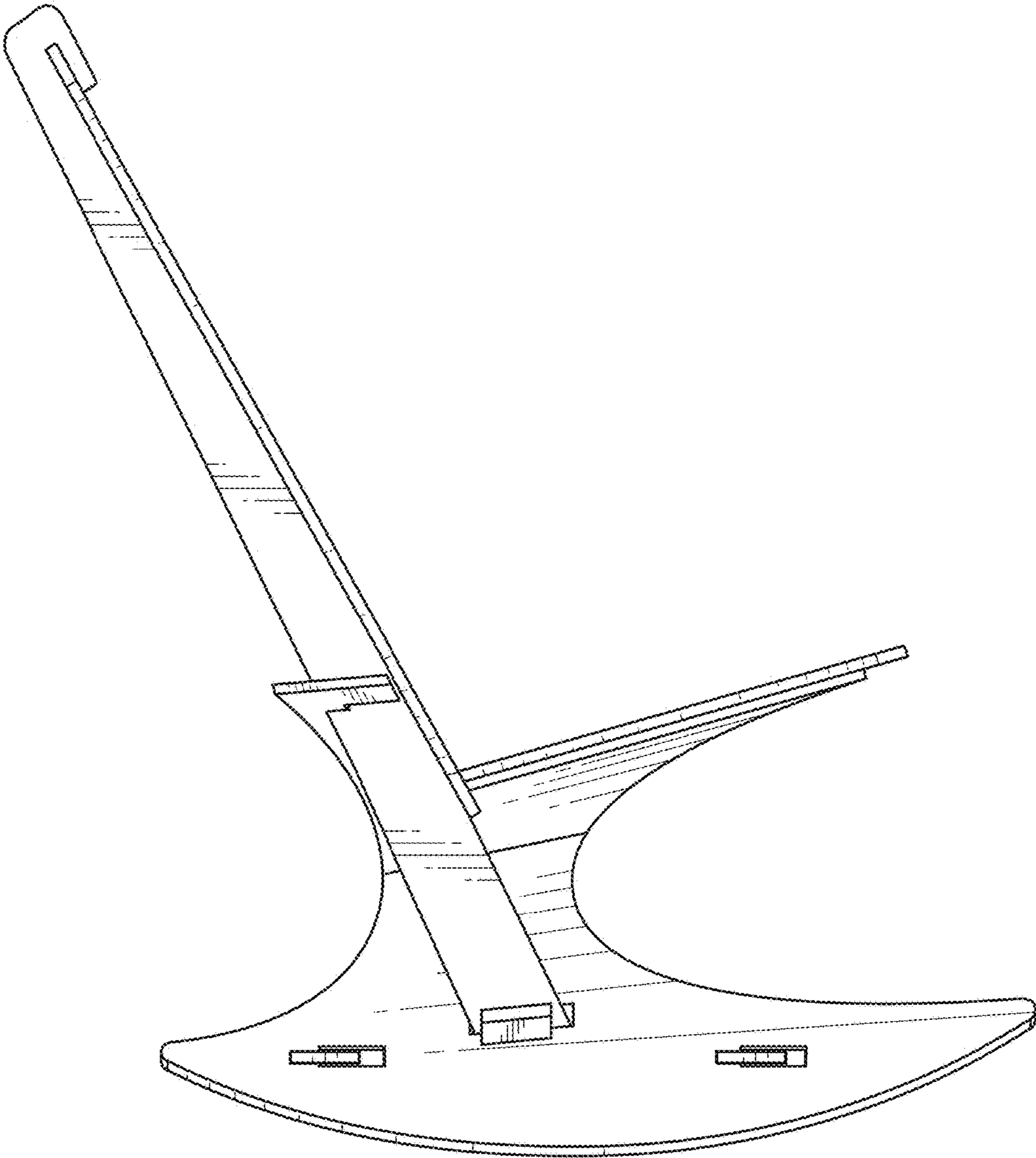


FIG. 4

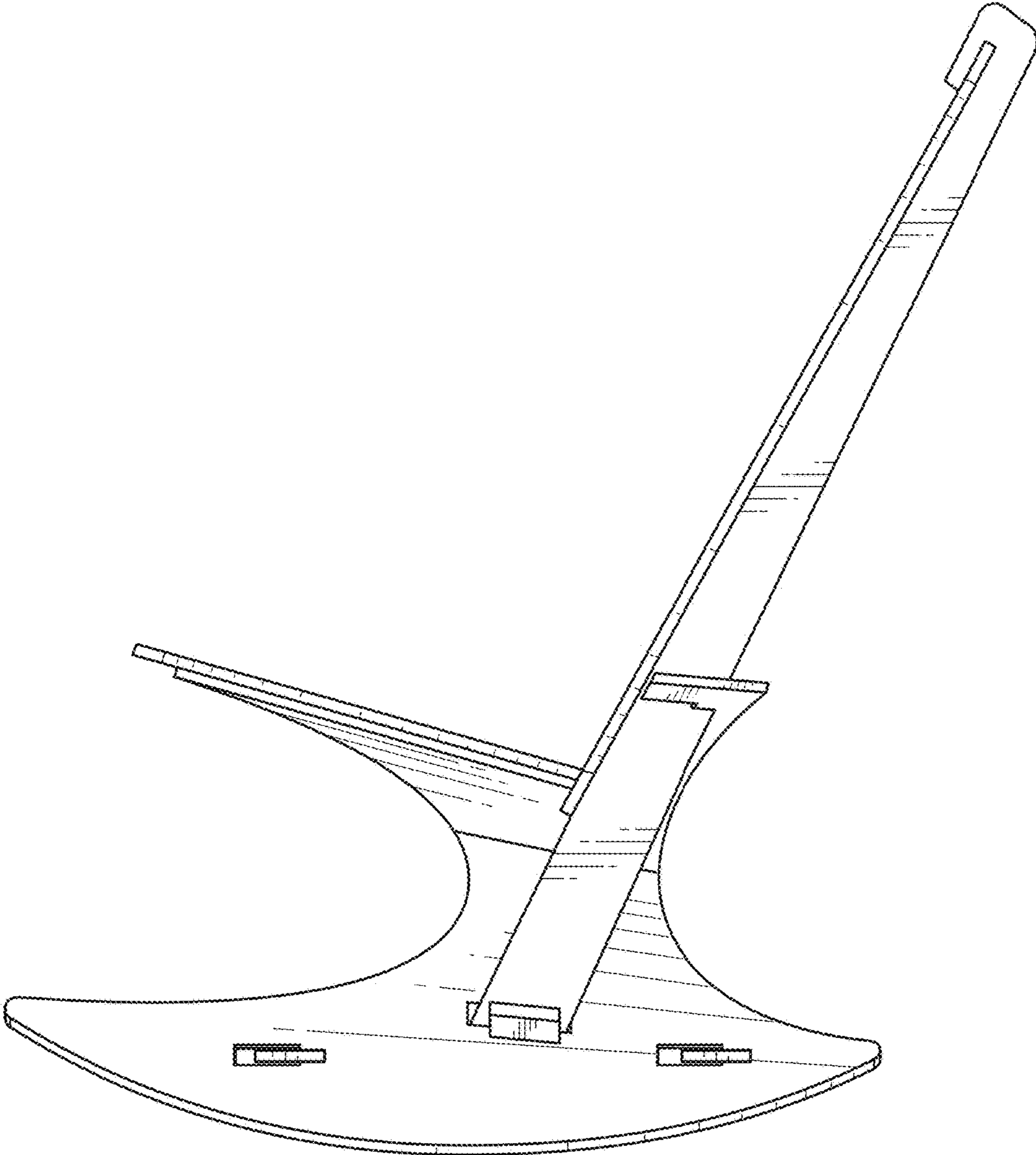


FIG. 5

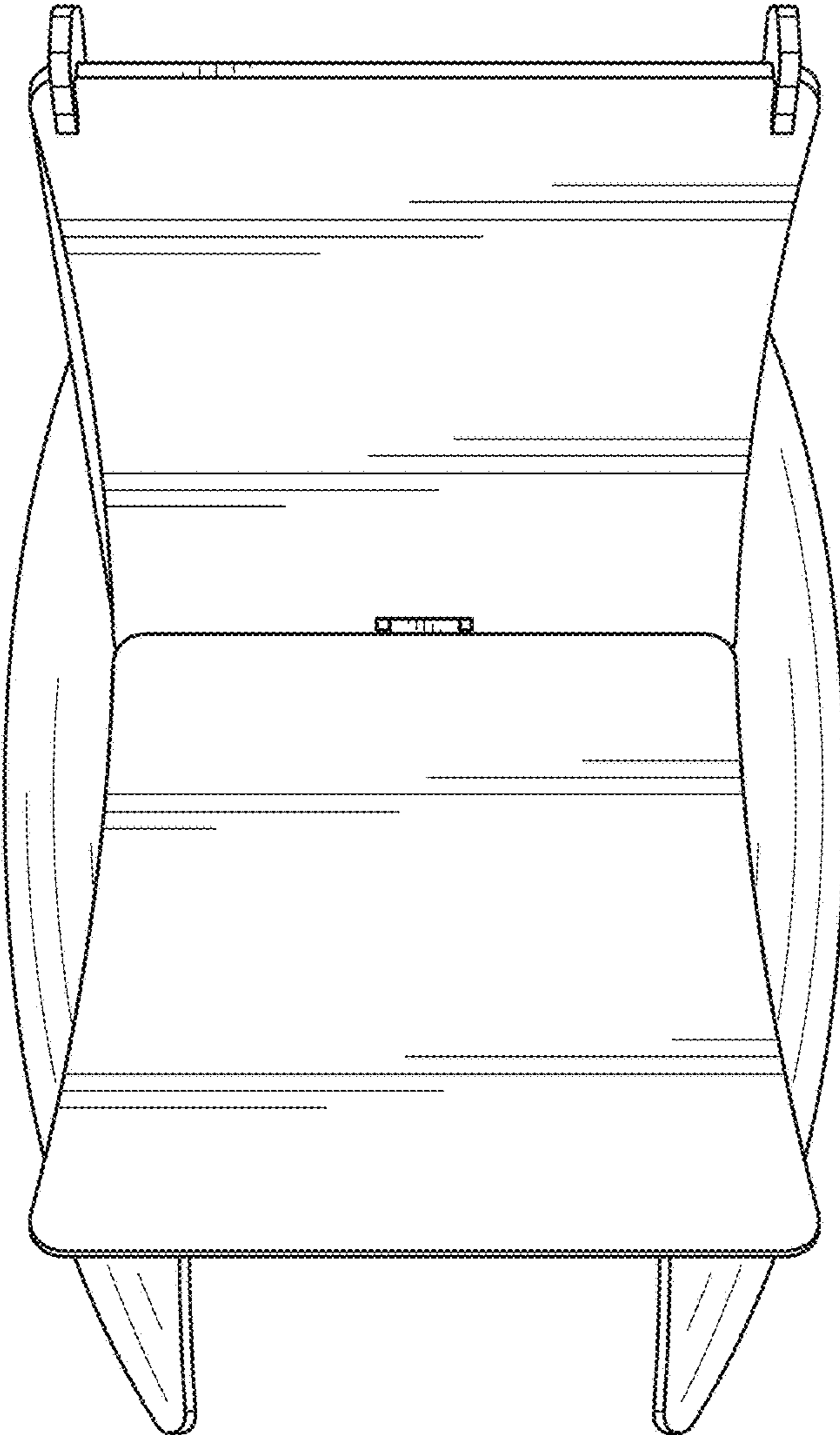


FIG. 6

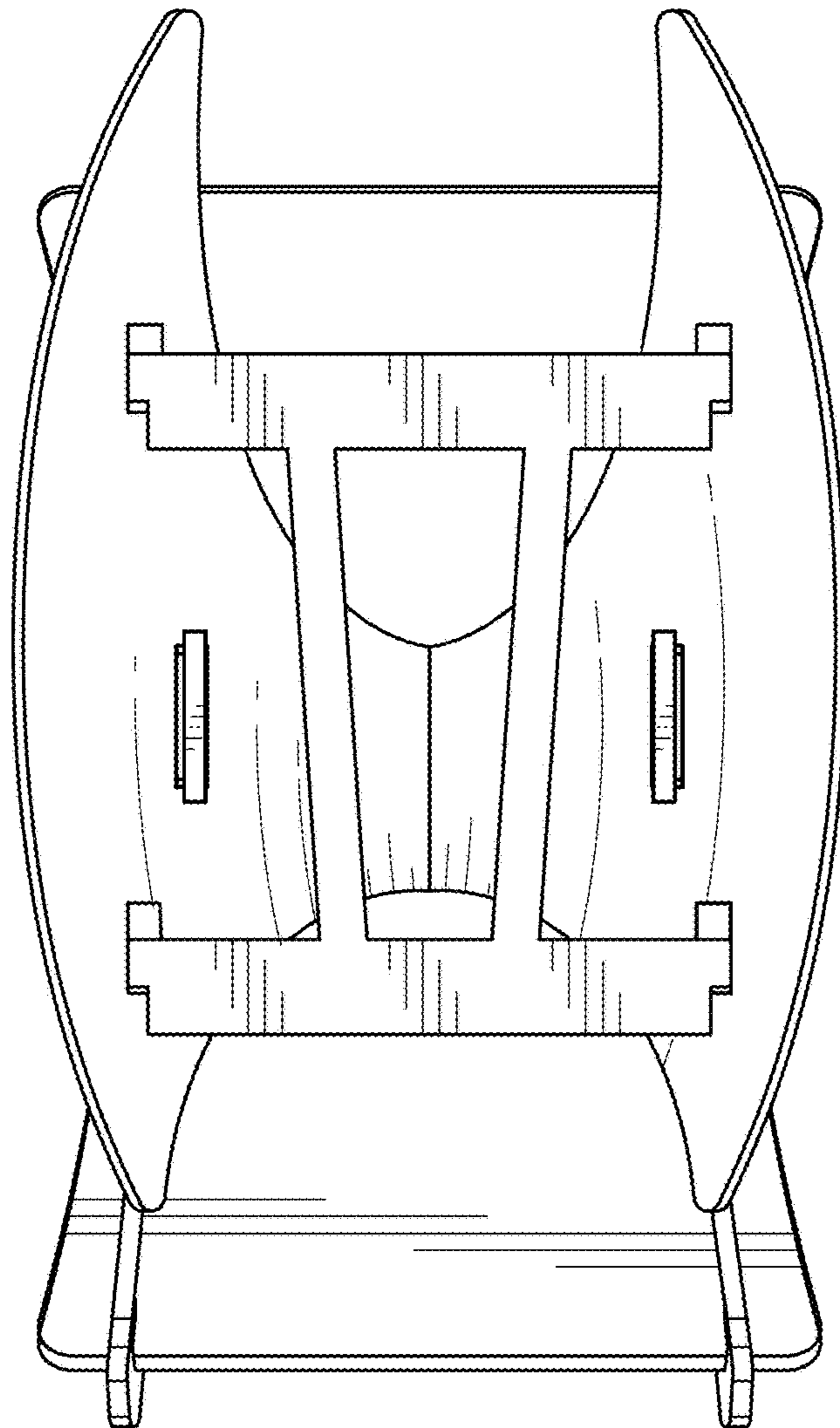


FIG. 7