



US00D838112S

(12) **United States Design Patent**
Yi

(10) **Patent No.:** **US D838,112 S**

(45) **Date of Patent:** **** Jan. 15, 2019**

(54) **CLEANING INSTRUMENT**

(71) Applicant: **Fan Yi**, Shenzhen (CN)

(72) Inventor: **Fan Yi**, Shenzhen (CN)

(73) Assignee: **Shenzhen Meifeifan Trading Co., Ltd**,
Shenzhen (CN)

(**) Term: **15 Years**

(21) Appl. No.: **29/634,384**

(22) Filed: **Jan. 22, 2018**

(51) **LOC (11) Cl.** **04-01**

(52) **U.S. Cl.**
USPC **D4/120; D4/100**

(58) **Field of Classification Search**

USPC D4/100, 102, 111, 118, 119, 120, 123,
D4/136, 137, 199; D28/4, 57, 58, 63,
D28/64.1, 76; D24/200, 211, 214, 215;
15/110; 601/48, 51, 57, 114, 125, 136
CPC A46B 2200/10; A46B 2200/102; A46B
2200/1033; A46B 2200/1046; A46B
2200/1093; A46B 2200/1006; A46B 5/02;
A46B 5/021; A46B 5/026; A46B 13/00;
A46B 13/001; A46B 13/008; A46B
13/023; A46B 3/02; A46B 3/04; A46B
3/005; A46B 9/02; A46B 9/005

See application file for complete search history.

(56) **References Cited**

U.S. PATENT DOCUMENTS

D260,928 S * 9/1981 Gueret D24/211
D409,336 S * 5/1999 Stein D28/63
D648,861 S * 11/2011 Chong D24/215
D737,990 S * 9/2015 Lee D24/200
D764,172 S * 8/2016 Pan D4/100
D767,226 S * 9/2016 Albers D28/63
D768,997 S * 10/2016 Shlaferman D4/111
D778,065 S * 2/2017 Kern A47K 7/043
D4/127

D782,689 S * 3/2017 Sedic A61H 23/004
D24/215

D783,173 S * 4/2017 Sedic A61H 23/004
D24/215

D783,174 S * 4/2017 Sedic A61H 23/004
D24/215

D795,593 S * 8/2017 Huang D4/127

D804,189 S * 12/2017 von Berg D4/100

D812,379 S * 3/2018 Ng D4/120

D816,342 S * 5/2018 Tai D4/100

D817,571 S * 5/2018 Campbell D32/35

D818,272 S * 5/2018 Tai D4/100

D819,338 S * 6/2018 Xiong D4/102

D822,387 S * 7/2018 Tai D4/100

D823,606 S * 7/2018 Roth D4/134

D829,445 S * 10/2018 Kern D4/127

2016/0135582 A1 * 5/2016 Yen A47K 7/04
15/22.1

2017/0367471 A1 * 12/2017 Straka A46B 15/0006

2018/0271337 A1 * 9/2018 Powell A46B 5/0095

* cited by examiner

Primary Examiner — Wan Laymon

Assistant Examiner — Clint A Samuel

(57) **CLAIM**

The ornamental design for a cleaning instrument, as shown and described.

DESCRIPTION

FIG. 1 is a front elevational view of a cleaning instrument showing my new design;

FIG. 2 is a rear elevational view thereof;

FIG. 3 is a left side elevational view thereof;

FIG. 4 is a right side elevational view thereof;

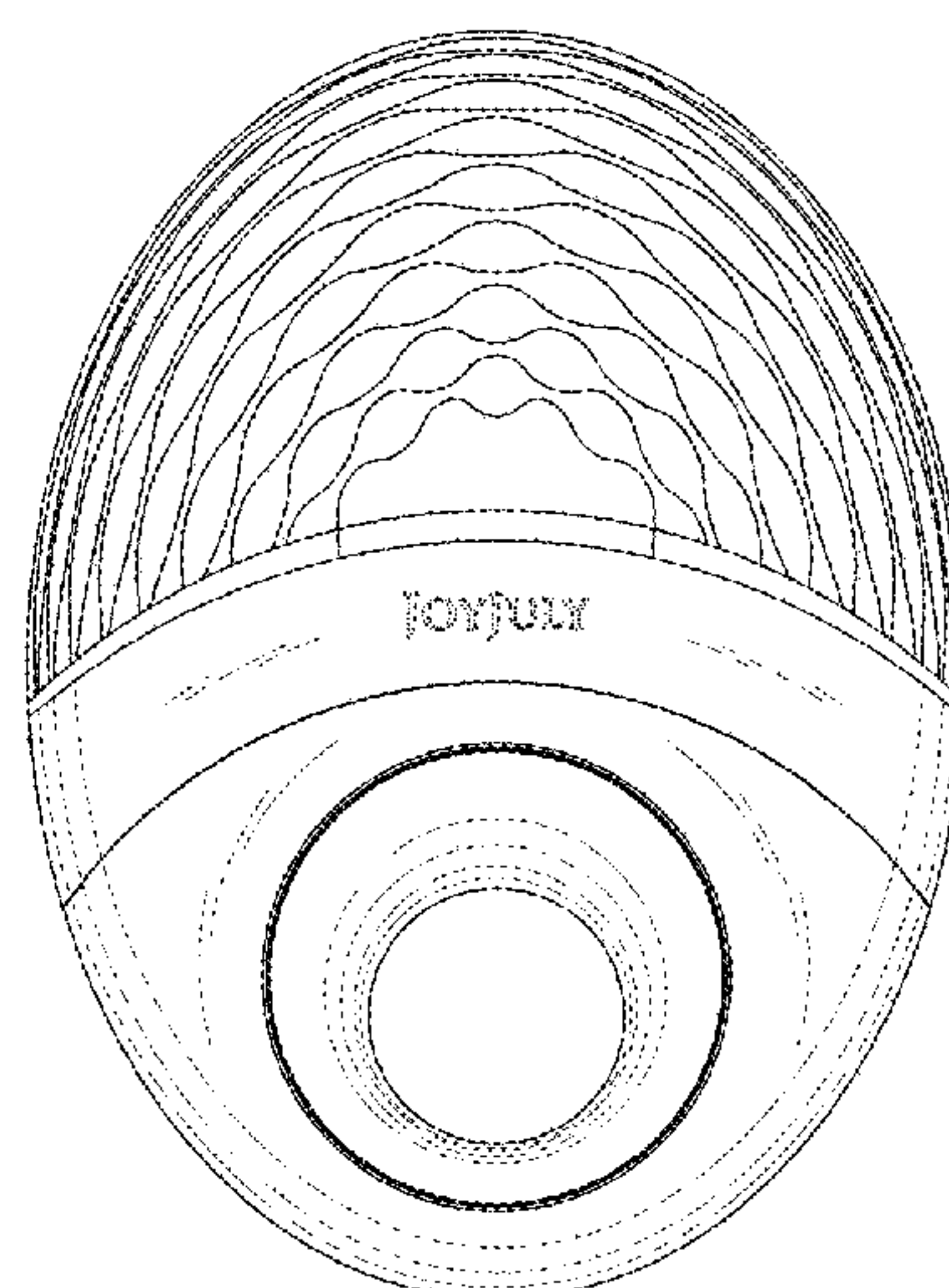
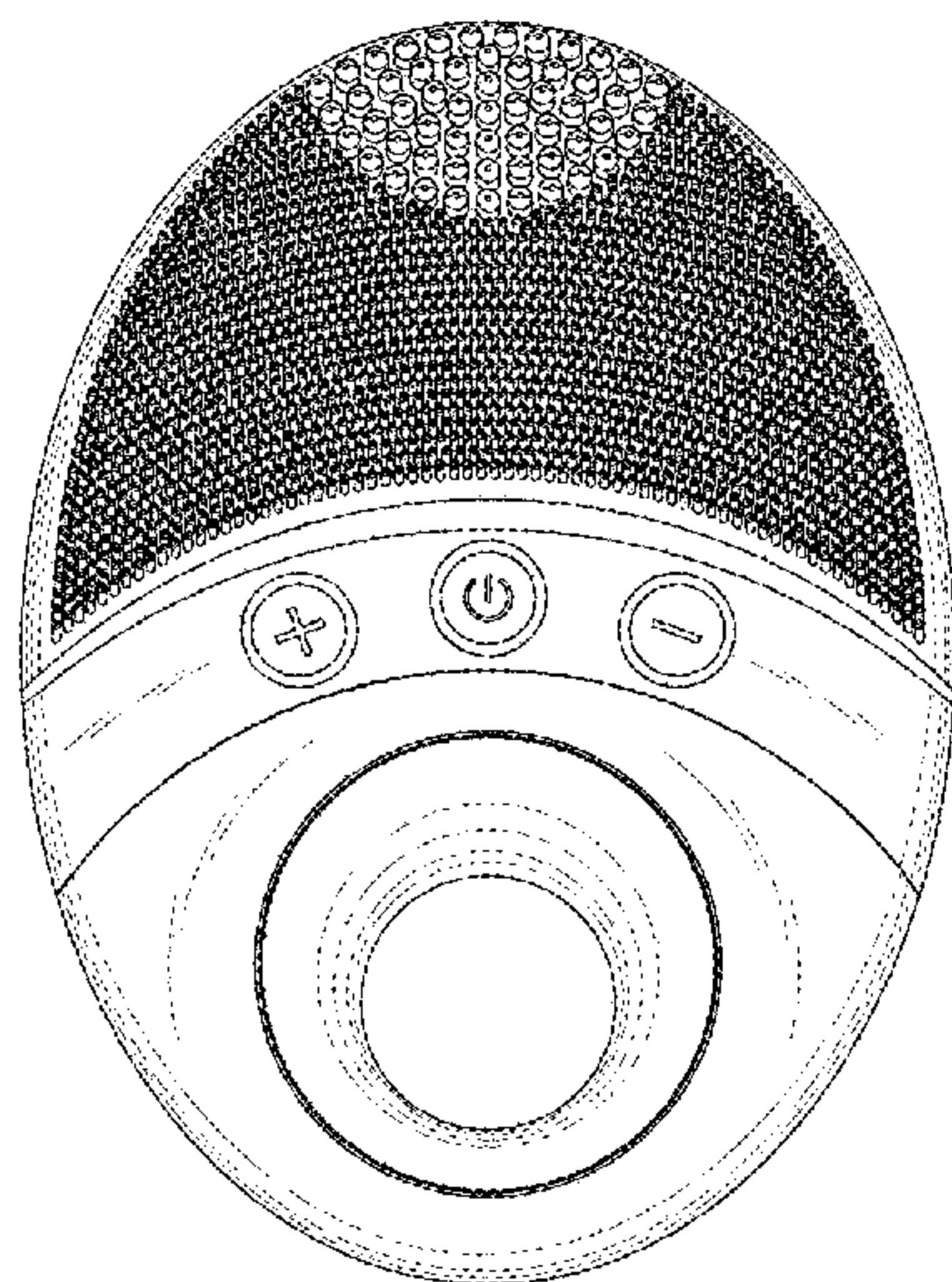
FIG. 5 is a top plan view thereof;

FIG. 6 is a bottom plan view thereof; and,

FIG. 7 is a perspective view thereof.

The broken lines depict environment that forms no part of the claimed design.

1 Claim, 7 Drawing Sheets



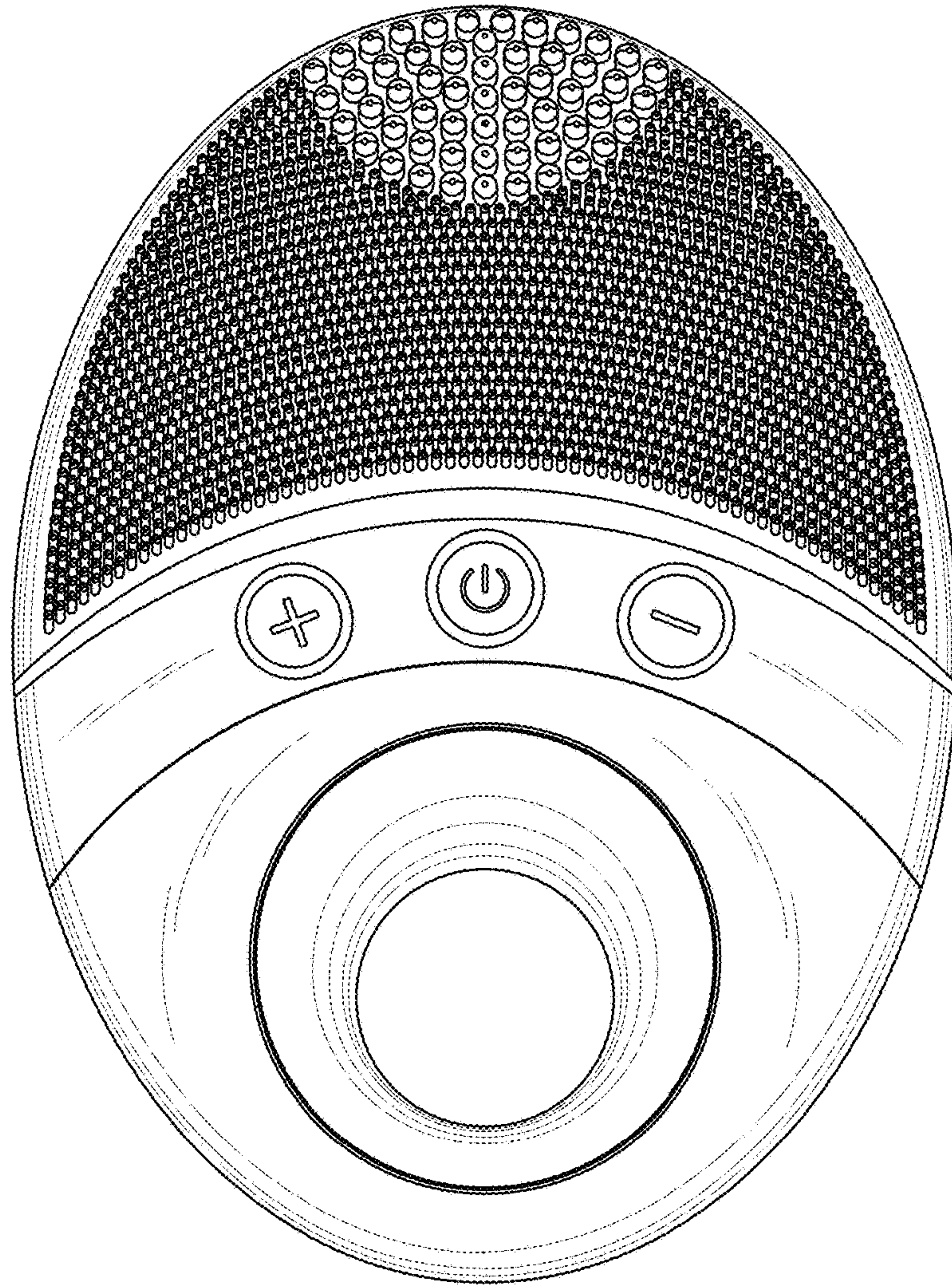


FIG.1

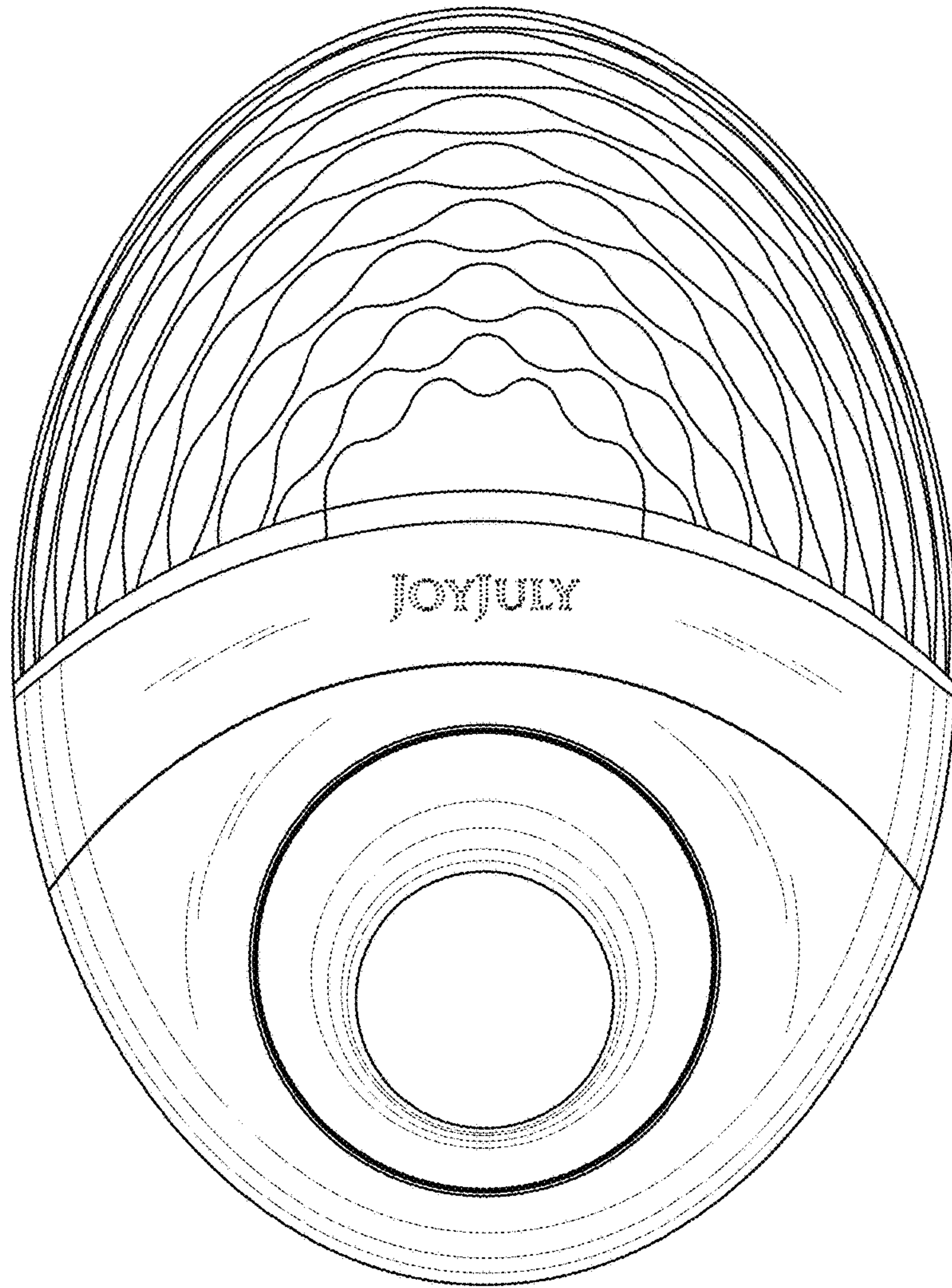


FIG.2

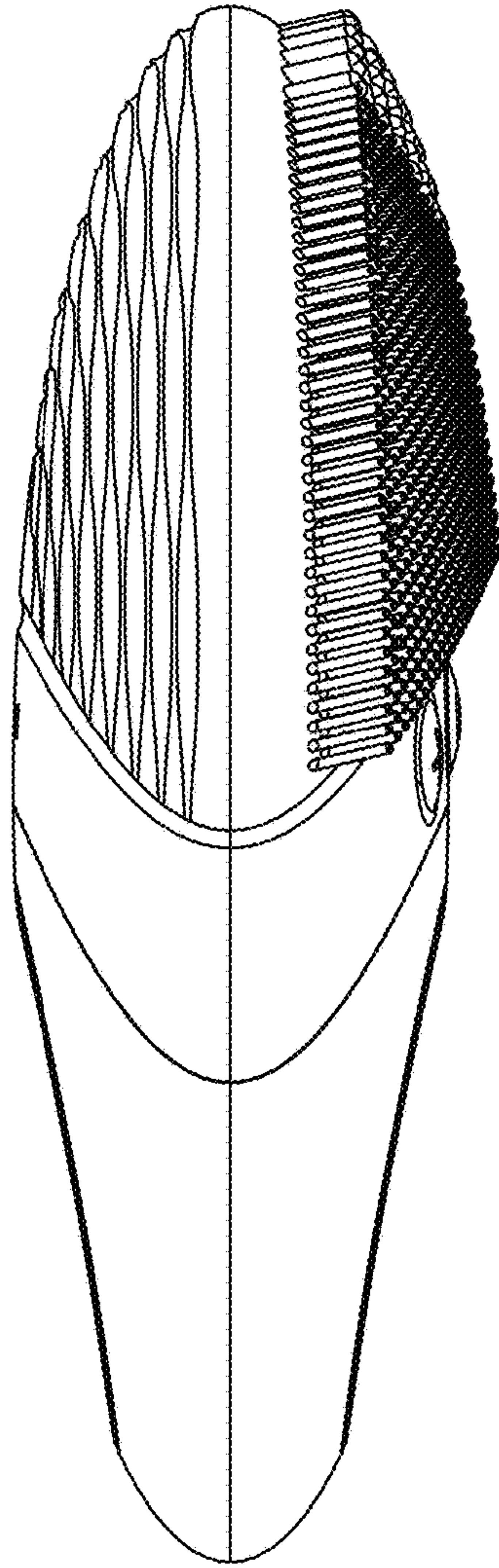


FIG.3

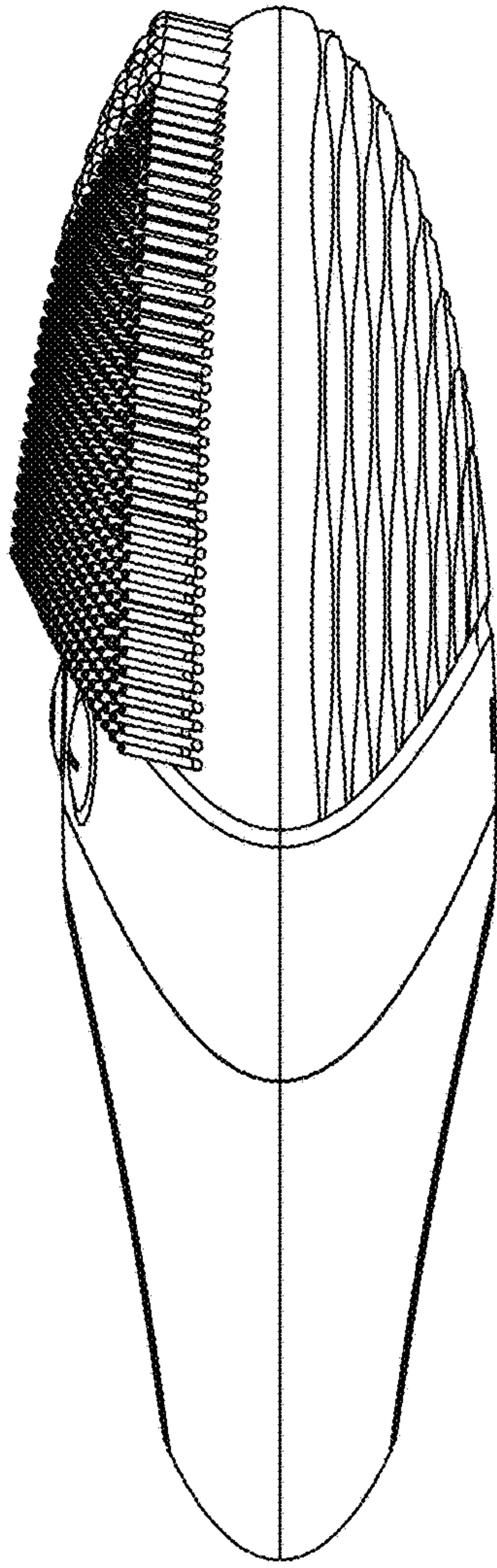


FIG.4

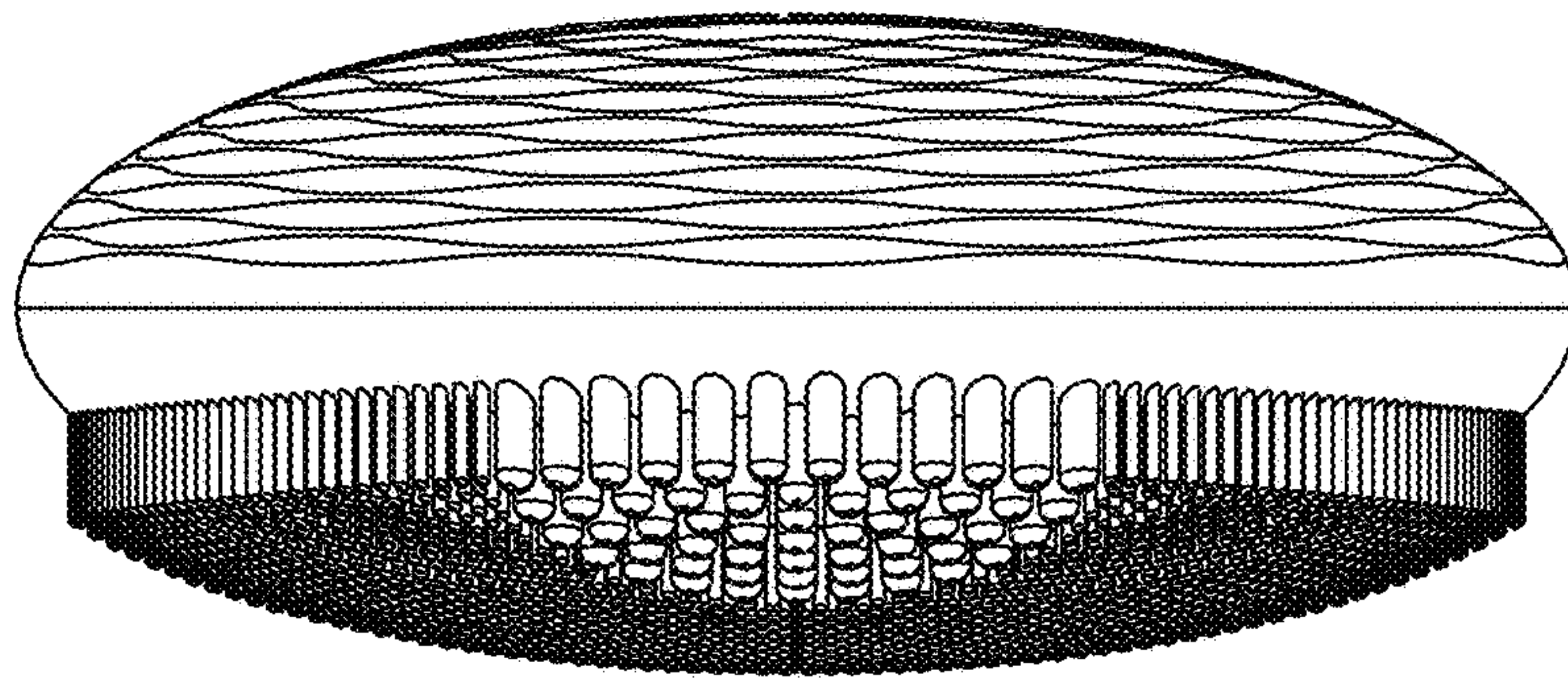


FIG.5

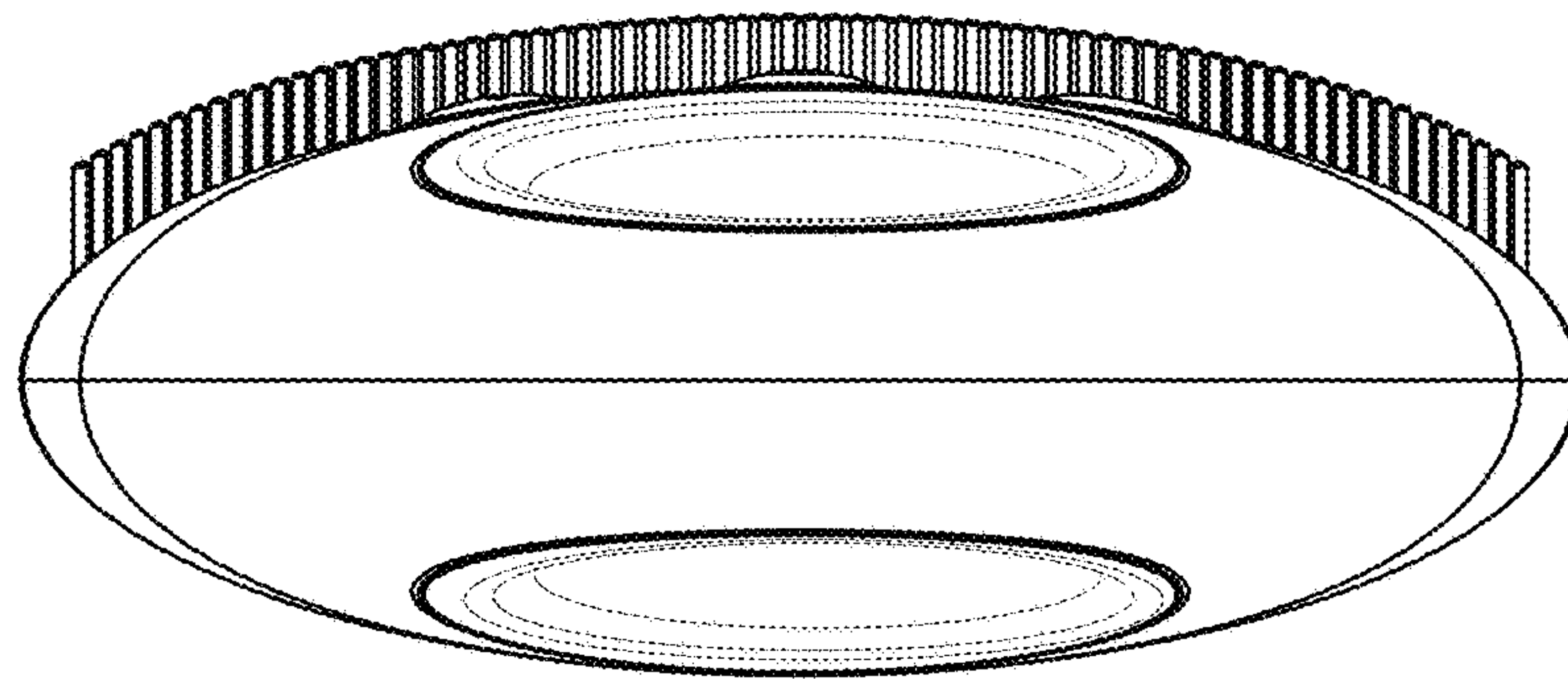


FIG.6

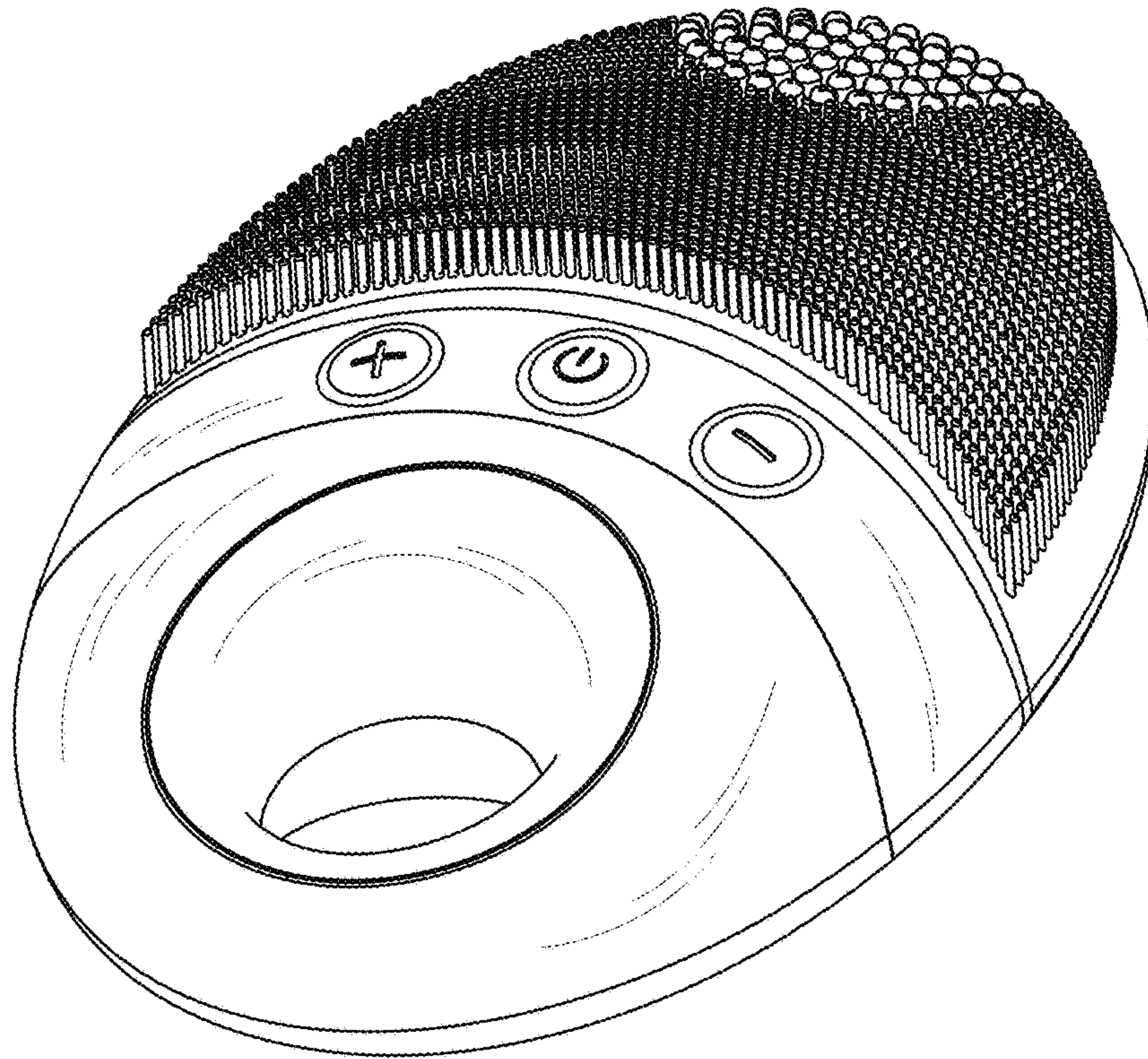


FIG.7