



US00D838108S

(12) **United States Design Patent**
Samartgis

(10) **Patent No.:** **US D838,108 S**

(45) **Date of Patent:** **** *Jan. 15, 2019**

(54) **CONTAINER CLIP**

5,462,222 A * 10/1995 Boeck, II B65D 5/069
229/125.12

(71) Applicant: **THE DECOR CORPORATION PTY LTD**, Scoresby VIC (AU)

D737,140 S * 8/2015 Lindsay D9/443
D746,101 S * 12/2015 Manley D7/387

(72) Inventor: **Jim Samartgis**, Scoresby (AU)

* cited by examiner

(73) Assignee: **The Decor Corporation Pty Ltd**, Scoresby Victoria (AU)

Primary Examiner — Holly H Baynham

(74) *Attorney, Agent, or Firm* — Kilpatrick Townsend & Stockton LLP

(*) Notice: This patent is subject to a terminal disclaimer.

(**) Term: **15 Years**

(57) **CLAIM**

(21) Appl. No.: **29/609,347**

The ornamental design for a container clip, as shown and described.

(22) Filed: **Jun. 29, 2017**

(30) **Foreign Application Priority Data**

Feb. 9, 2017 (AU) 201710736

Feb. 9, 2017 (AU) 201710742

(51) **LOC (11) Cl.** **03-01**

(52) **U.S. Cl.**
USPC **D3/318**

(58) **Field of Classification Search**
USPC D3/318, 228; D9/443
CPC B65D 45/16; E05C 19/06
See application file for complete search history.

DESCRIPTION

FIG. 1 is a top, front perspective view of a container clip showing my new design;
FIG. 2 is a bottom, rear perspective view thereof;
FIG. 3 is a top plan view thereof;
FIG. 4 is a bottom plan view thereof;
FIG. 5 is a right side elevational view thereof;
FIG. 6 is a front elevational view thereof;
FIG. 7 is a left side elevational view thereof;
FIG. 8 is a rear elevational view thereof; and,
FIG. 9 is a perspective view of the container clip shown in environmental context connected to a container.
The broken lines showing a container are for the purposes of illustrating environment and form no part of the claimed design.

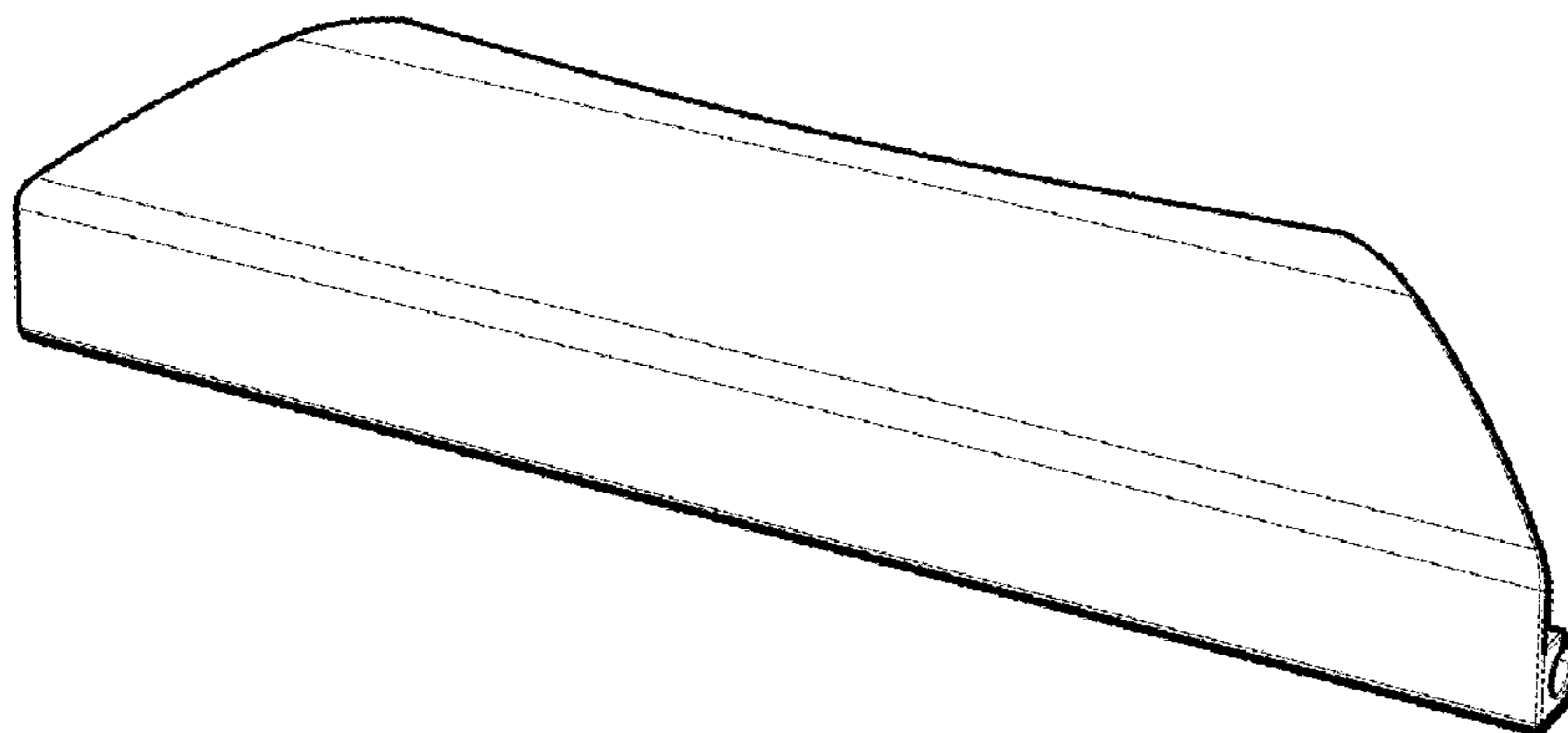
(56) **References Cited**

U.S. PATENT DOCUMENTS

3,776,583 A * 12/1973 Biscardi E05C 19/06
292/258

5,232,116 A * 8/1993 Baxter B65D 45/16
220/324

1 Claim, 4 Drawing Sheets



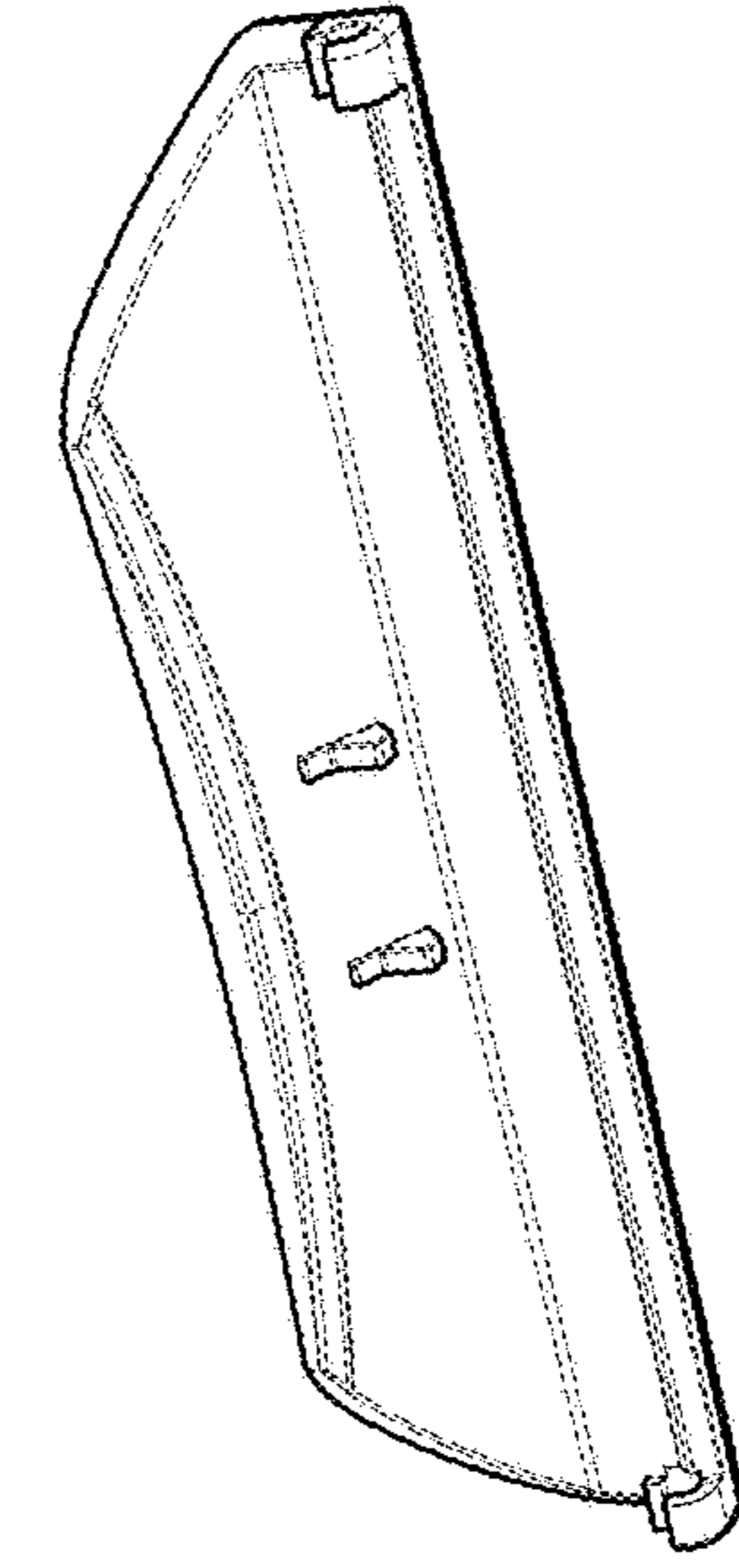


Figure 2

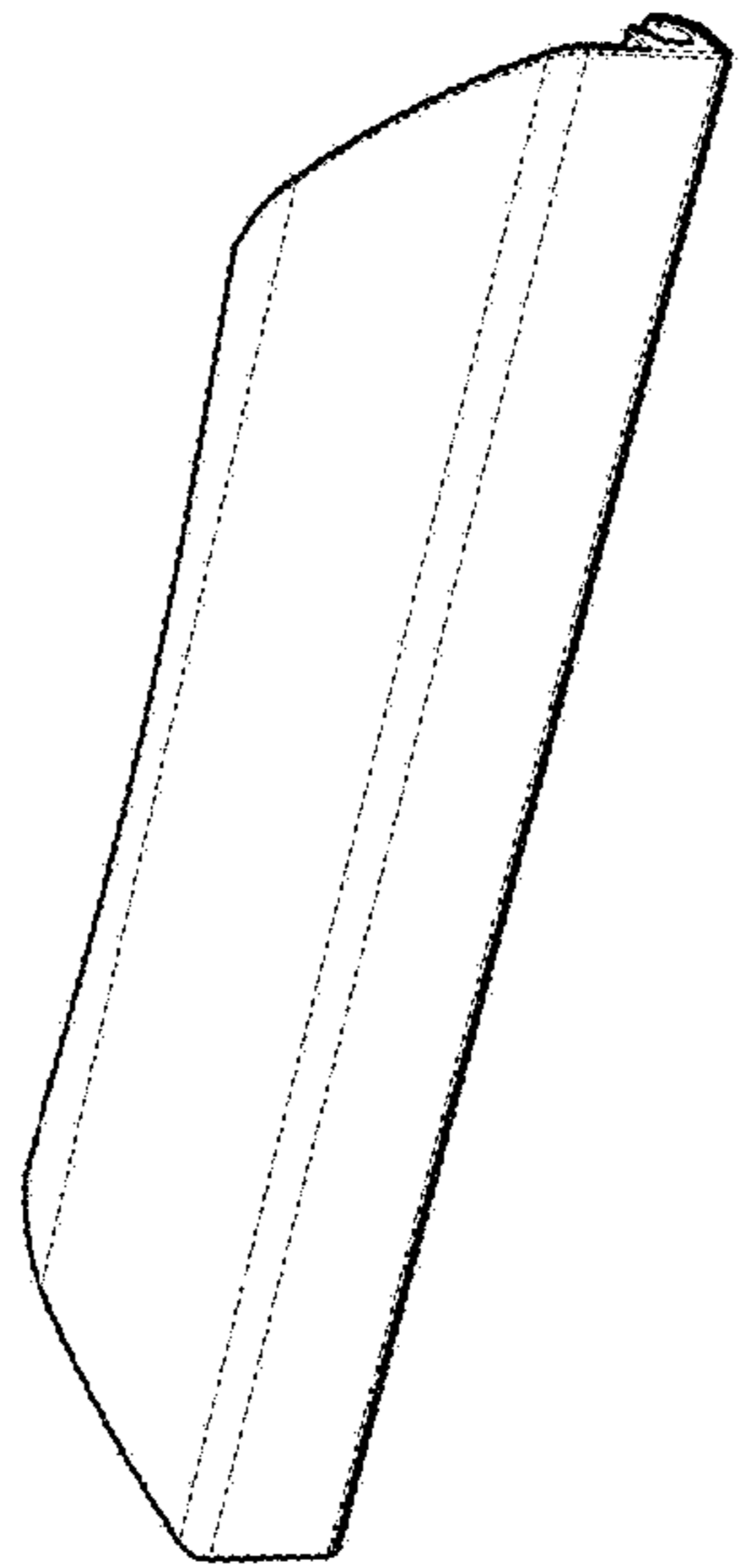


Figure 1

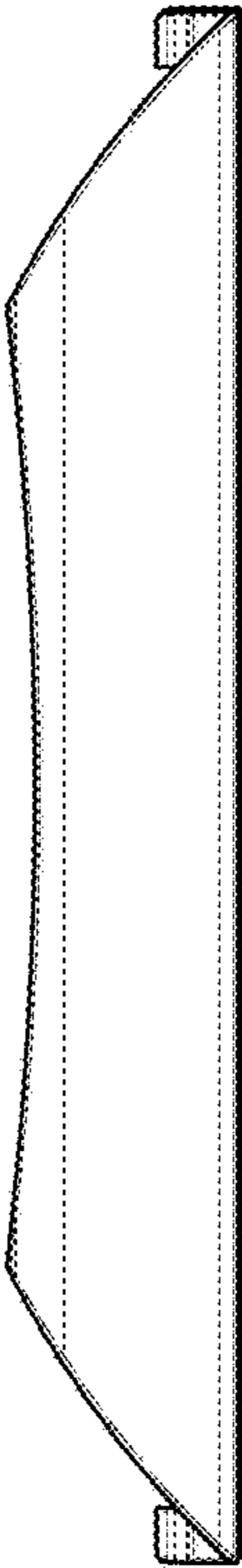


Figure 3

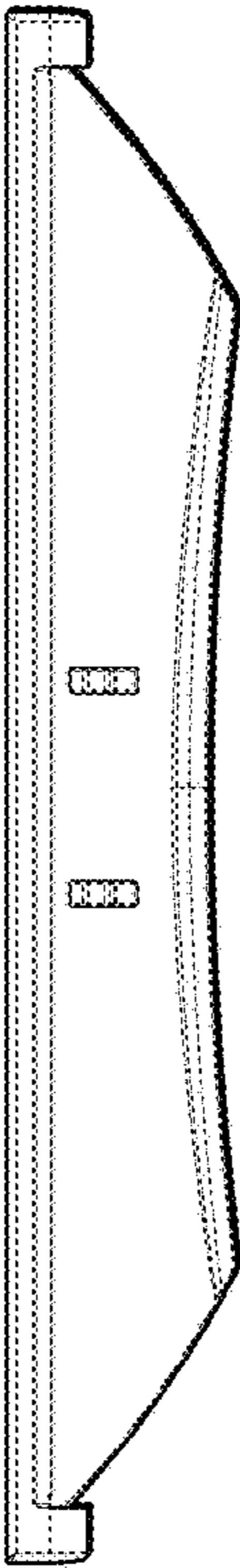


Figure 4

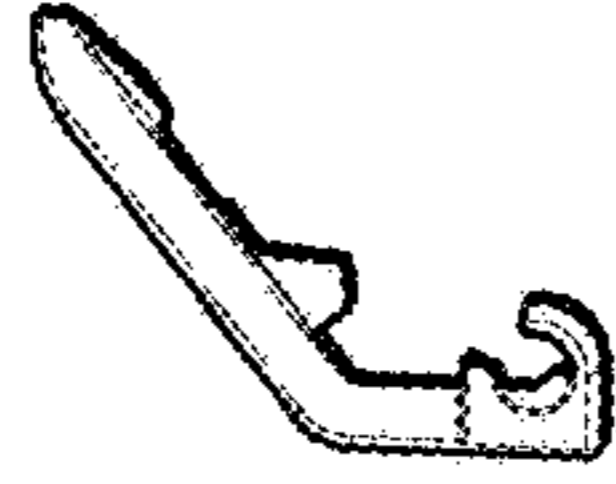


Figure 5

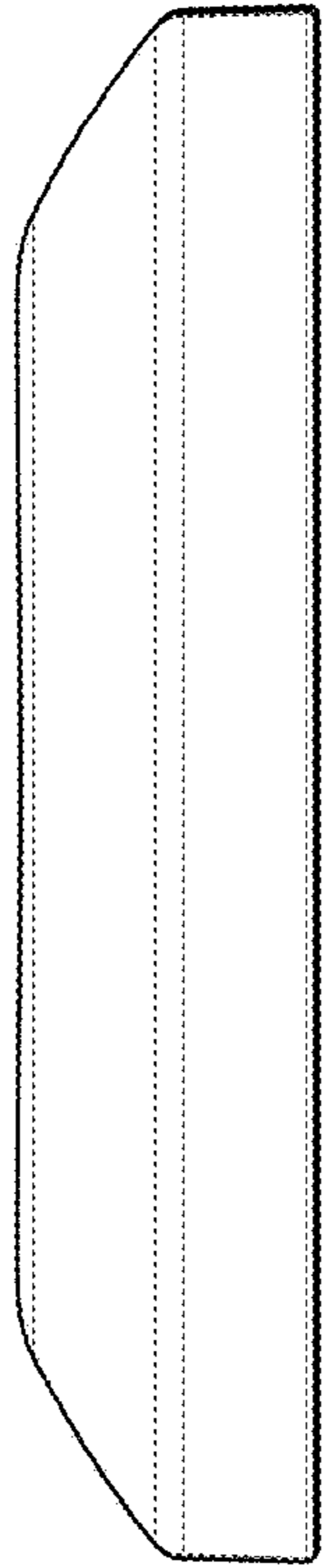


Figure 6



Figure 7

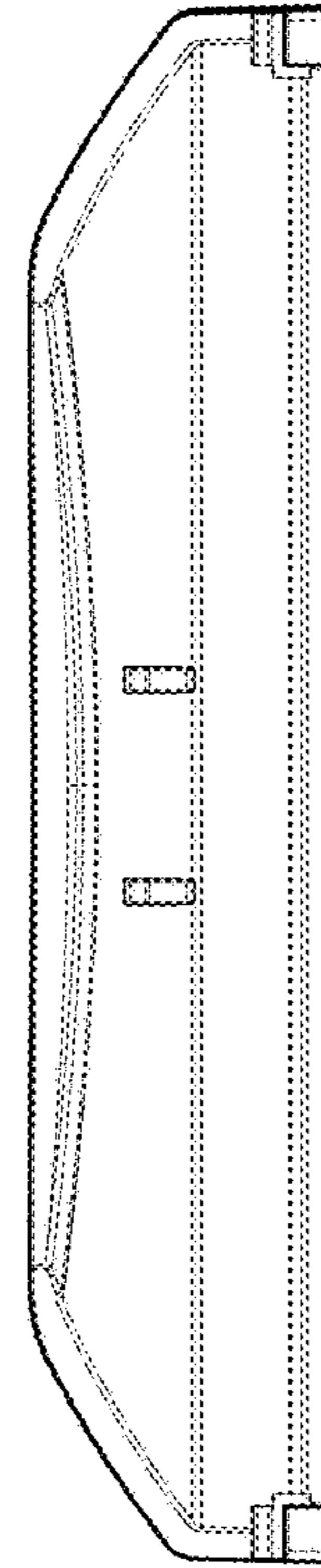


Figure 8

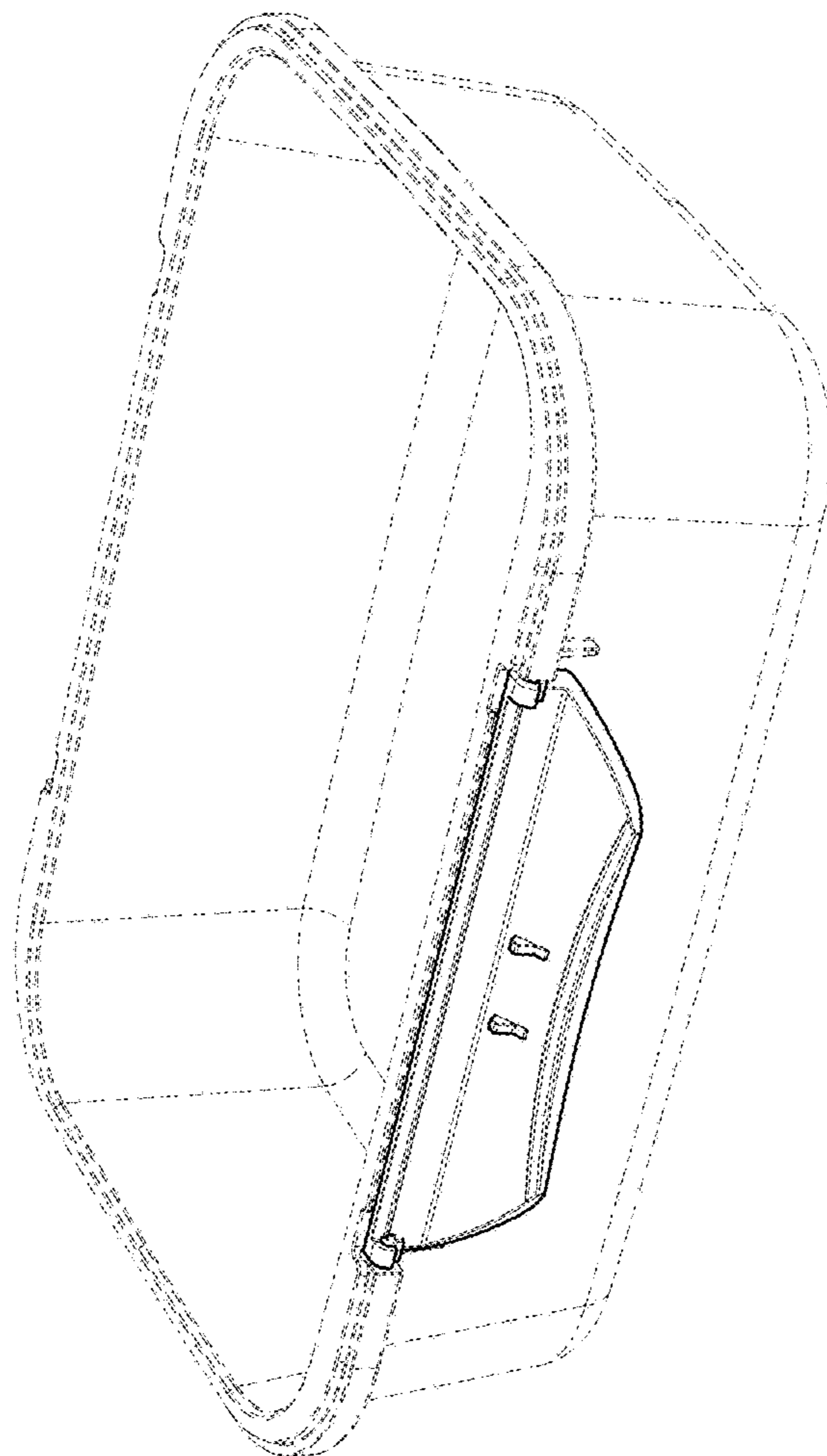


Figure 9