



US00D838107S

(12) **United States Design Patent** (10) **Patent No.:** **US D838,107 S**
Daly et al. (45) **Date of Patent:** **** Jan. 15, 2019**

(54) **MOBILE PHONE HOLDER**

(71) Applicants: **Kevin Daly**, Plymouth, MN (US);
Rachel Simon, Chicago, IL (US); **Bob Rech**, Elm Grove, WI (US)

(72) Inventors: **Kevin Daly**, Plymouth, MN (US);
Rachel Simon, Chicago, IL (US); **Bob Rech**, Elm Grove, WI (US)

D799,852 S * 10/2017 Pena D6/515
D802,303 S * 11/2017 Eure, Jr. D3/303
D804,845 S * 12/2017 Cockburn D6/513
D804,846 S * 12/2017 Cockburn D6/513
D805,816 S * 12/2017 Gale D6/683

* cited by examiner

Primary Examiner — Kelley A Donnelly
(74) *Attorney, Agent, or Firm* — Advitam IP, LLC

(**) Term: **15 Years**

(21) Appl. No.: **29/592,286**

(22) Filed: **Jan. 28, 2017**

(51) **LOC (11) Cl.** **06-06**

(52) **U.S. Cl.**
USPC **D3/304**

(58) **Field of Classification Search**
USPC D6/512–514, 657–658, 663–664,
D6/667–668, 672–674, 682–682.1;
D7/603–608, 629; D15/79–81;
D3/304–315
CPC B65D 1/02; B65D 1/023; B65D 1/0223
See application file for complete search history.

(56) **References Cited**

U.S. PATENT DOCUMENTS

D365,714 S * 1/1996 Masello D6/526
D425,076 S * 5/2000 Richter D14/253
D643,659 S * 8/2011 Choi D6/553
D649,192 S * 11/2011 Beukema D19/75
D655,702 S * 3/2012 Saxton D12/422
D715,284 S * 10/2014 Iwamoto D12/415
D727,143 S * 4/2015 Gomez D14/251
D731,352 S * 6/2015 Howard D11/155
D736,726 S * 8/2015 Andersen D13/152
D755,738 S * 5/2016 Altonen D13/168
D765,648 S * 9/2016 Starkenburg D12/415
D774,762 S * 12/2016 Aller D3/304
D797,546 S * 9/2017 Saideh D8/354

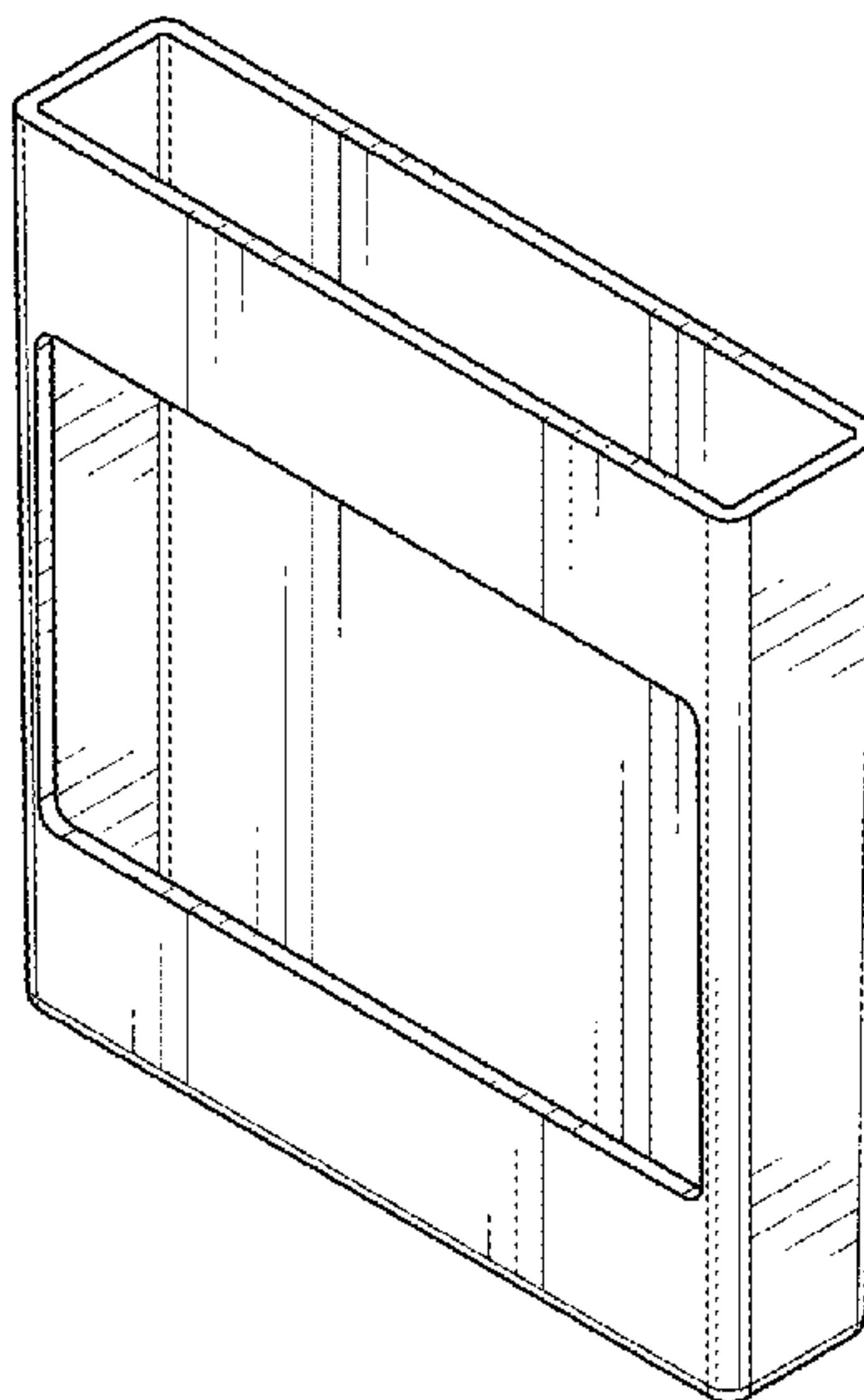
(57) **CLAIM**

The ornamental design for a mobile phone holder, as shown and described.

DESCRIPTION

FIG. 1 is a front perspective view of the mobile phone holder;
FIG. 2 is a front view of the mobile phone holder;
FIG. 3 is a rear view of mobile phone holder;
FIG. 4 is a top view of the mobile phone holder;
FIG. 5 is a bottom view of the mobile phone holder;
FIG. 6 is a left-side view of the mobile phone holder;
FIG. 7 is a right-side view of the mobile phone holder;
FIG. 8 is an alternate view of the mobile phone holder in a base;
FIG. 9 is an alternate view of the mobile phone holder mounted to the rear of a seat;
FIG. 10 is an alternate view of the mobile phone holder mounted to a table; and,
FIG. 11 is an alternate view of the mobile phone holder mounted to a bar.
The broken lines depict environmental subject matter only and form no part of the claimed design.
The break lines shown in FIGS. 10 and 11 are not part of the claimed design and represent that no particular length is claimed.

1 Claim, 6 Drawing Sheets



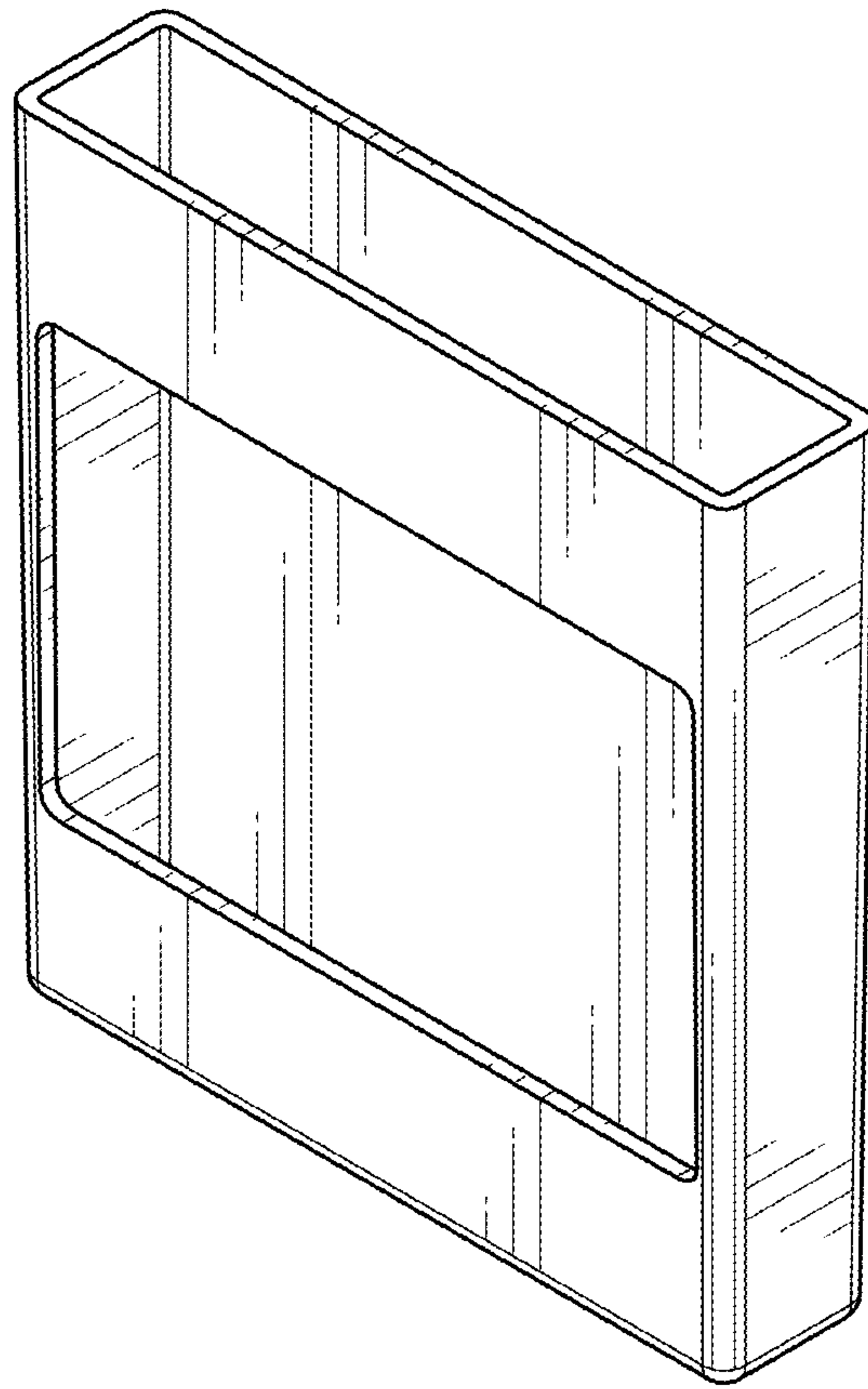


FIG. 1

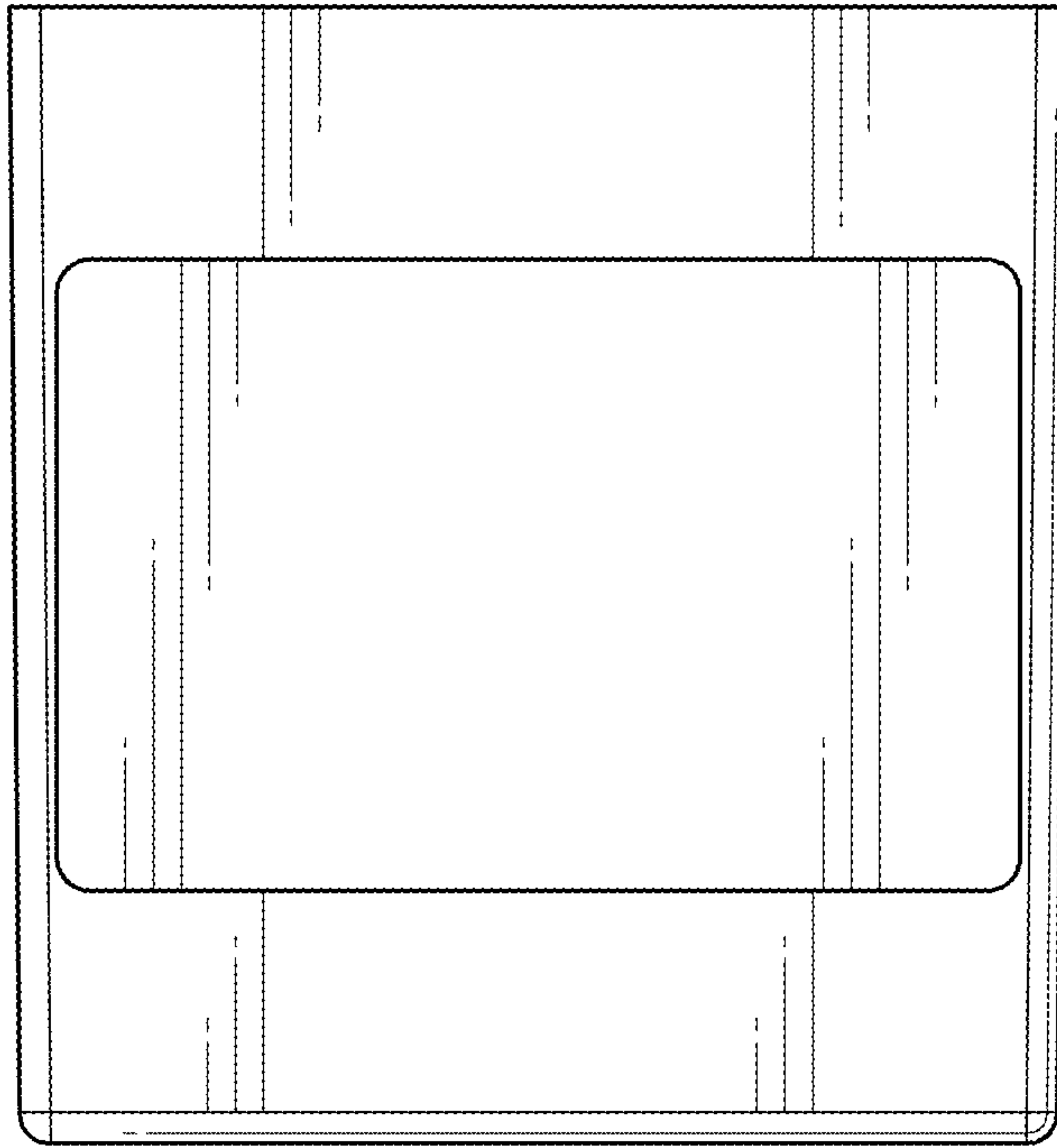


FIG. 2

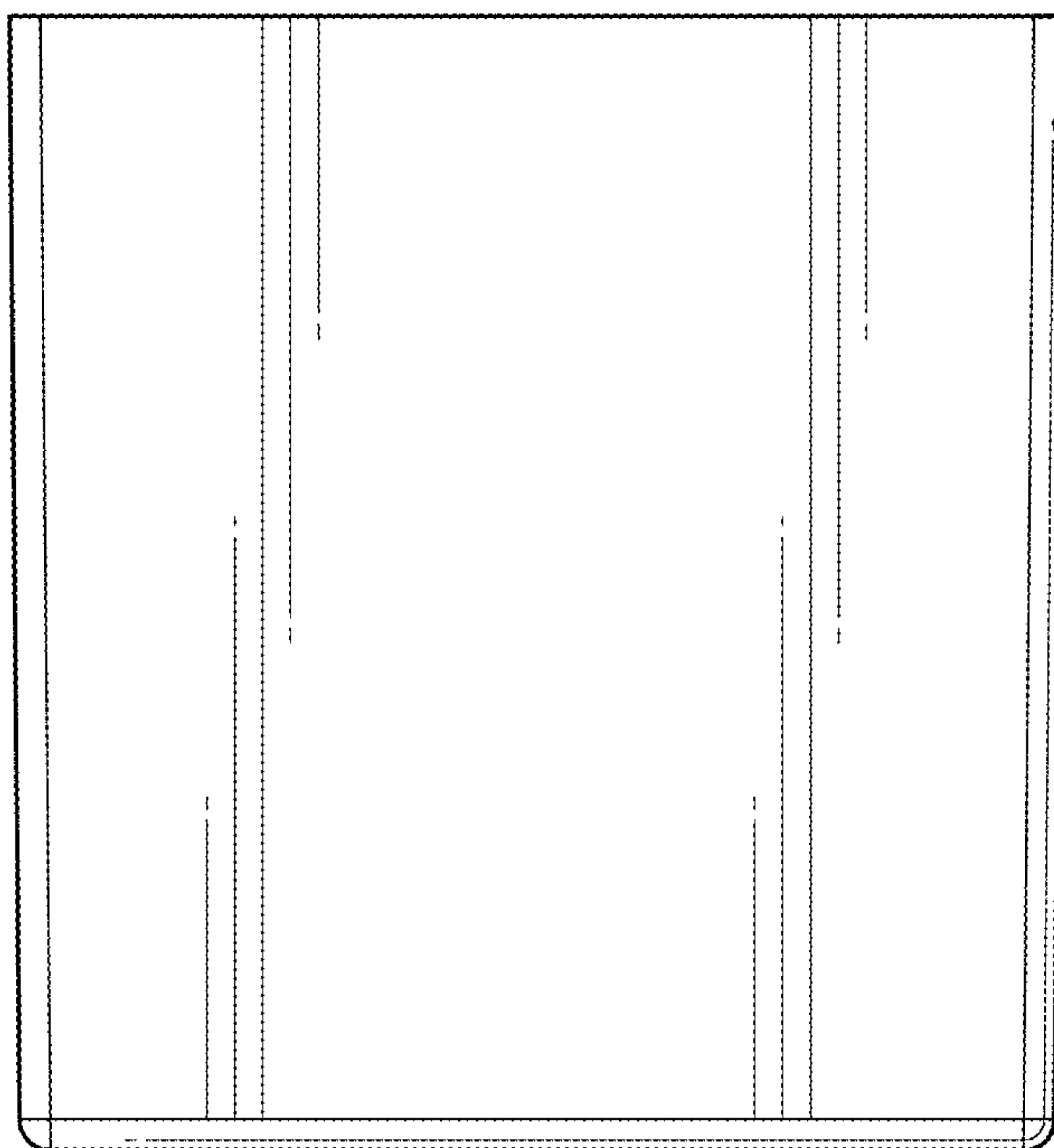


FIG. 3

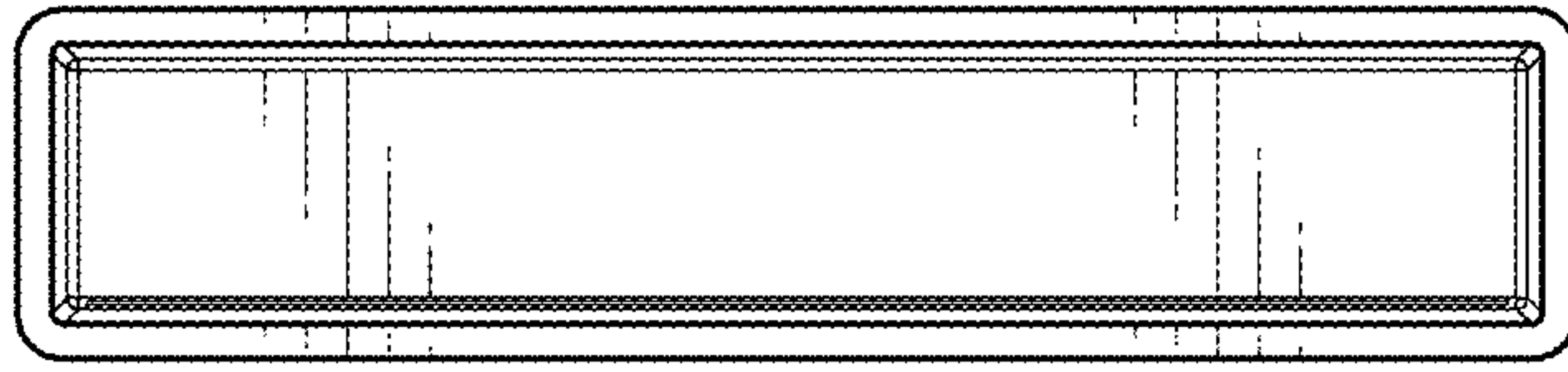


FIG. 4

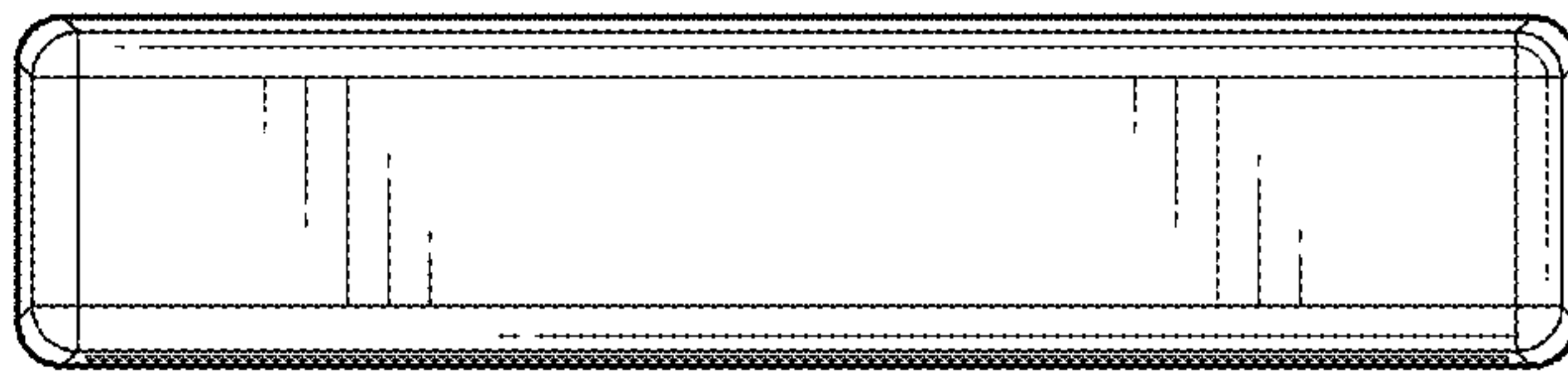


FIG. 5

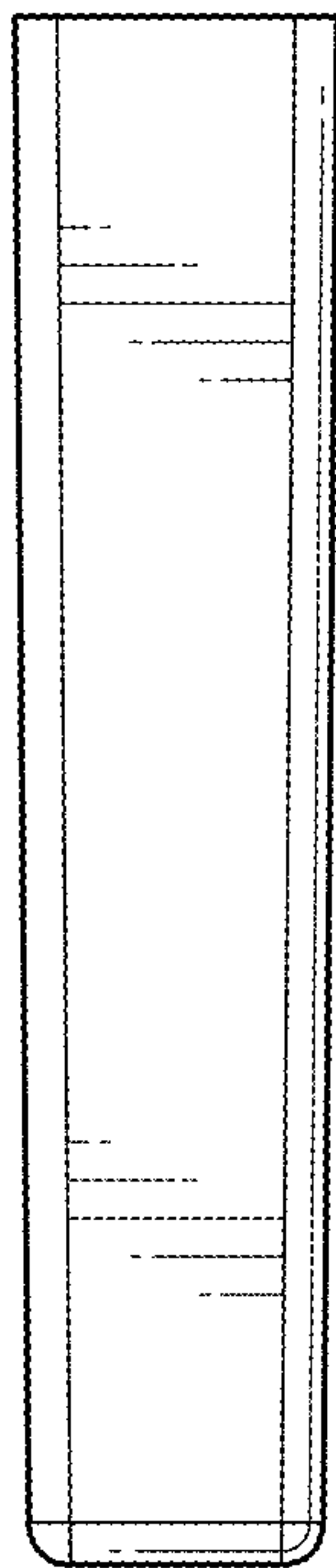


FIG. 6

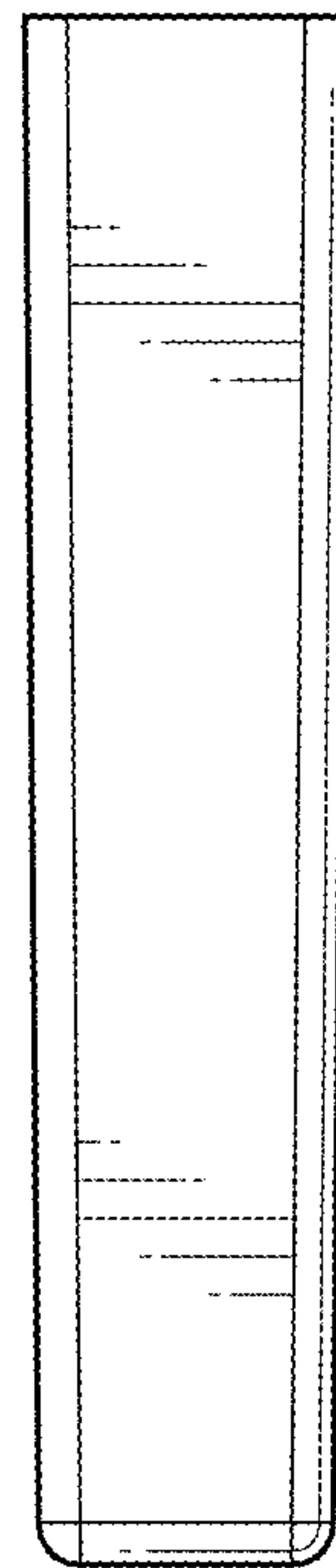


FIG. 7

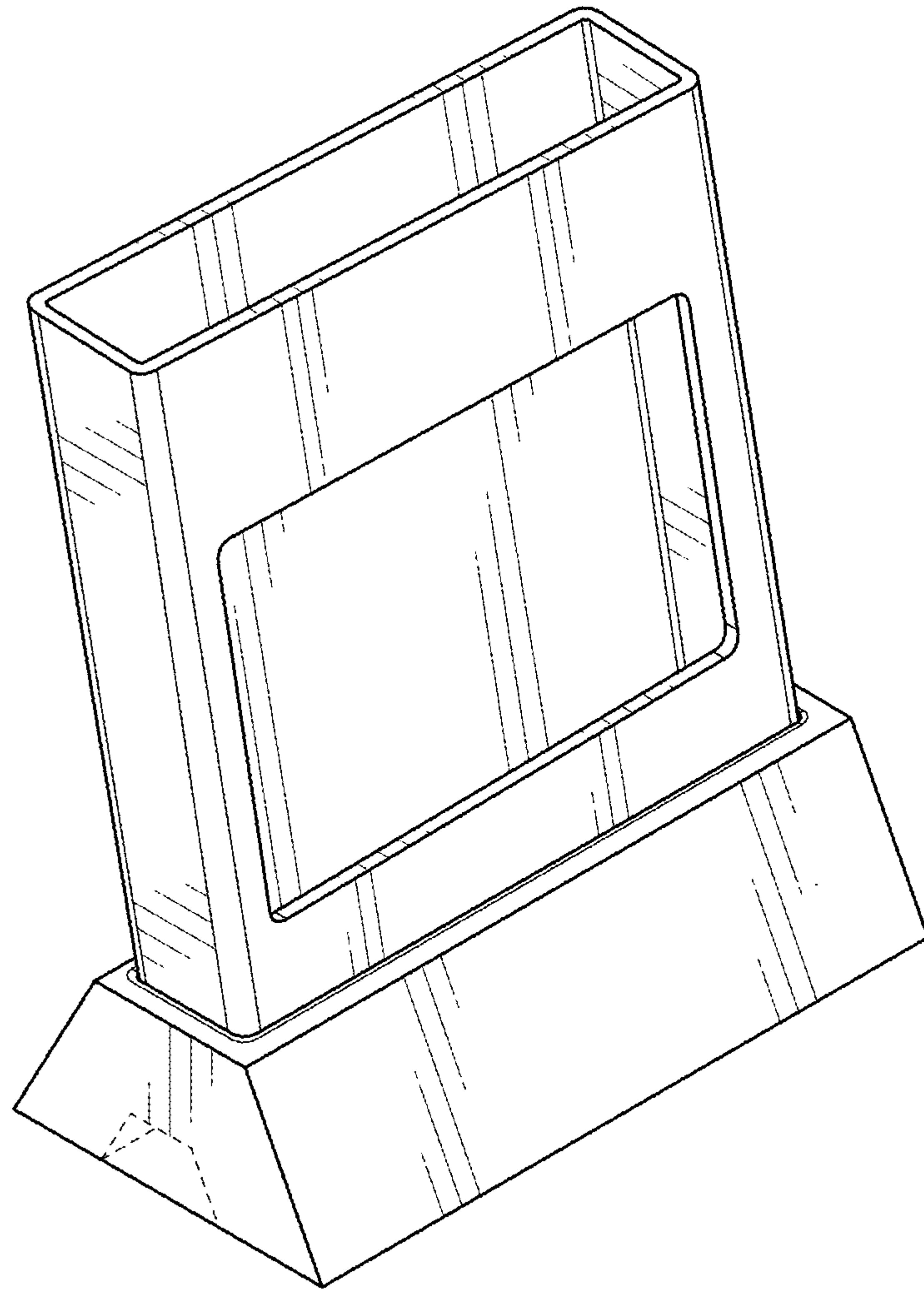


FIG. 8

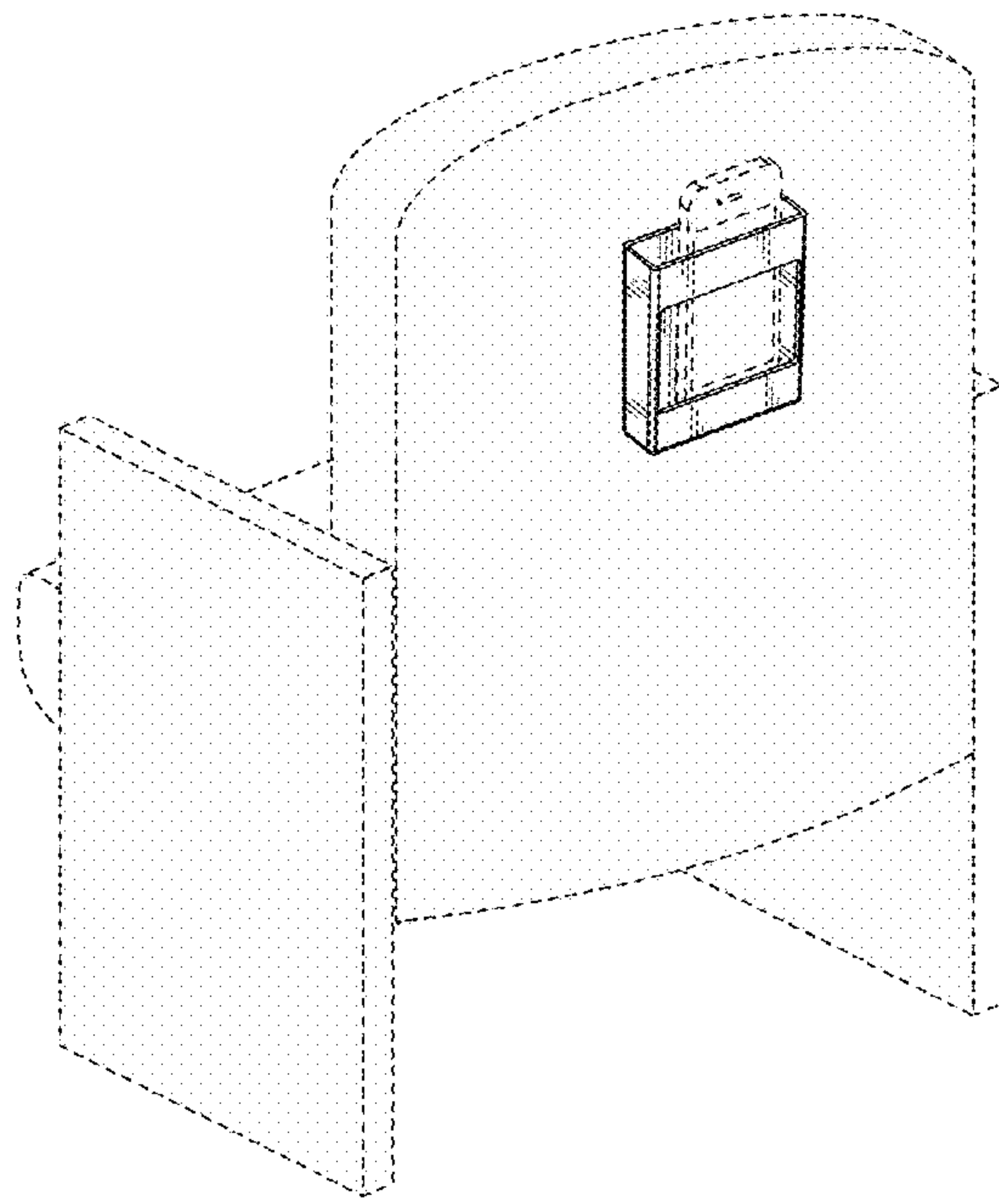


FIG. 9

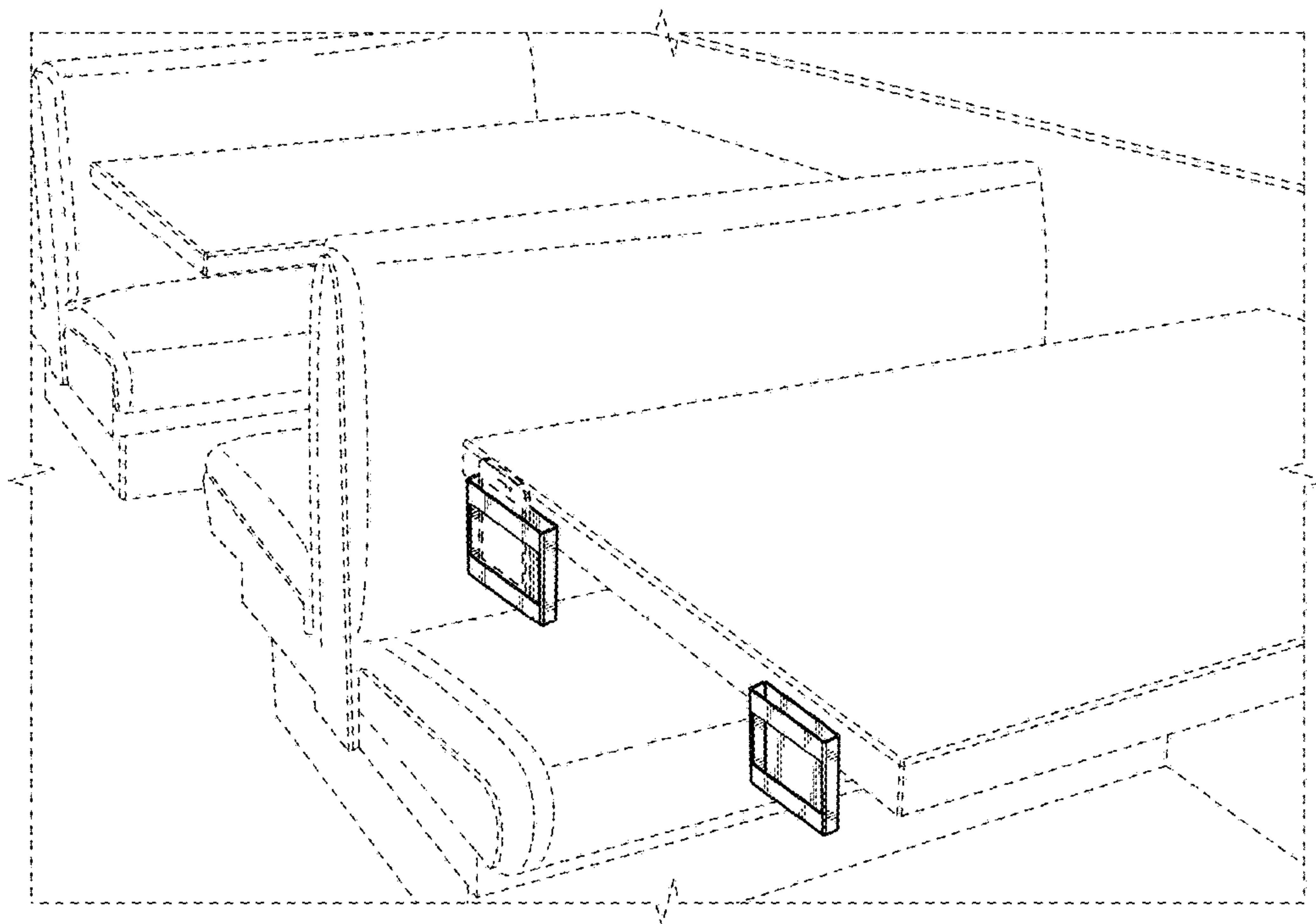


FIG. 10

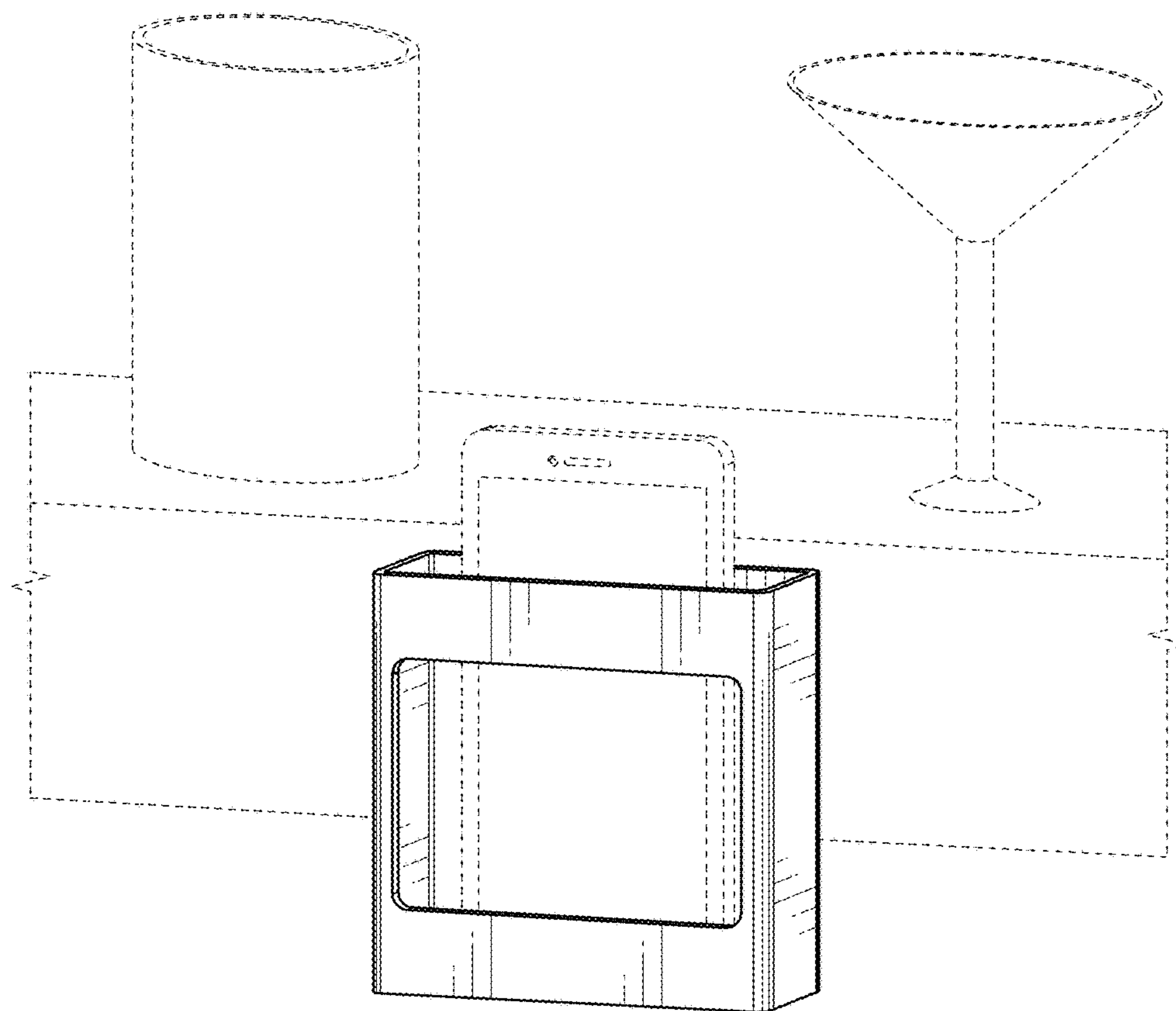


FIG. 11