



US00D838106S

(12) **United States Design Patent** (10) **Patent No.:** **US D838,106 S**  
**Joseph** (45) **Date of Patent:** **\*\* Jan. 15, 2019**

(54) **LUGGAGE**

(71) Applicant: **Rawle Eleazar Joseph**, Brooklyn, NY (US)

(72) Inventor: **Rawle Eleazar Joseph**, Brooklyn, NY (US)

(\*\*) Term: **15 Years**

(21) Appl. No.: **29/608,526**

(22) Filed: **Jun. 22, 2017**

(51) **LOC (11) Cl.** ..... **03-01**

(52) **U.S. Cl.**  
USPC ..... **D3/273**

(58) **Field of Classification Search**  
USPC ..... D3/273, 279, 285, 289, 318  
CPC .... A45C 5/00; A45C 5/14; A45C 7/00; A45C 2005/032; A45C 2005/035  
See application file for complete search history.

(56) **References Cited**

**U.S. PATENT DOCUMENTS**

5,099,968	A	3/1992	Kikuchi	
D427,768	S *	7/2000	Bogert	D3/279
D583,151	S *	12/2008	Chung	D3/279
8,020,678	B2	9/2011	Tsai et al.	
D727,621	S *	4/2015	Lai	D3/279
D779,823	S *	2/2017	Barenbrug	D3/279
D788,461	S *	6/2017	Tonelli	D3/279
D802,924	S *	11/2017	Mahanavanont	D3/279
D809,795	S *	2/2018	Law	D3/279
2006/0102672	A1	5/2006	Godshaw	

2008/0135366	A1	6/2008	Katz et al.
2008/0308369	A1	12/2008	Louis, Sr.
2009/0139814	A1	6/2009	Grossman et al.
2010/0059322	A1	3/2010	Reali
2013/0333996	A1	12/2013	Selvi

\* cited by examiner

*Primary Examiner* — Holly H Baynham  
(74) *Attorney, Agent, or Firm* — Glenn E. Gold, P.A.; Glenn E. Gold

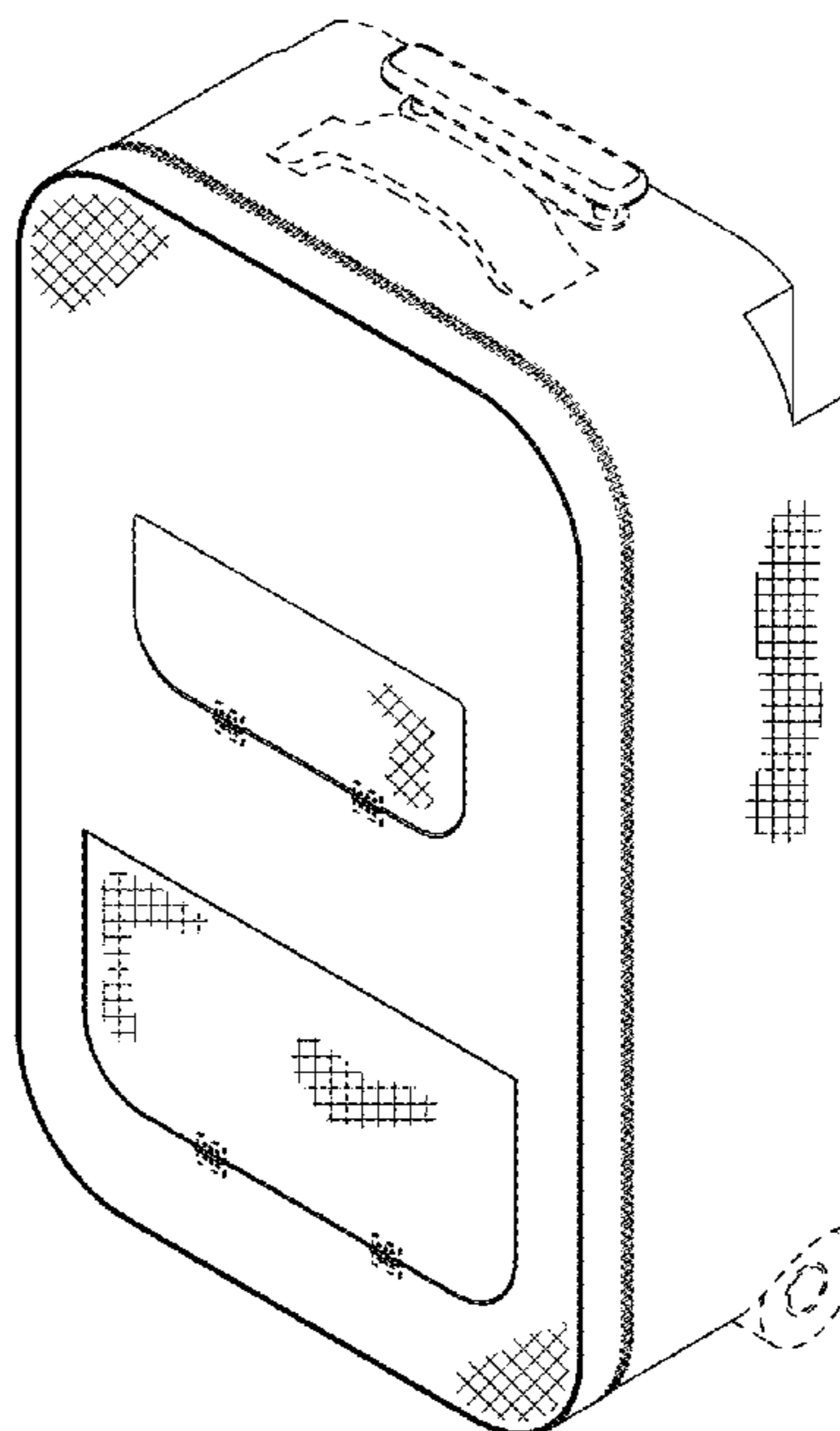
(57) **CLAIM**

I claim the ornamental design for a luggage, as shown and described.

**DESCRIPTION**

FIG. 1 is a top right perspective view of a luggage showing my new design;  
FIG. 2 is a front side elevation view thereof;  
FIG. 3 is a rear side elevation view thereof;  
FIG. 4 is a left side elevation view thereof;  
FIG. 5 is a right side elevation view thereof;  
FIG. 6 is a top plan view thereof;  
FIG. 7 is a bottom plan view thereof;  
FIG. 8 is a rear perspective view thereof;  
FIG. 9 is a right side elevation view thereof; and,  
FIG. 10 is a rear perspective view thereof.  
The broken lines showing structural portions of the luggage are included for the purpose of illustrating environment and form no part of the claimed design.

**1 Claim, 8 Drawing Sheets**



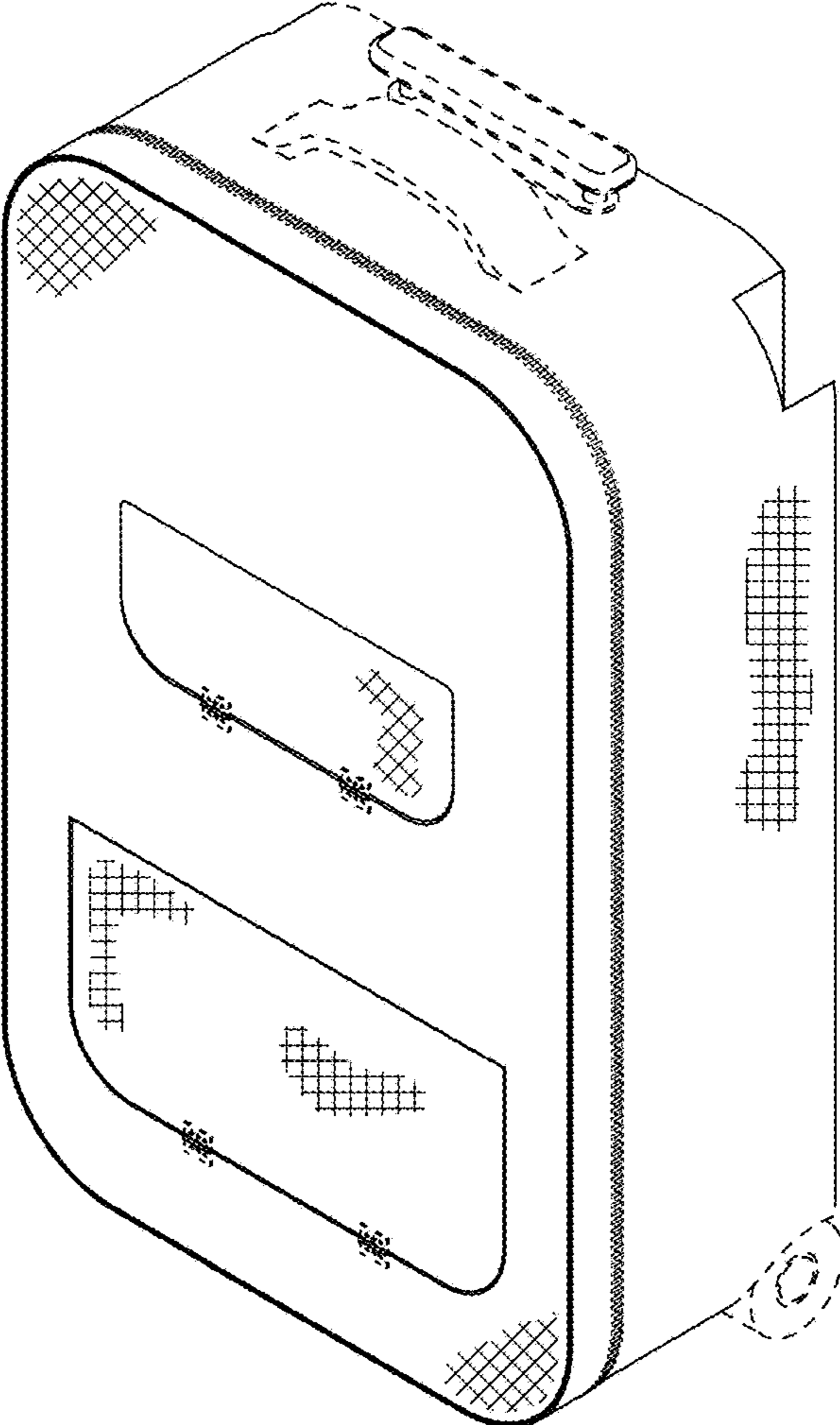


FIG. 1

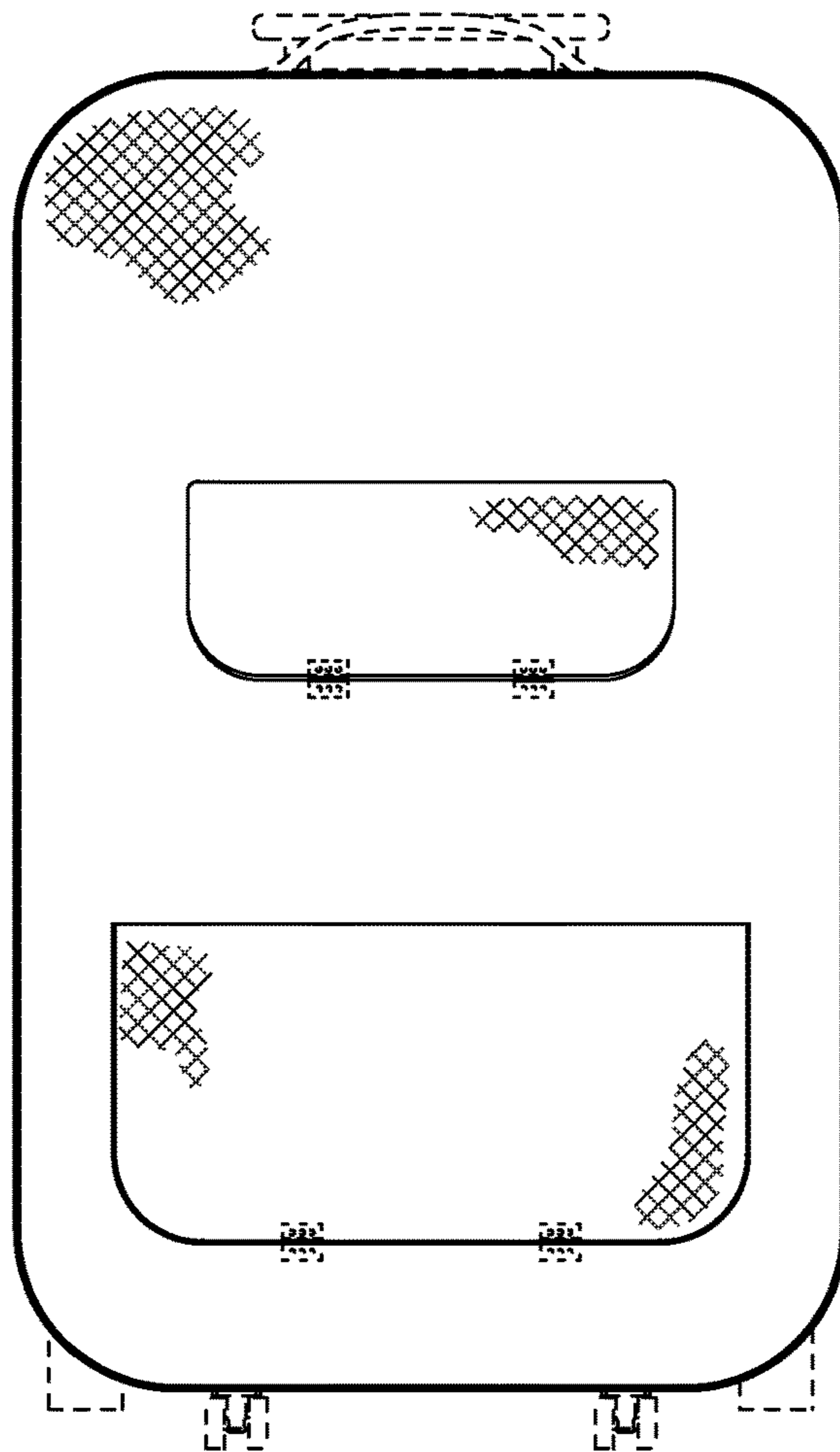


FIG. 2

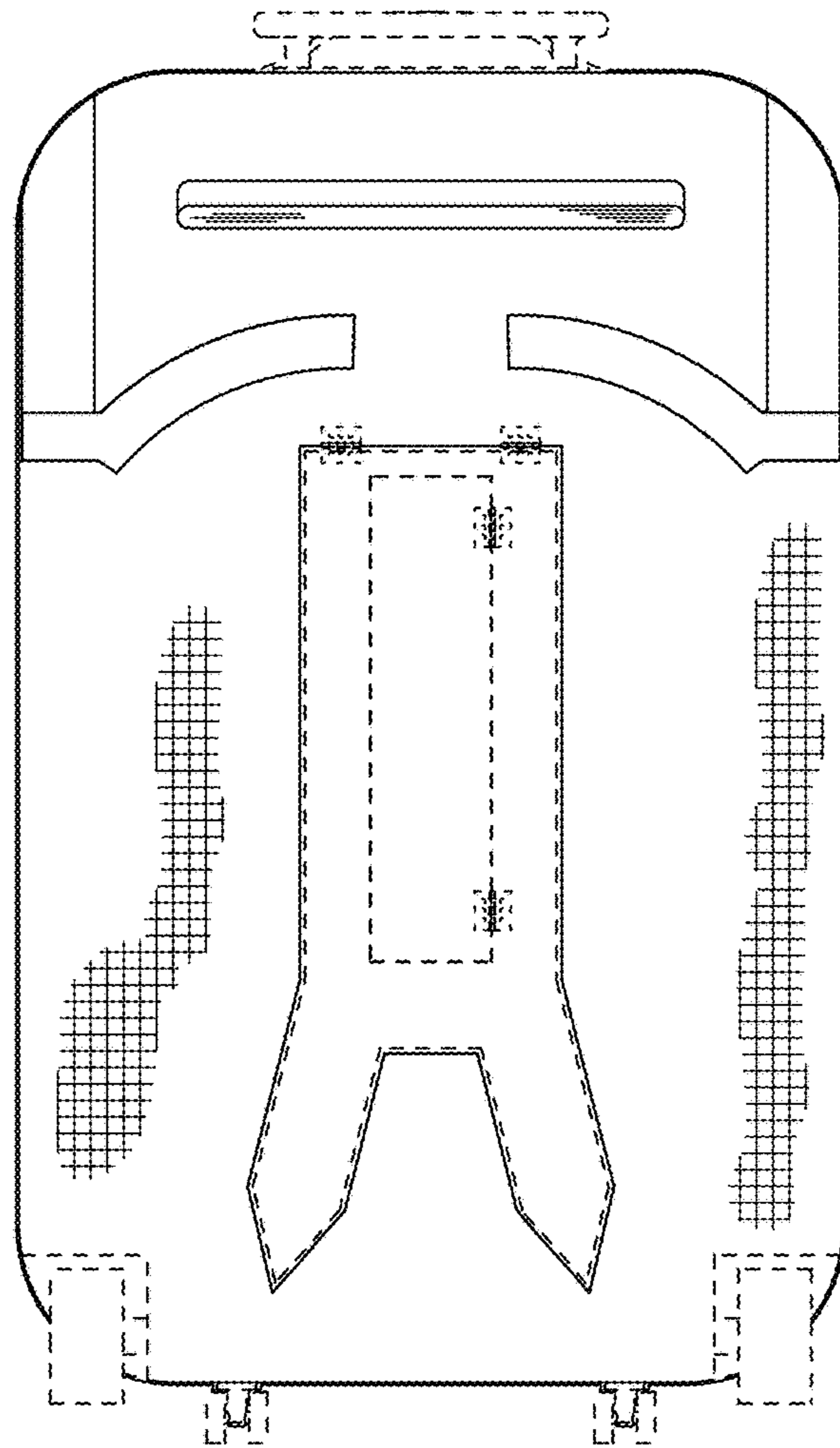


FIG. 3

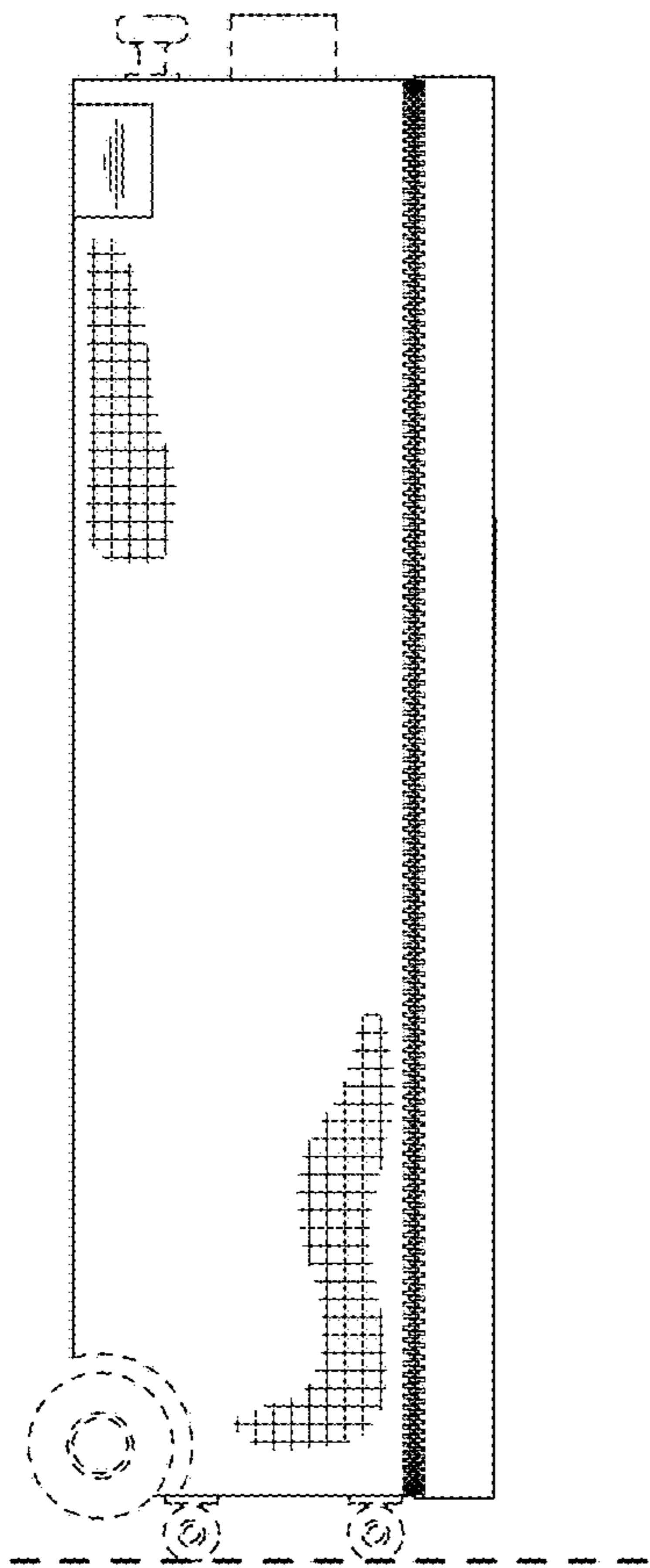


FIG. 4

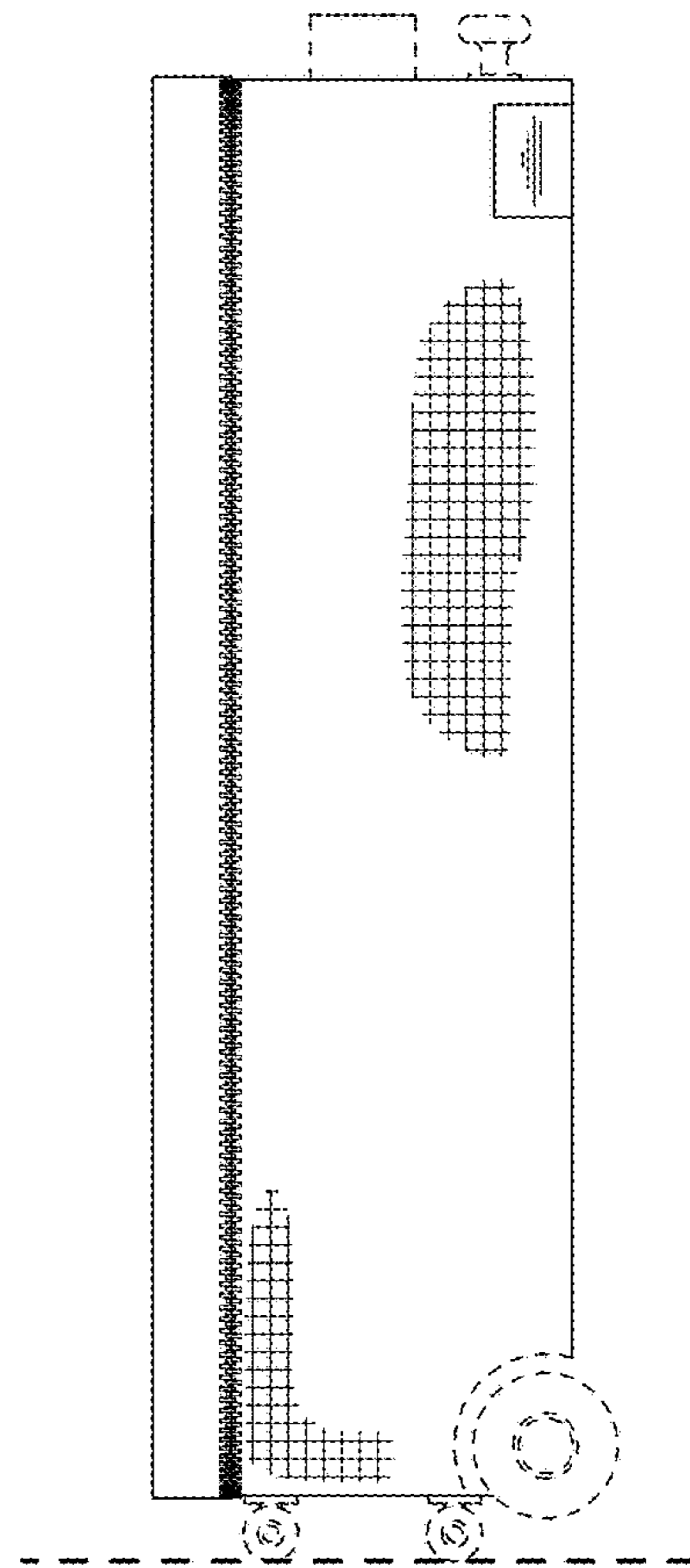


FIG. 5



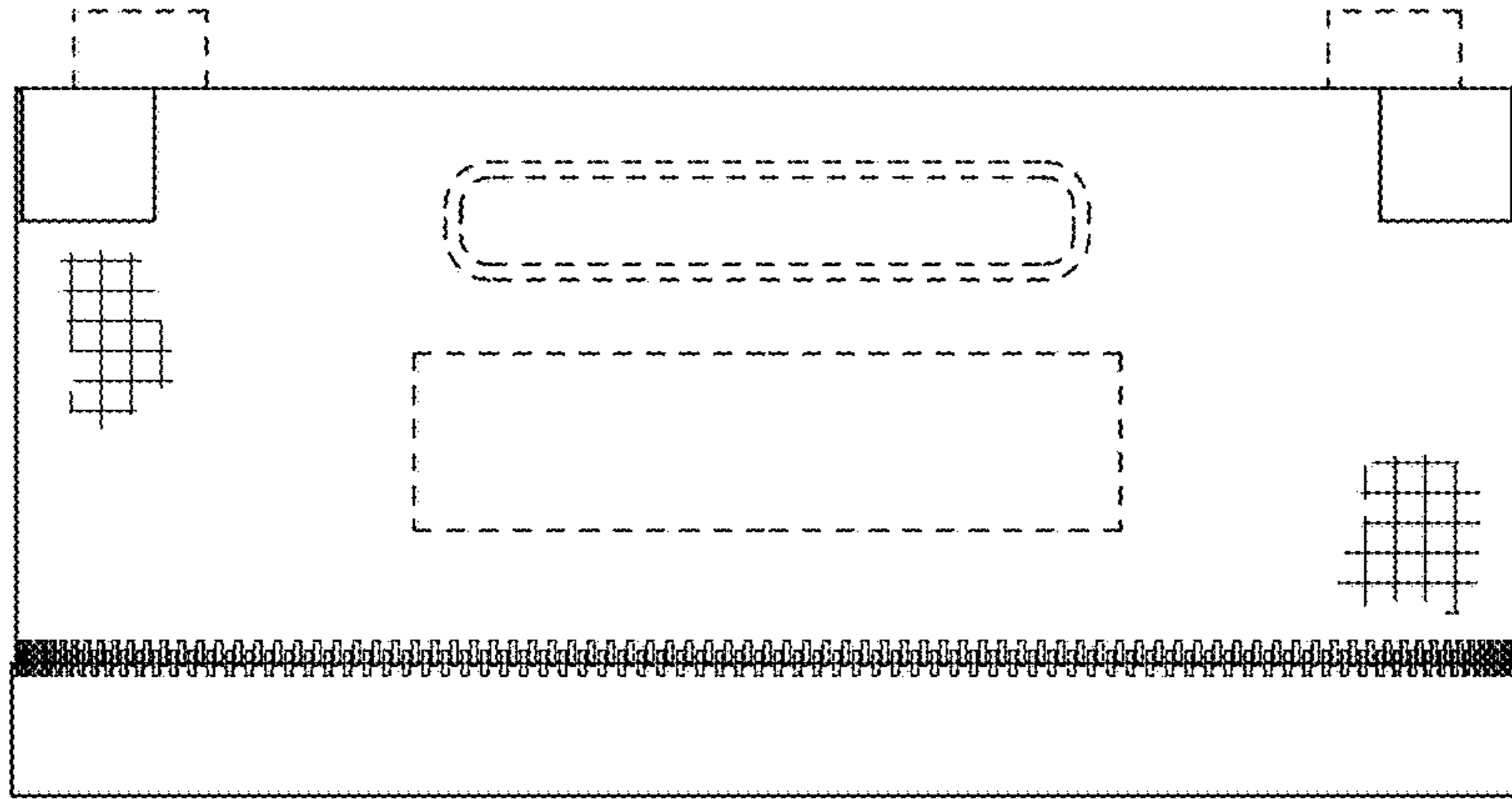


FIG. 6

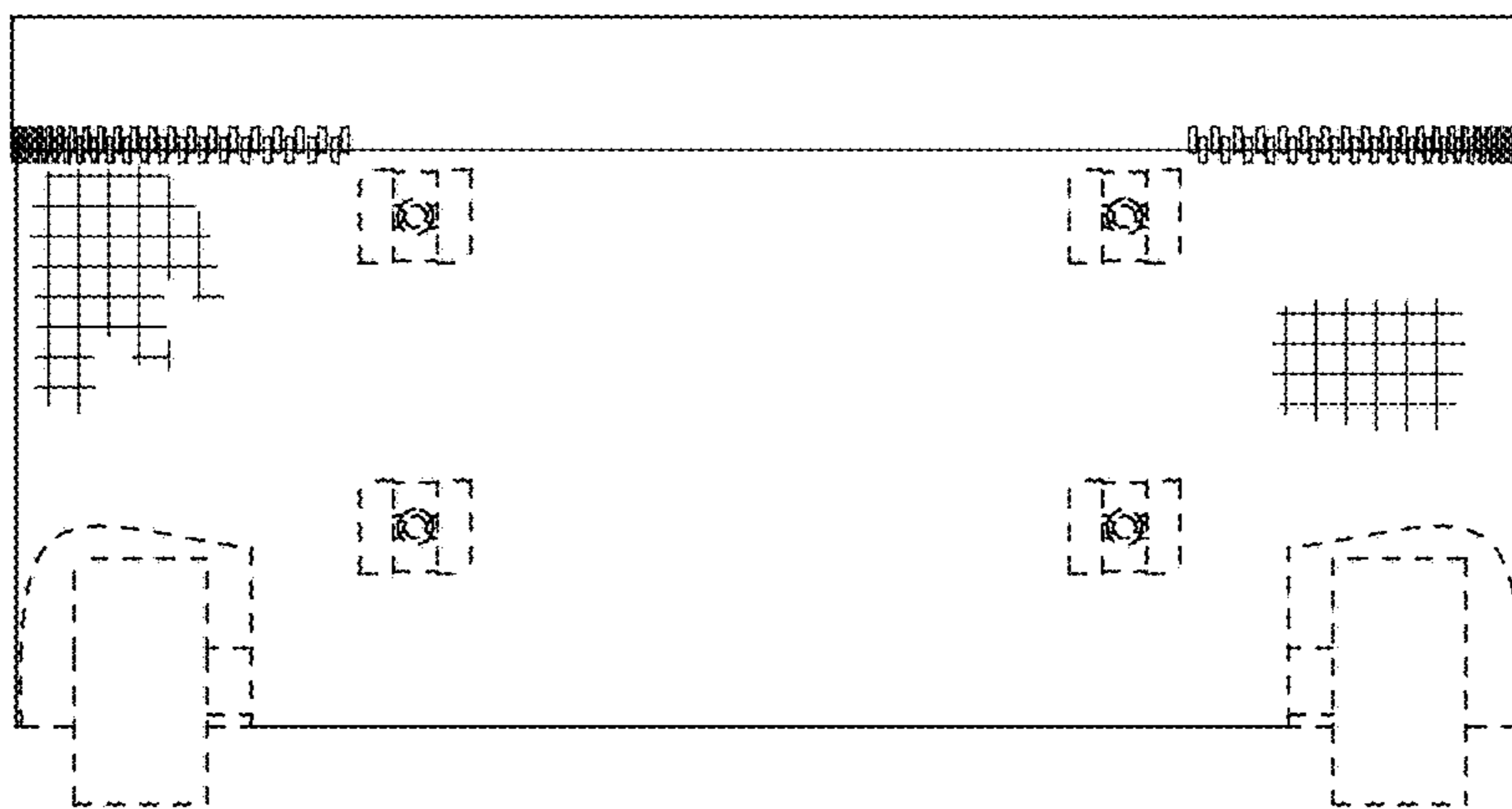


FIG. 7

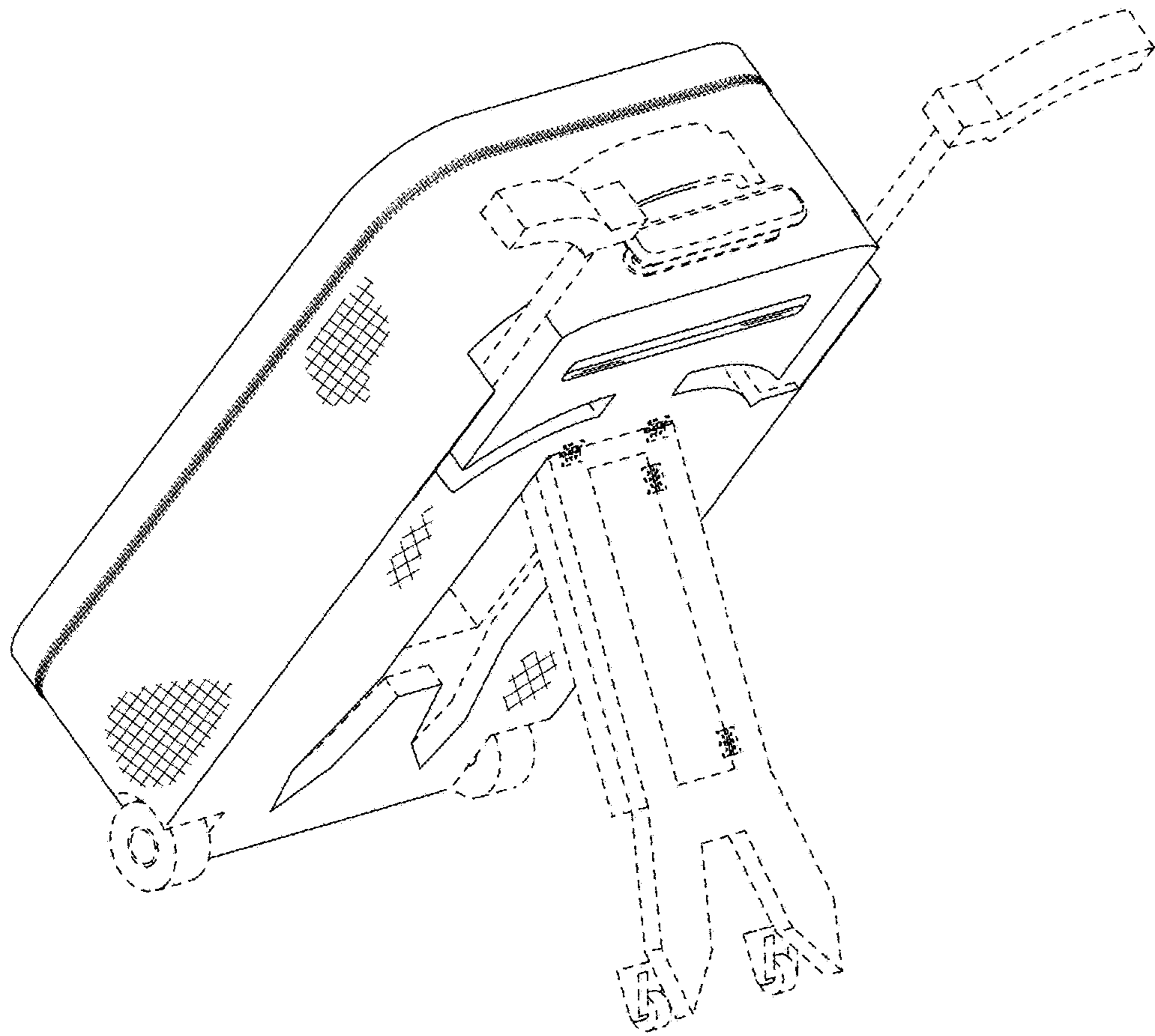


FIG. 8

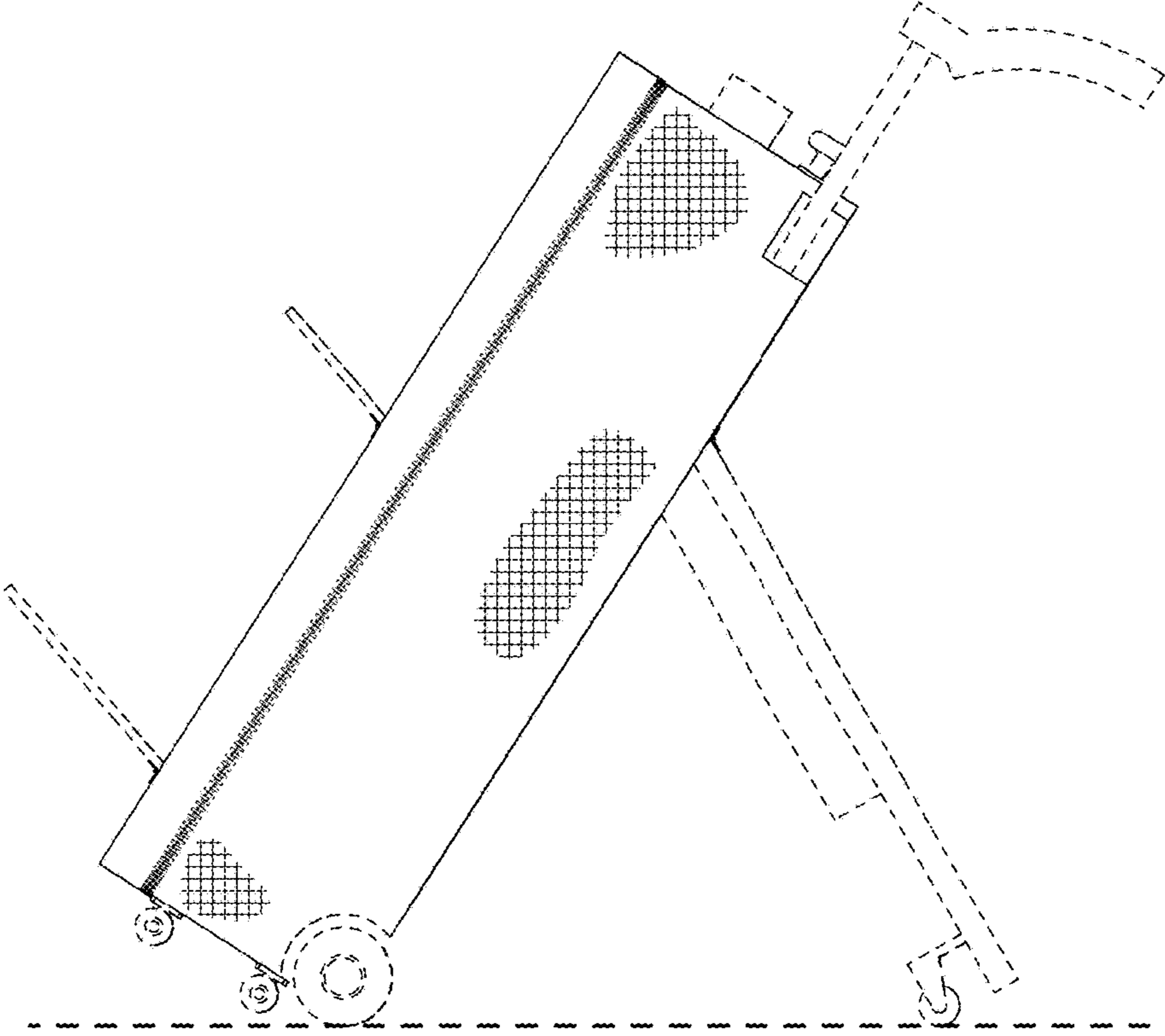


FIG. 9



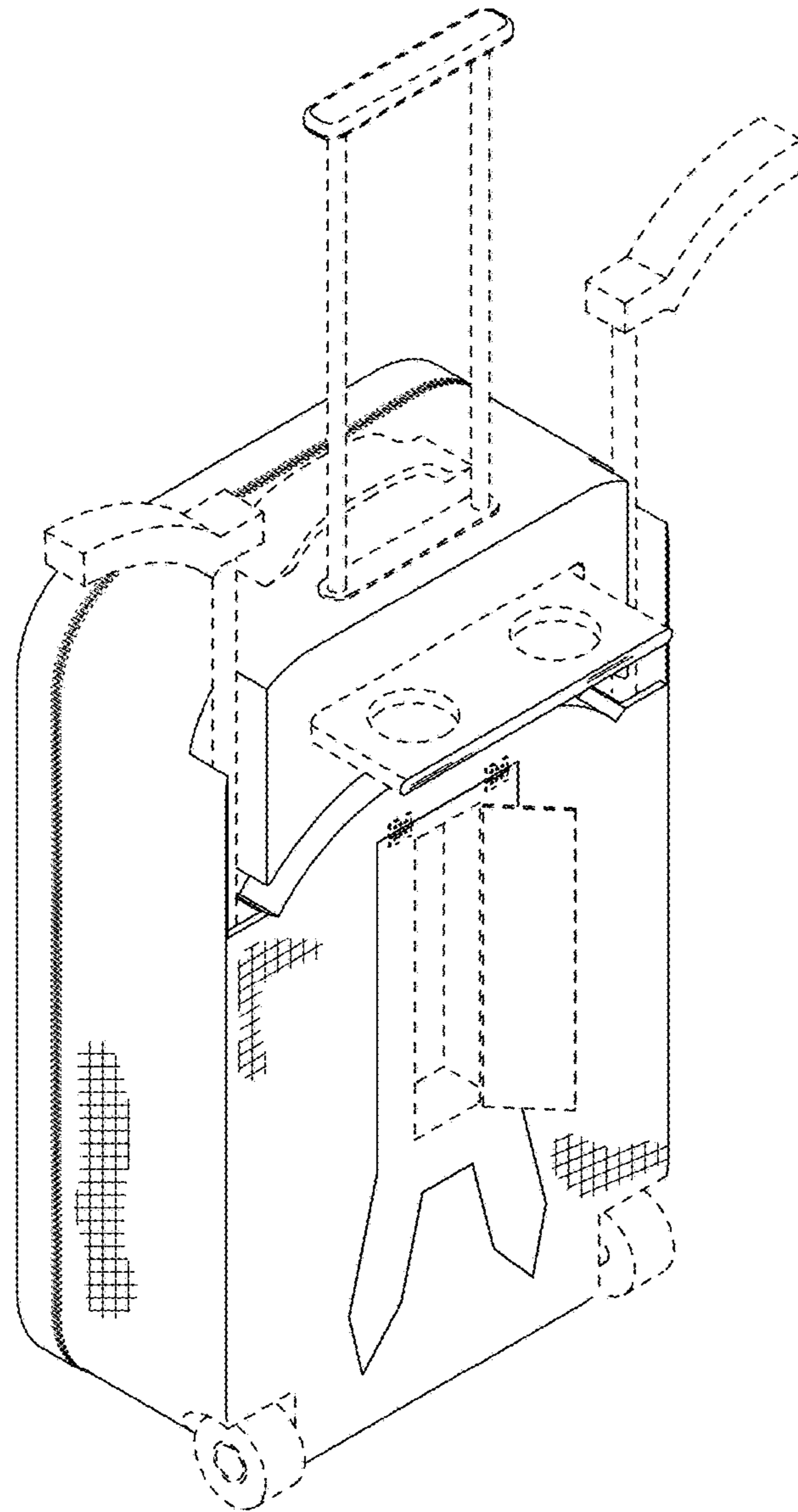


FIG. 10