



US00D838105S

(12) **United States Design Patent**
Montalto et al.

(10) **Patent No.:** **US D838,105 S**
(45) **Date of Patent:** **** Jan. 15, 2019**

(54) **SLING BAG**

D184,689 S * 3/1959 Schoenfeld D3/232
D425,698 S * 5/2000 Paul D3/216
D431,903 S * 10/2000 Worley D3/232

(71) Applicant: **THERMOS L.L.C.**, Schaumburg, IL
(US)

* cited by examiner

(72) Inventors: **Alyssa Montalto**, Oak Park, IL (US);
Lisa McQueeny, Huntley, IL (US);
Jessica Jabcon, Barrington, IL (US);
Dwayne Boroski, Lake in the Hills, IL
(US)

Primary Examiner — Holly H Baynham
(74) *Attorney, Agent, or Firm* — Polsinelli PC

(73) Assignee: **THERMOS L.L.C.**, Schaumburg, IL
(US)

(57) **CLAIM**

The ornamental design for a sling bag, as shown and described.

(**) Term: **15 Years**

DESCRIPTION

(21) Appl. No.: **29/598,272**

FIG. 1 is a perspective view of a first embodiment of the sling bag;

(22) Filed: **Mar. 24, 2017**

FIG. 2 is a front view of the first embodiment of the sling bag;

(51) **LOC (11) Cl.** **03-01**

FIG. 3 is a rear view of the first embodiment of the sling bag;

(52) **U.S. Cl.**
USPC **D3/244**

FIG. 4 is a right side view of the first embodiment of the sling bag;

(58) **Field of Classification Search**
USPC D3/232–233, 240–246
CPC A45C 1/024; A45C 3/06
See application file for complete search history.

FIG. 5 is a left side view of the first embodiment of the sling bag;

FIG. 6 is a top view of the first embodiment of the sling bag; and,

FIG. 7 is a bottom view of the sling bag.

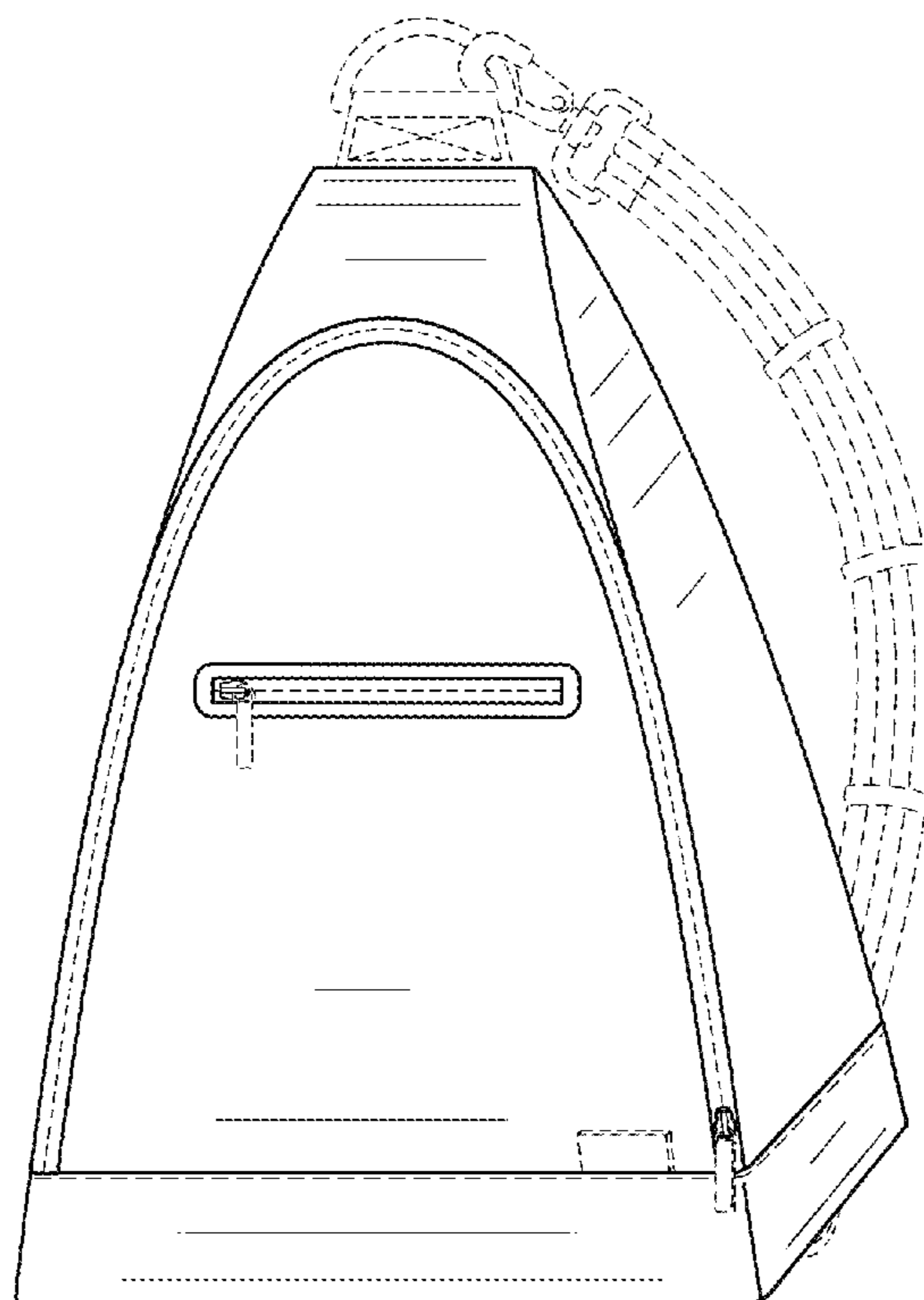
The broken lines showing in the figures are included for the purpose of illustrating portions of the sling bag that form no part of the claimed design. The dash-dot lines showing in the figures are included for defining the bounds of the claimed design that form no part thereof.

(56) **References Cited**

U.S. PATENT DOCUMENTS

D135,530 S * 4/1943 Rubin D3/232
D170,080 S * 7/1953 Codish D3/232

1 Claim, 4 Drawing Sheets



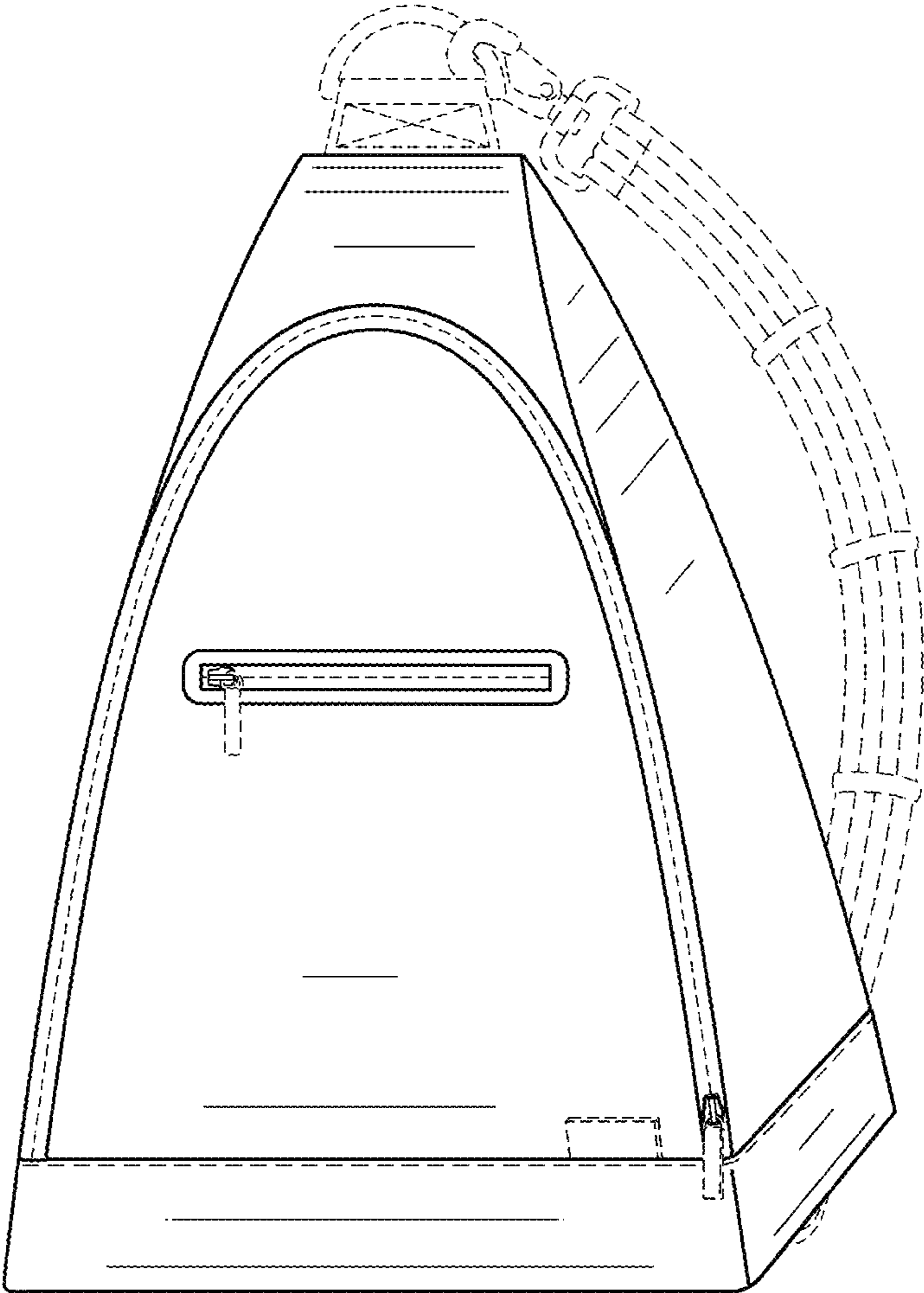


FIG. 1

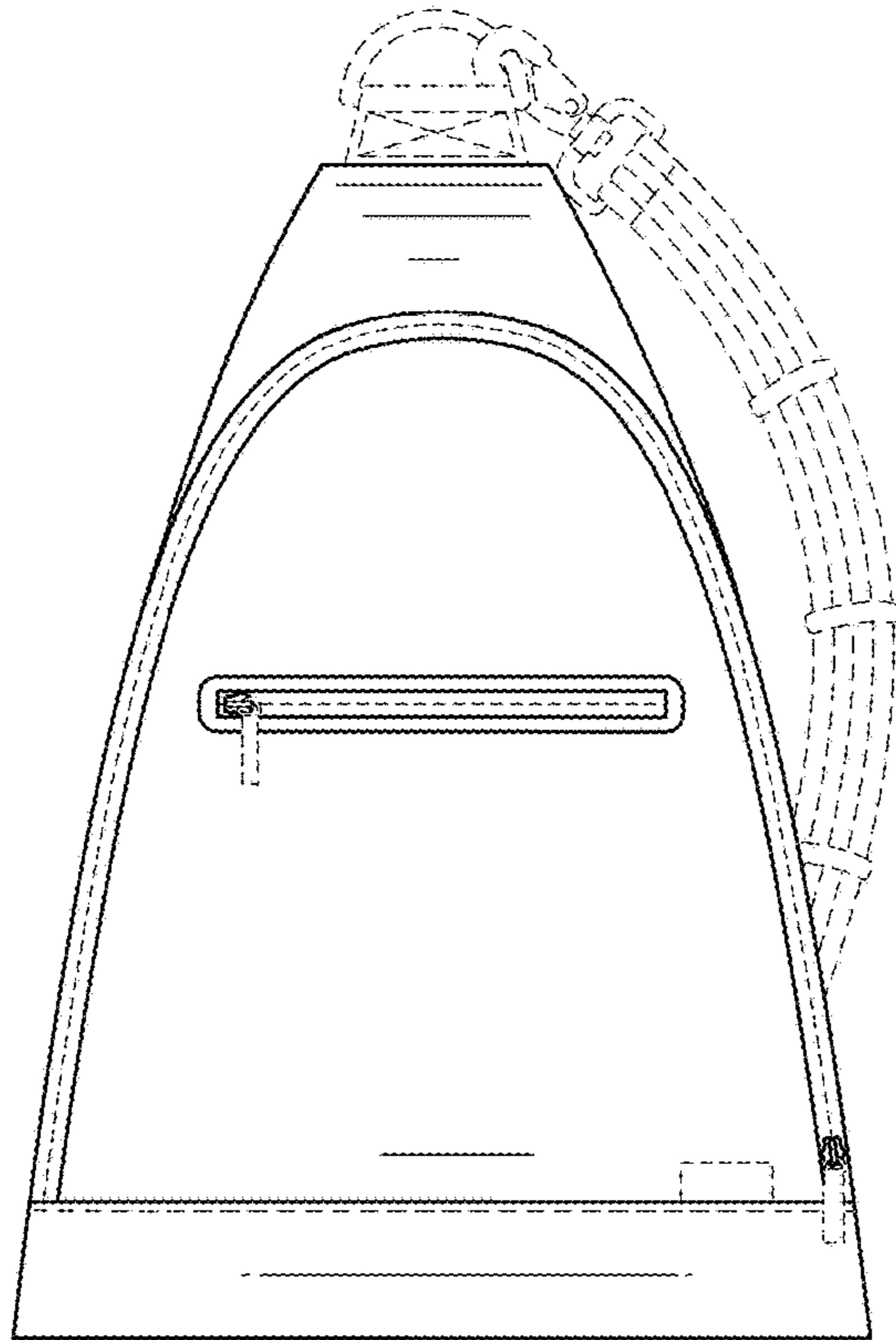


FIG. 2

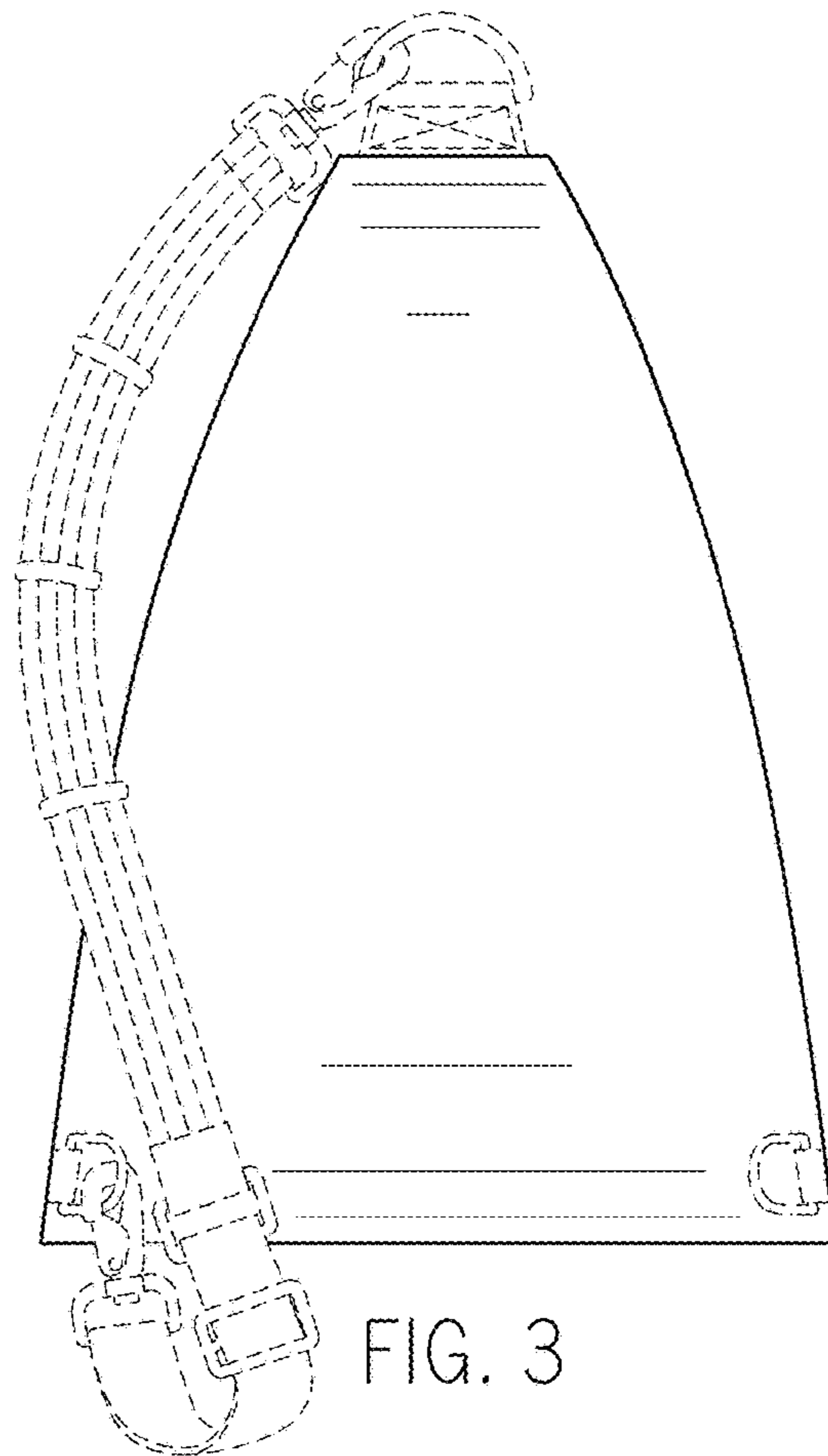
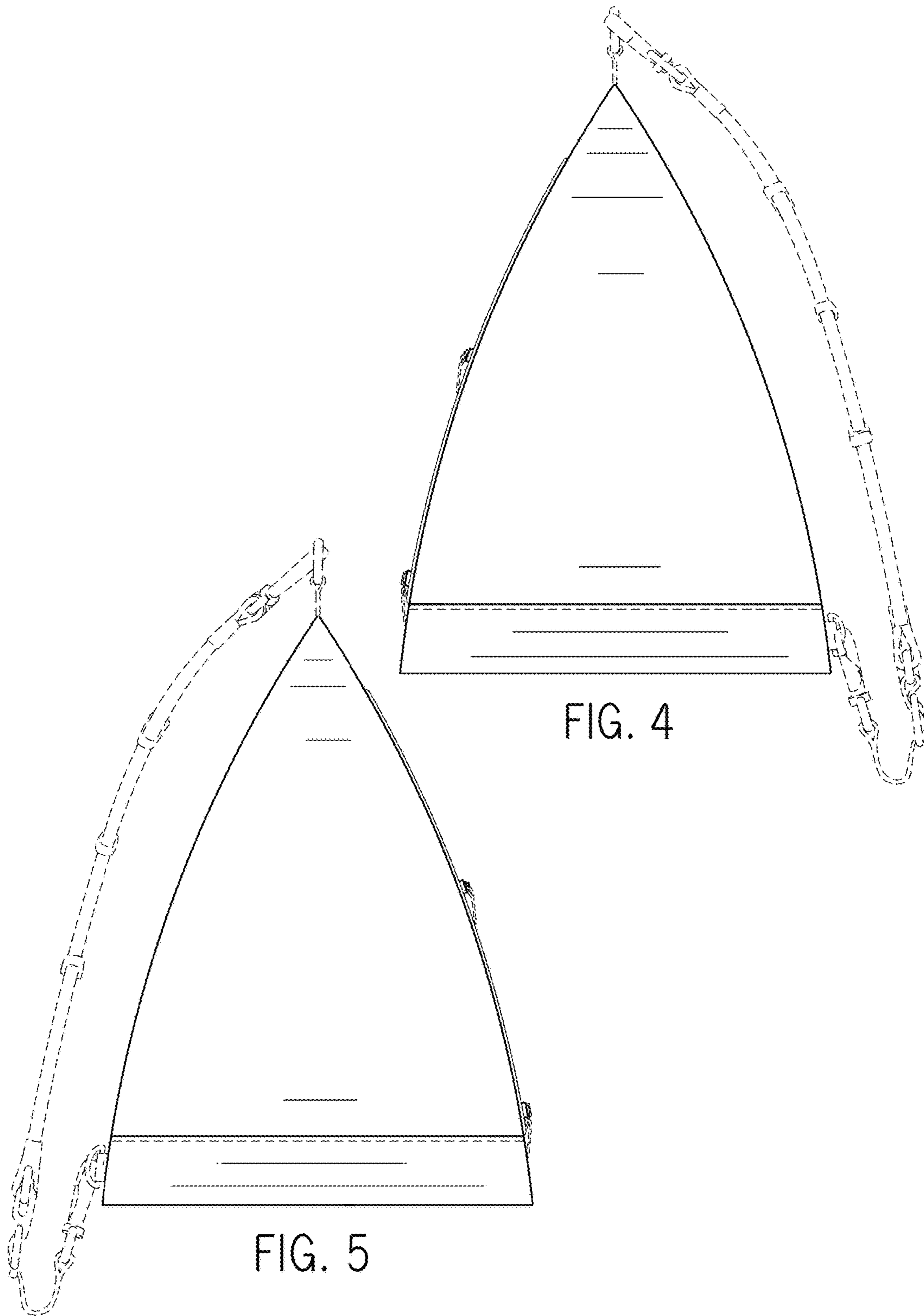


FIG. 3



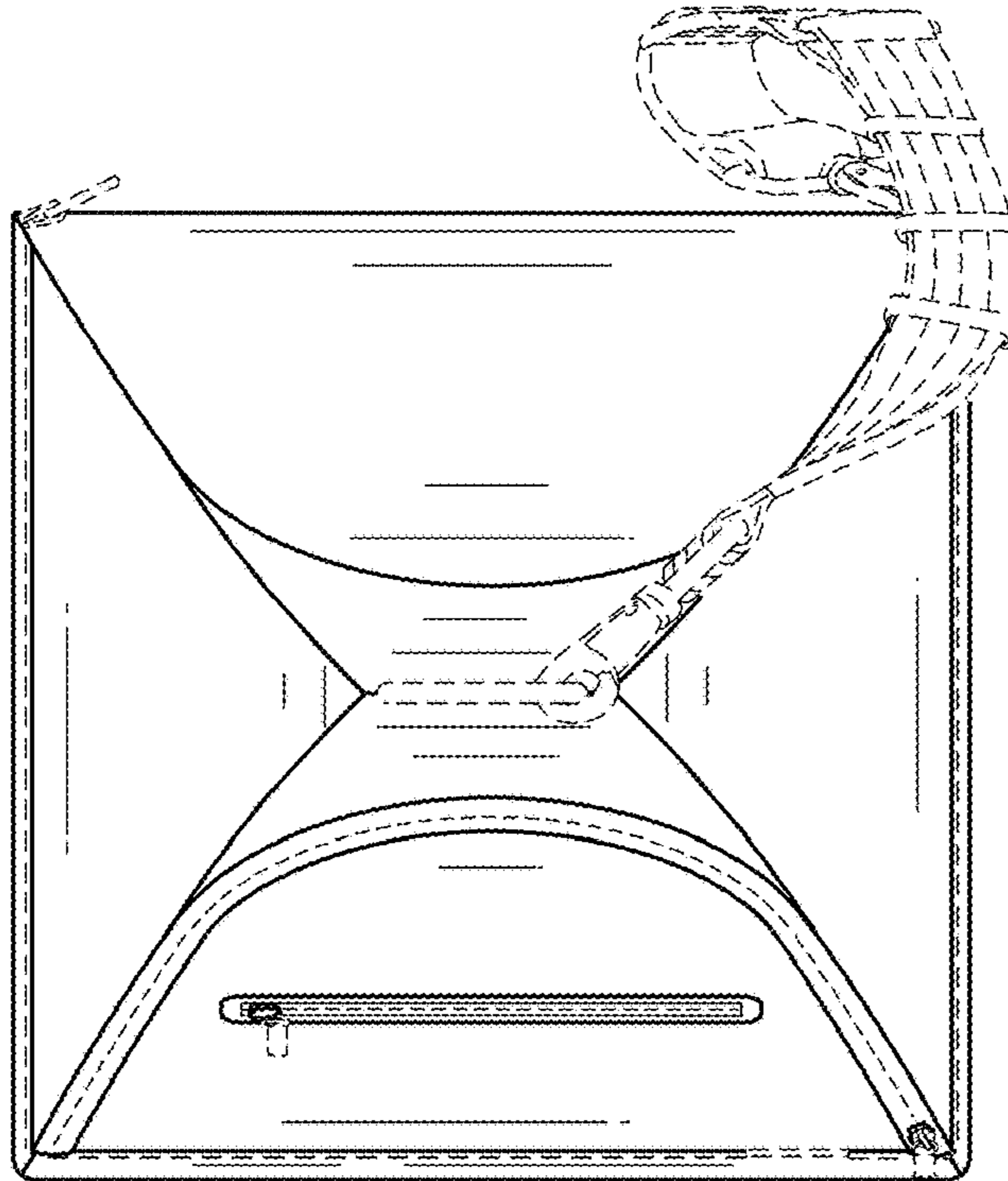


FIG. 6

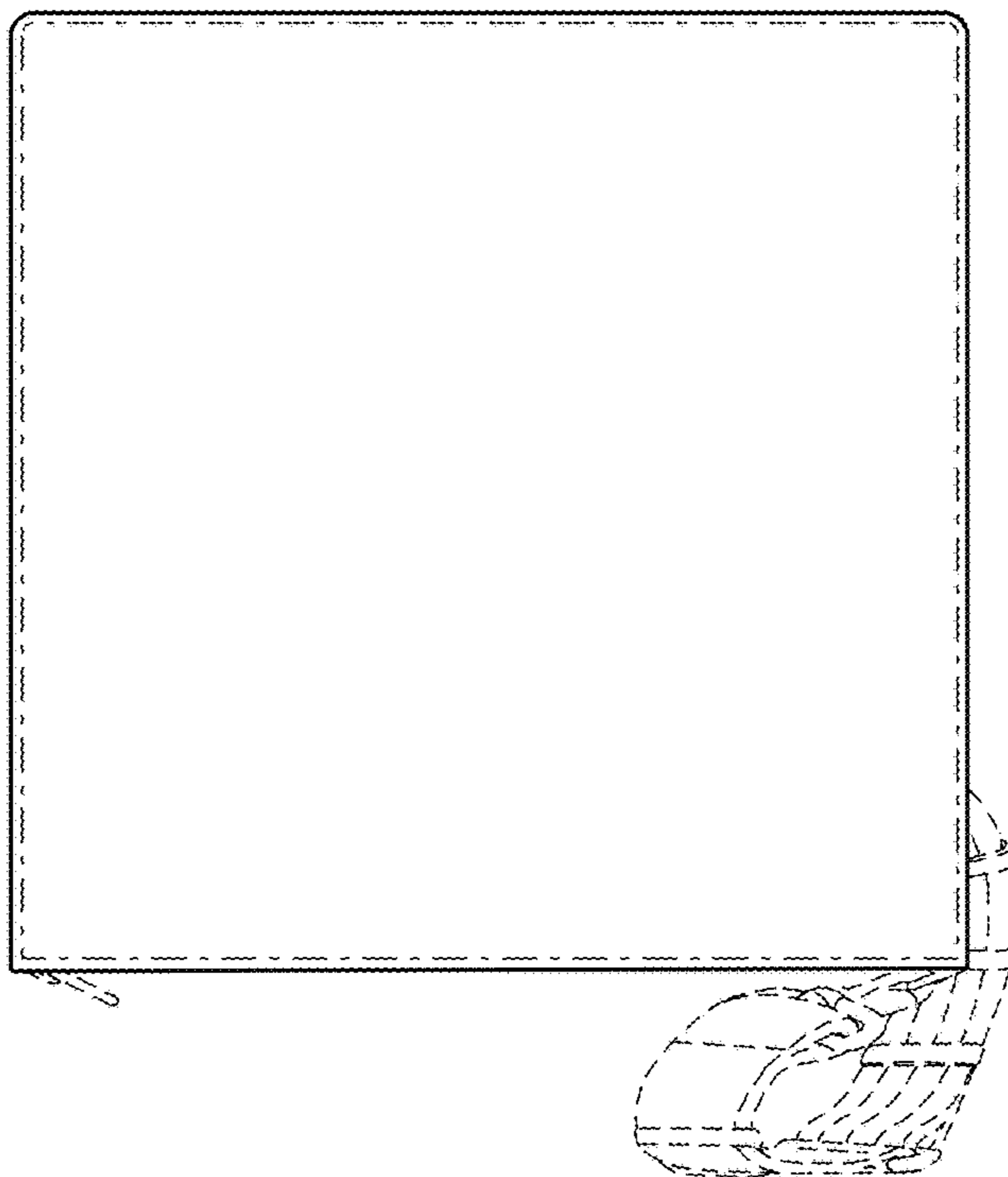


FIG. 7