



US00D838104S

(12) **United States Design Patent** (10) **Patent No.:** **US D838,104 S**  
**Nair** (45) **Date of Patent:** **\*\* Jan. 15, 2019**

- (54) **HANDBAG**
- (71) Applicant: **MOYNAT PARIS SAS**, Paris (FR)
- (72) Inventor: **Ramesh Nair**, Paris (FR)
- (73) Assignee: **MOYNAT PARIS SAS**, Paris (FR)
- (\*\*) Term: **15 Years**
- (21) Appl. No.: **29/616,491**
- (22) Filed: **Sep. 6, 2017**

D794,326 S \* 8/2017 Nair ..... D3/243  
\* cited by examiner

*Primary Examiner* — Holly H Baynham  
(74) *Attorney, Agent, or Firm* — Avery N. Goldstein;  
Blue Filament Law, PLLC

(57) **CLAIM**

The ornamental design for a handbag, as shown and described.

**DESCRIPTION**

FIG. 1 is a first perspective view of a handbag showing my new design;  
 FIG. 2 is a second perspective view thereof, where the strap is not shown for visual clarity;  
 FIG. 3 is a front view thereof, where the strap is not shown for visual clarity;  
 FIG. 4 is back view thereof, where the strap is not shown for visual clarity;  
 FIG. 5 is right side view thereof, where the strap is not shown for visual clarity;  
 FIG. 6 is a left side view thereof, where the strap is not shown for visual clarity;  
 FIG. 7 is a top view thereof, where the strap is not shown for visual clarity;  
 FIG. 8 is a bottom view thereof;  
 FIG. 9 is a front view thereof;  
 FIG. 10 is a front view thereof;  
 FIG. 11 is a top view thereof;  
 FIG. 12 is a left side view thereof; and,  
 FIG. 13 is a right side view thereof.  
 Dashed lines associated with the edges of the handbag denote stitching and are part of the claimed design.

**Related U.S. Application Data**

- (63) Continuation-in-part of application No. 29/565,036, filed on May 17, 2016, now Pat. No. Des. 800,449.

(30) **Foreign Application Priority Data**

Mar. 16, 2016 (EM) ..... 003031442-0001

- (51) **LOC (11) Cl.** ..... **03-01**

- (52) **U.S. Cl.**  
USPC ..... **D3/243**

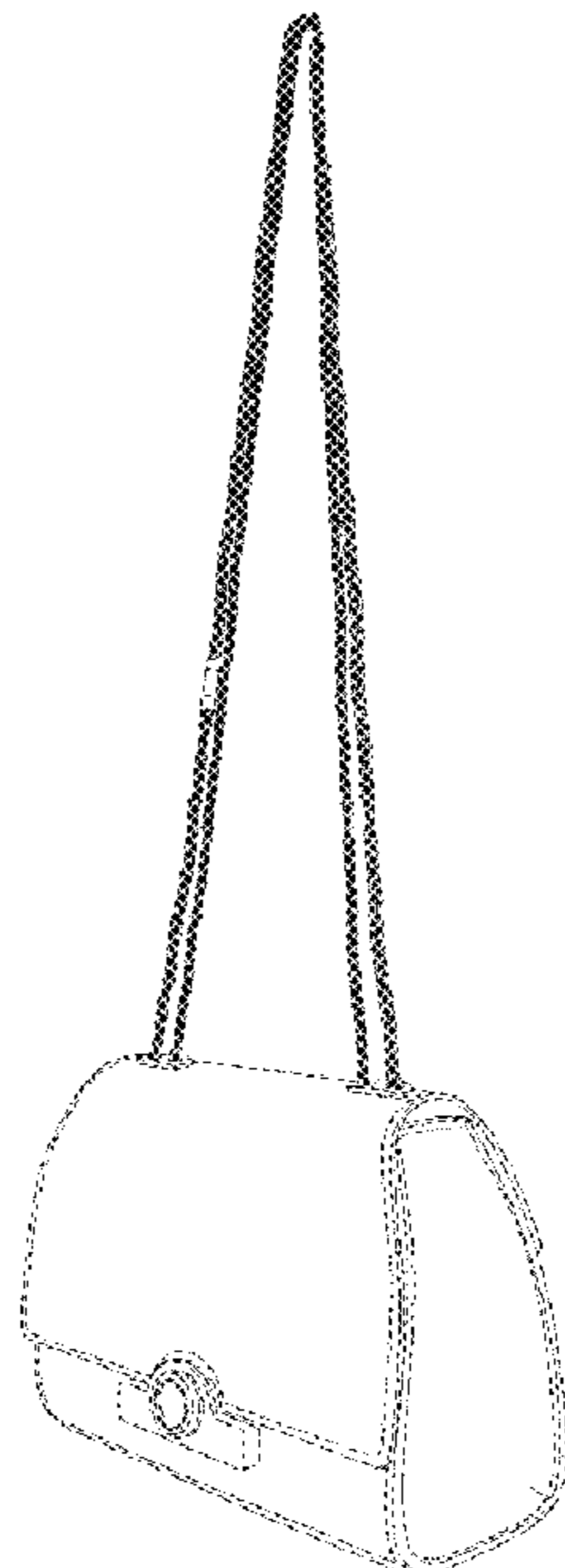
- (58) **Field of Classification Search**  
USPC ..... D3/232–233, 240–243, 245–246  
CPC ..... A45C 1/024; A45C 3/06  
See application file for complete search history.

(56) **References Cited**

**U.S. PATENT DOCUMENTS**

- D689,691 S 9/2013 Kuster et al.
- D723,270 S 3/2015 Basha
- D726,410 S 4/2015 Fusi
- D761,015 S \* 7/2016 Nair ..... D3/243
- D780,448 S \* 3/2017 Nair ..... D3/243
- D787,820 S \* 5/2017 Nair ..... D3/243

**1 Claim, 13 Drawing Sheets**



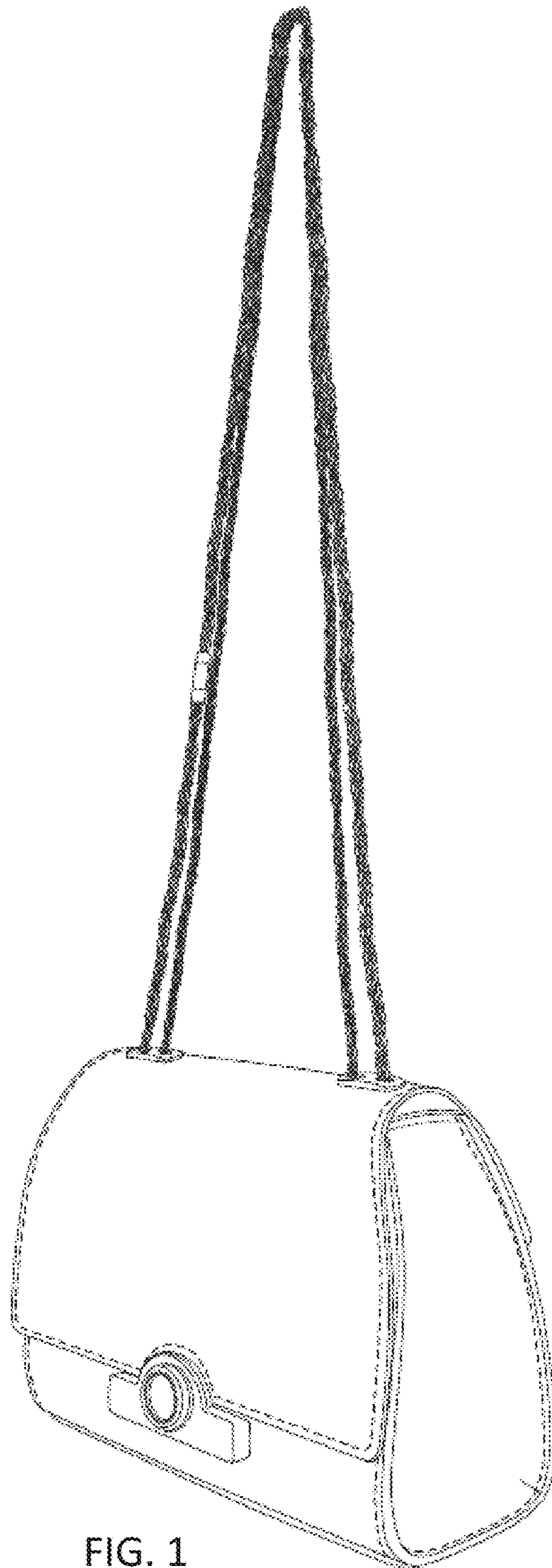


FIG. 1

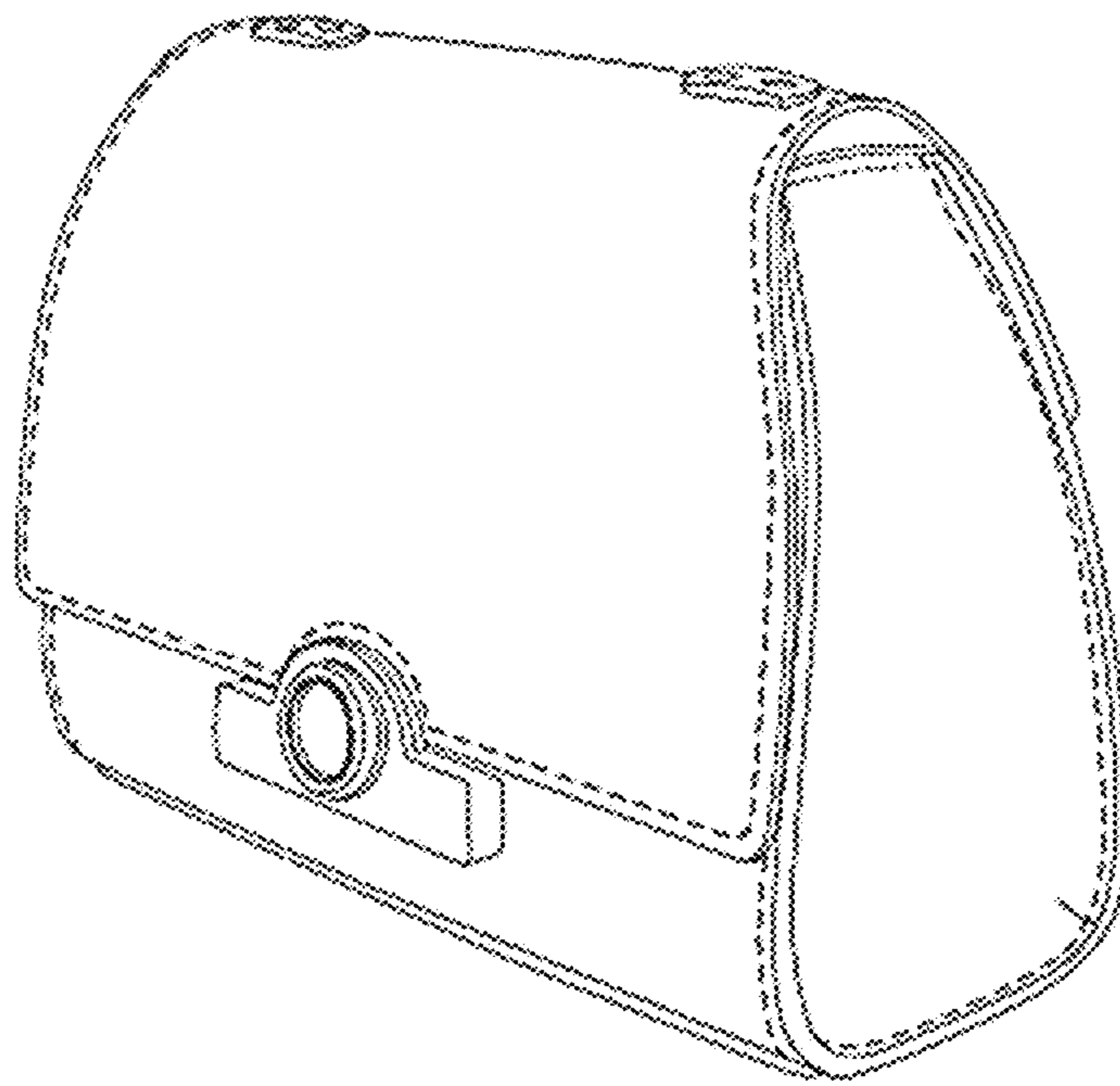


FIG. 2

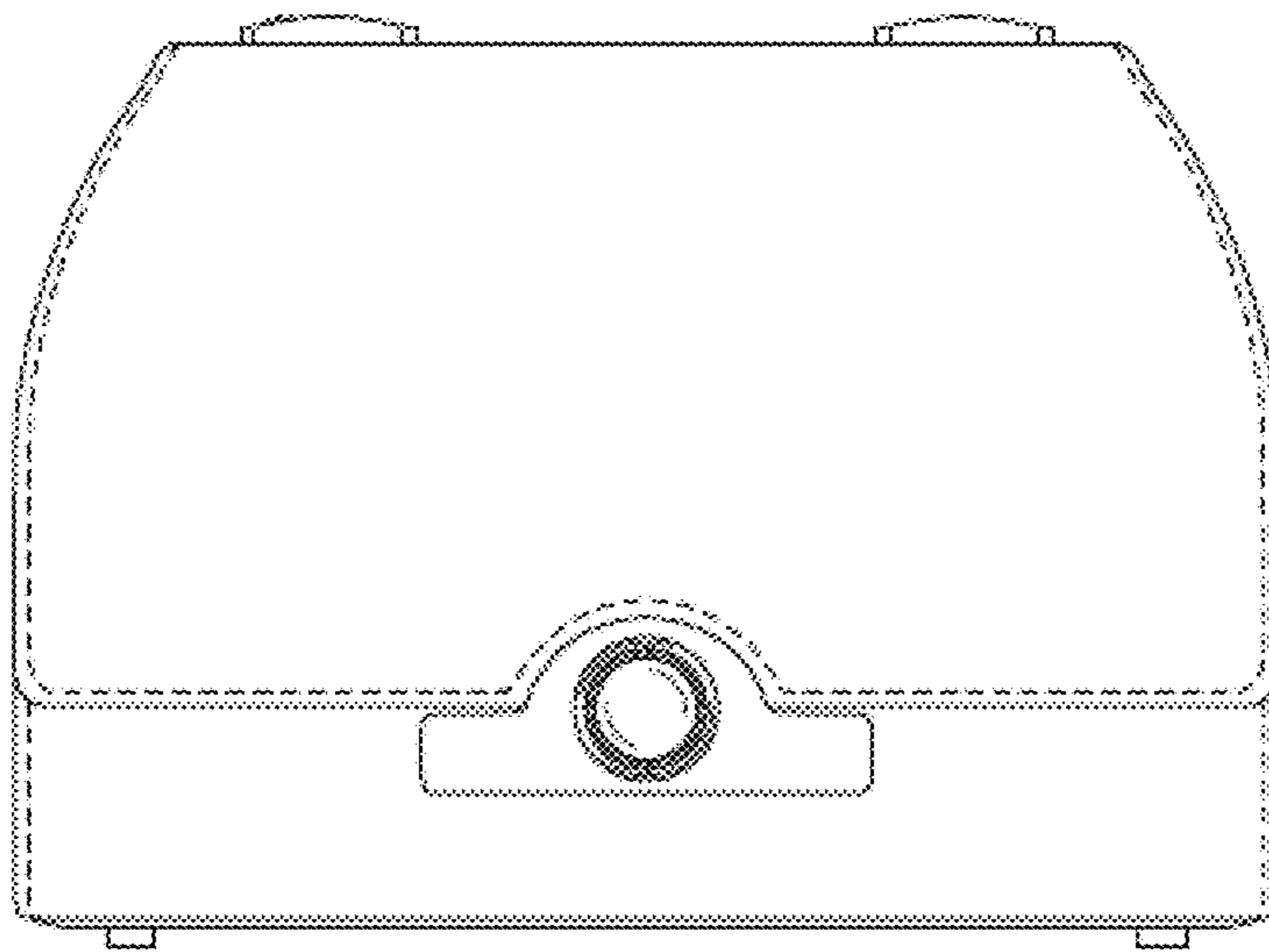


FIG. 3

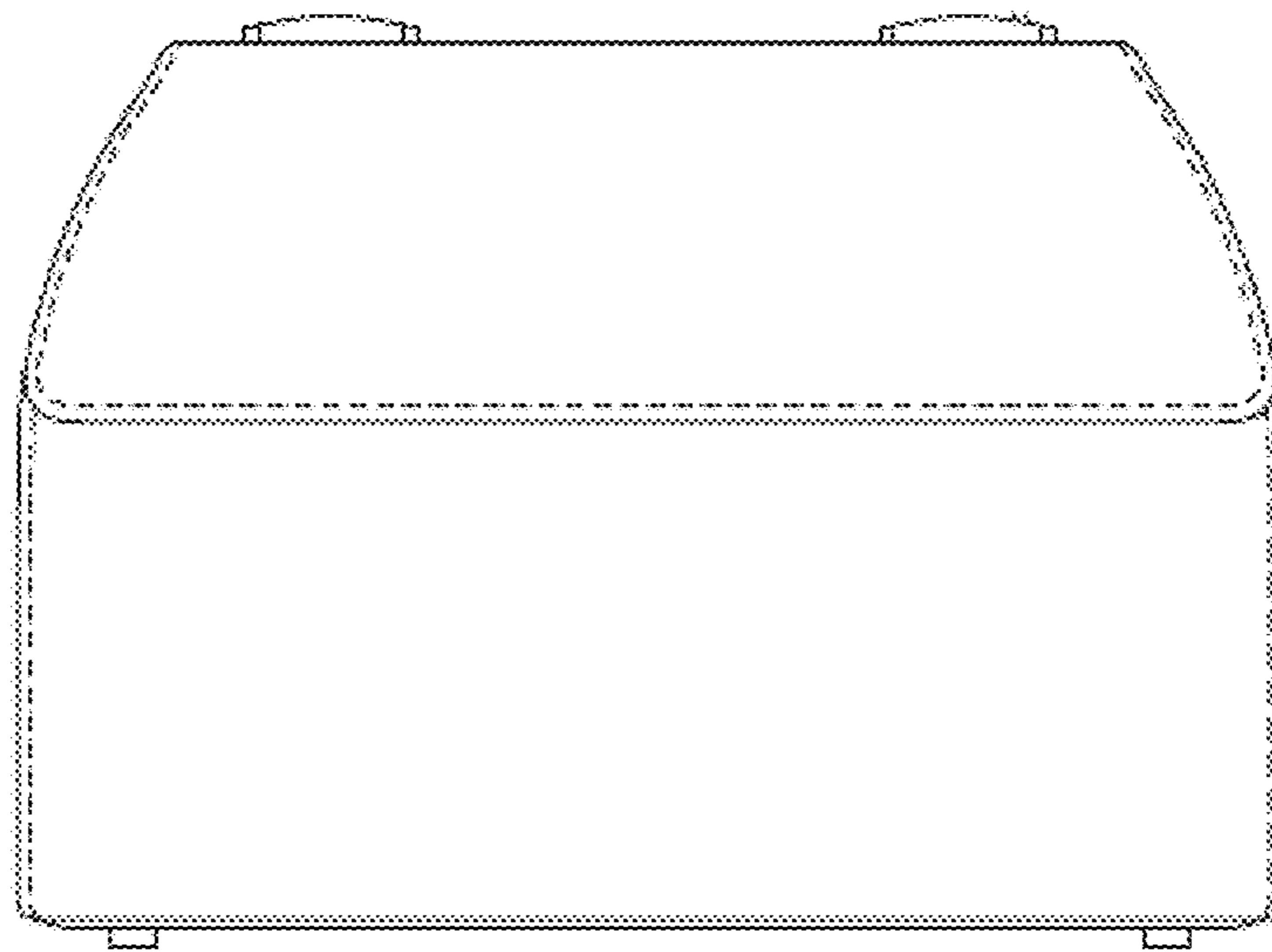


FIG. 4

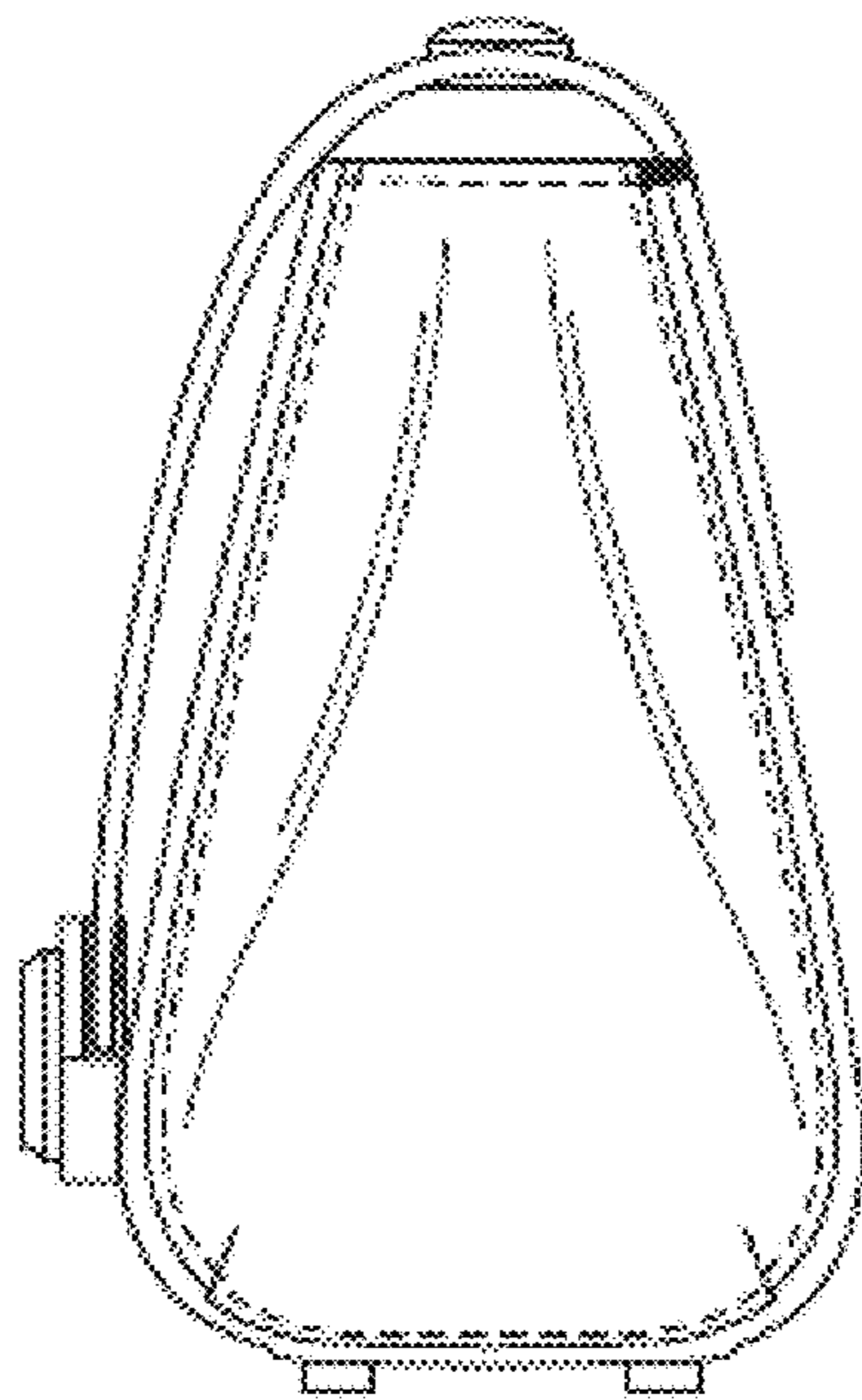


FIG. 5



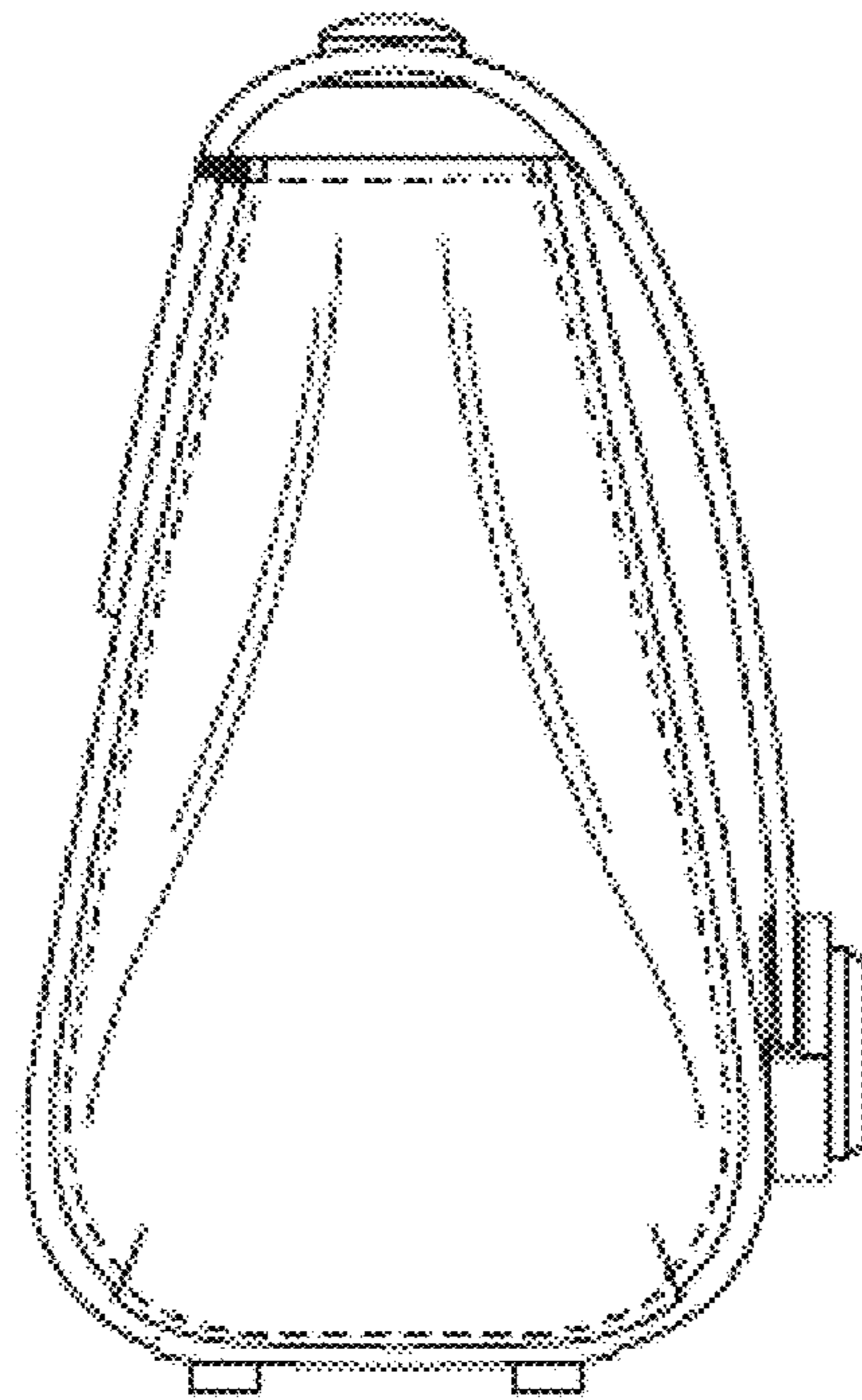


FIG. 6

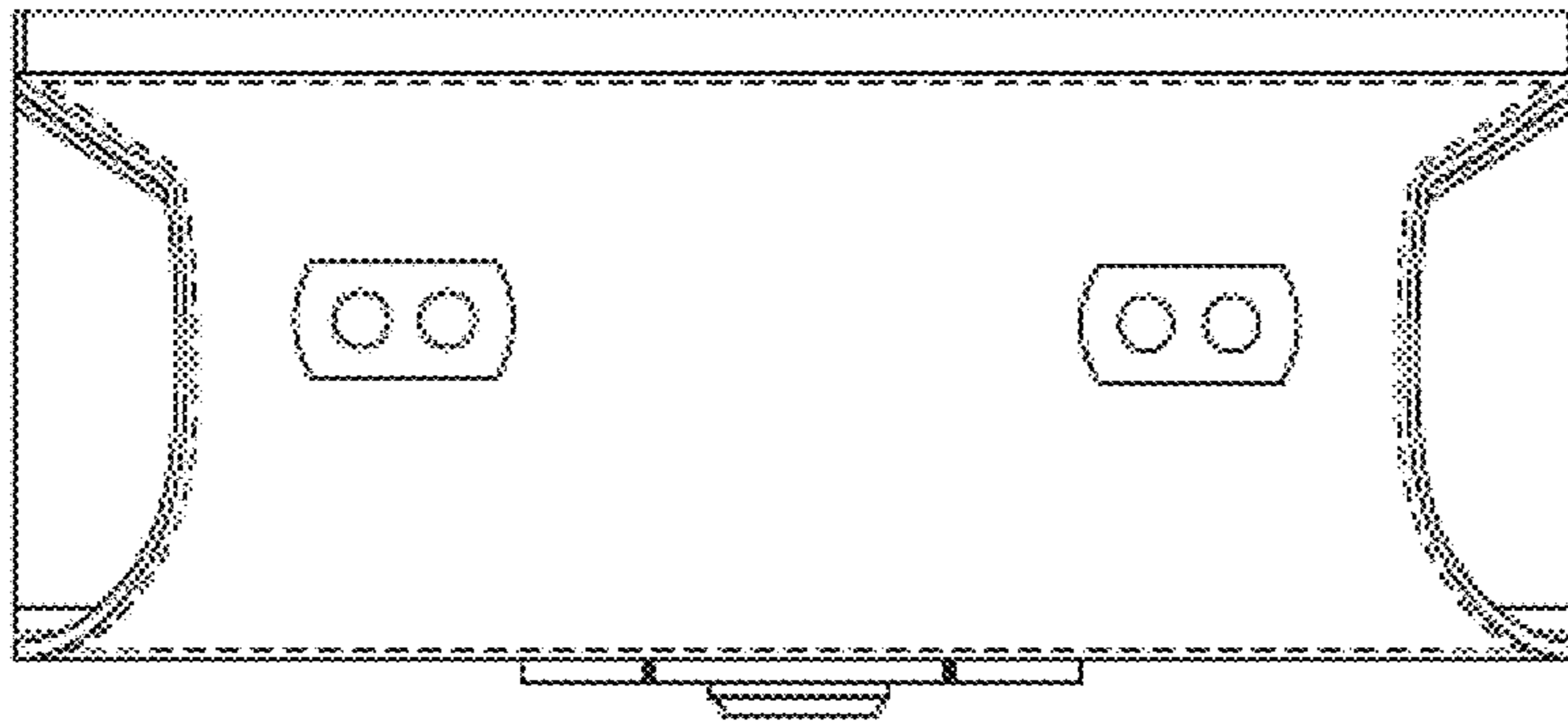


FIG. 7



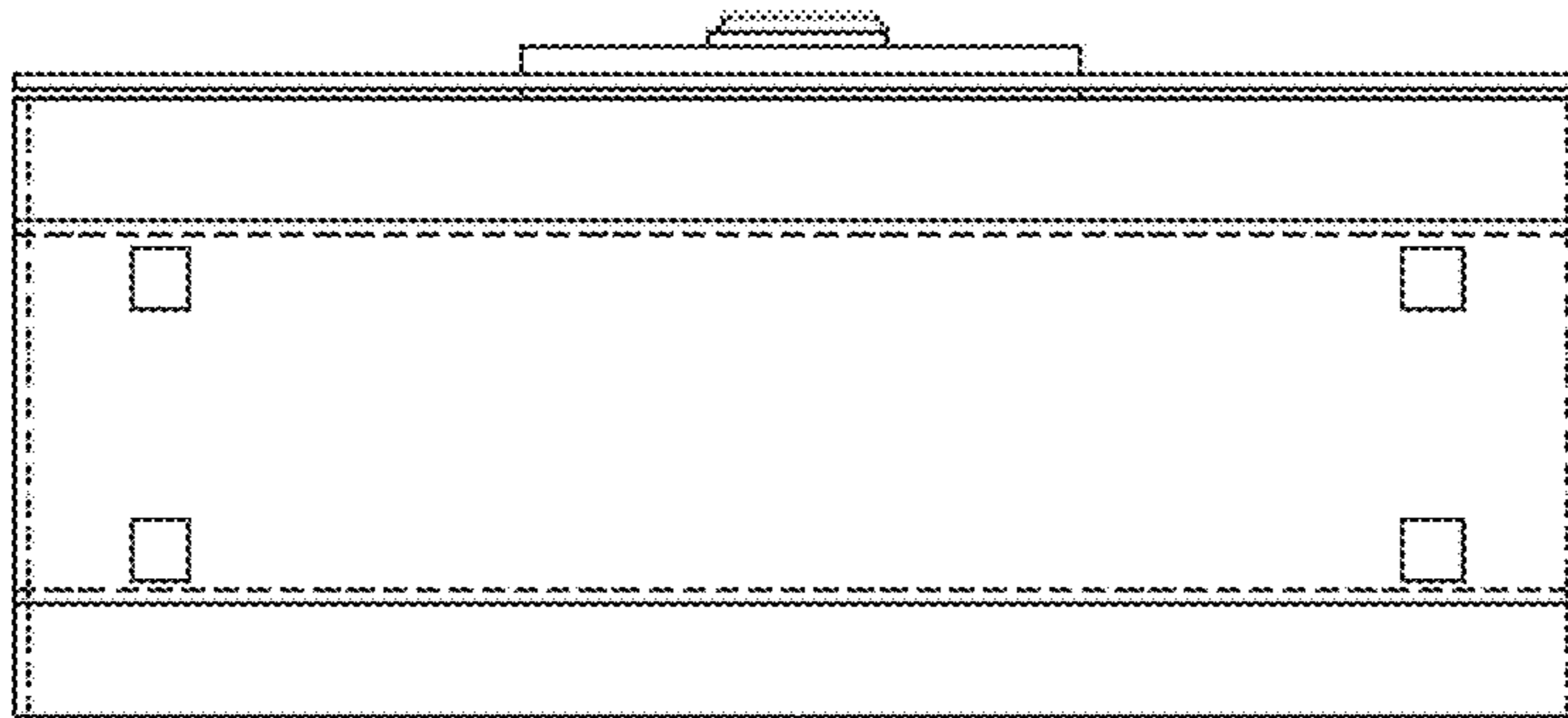


FIG. 8

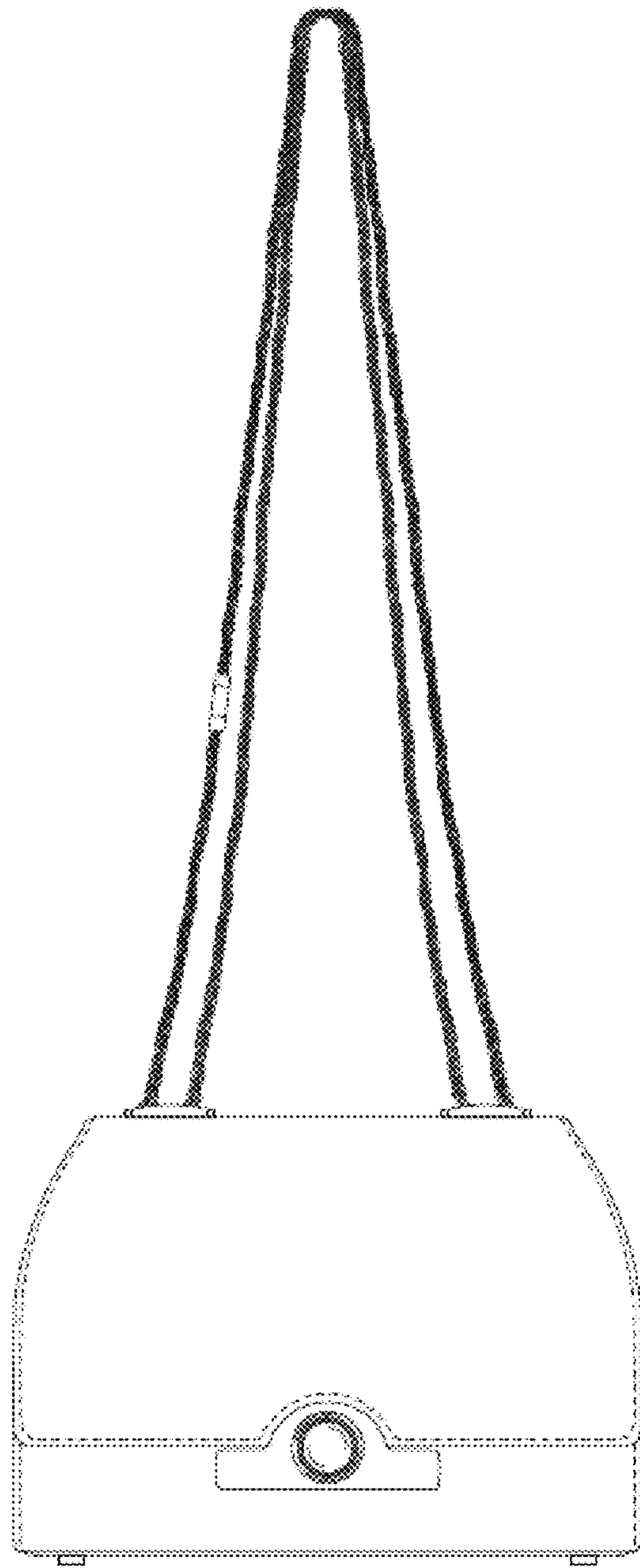


FIG. 9

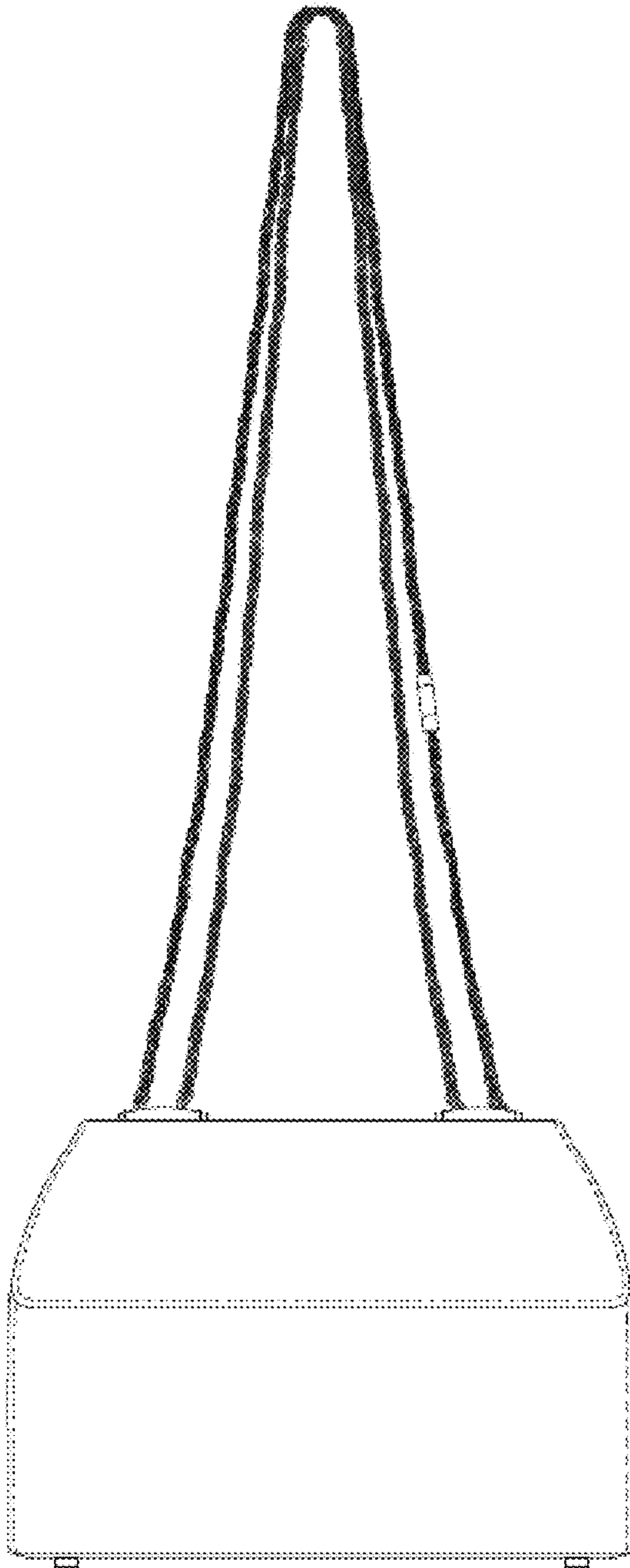


FIG. 10

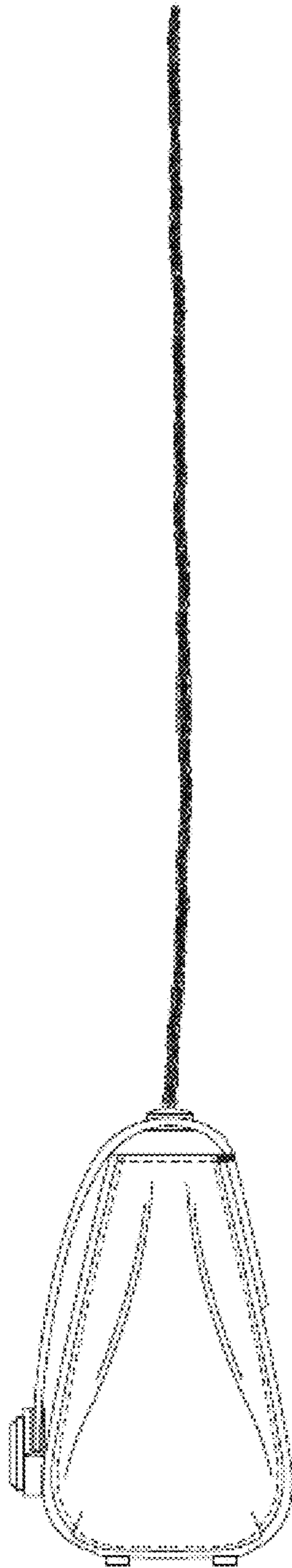


FIG. 11

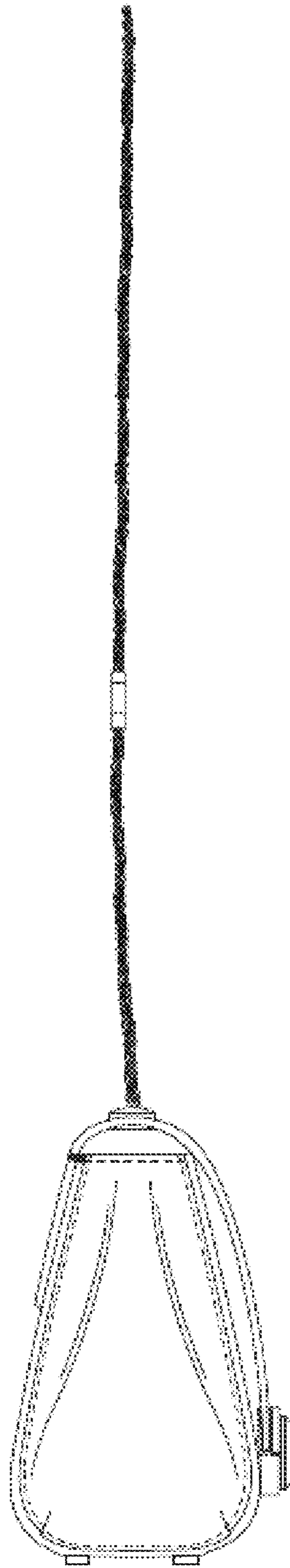


FIG. 12

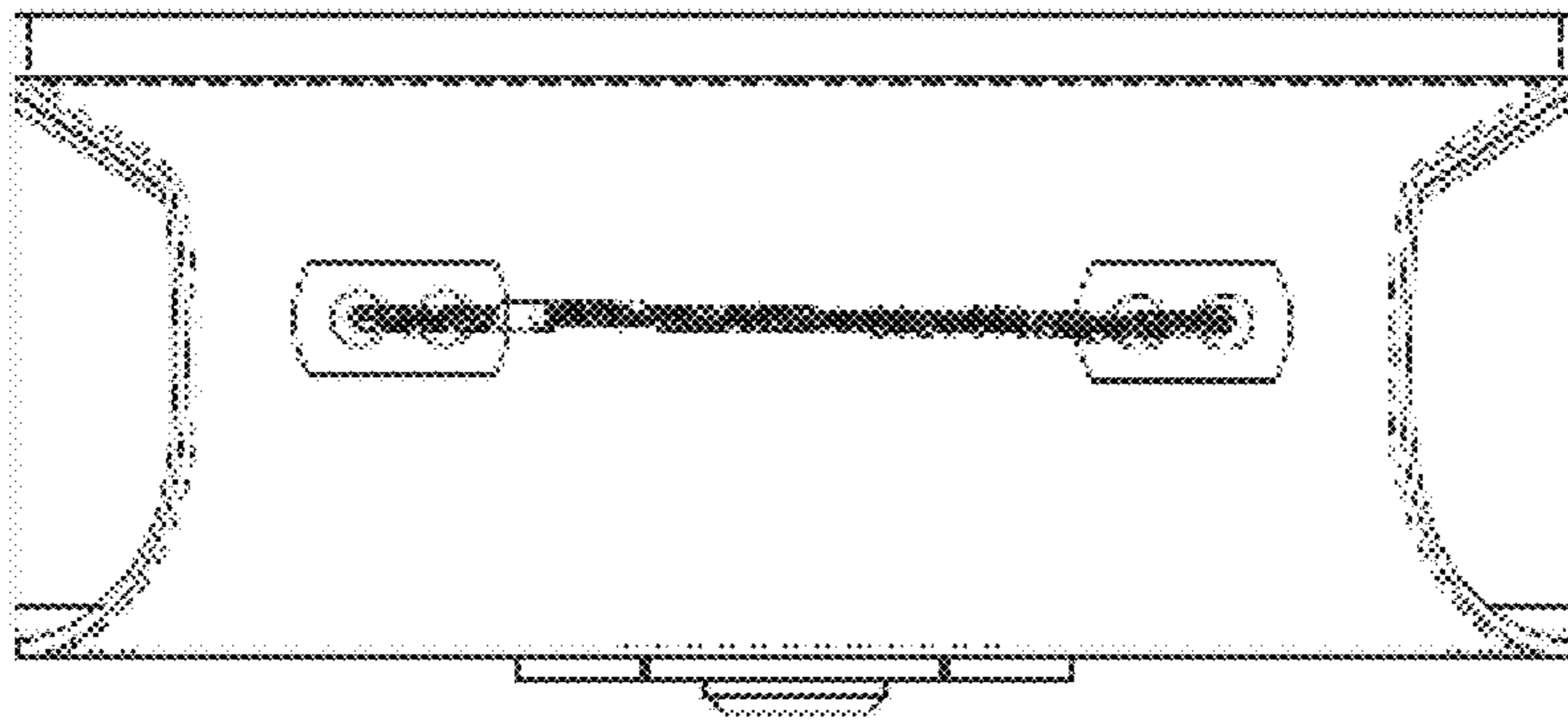


FIG. 13