



US00D838102S

(12) **United States Design Patent** (10) **Patent No.:** **US D838,102 S**
Sereday et al. (45) **Date of Patent:** **** Jan. 15, 2019**

(54) **HOLSTER**

Primary Examiner — Catherine R Oliver-Garcia
(74) *Attorney, Agent, or Firm* — Christensen, Fonder, Dardi & Herbert PLLC

(71) Applicant: **VISTA OUTDOOR OPERATIONS LLC**, Farmington, UT (US)

(72) Inventors: **Daniel Sereday**, Belgrade, MT (US);
Robert Kincaid, Manhattan, MT (US)

(57) **CLAIM**

We claim the ornamental design for a holster, as shown and described.

(73) Assignee: **Vista Outdoor Operations LLC**, Farmington, UT (US)

DESCRIPTION

(**) Term: **15 Years**

FIG. 1 is a perspective view of a holster showing my new design;

(21) Appl. No.: **29/591,132**

FIG. 2 is a front view thereof;

(22) Filed: **Jan. 17, 2017**

FIG. 3 is a rear view thereof;

(51) **LOC (11) Cl.** **03-01**

FIG. 4 is a right side view thereof;

(52) **U.S. Cl.**

FIG. 5 is a left side view thereof;

USPC **D3/222**

FIG. 6 is a top view thereof; and,

(58) **Field of Classification Search**

FIG. 7 is a bottom view thereof.

USPC D3/222–223; 224/191–193, 198–199,
224/245, 672, 674, 911–912; 42/70.01,

Broken lines shown in the drawings illustrate structure or features which form no part of the claimed design.

(Continued)

We understand that the embodiments of our inventions includes features and components illustrated by the drawings herein and shown in the applications incorporated by reference, in all permutations and combinations of such components and features. In other words, we understand embodiments our inventions includes the discrete components illustrated by the drawings herein and the applications incorporated by reference, with or without specific features in the various drawings claimed. We understand embodiments of our inventions includes different combinations of such discrete components as illustrated by the drawings herein and in the applications incorporated by reference. Whereby we reserve the right and contemplate making solid lines dashed for any specific feature or component, part, car portion in the various embodiments illustrated herein and in the drawings of the applications incorporated by reference herein as we have contemplated such as being embodiments of our invention, and we reserve the right and contemplate making dashed lines solid for any specific feature or component, part, or portion.

(56) **References Cited**

U.S. PATENT DOCUMENTS

1,046,912 A 12/1912 Wanee

1,113,530 A 10/1914 Audley

(Continued)

FOREIGN PATENT DOCUMENTS

EP 1975542 10/2008

EP 2757271 7/2014

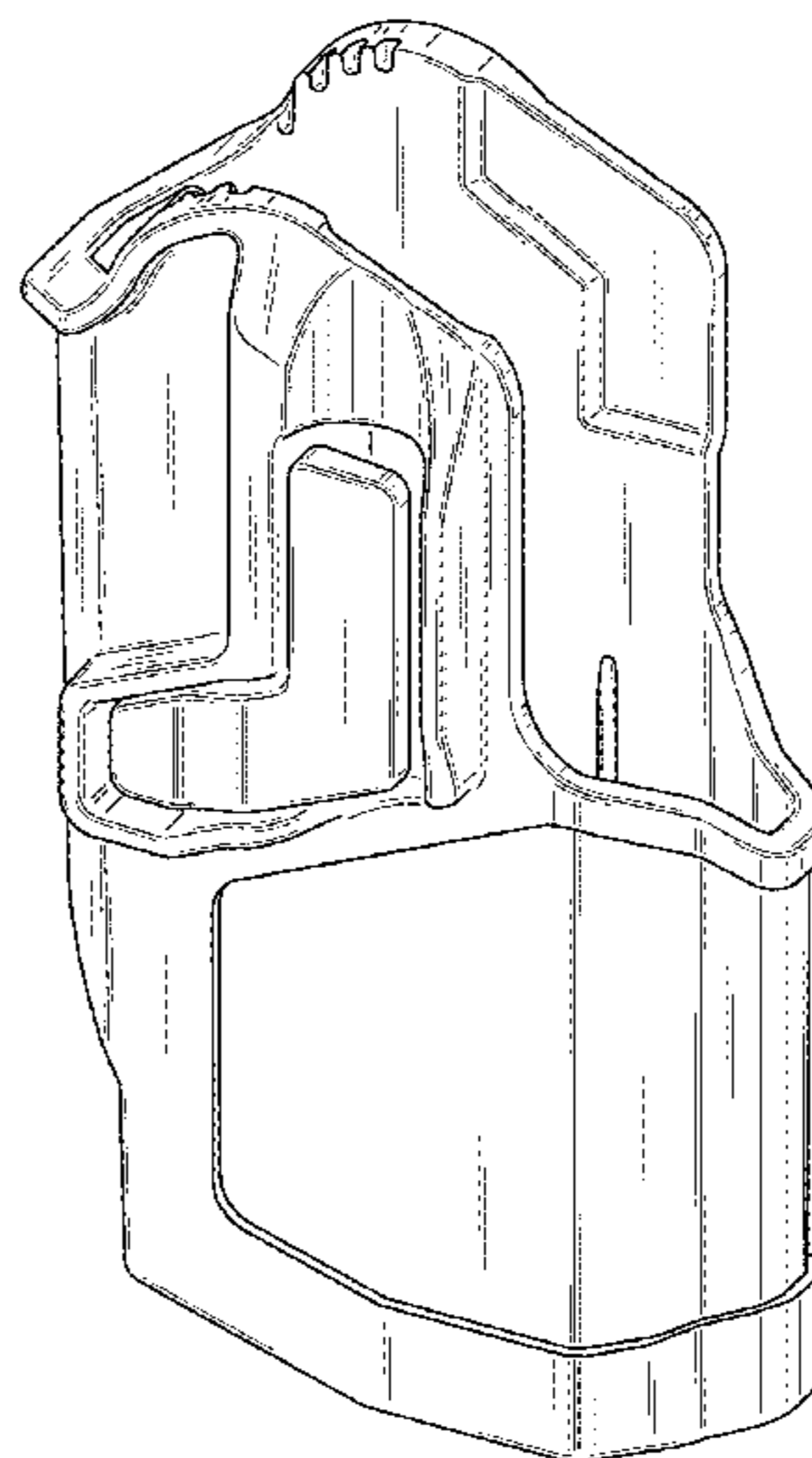
(Continued)

OTHER PUBLICATIONS

European Patent Office, International Search Report of Application No. 10828676.6, dated Jun. 14, 2016, 3 pages.

(Continued)

1 Claim, 7 Drawing Sheets



(58) **Field of Classification Search**
 USPC 42/70.11, 70.04–70.07, 96, 127; 24/3.7,
 24/3.9, 3.11
 CPC .. F41C 33/02; F41C 33/0209; F41C 33/0263;
 Y10S 224/911
 See application file for complete search history.

(56) **References Cited**

U.S. PATENT DOCUMENTS

1,148,935 A	8/1915	Snavely	
1,421,578 A	7/1922	Schussler	
1,635,984 A	7/1927	Corrison	
1,641,439 A	9/1927	Jovino	
1,750,139 A	3/1930	Swift	
1,851,352 A	3/1932	Denkert	
1,951,865 A	3/1934	Franz	
2,051,844 A	8/1936	Green	
2,088,811 A	8/1937	Ray	
2,109,734 A	3/1938	Preneta	
2,349,376 A	5/1944	Ray	
2,443,397 A	6/1948	Myres	
2,551,913 A	5/1951	Toby	
2,577,869 A	12/1951	Adams	
2,893,615 A	7/1959	Couper	
D192,364 S *	3/1962	Clark	D3/222
3,289,903 A	12/1966	Taormina	
3,419,728 A	12/1968	Wilson	
3,420,420 A	1/1969	Clark	
3,550,821 A	12/1970	Daigle	
3,550,822 A	12/1970	Lloyd	
3,669,325 A	6/1972	Furman	
3,718,240 A	2/1973	Rose	
3,777,952 A	12/1973	Theodore	
3,804,306 A	4/1974	Azurin	
3,828,990 A	8/1974	Baldocchi	
3,866,811 A	2/1975	Hamby	
3,904,091 A	9/1975	Jones	
3,910,469 A	10/1975	Baldocchi	
RE30,139 E	11/1979	Jones	
4,277,007 A	7/1981	Bianchi et al.	
4,846,384 A	7/1989	Perry	
5,018,654 A	5/1991	Rogers et al.	
5,048,735 A	9/1991	McCormick	
5,082,318 A	1/1992	Held et al.	
5,094,376 A	3/1992	Baruch	
5,100,036 A	3/1992	Rogers et al.	
5,127,566 A	7/1992	Beletsky	
5,129,562 A	7/1992	Bianchi	
5,199,620 A	4/1993	Beletsky	
5,215,238 A	6/1993	Baruch	
5,275,317 A	1/1994	Rogers et al.	
5,282,559 A	2/1994	Wisser et al.	
5,284,281 A	2/1994	Nichols	
5,322,200 A	6/1994	Blanchard	
5,358,160 A	10/1994	Bianchi	
5,372,288 A	12/1994	Rogers et al.	
5,395,021 A	3/1995	Brown	
5,419,474 A	5/1995	Marx et al.	
5,421,497 A	6/1995	Gilmore	
5,449,103 A	9/1995	Tilley	
5,458,266 A	10/1995	Pichot	
5,467,909 A	11/1995	Resca et al.	
5,501,380 A	3/1996	Wu	
5,501,381 A	3/1996	Rogers et al.	
5,509,591 A	4/1996	Carver	
5,513,785 A	5/1996	Campagna, Jr.	
5,518,155 A	5/1996	Gallagher	
5,551,611 A	9/1996	Gilmore	
5,570,830 A	11/1996	Nichols	
5,573,157 A	11/1996	Mauriello et al.	
5,598,958 A	2/1997	Ryan, III et al.	
5,611,164 A	3/1997	Rassias	
5,622,295 A	4/1997	Hellweg et al.	
5,749,507 A	5/1998	Wood	
5,758,448 A	6/1998	Thummel	
5,768,816 A	6/1998	Rassias	

5,779,114 A	7/1998	Owens
5,806,739 A	9/1998	Wood
5,810,221 A	9/1998	Beletsky et al.
5,810,222 A	9/1998	Shoemaker
5,855,305 A	1/1999	Nichols
5,916,087 A	6/1999	Owens
5,918,784 A	7/1999	Serpa
5,927,578 A	7/1999	Kay
5,931,358 A	8/1999	Rogers
5,944,239 A	8/1999	Rogers et al.
5,961,013 A	10/1999	Collins
6,085,951 A	7/2000	Beletsky et al.
6,112,962 A	9/2000	Matthews
6,149,042 A	11/2000	Rassias
6,189,751 B1	2/2001	Tserng
6,230,946 B1	5/2001	Vor Keller et al.
6,267,279 B1	7/2001	Matthews
6,276,581 B1	8/2001	Glock
6,320,975 B1	11/2001	Vieweg
6,349,496 B1	2/2002	Neely
6,389,726 B1	5/2002	Bentley
6,398,089 B1	6/2002	Har-Shen
6,415,541 B1	7/2002	Rassias
6,467,660 B1	10/2002	Rogers et al.
6,523,374 B1	2/2003	Owens
6,533,149 B2	3/2003	Vor Keller et al.
6,547,111 B2	4/2003	French
6,585,209 B1	7/2003	Mattingly
6,588,635 B2	7/2003	Vor Keller et al.
6,604,657 B2	8/2003	Yirmiyahu et al.
6,616,020 B1	9/2003	Spielberger
6,634,527 B2	10/2003	Lui
6,641,009 B2	11/2003	French et al.
6,732,891 B2	5/2004	Locklear, III
6,752,300 B2	6/2004	Har-Shen
6,755,331 B2	6/2004	Rassias
6,769,581 B2	8/2004	Rogers et al.
6,769,582 B1	8/2004	Beletsky et al.
6,799,392 B2	10/2004	Milec et al.
D501,991 S	2/2005	Cook et al.
6,854,626 B2	2/2005	Liao
6,886,725 B2	5/2005	Lowe et al.
6,918,519 B2	7/2005	Vor Keller et al.
6,948,644 B1	9/2005	Beletsky
D512,561 S	12/2005	Cook et al.
7,117,625 B2	10/2006	Pikielny
7,140,523 B2	11/2006	Lowe et al.
7,200,965 B2	4/2007	Vor Keller et al.
7,258,259 B1	8/2007	Owens
7,434,712 B2	10/2008	Cook et al.
7,461,765 B2	12/2008	French et al.
7,530,456 B1	5/2009	Tsai
7,543,404 B2	6/2009	Kovalchuk et al.
7,556,181 B2	7/2009	Spielberger
7,562,797 B2	7/2009	Senn et al.
7,584,875 B2	9/2009	Lowe et al.
7,591,402 B2	9/2009	Rassias
7,644,845 B2	1/2010	Lowe
7,694,860 B2	4/2010	Clifton, Jr.
7,735,255 B1	6/2010	Kincaid et al.
7,762,018 B1	7/2010	Fitzpatrick et al.
7,819,294 B2	10/2010	Lowe et al.
7,841,497 B1	11/2010	Gregory et al.
7,850,053 B2	12/2010	Rassias
7,922,050 B2	4/2011	Benes
7,934,333 B1	5/2011	Tuz
7,937,880 B1	5/2011	Fidlow
7,950,553 B2	5/2011	Rassias
7,954,971 B1	6/2011	Kincaid et al.
8,052,018 B2	11/2011	Gallagher
8,096,453 B2	1/2012	Lowe et al.
8,132,355 B1	3/2012	Kincaid et al.
8,141,758 B2	3/2012	Spielberger
8,177,108 B1	5/2012	Kincaid et al.
8,215,525 B2	7/2012	Rassias
8,235,263 B1	8/2012	Yeates et al.
8,251,266 B2	8/2012	Gregory et al.
8,281,512 B2	10/2012	Lara
8,302,827 B1	11/2012	Cole

(56)

References Cited

U.S. PATENT DOCUMENTS

8,371,487 B1 2/2013 Plappert
 8,474,670 B1 7/2013 Gregory et al.
 RE44,428 E 8/2013 Spielberg
 8,517,235 B1 8/2013 Kincaid et al.
 8,544,706 B2 10/2013 Crye
 8,602,275 B1 12/2013 Kiger et al.
 8,602,276 B2 12/2013 Tybakinoja
 8,631,981 B2 1/2014 Zusman
 8,646,665 B2 2/2014 Abushaev
 8,690,032 B2 4/2014 Baumann et al.
 8,714,423 B1 5/2014 Kincaid et al.
 8,720,753 B2 5/2014 Benes
 8,720,754 B2 5/2014 Kirsch
 8,720,755 B2 5/2014 Gregory et al.
 8,783,532 B2 7/2014 Gregory et al.
 8,807,404 B1 8/2014 Howell et al.
 8,851,344 B2 10/2014 Baumann et al.
 8,870,042 B2 10/2014 Clifton
 8,910,839 B2 12/2014 Clifton
 8,925,773 B2 1/2015 Clifton
 D723,796 S 3/2015 Resca
 8,985,412 B2 3/2015 Rorick et al.
 9,016,533 B2 4/2015 Visalli et al.
 9,022,262 B2 5/2015 Pellegrini
 9,057,579 B2 6/2015 Rorick et al.
 9,057,580 B2 6/2015 Rorick et al.
 9,086,254 B1 7/2015 Plappert
 9,109,855 B1 8/2015 Kincel
 9,134,093 B2 9/2015 Yeates
 9,175,925 B2 11/2015 Pellegrini
 9,228,802 B2 1/2016 Ribas
 D784,008 S * 4/2017 Rogers D3/222
 2004/0050887 A1 3/2004 Spielberg
 2004/0195282 A1 10/2004 Beletsky et al.
 2005/0205621 A1 9/2005 Shults
 2005/0205624 A1 9/2005 French et al.
 2005/0279789 A1 12/2005 Lowe
 2006/0156525 A1 7/2006 Jenkins et al.
 2006/0157520 A1 7/2006 Clifton, Jr.
 2006/0175366 A1 8/2006 Dekaise
 2006/0226185 A1 10/2006 Har-Shen

2007/0181619 A1 8/2007 Seyfert et al.
 2008/0110947 A1 5/2008 Pikielny
 2008/0121670 A1 5/2008 Buress
 2008/0179359 A1 7/2008 Aberle et al.
 2008/0179360 A1 7/2008 Lowe et al.
 2009/0321480 A1 12/2009 Kincaid et al.
 2010/0276464 A1 11/2010 Hirt et al.
 2011/0011904 A1 1/2011 Schultz et al.
 2011/0101063 A1 5/2011 Zusman
 2011/0163138 A1 7/2011 Tybakinoja
 2011/0174849 A1 7/2011 Clifton, Jr.
 2011/0174850 A1 7/2011 Clifton, Jr.
 2013/0240582 A1 9/2013 Tybakinoja et al.
 2014/0048572 A1 2/2014 Yeates
 2014/0109345 A1 4/2014 Melville
 2015/0285587 A1 10/2015 Abushaev
 2017/0003101 A1 1/2017 Madrid et al.

FOREIGN PATENT DOCUMENTS

FR 2893404 5/2007
 WO WO2010/064268 6/2010
 WO WO2013/071402 5/2013
 WO WO2014/028876 2/2014
 ZA 986778 2/1999

OTHER PUBLICATIONS

European Patent Office, Search Opinion of Application No. 10828676.6, dated Feb. 16, 2015, 3 pages.
 European Patent Office, Supplementary Search Report of Application No. 10828676.6, dated Feb. 16, 2015, 2 pages.
 Written Opinion of the International Searching Authority for International Application No. PCT/US2010/002935, dated Jan. 7, 2011.
 PCT International Preliminary Report on Patentability for International Application No. PCT/US2010/002935, dated May 15, 2012, 5 pages.
 PCT International Search Report for International Application No. PCT/US2010/002935, dated Jan. 7, 2011, 2 pages.
 Notification of Transmittal of the International Search Report and the Written Opinion of the Int'l Searching Authority, Application No. PCT/US16/023474, dated Jul. 27, 2016, 20 pages.

* cited by examiner

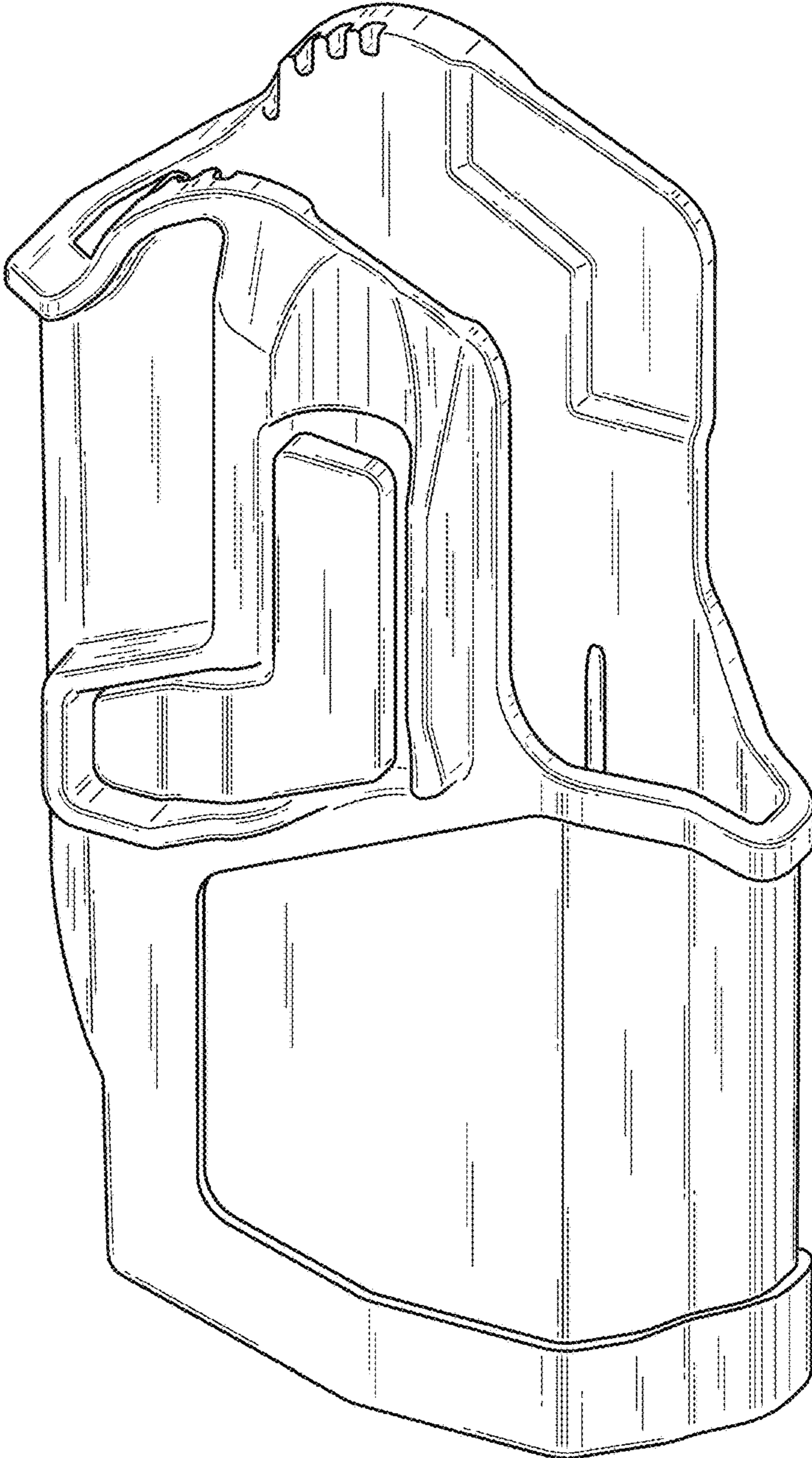


Fig. 1

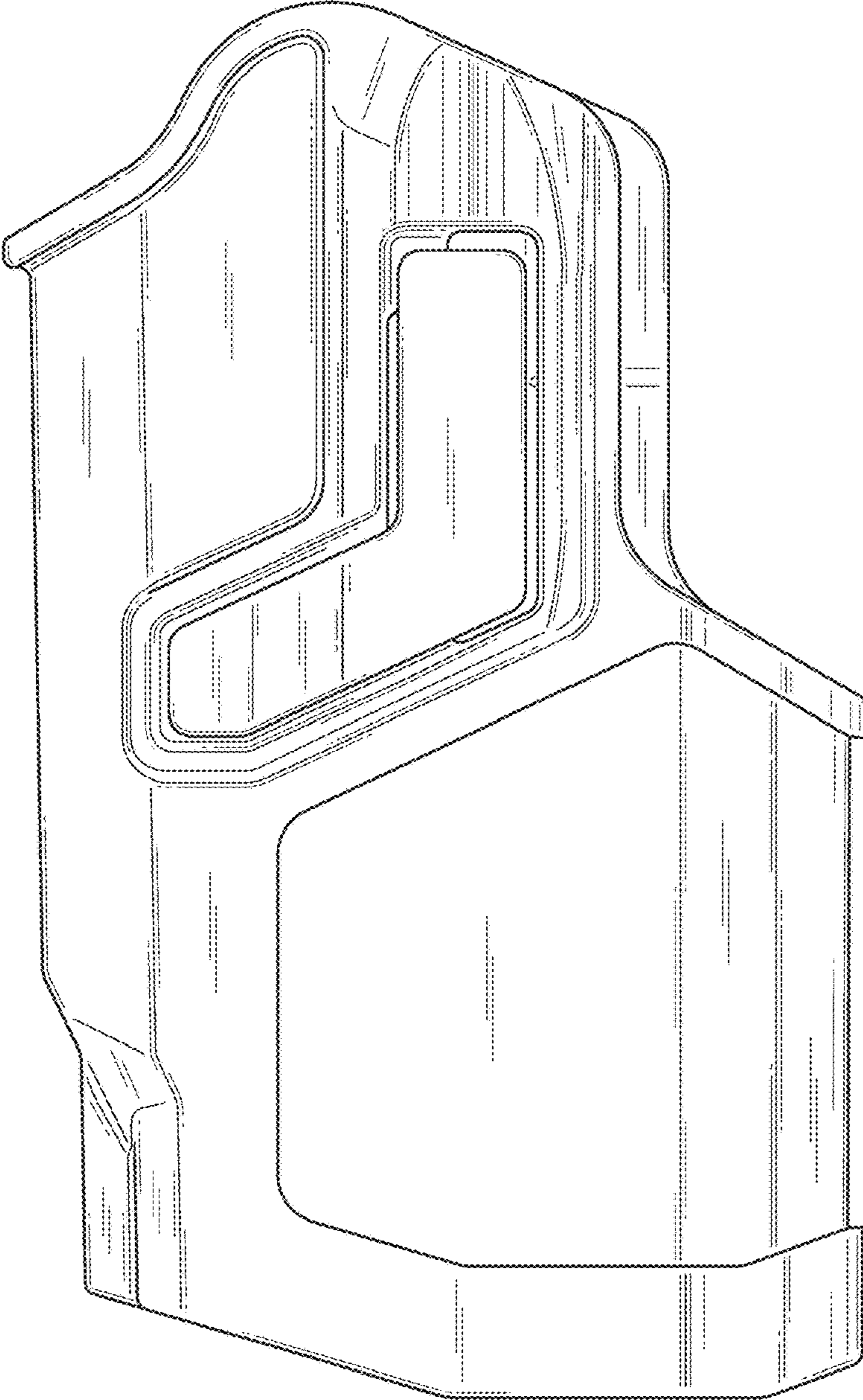


Fig. 2

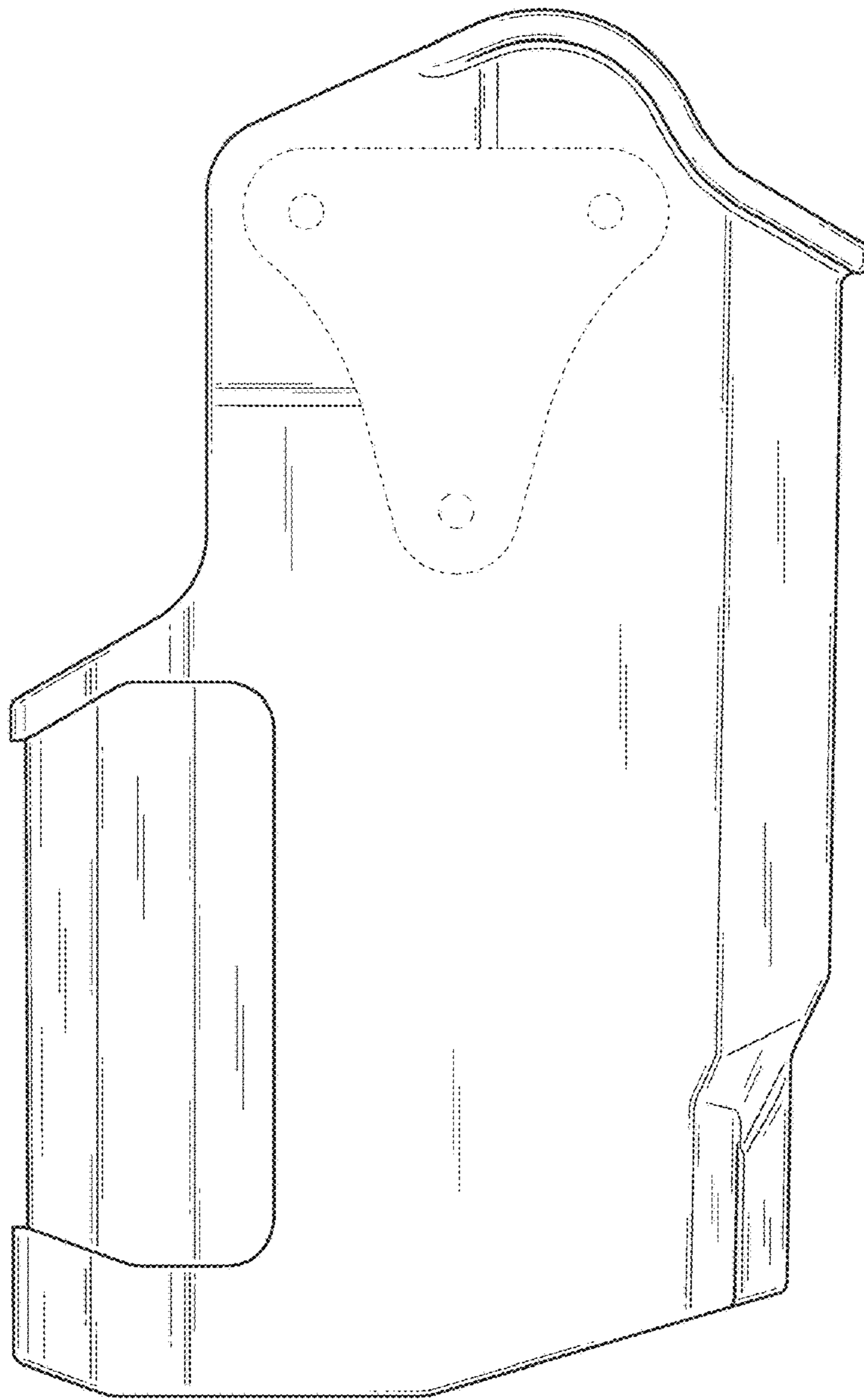


Fig. 3

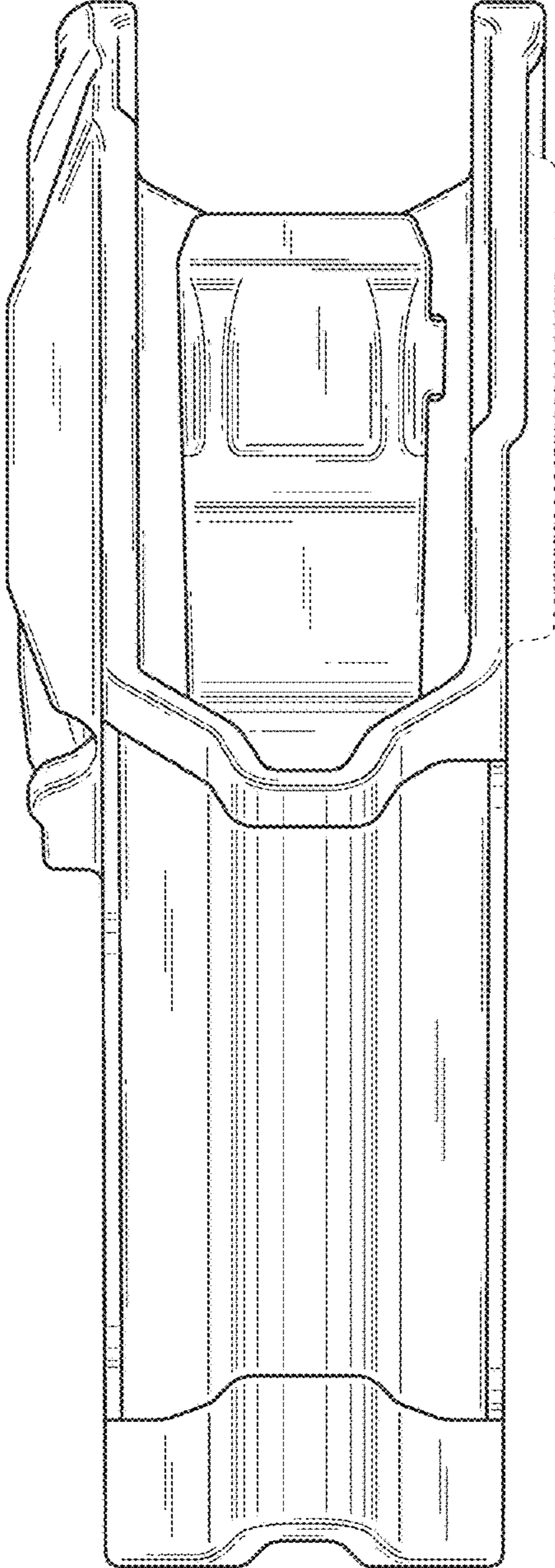


Fig. 4

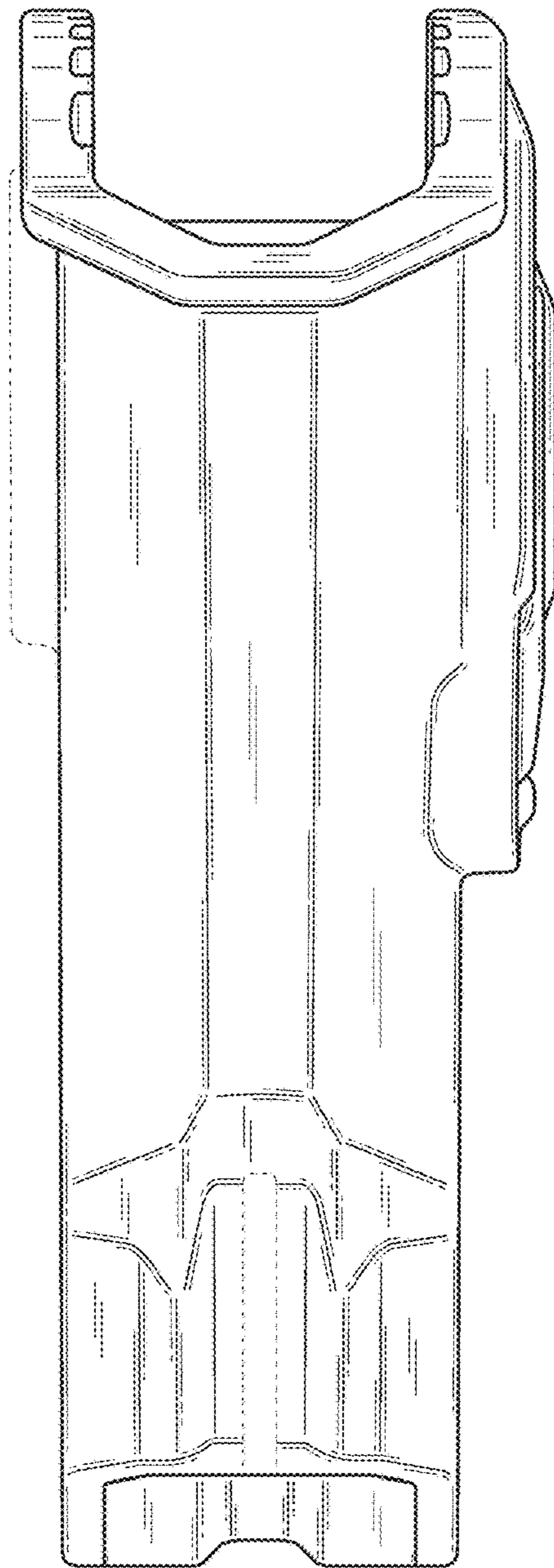


Fig. 5

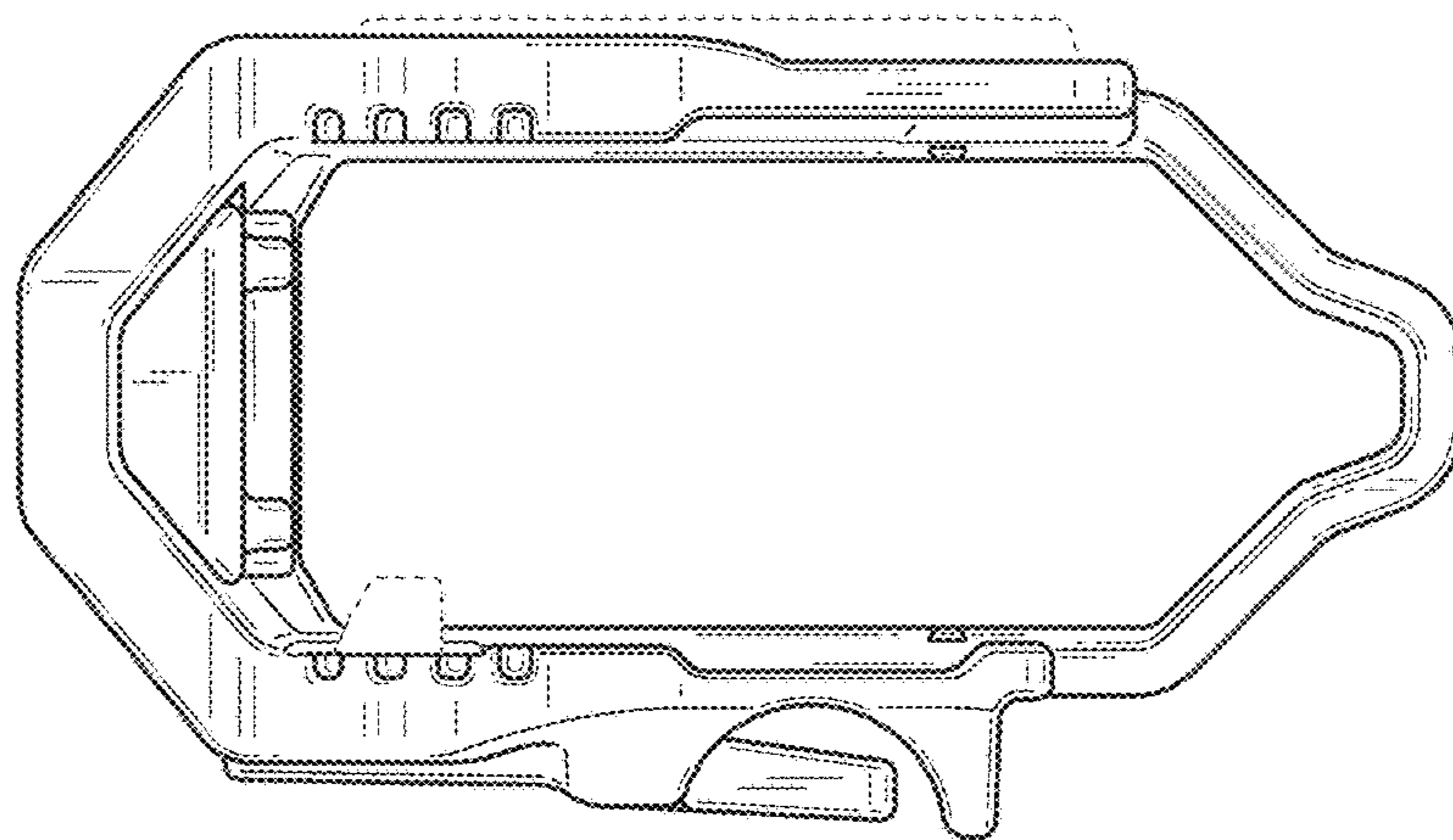


Fig. 6

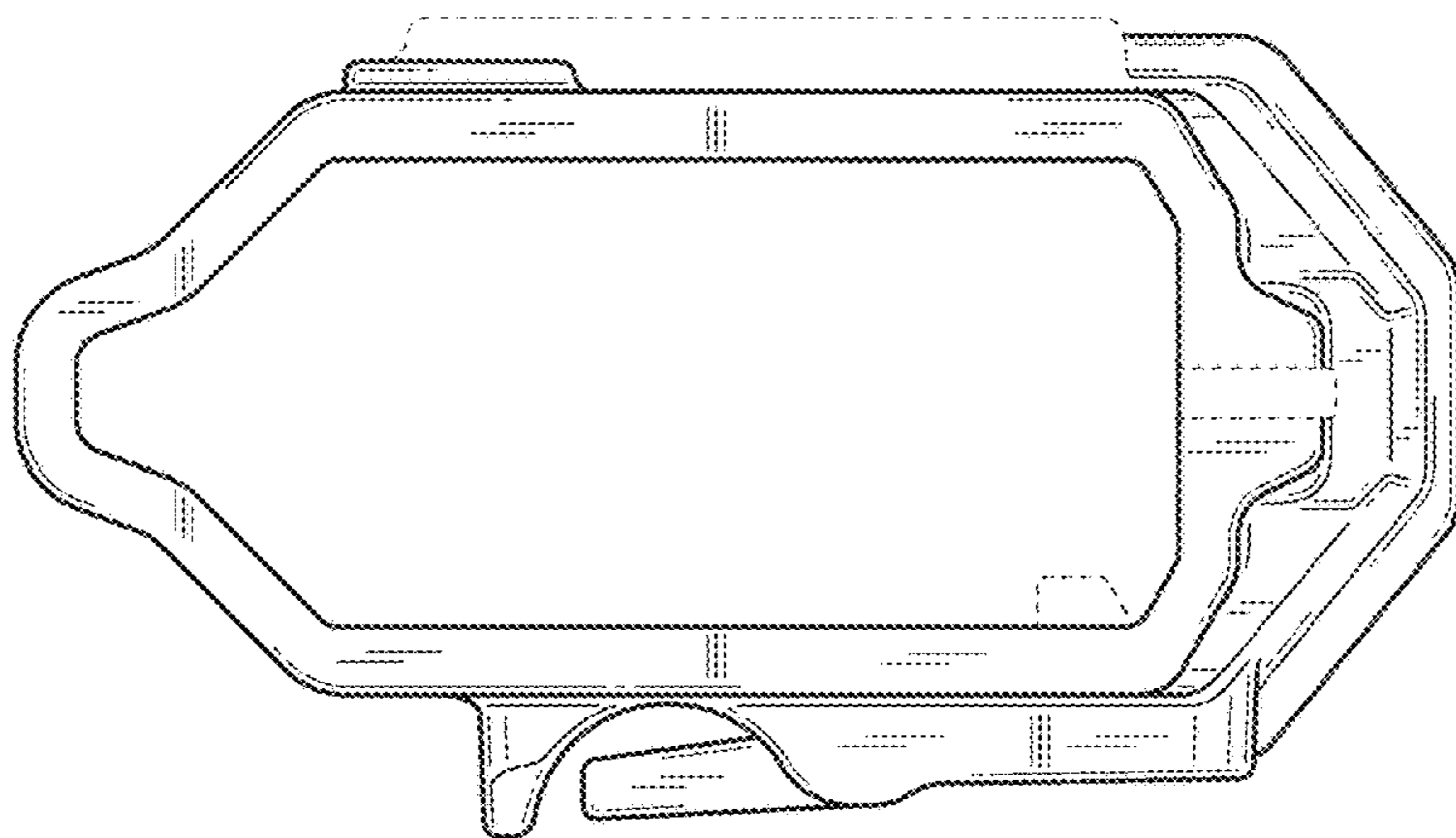


Fig. 7