



US00D838100S

(12) **United States Design Patent**  
**Wang**

(10) **Patent No.:** **US D838,100 S**

(45) **Date of Patent:** **\*\* Jan. 15, 2019**

(54) **KEY CHAIN**

(71) Applicant: **Xiao-Qin Wang**, Anqing (CN)

(72) Inventor: **Xiao-Qin Wang**, Anqing (CN)

(\*\*) Term: **15 Years**

(21) Appl. No.: **29/653,480**

(22) Filed: **Jun. 15, 2018**

(51) **LOC (11) Cl.** ..... **03-01**

(52) **U.S. Cl.**  
USPC ..... **D3/207**

(58) **Field of Classification Search**  
USPC ..... D3/207–212; 70/456 B, 457, 458, 408,  
70/456 R; D13/168; D8/347; D10/104;  
D14/496, 411; 206/37.1; D21/604, 605,  
D21/656, 658, 659; 24/3.6; D11/11, 79,  
D11/81, 82, 87  
CPC ..... H04B 1/034; F04B 15/00; E05B 19/04;  
A44B 15/00; A44B 15/002; A44B  
15/005; A44B 15/007  
See application file for complete search history.

(56) **References Cited**

**U.S. PATENT DOCUMENTS**

2,462,206 A \* 2/1949 Magee ..... A45C 11/324  
206/37.8  
D438,373 S \* 3/2001 Riley ..... D3/207

D506,056 S \* 6/2005 Burns ..... D3/207  
D557,008 S \* 12/2007 Stiller ..... D3/207  
8,104,315 B2 \* 1/2012 Perthou ..... A44B 15/00  
206/38.1  
D677,048 S \* 3/2013 Du ..... D3/207  
D793,075 S \* 8/2017 Ma ..... D3/207  
D819,958 S \* 6/2018 LiCalsi ..... D3/207

\* cited by examiner

*Primary Examiner* — Ralf Seifert

(74) *Attorney, Agent, or Firm* — ScienBiziP, P.C.

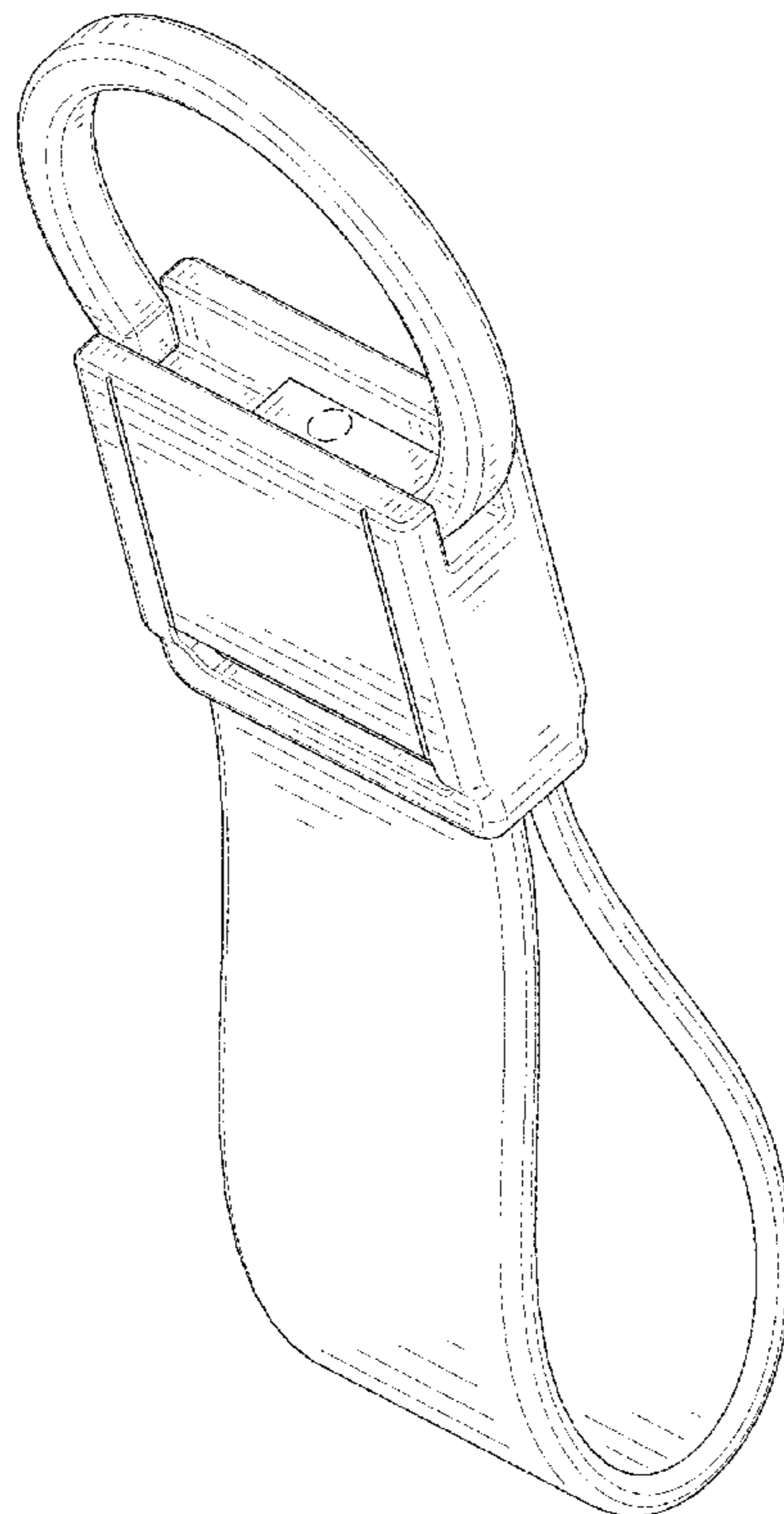
(57) **CLAIM**

The ornamental design for a key chain, as shown and described.

**DESCRIPTION**

FIG. 1 is a first perspective view of an embodiment of a key chain, showing the claimed new design;  
FIG. 2 is a second perspective view thereof;  
FIG. 3 is a front elevation view thereof;  
FIG. 4 is a rear elevation view thereof;  
FIG. 5 is a left side elevation view thereof;  
FIG. 6 is a right side elevation view thereof;  
FIG. 7 is a top plan view thereof; and,  
FIG. 8 is a bottom plan view thereof.  
The broken lines in the drawings represent boundaries of the claimed design. The broken lines are environmental structures that form no part of the claimed design. The broken lines and unshaded regions bounded by broken lines form no part of the claimed design.

**1 Claim, 8 Drawing Sheets**



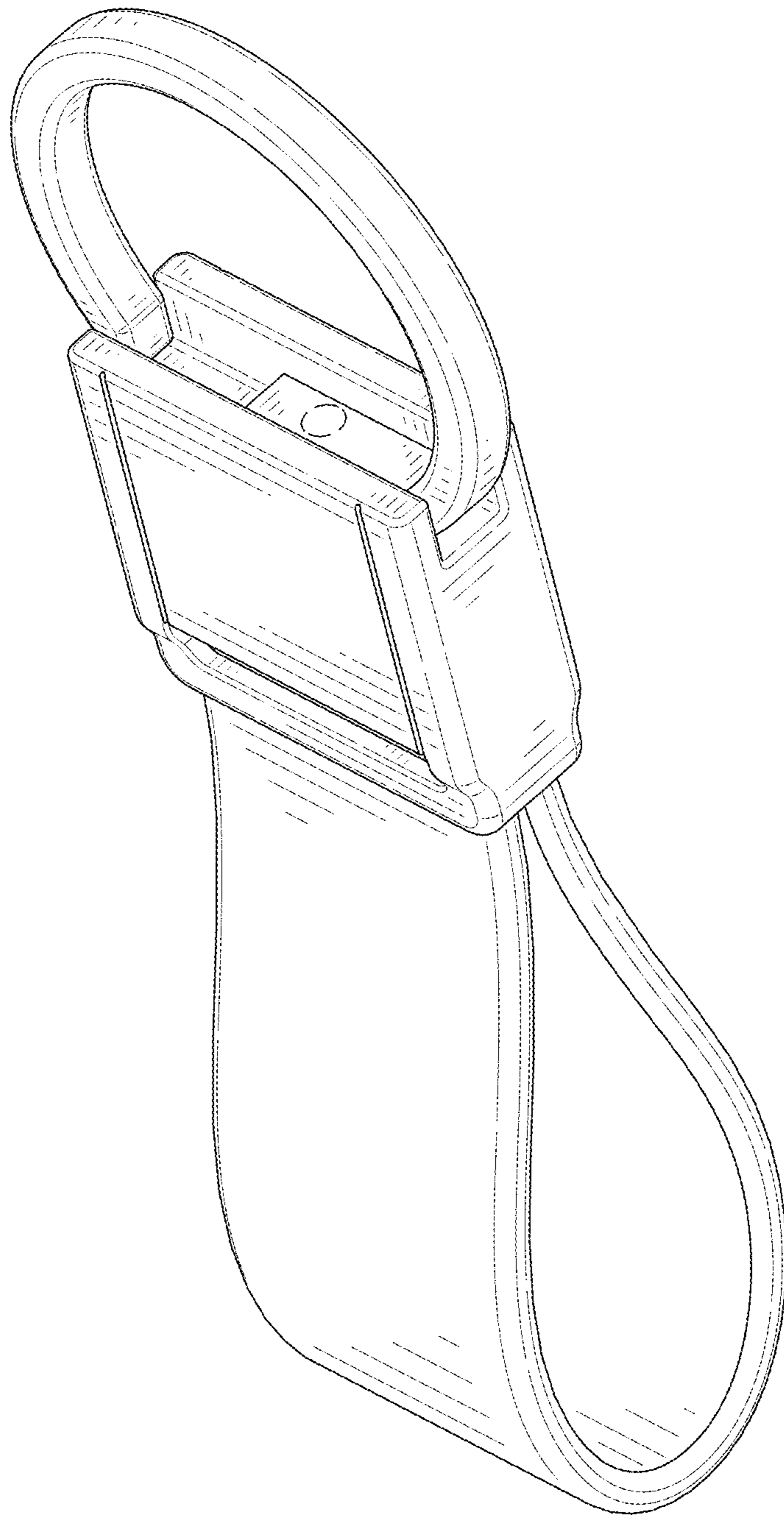


FIG. 1

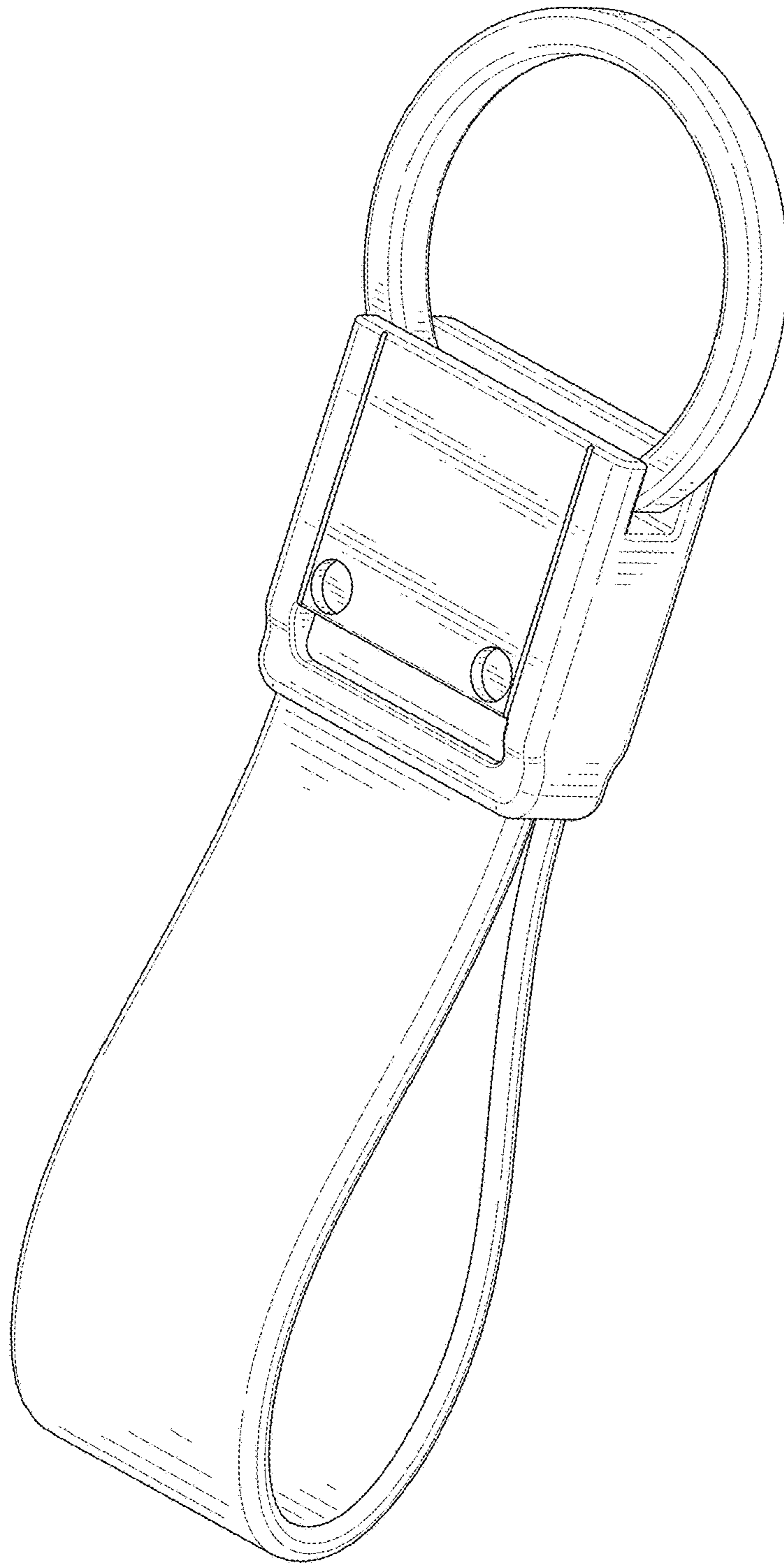


FIG. 2

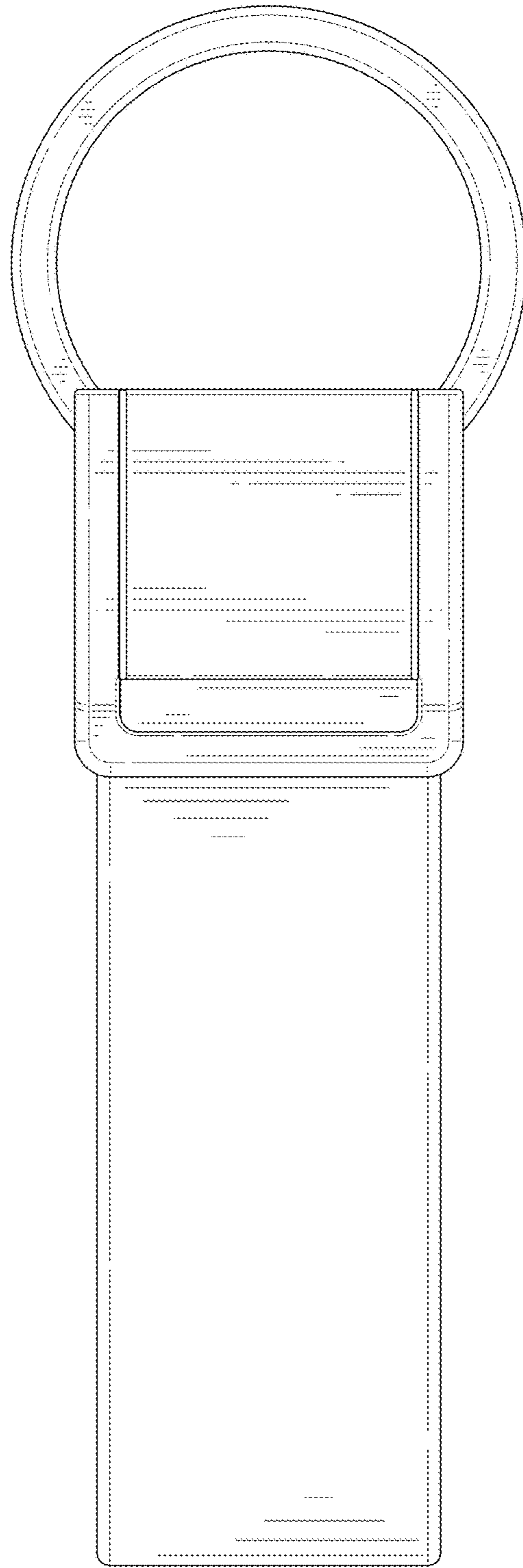


FIG. 3

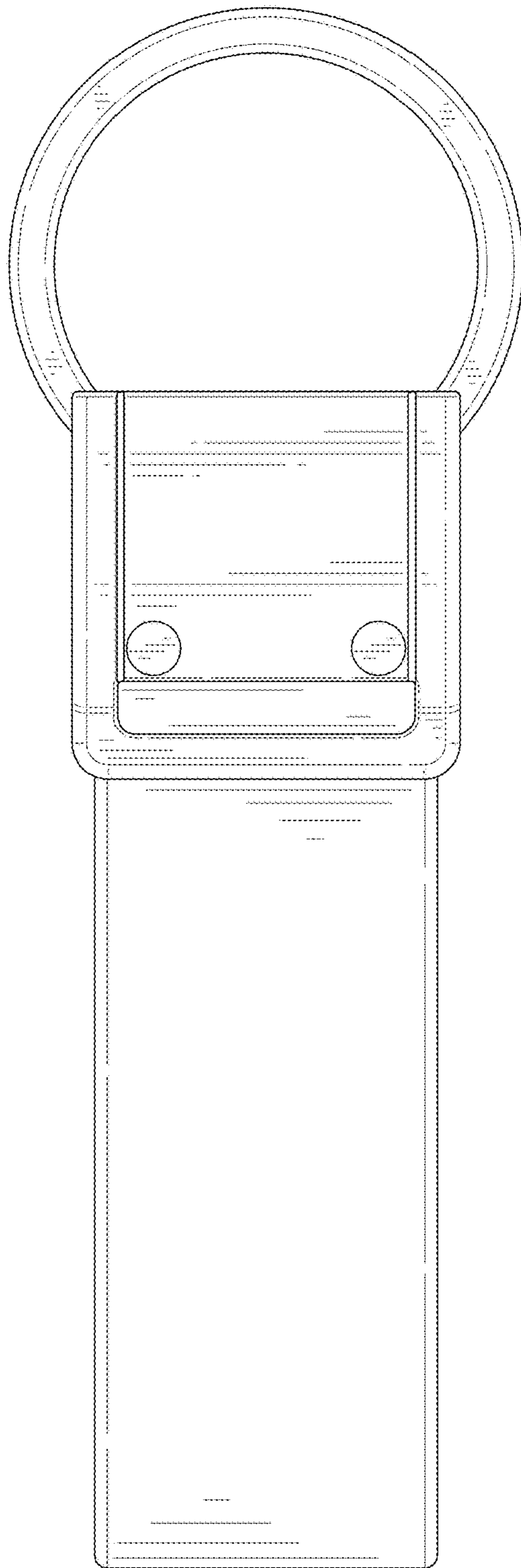


FIG. 4



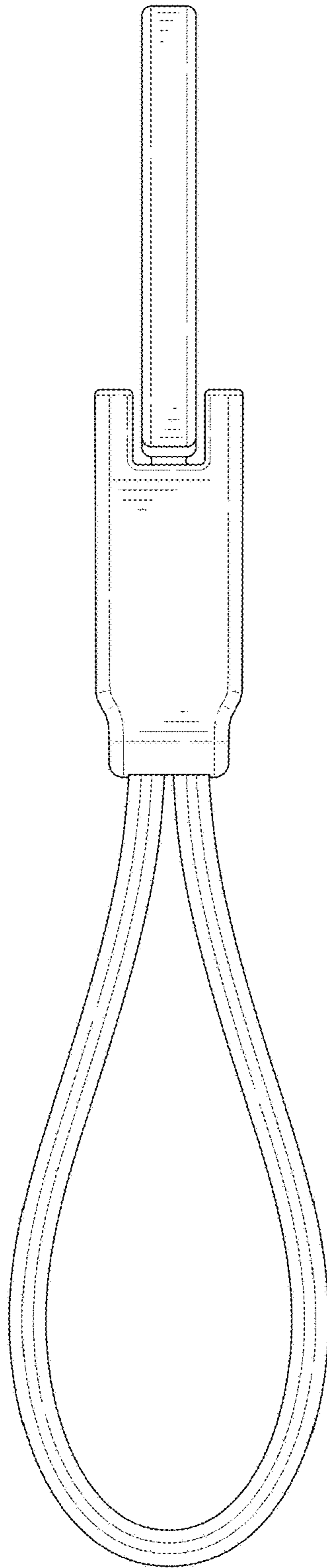


FIG. 5

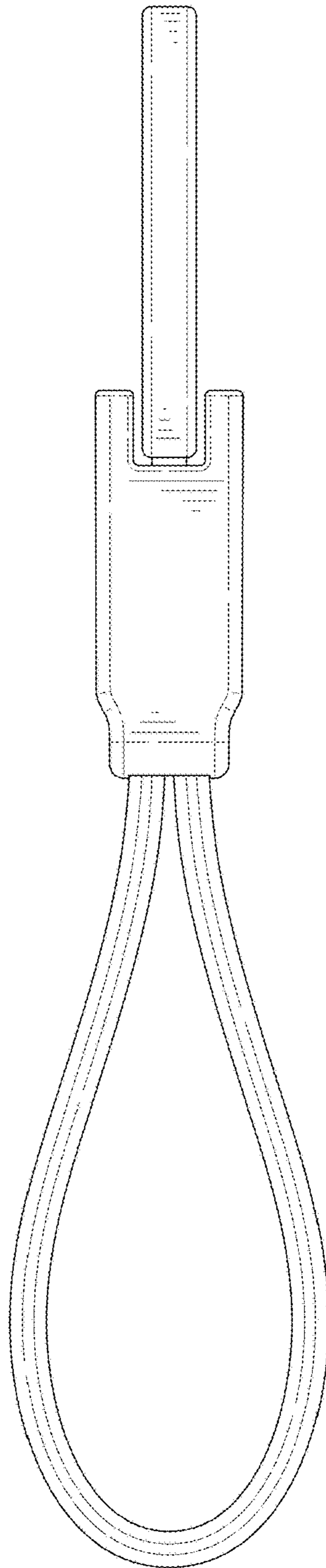


FIG. 6

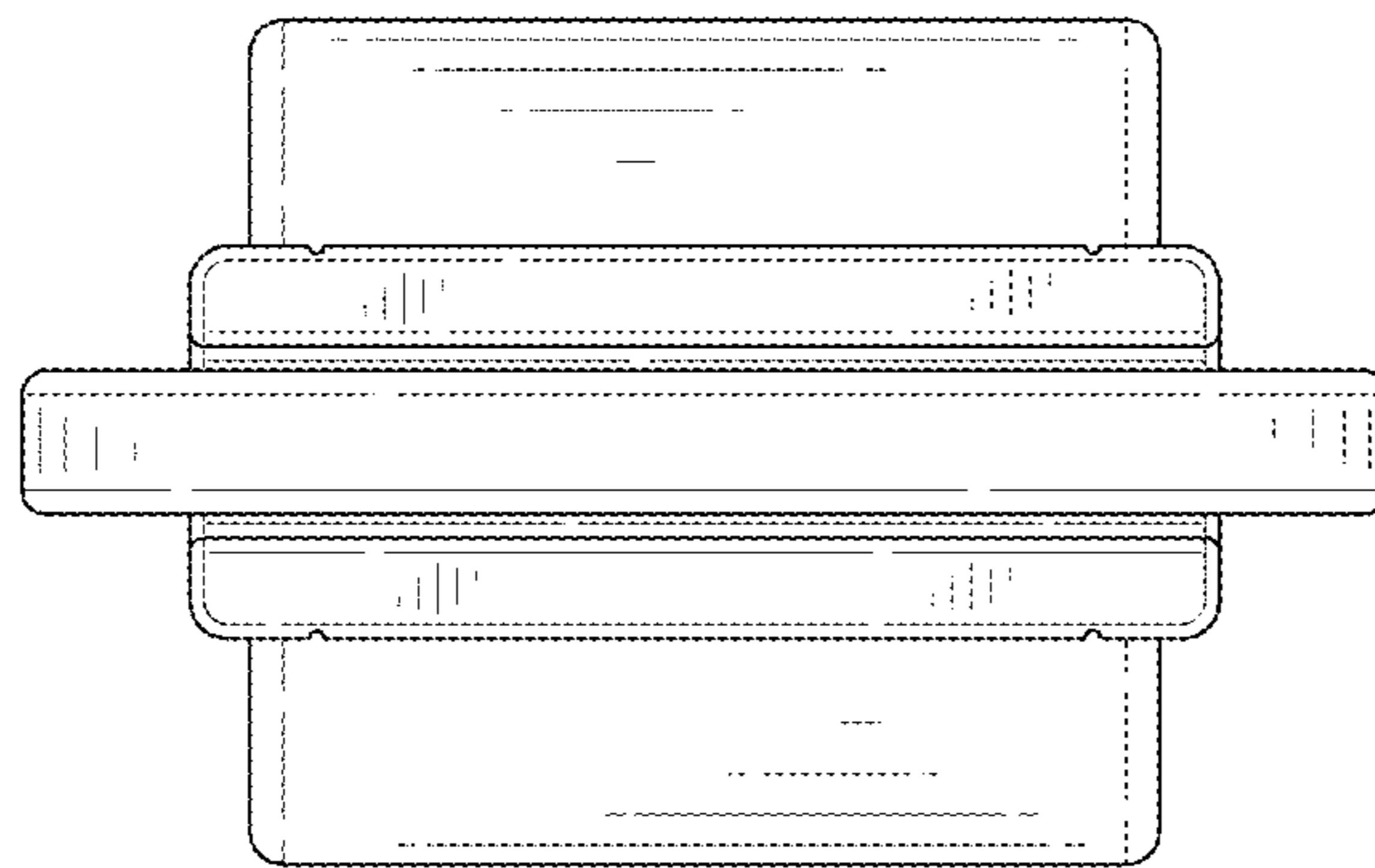


FIG. 7



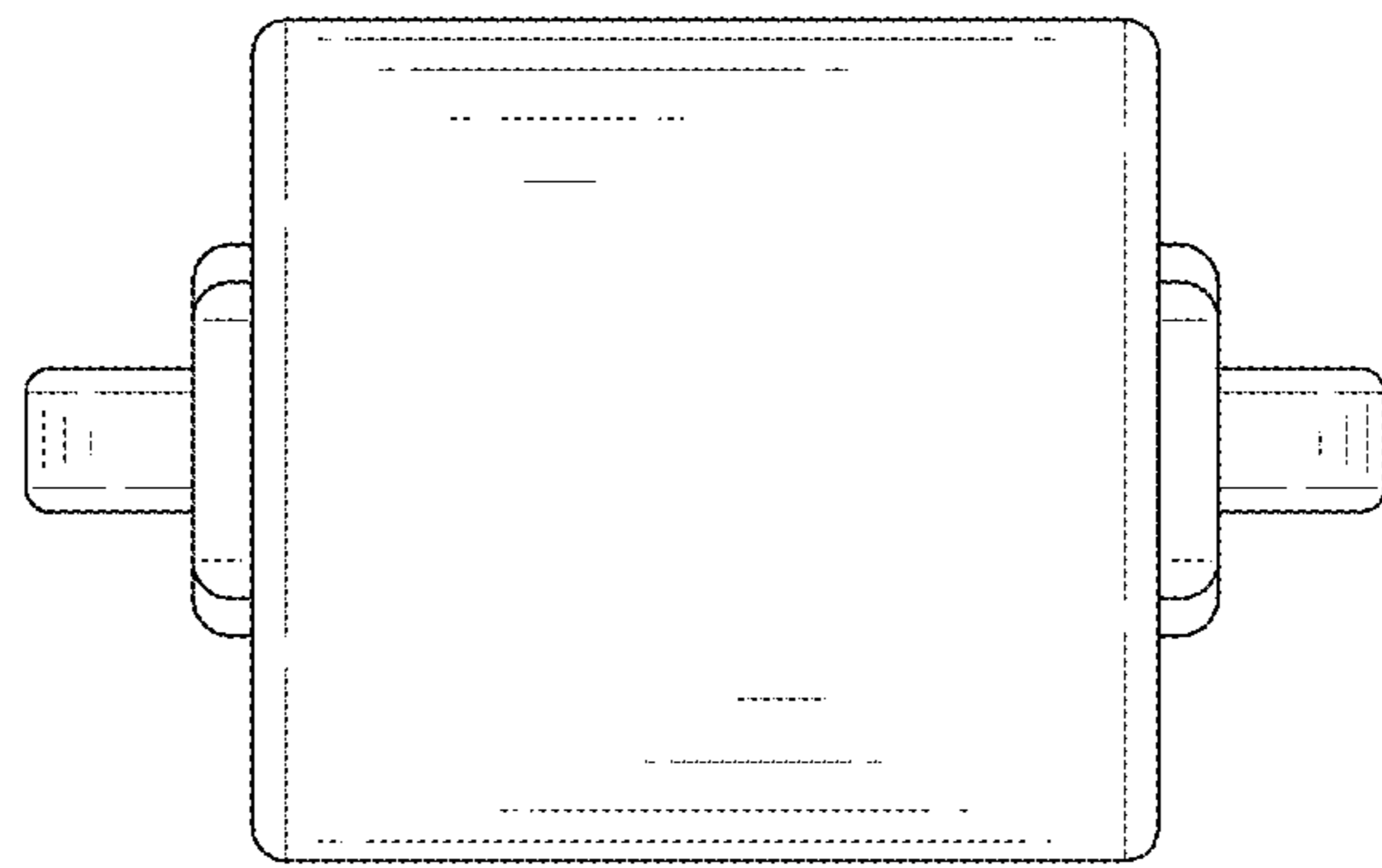


FIG. 8