



US00D838099S

(12) **United States Design Patent**
Kaufmann

(10) **Patent No.:** **US D838,099 S**
(45) **Date of Patent:** **** Jan. 15, 2019**

(54) **SLIDING COLLAR FOR A PARASOL**
(71) Applicant: **GLATZ AG**, Frauenfeld (CH)
(72) Inventor: **Ernst Kaufmann**, Müllheim (CH)
(**) Term: **15 Years**
(21) Appl. No.: **35/502,250**
(22) Filed: **Jul. 4, 2016**

5,964,235 A * 10/1999 Wang A45B 25/08
135/28
D465,915 S * 11/2002 Earnshaw D3/10
D503,272 S * 3/2005 Machin D3/10
7,082,953 B2 * 8/2006 Liu A45B 25/08
135/28
7,178,535 B2 * 2/2007 Eder A45B 25/06
135/135
D623,396 S * 9/2010 He D3/10
D631,243 S * 1/2011 Forthuber D3/10
D738,609 S * 9/2015 Ma D3/10

(Continued)

Primary Examiner — Manpreet S Matharu
Assistant Examiner — Holly E Thurman

(80) **Hague Agreement Data**

Int. Filing Date: **Jul. 4, 2016**
Int. Reg. No.: **DM/092128**
Int. Reg. Date: **Jul. 4, 2016**
Int. Reg. Pub. Date: **Jan. 6, 2017**

(57) **CLAIM**

I claim the ornamental design for a sliding collar for a parasol, as shown and described.

(51) **LOC (11) Cl.** **03-03**
(52) **U.S. Cl.**
USPC **D3/10**
(58) **Field of Classification Search**
USPC D3/5-17
CPC A63H 13/20; A45B 23/00; A45B 25/18;
A45B 25/06
See application file for complete search history.

DESCRIPTION

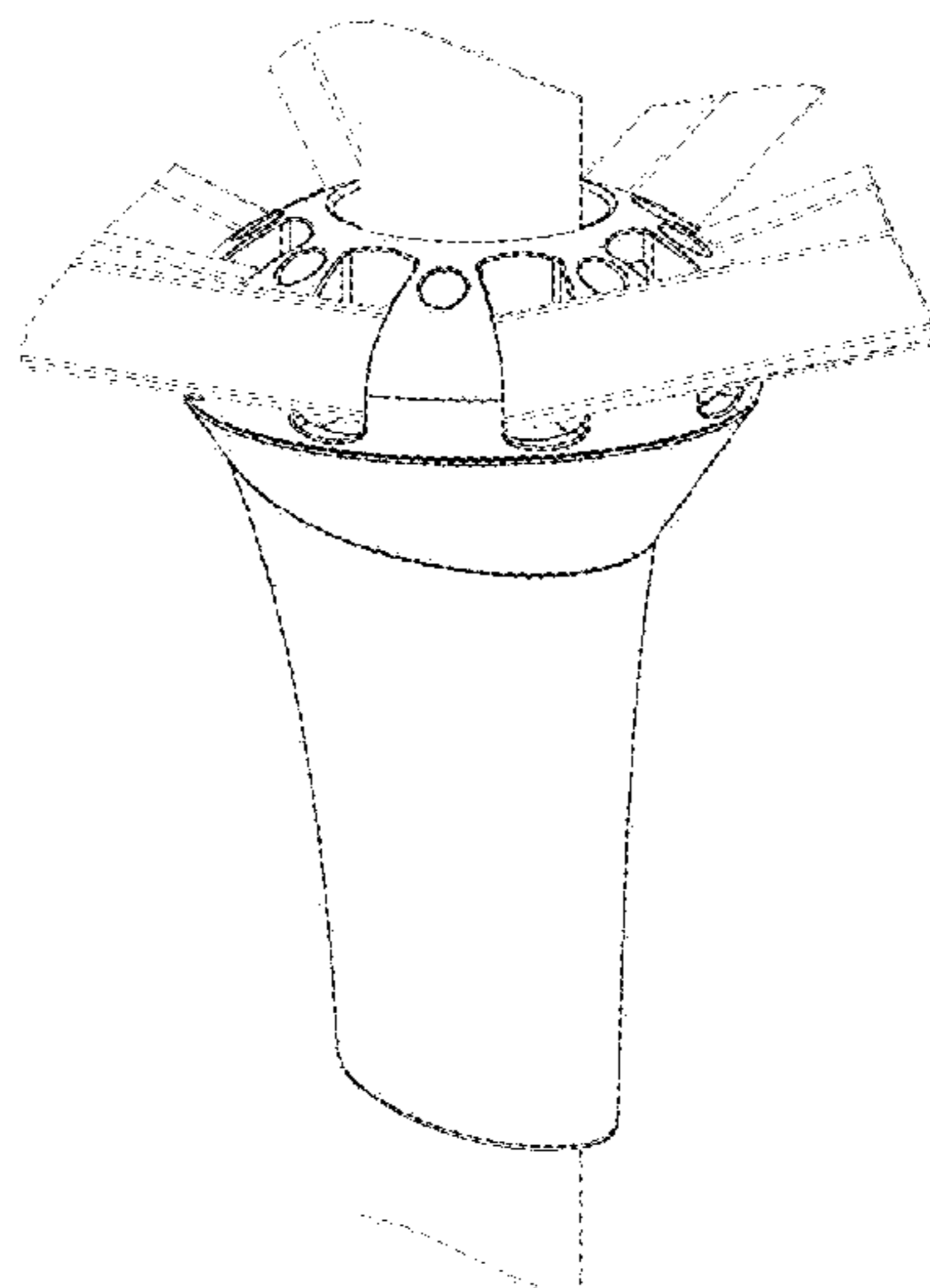
1.1 is a right side view of a sliding collar for a parasol showing a first embodiment of my new design;
1.2 is a front view thereof;
1.3 is a left side view thereof;
1.4 is a rear view thereof;
1.5 is a perspective top, right side view thereof;
2.1 is a right side view of a sliding collar for a parasol showing a second embodiment of my new design;
2.2 is a front view thereof;
2.3 is a left side view thereof;
2.4 is a rear view thereof;
2.5 is a perspective top, right side view thereof;
3.1 is a right side view of a sliding collar for a parasol showing a third embodiment of my new design;
3.2 is a front view thereof;
3.3 is a left side view thereof;
3.4 is a rear view thereof; and
3.5 is a perspective top, right side view thereof.
The broken line showing of a pole and ribs is for the purpose of illustrating environmental structure and forms no part of the claimed design.

(56) **References Cited**

U.S. PATENT DOCUMENTS

174,880 A * 3/1876 Warfield A45B 25/06
135/39
501,089 A * 7/1893 Lichtenstein A45B 25/06
135/28
D321,779 S * 11/1991 Ma D3/10
5,357,994 A * 10/1994 Chung A45B 25/08
135/22
5,553,634 A * 9/1996 Yang A45B 19/10
135/25.3
5,566,699 A * 10/1996 Kou A45B 25/08
135/28
5,911,233 A * 6/1999 Wu A45B 25/08
135/28

1 Claim, 15 Drawing Sheets



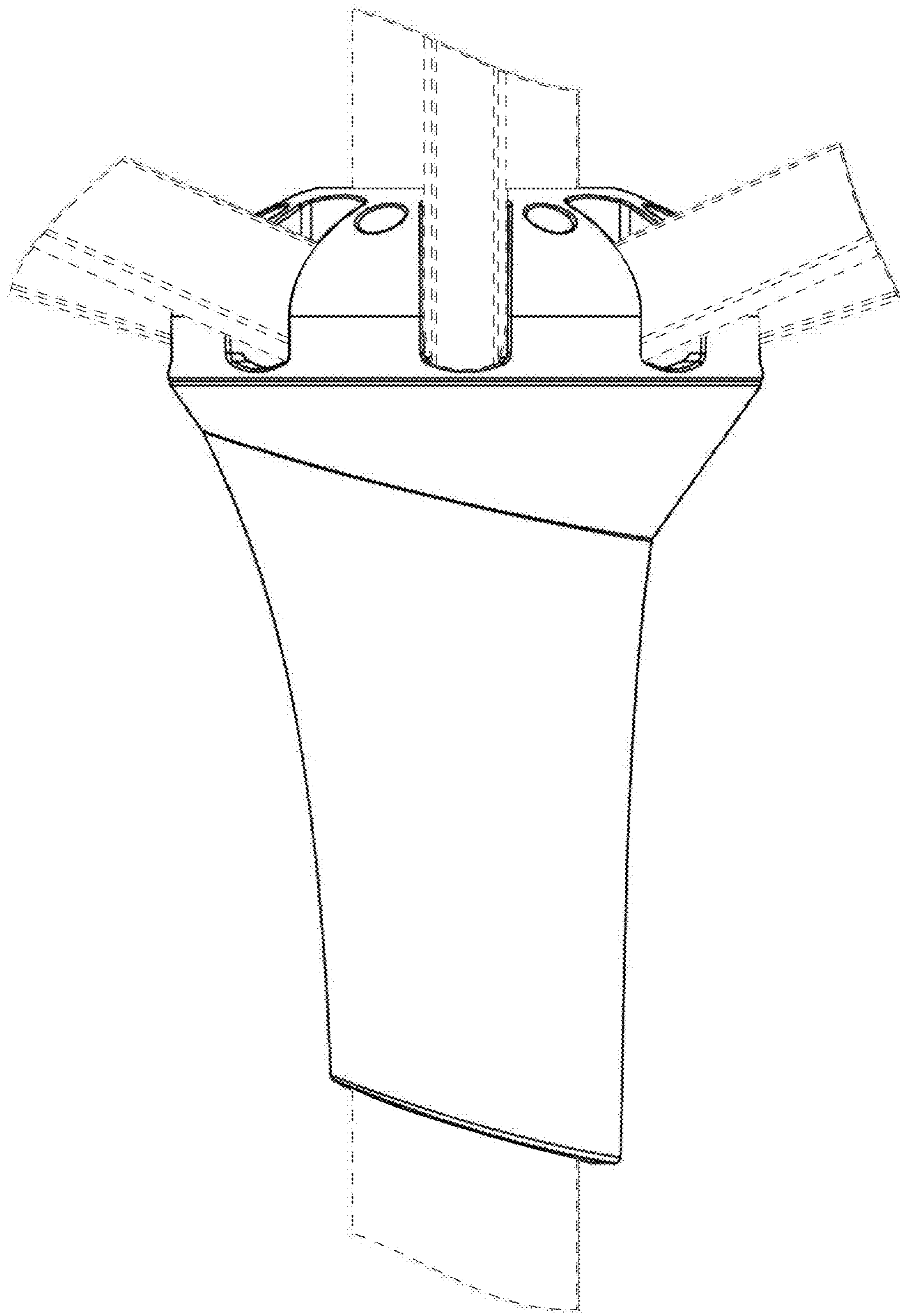
(56)

References Cited

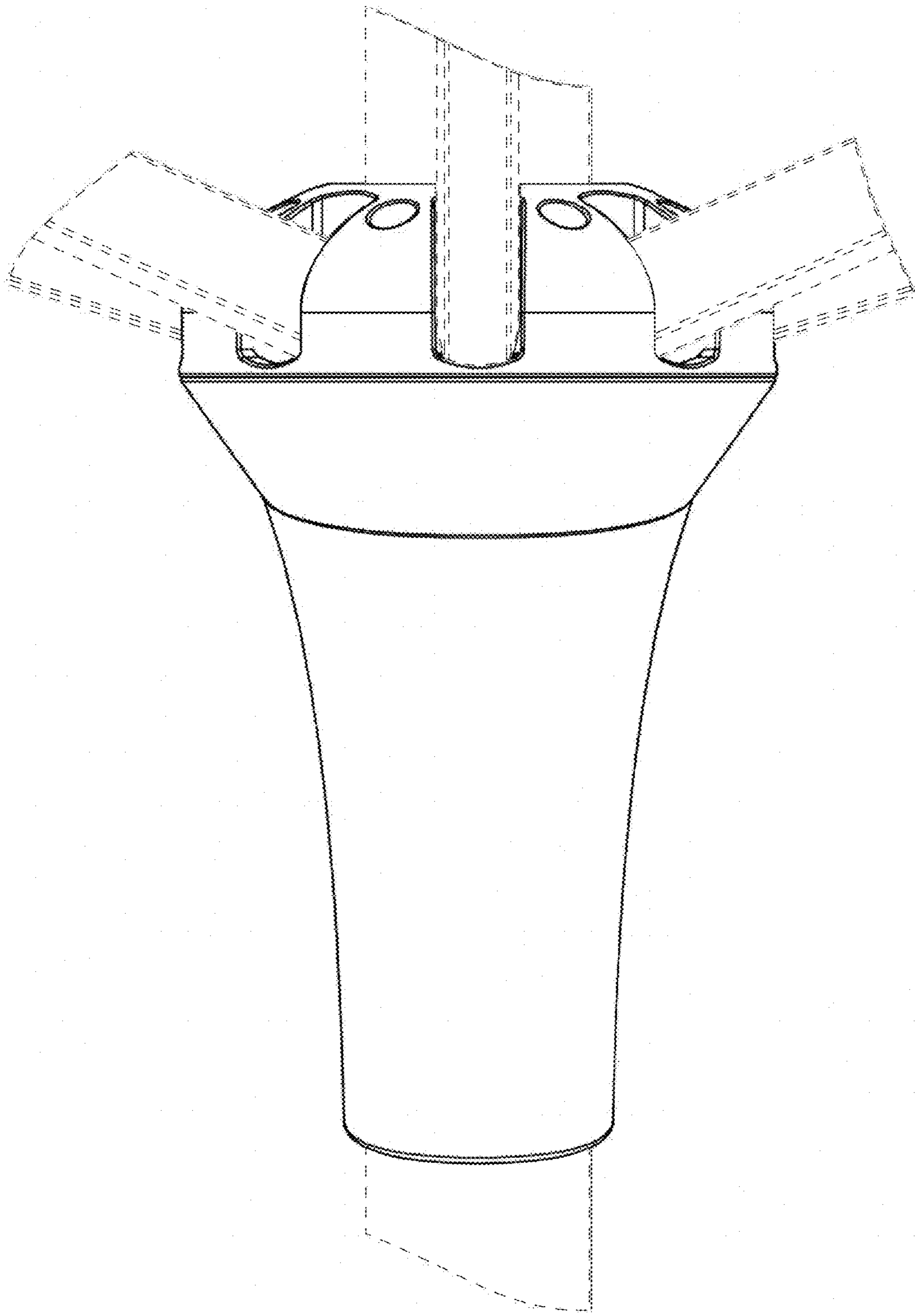
U.S. PATENT DOCUMENTS

2008/0121256 A1* 5/2008 Zonsius A45B 23/00
135/15.1

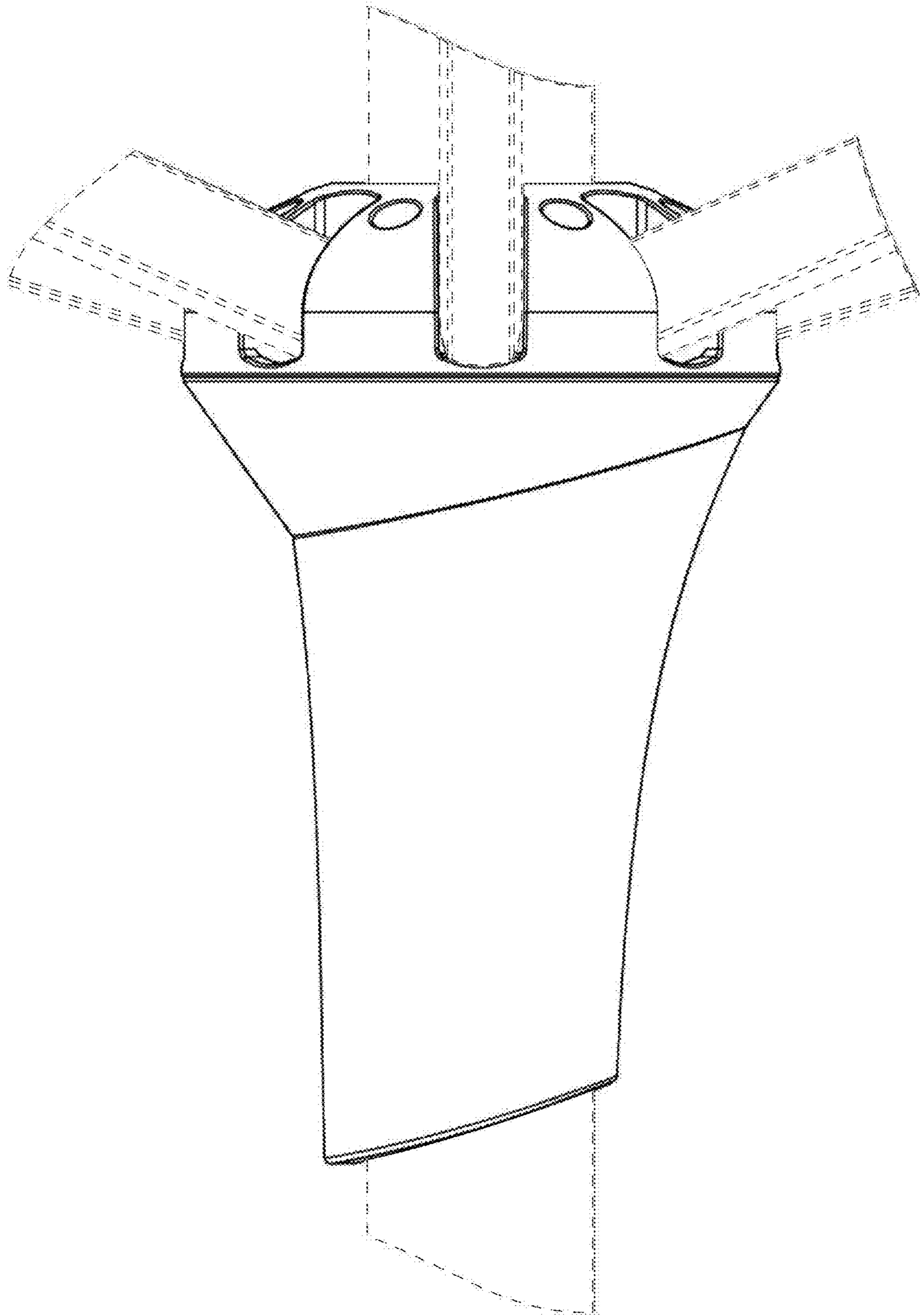
* cited by examiner



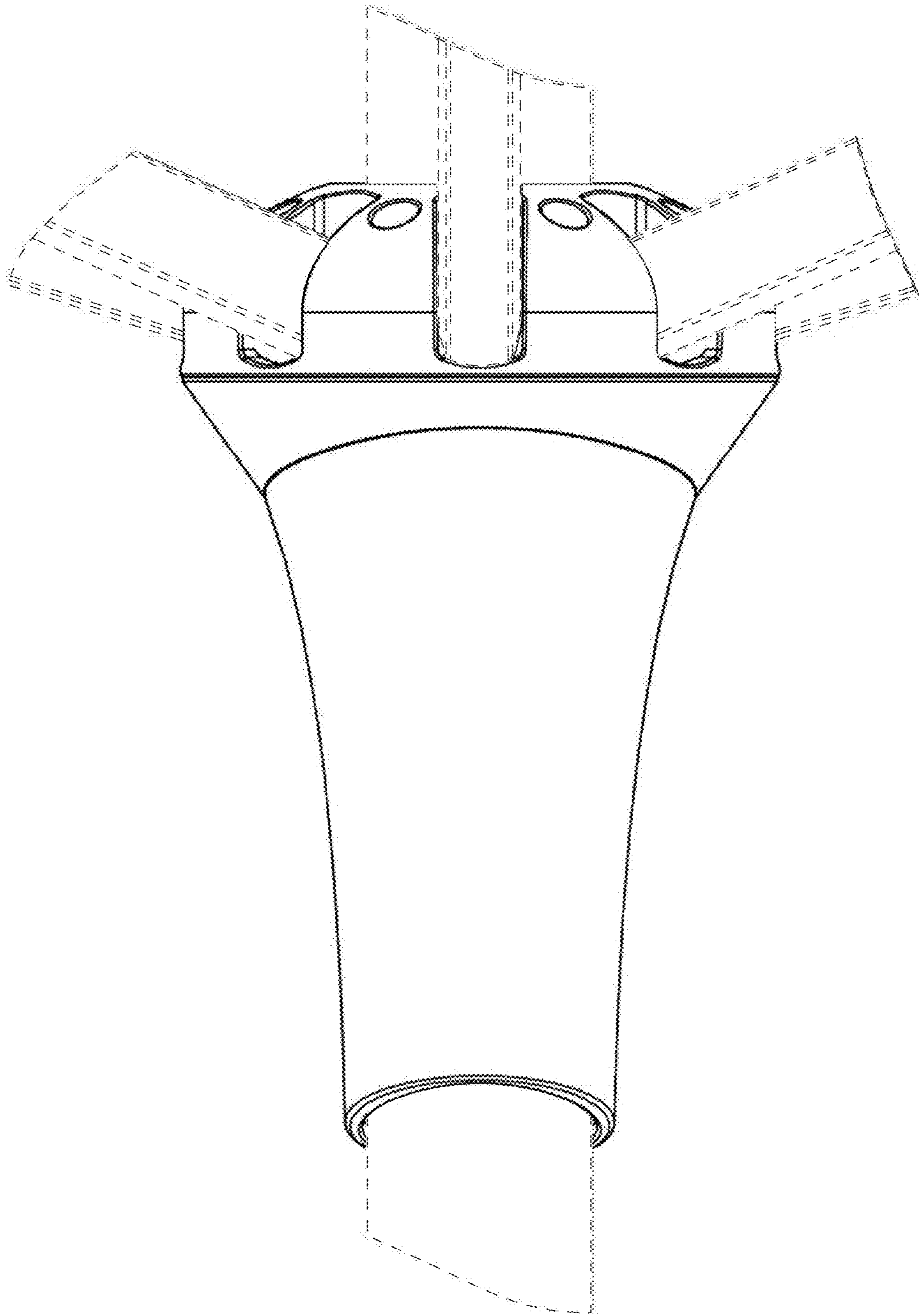
1.1



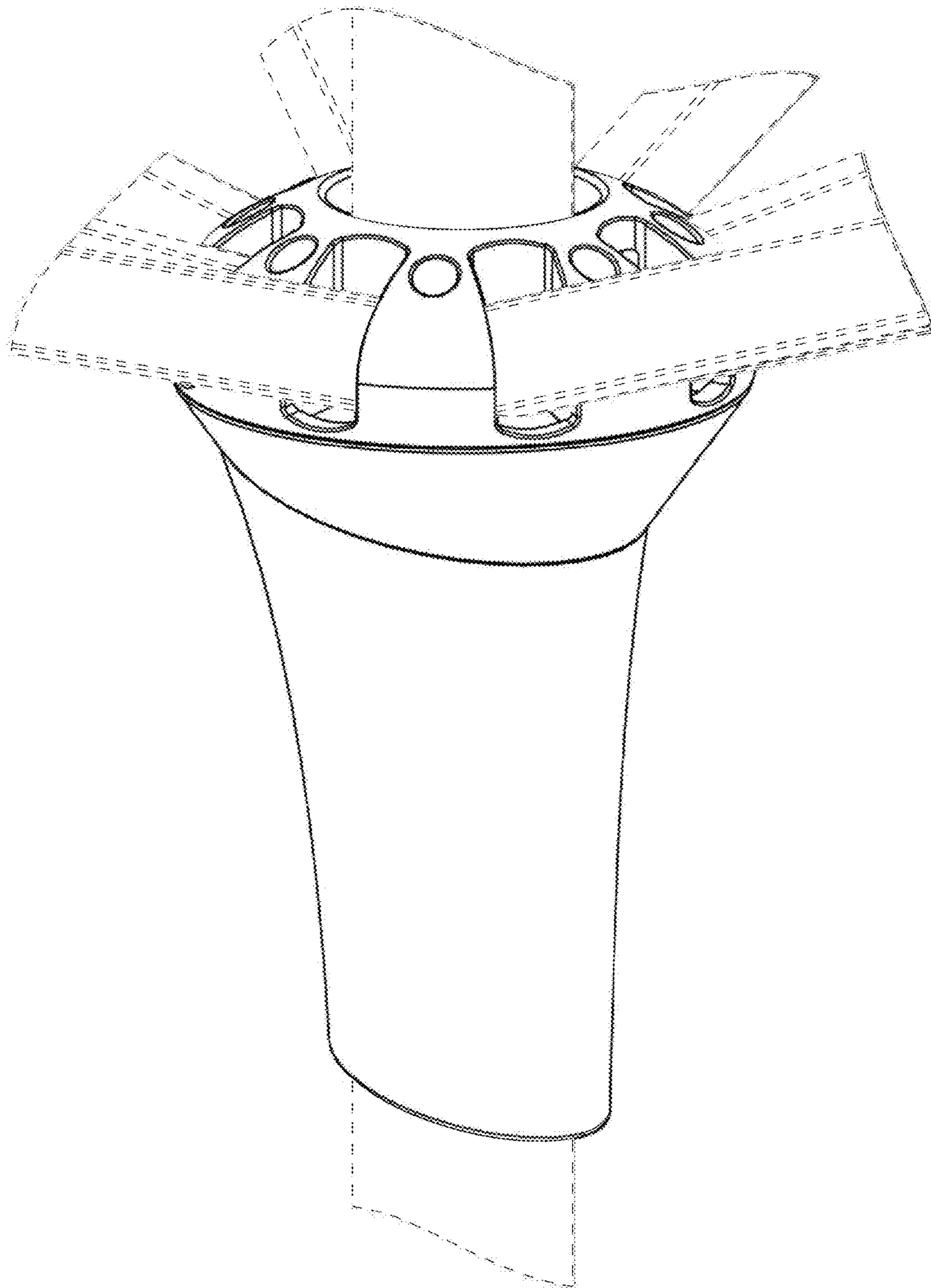
1.2



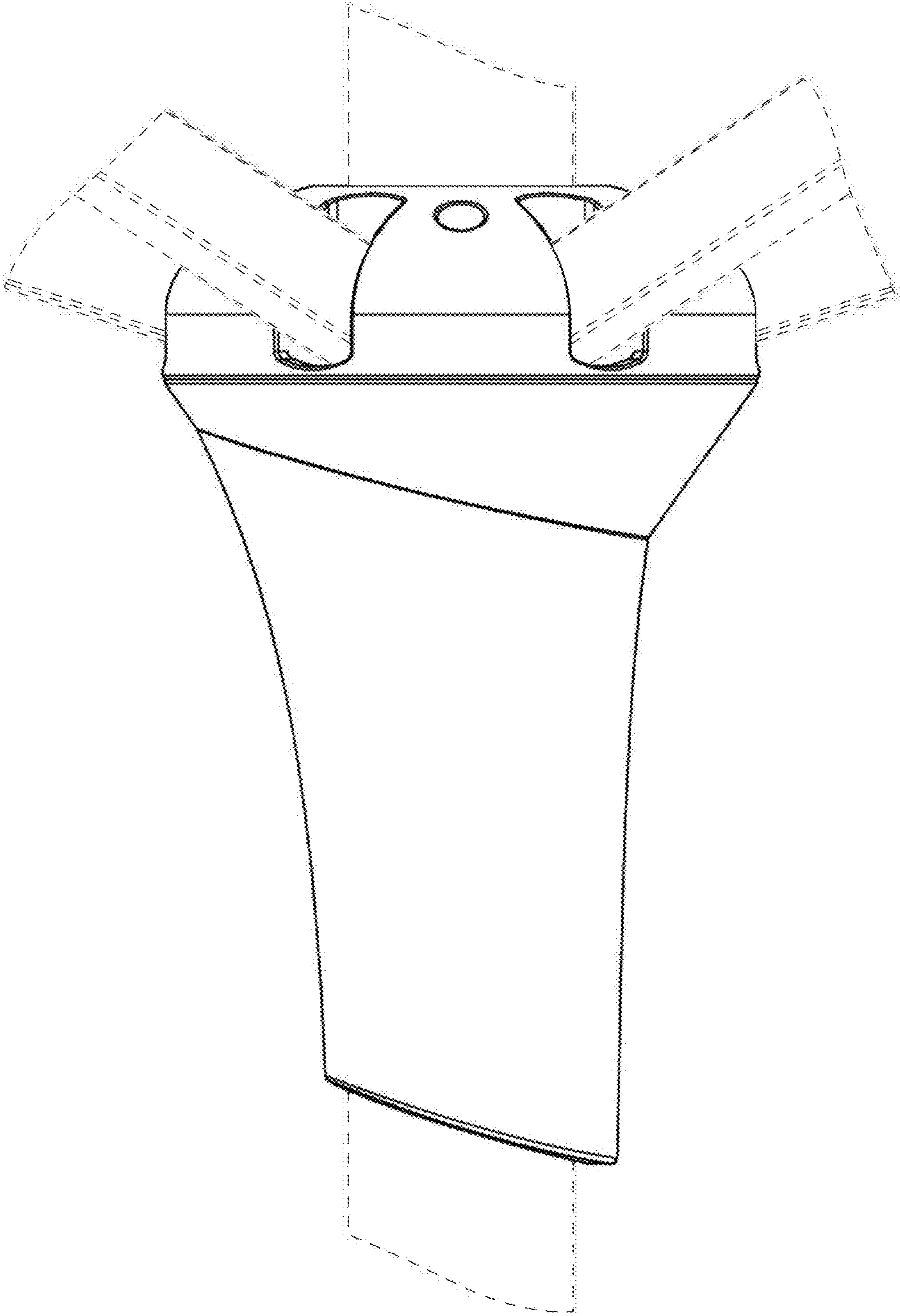
1.3



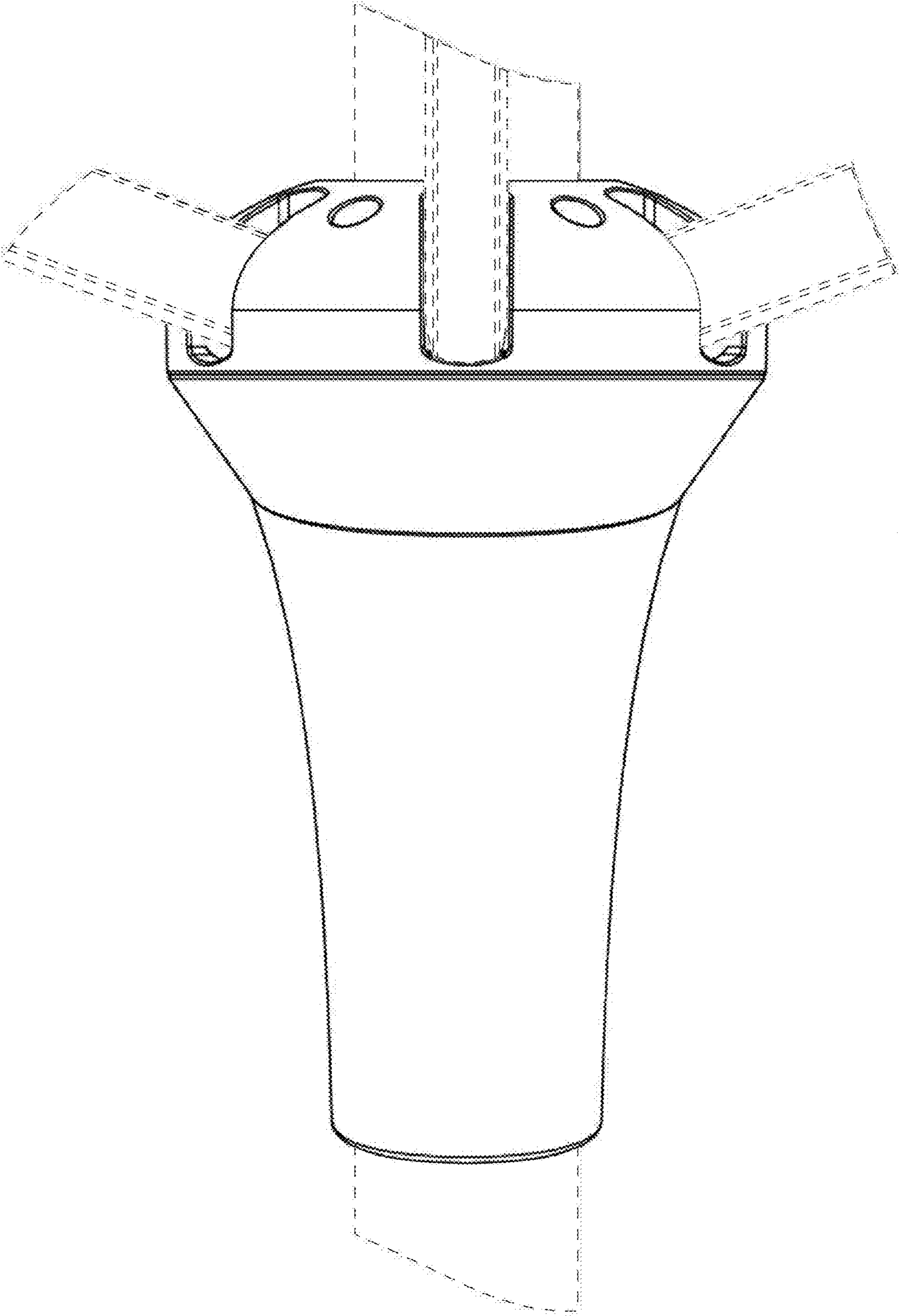
1.4



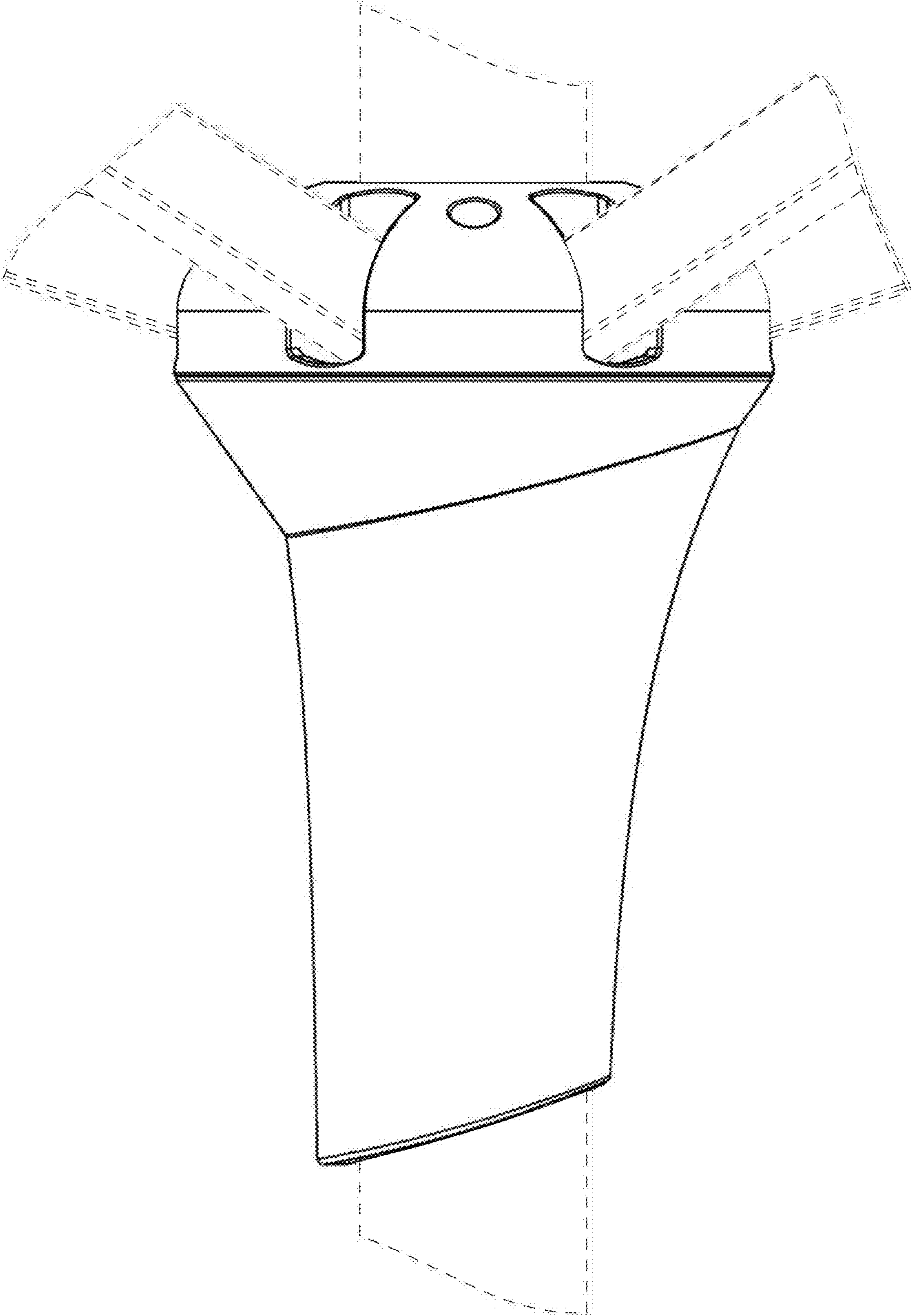
1.5



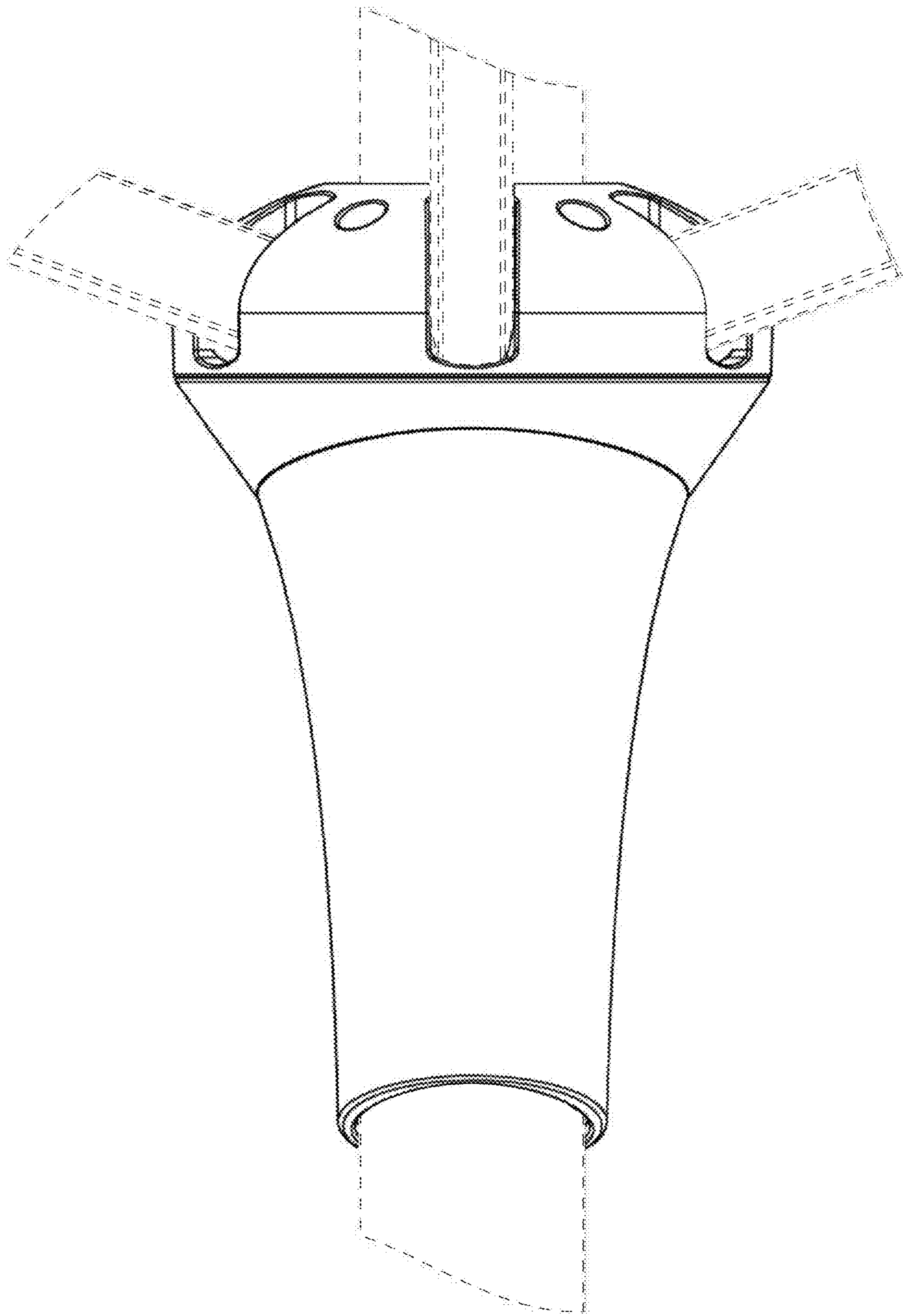
2.1



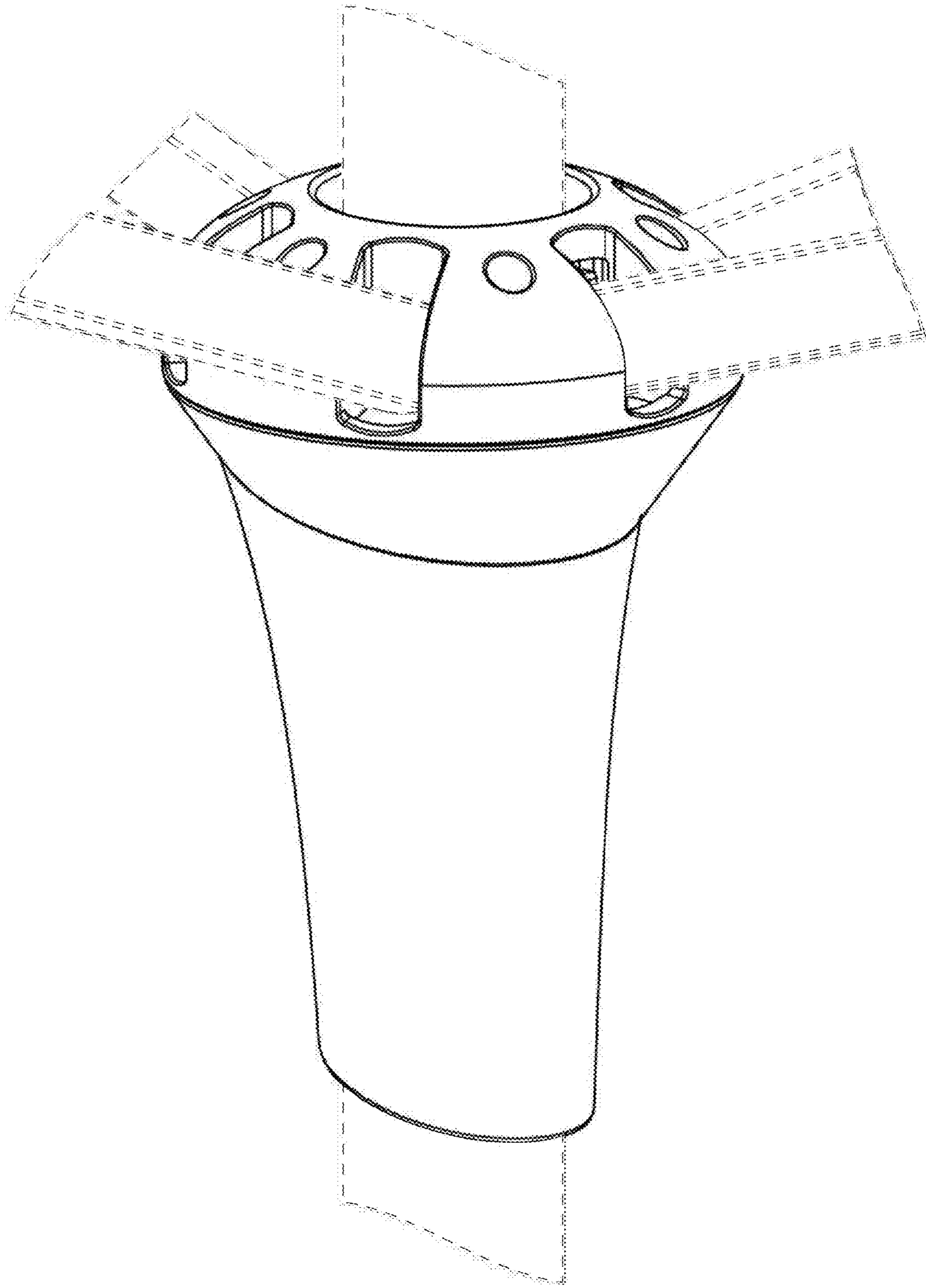
2.2



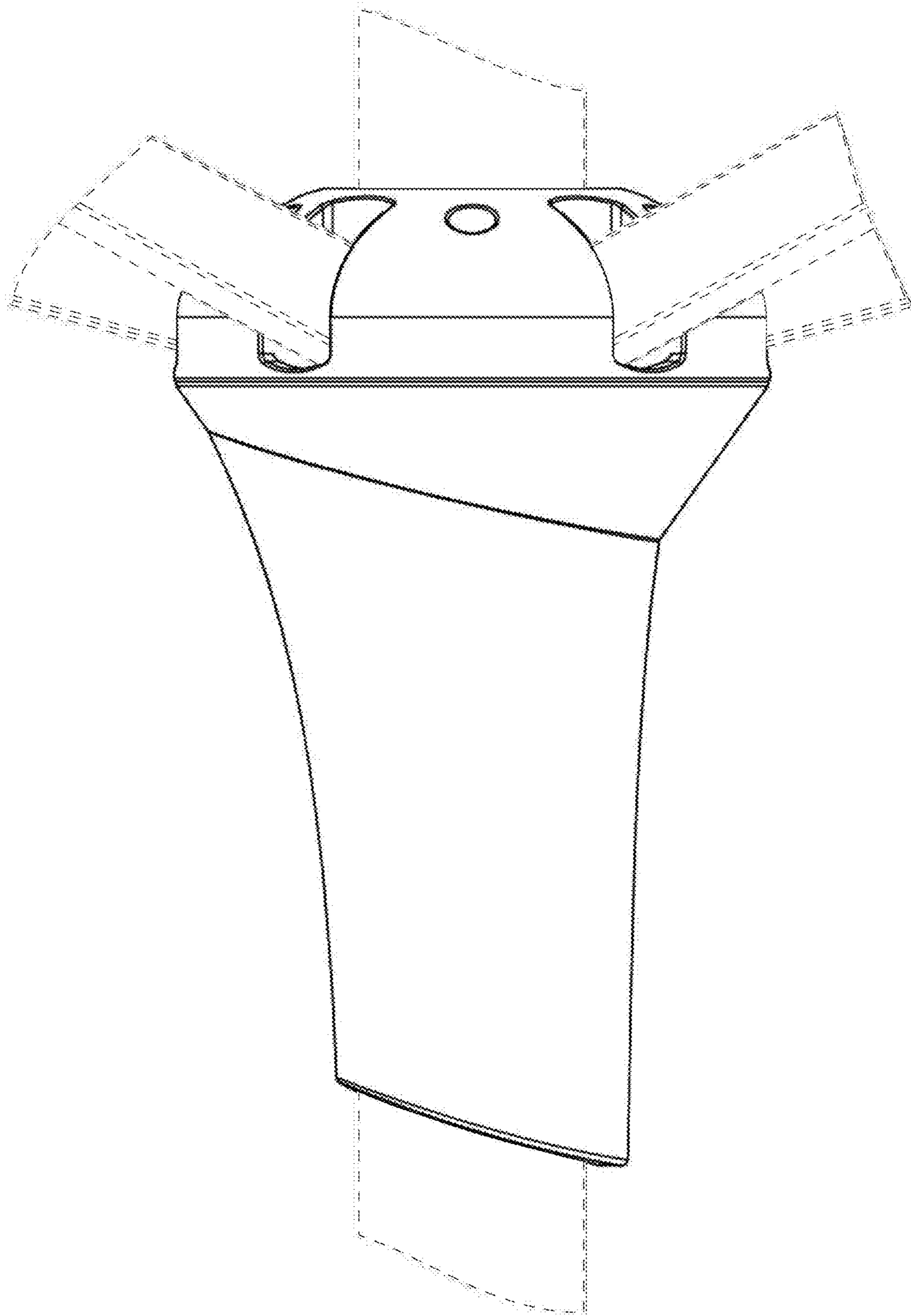
2.3



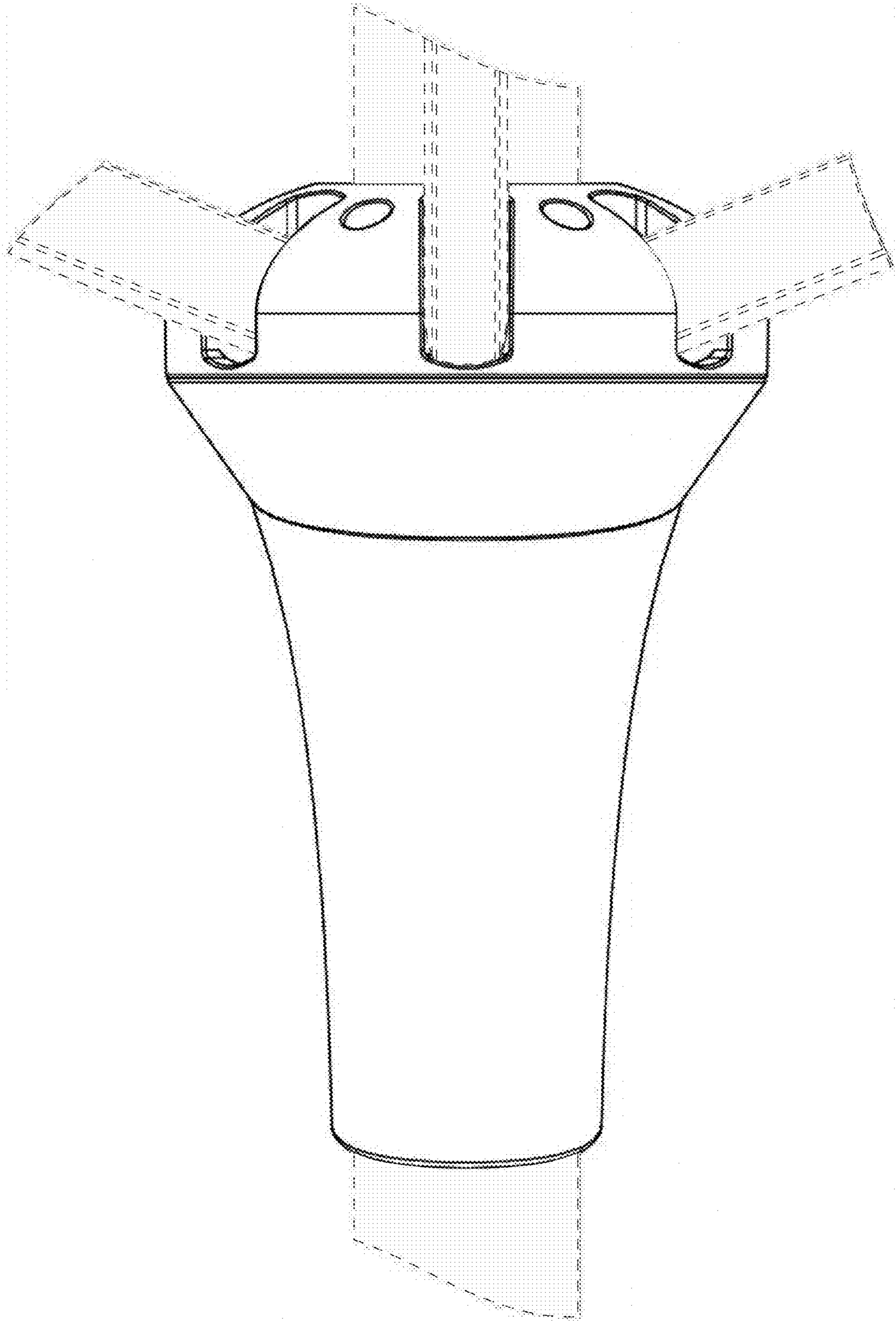
2.4



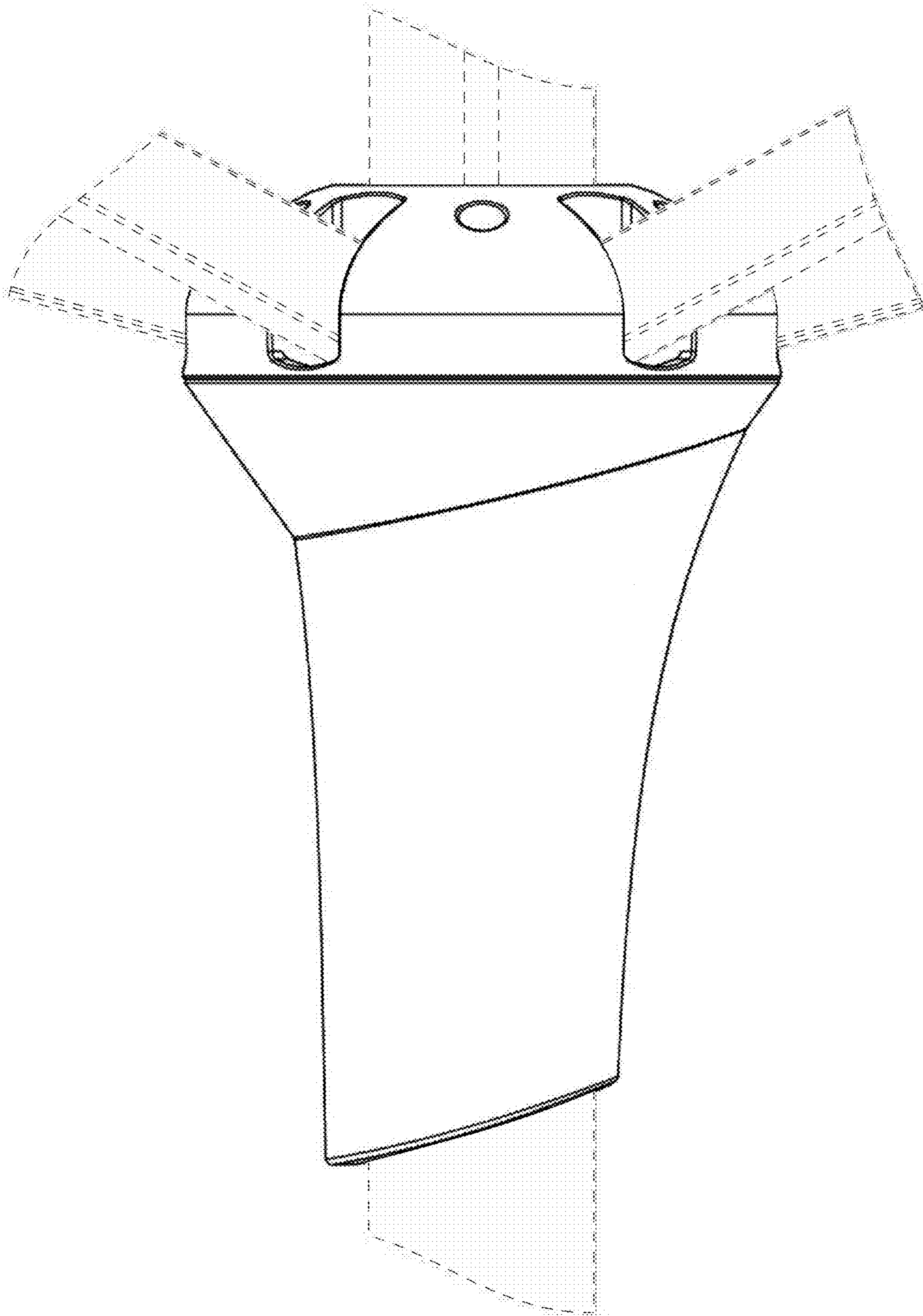
2.5



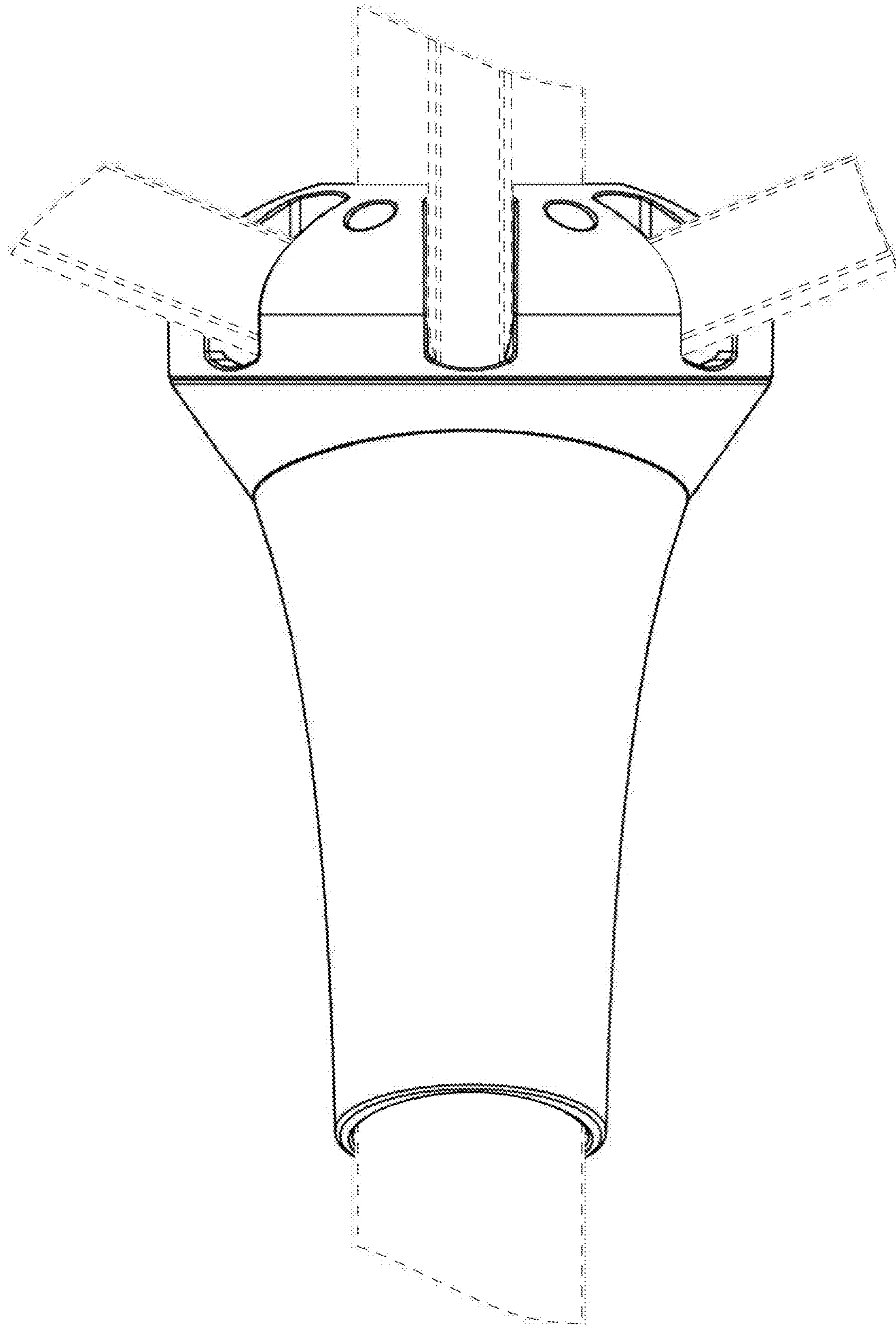
3.1



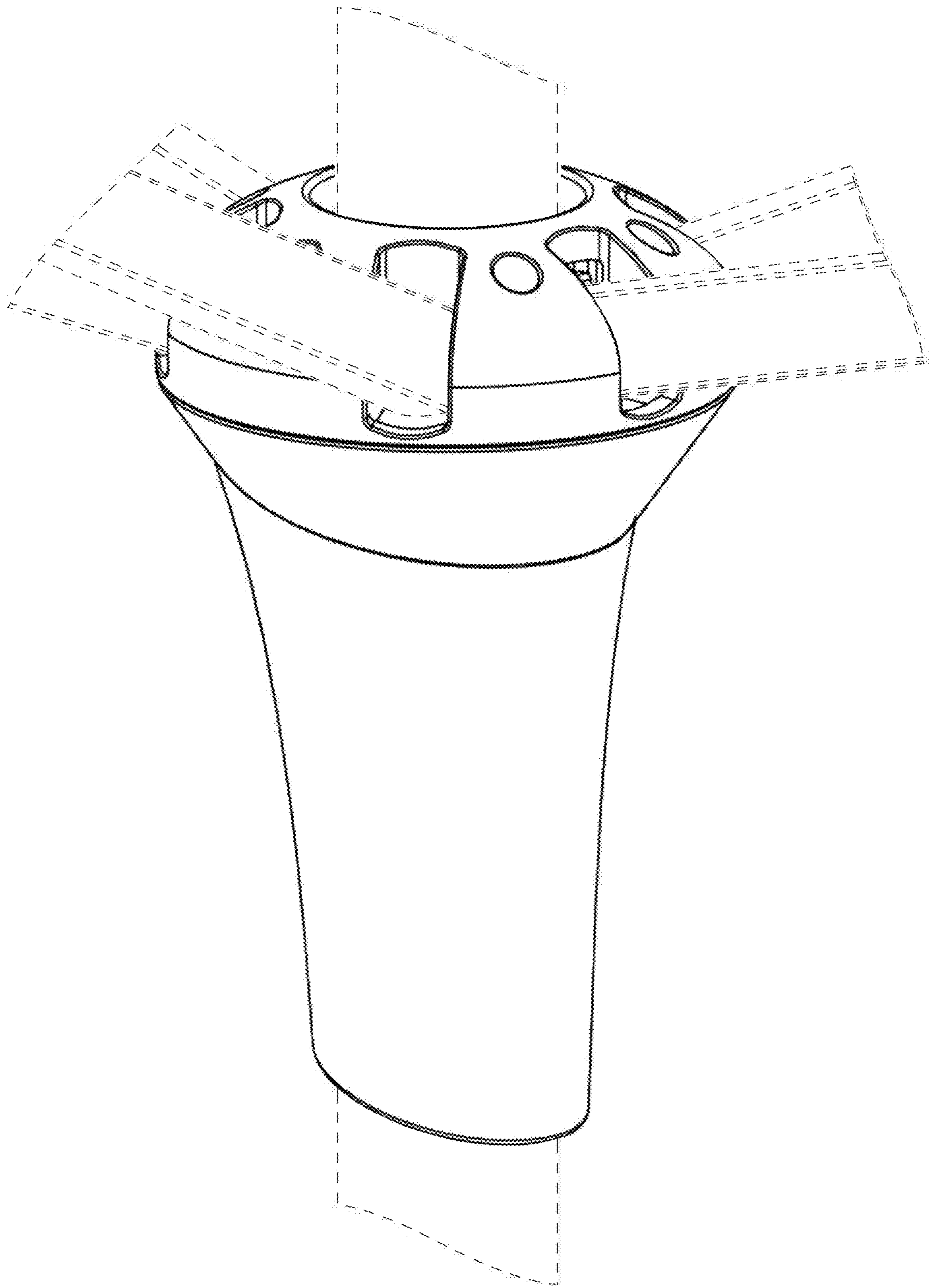
3.2



3.3



3.4



3.5