



US00D838093S

(12) **United States Design Patent**
Nakamura

(10) **Patent No.:** **US D838,093 S**
(45) **Date of Patent:** **** Jan. 15, 2019**

- (54) **SHOE**
- (71) Applicant: **CUBISM INC.**, Tokyo (JP)
- (72) Inventor: **Hiroki Nakamura**, Tokyo (JP)
- (73) Assignee: **Cubism Inc.**, Tokyo (JP)
- (**) Term: **15 Years**
- (21) Appl. No.: **29/621,563**
- (22) Filed: **Oct. 10, 2017**

D154,507 S *	7/1949	Page	D2/912
D167,008 S *	6/1952	Spilman	D2/924
D169,956 S *	7/1953	Baroumes	D2/924
D206,222 S *	11/1966	Mostile	36/59 R
D563,642 S *	3/2008	Horne	D2/969
D564,194 S *	3/2008	Horne	D2/969
D635,746 S *	4/2011	Cofinco	D2/896
D649,752 S *	12/2011	Kampff	D2/911
8,302,233 B2 *	11/2012	Spanks	A43B 1/0072 12/142 F
D709,272 S *	7/2014	Del Biondi	D2/923
D764,152 S *	8/2016	Zasloff	D2/902

(Continued)

Related U.S. Application Data

- (63) Continuation-in-part of application No. 29/558,791, filed on Mar. 22, 2016.
- (51) **LOC (11) Cl.** **02-04**
- (52) **U.S. Cl.**
USPC **D2/969**; D2/972
- (58) **Field of Classification Search**
USPC D2/896, 916-918, 925-942, 946,
D2/968-969, 970-971, 900, 923, 924,
D2/943, 972, 976
CPC A43B 21/00; A43B 21/02; A43B 21/06;
A43B 1/0036; A43B 1/0045; A43B 9/14;
A43B 13/10; A43B 13/12; A43B 23/06;
A43B 23/07; A43B 5/12; A43B 1/00;
A43B 1/0081; A43B 1/14; A43B 3/12;
A43B 7/06; A43B 7/08
See application file for complete search history.

(56) **References Cited**

U.S. PATENT DOCUMENTS

D54,897 S *	4/1920	Charest	D2/900
D121,626 S *	7/1940	Shields	D2/922
D141,582 S *	6/1945	Margouleff	D2/921
D142,281 S *	8/1945	Ferriso	D2/921
D148,202 S *	12/1947	Underberger	D2/924
D148,340 S *	1/1948	Wilson	D2/924

OTHER PUBLICATIONS

Visvim, Huron Mesh Moc-Folk for FW16, as posted at HighSnobiety.com [online], posted on Aug. 4, 2016, [site visited Feb. 23, 2018]. Available from the Internet, <URL: <https://www.highsnobiety.com/2016/08/04/visvim-huron-mesh-moc-folk/>>.*

(Continued)

Primary Examiner — Jeffrey D Asch
Assistant Examiner — Rebekah A Caruso
(74) *Attorney, Agent, or Firm* — Soroker Agmon Nordman

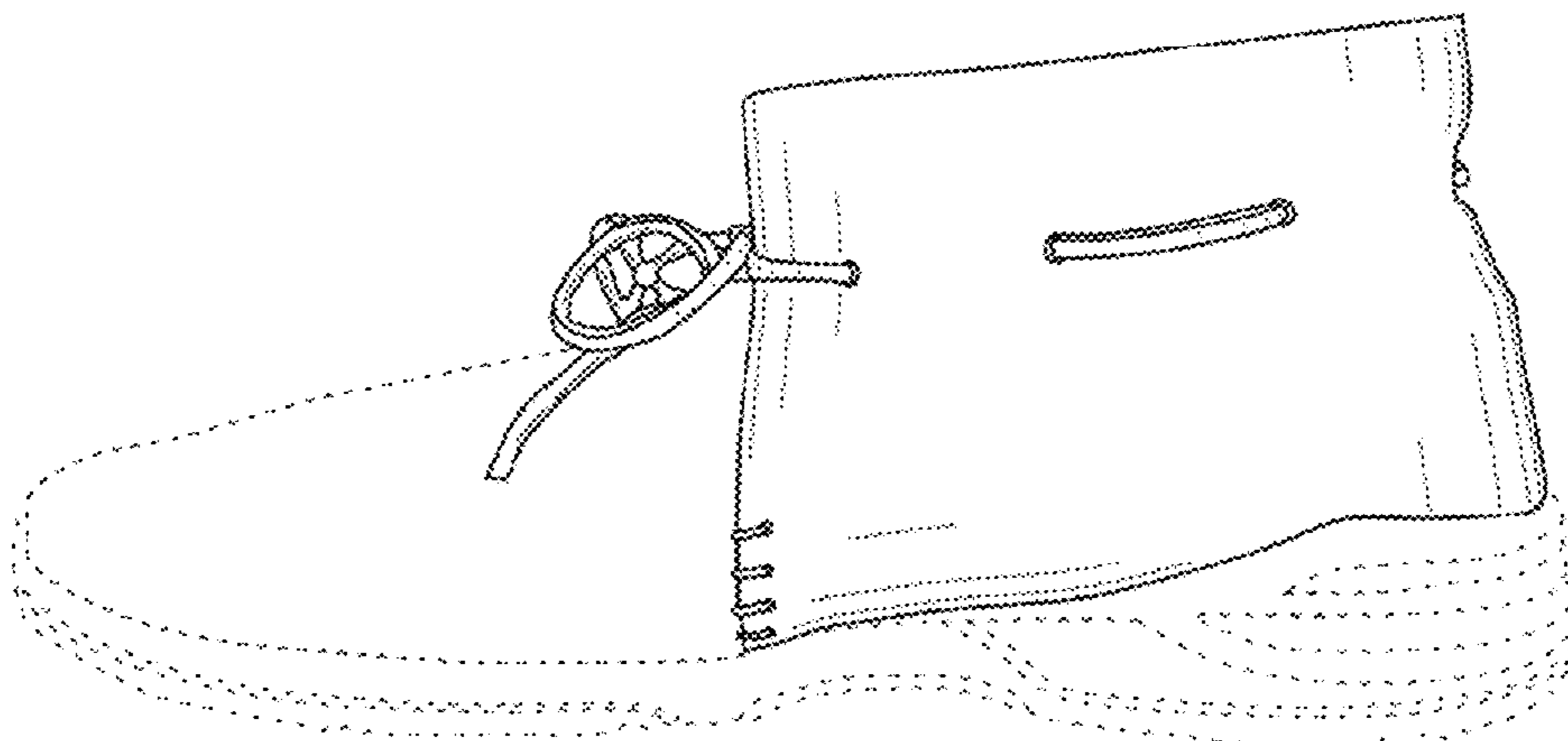
(57) **CLAIM**

The ornamental design for a shoe, as shown and described.

DESCRIPTION

FIG. 1 is a right side view of the shoe in my new design; FIG. 2 is a left side view of the shoe thereof; FIG. 3 is a front view of the shoe thereof; FIG. 4 is a bottom view of the shoe thereof; FIG. 5 is a rear view of the shoe thereof; and, FIG. 6 is a top view of the shoe thereof. The broken line showing of a portion of the shoe is included for the purpose of illustrating environment that forms no part of the claimed design.

1 Claim, 6 Drawing Sheets



(56)

References Cited

U.S. PATENT DOCUMENTS

D785,300 S * 5/2017 Ursomarzo D2/927

OTHER PUBLICATIONS

“VISVIM Fall/Winter 2016 Collection,” Huron Moc-Folk pictured therein, as posted at HighFashionLiving.com [online], posted on Oct. 24, 2016, [site visited Feb. 23, 2018]. Available from the Internet, <URL: <http://highfashionliving.com/visvim-fallwinter-2016-collection/>>.*

Visvim, Huron Moe-Folk Suede & Leather Sneakers, as posted et Barneys.com [online], no posting date available, (site visited u Jul. 20, 2017). Available on the Internet, <URL: <http://www.barneys.com/product/visvim-huron-moc-folk-suede---26-leathersneakers-504506415.html>>.

* cited by examiner

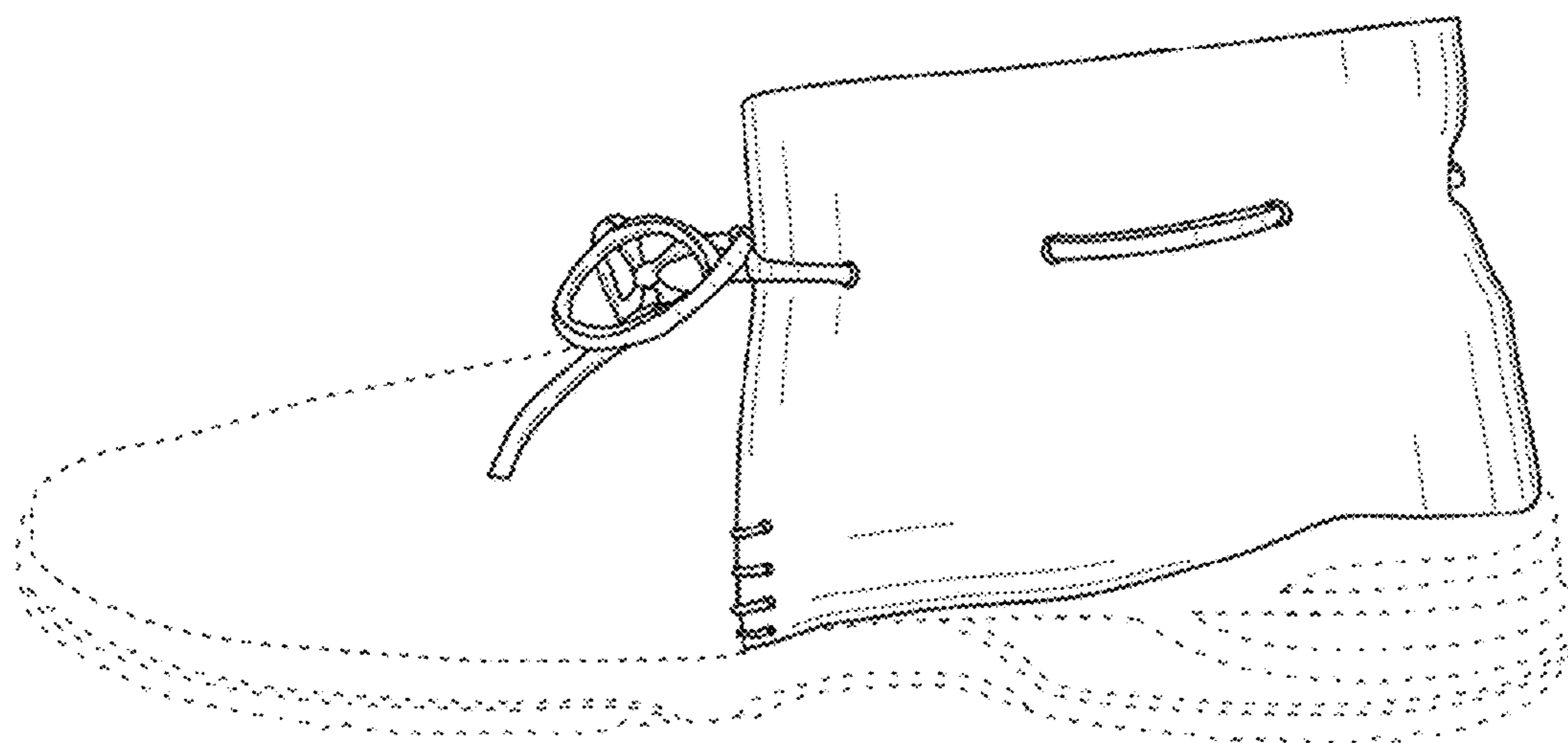


FIG. 1

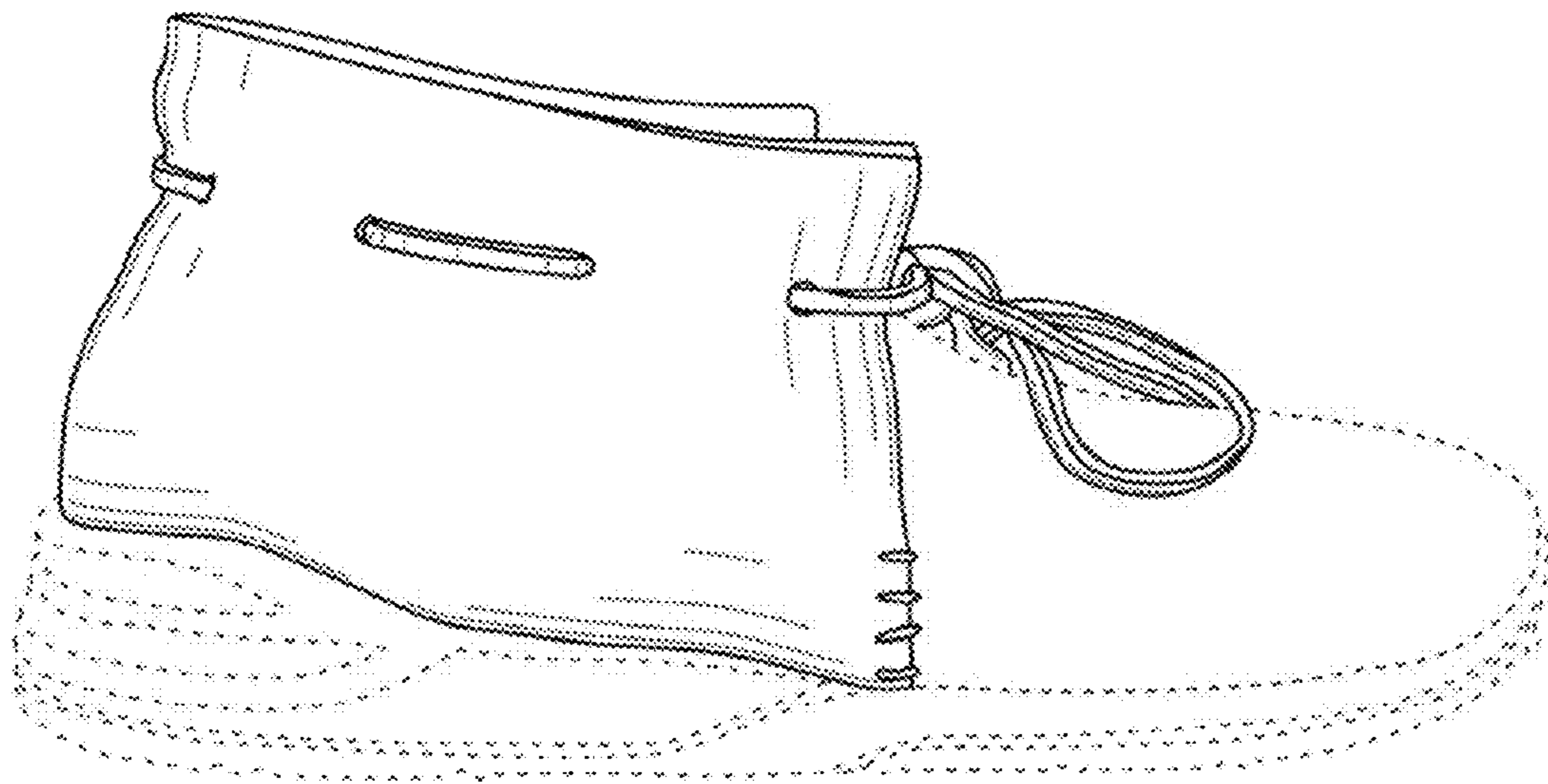


FIG. 2

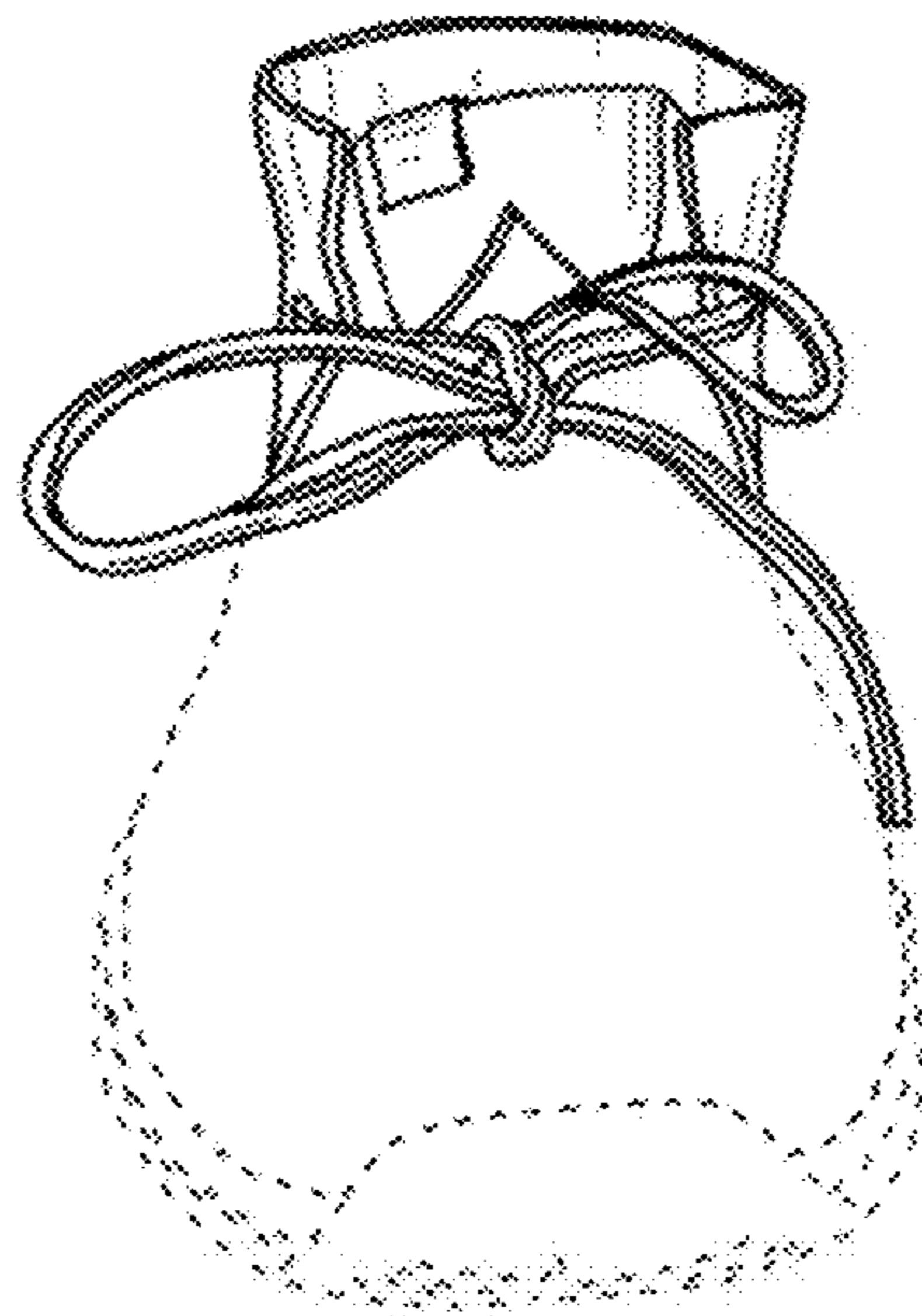


FIG. 3

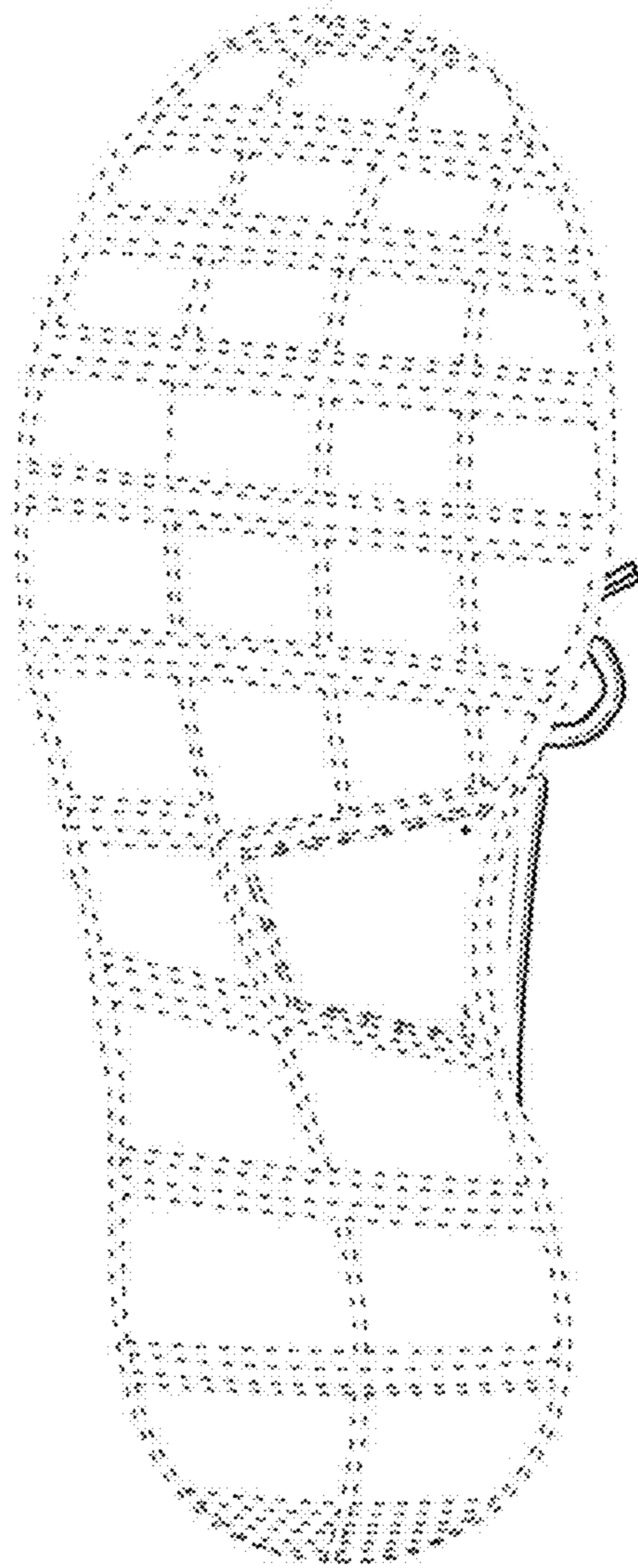


FIG. 4

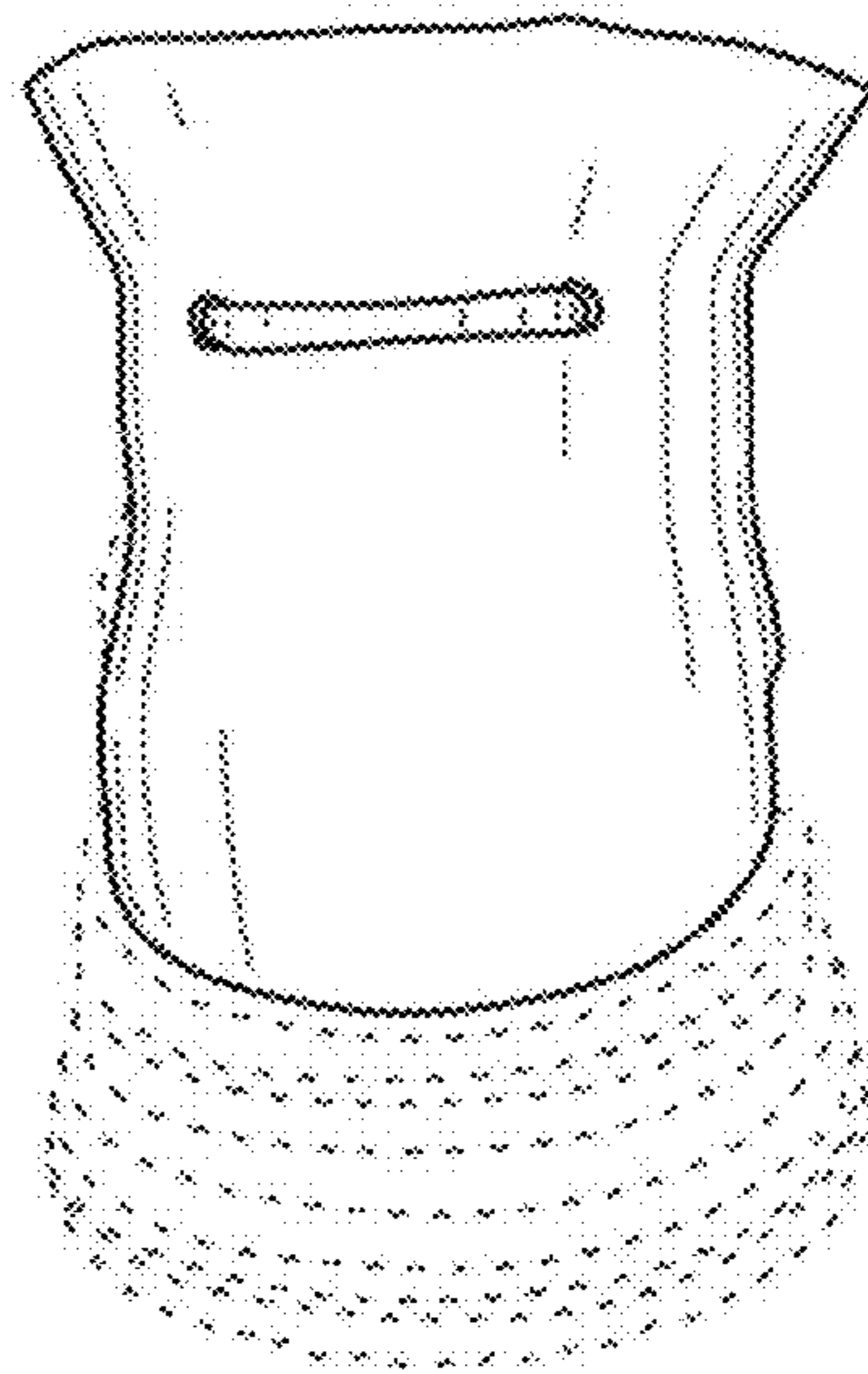


FIG. 5

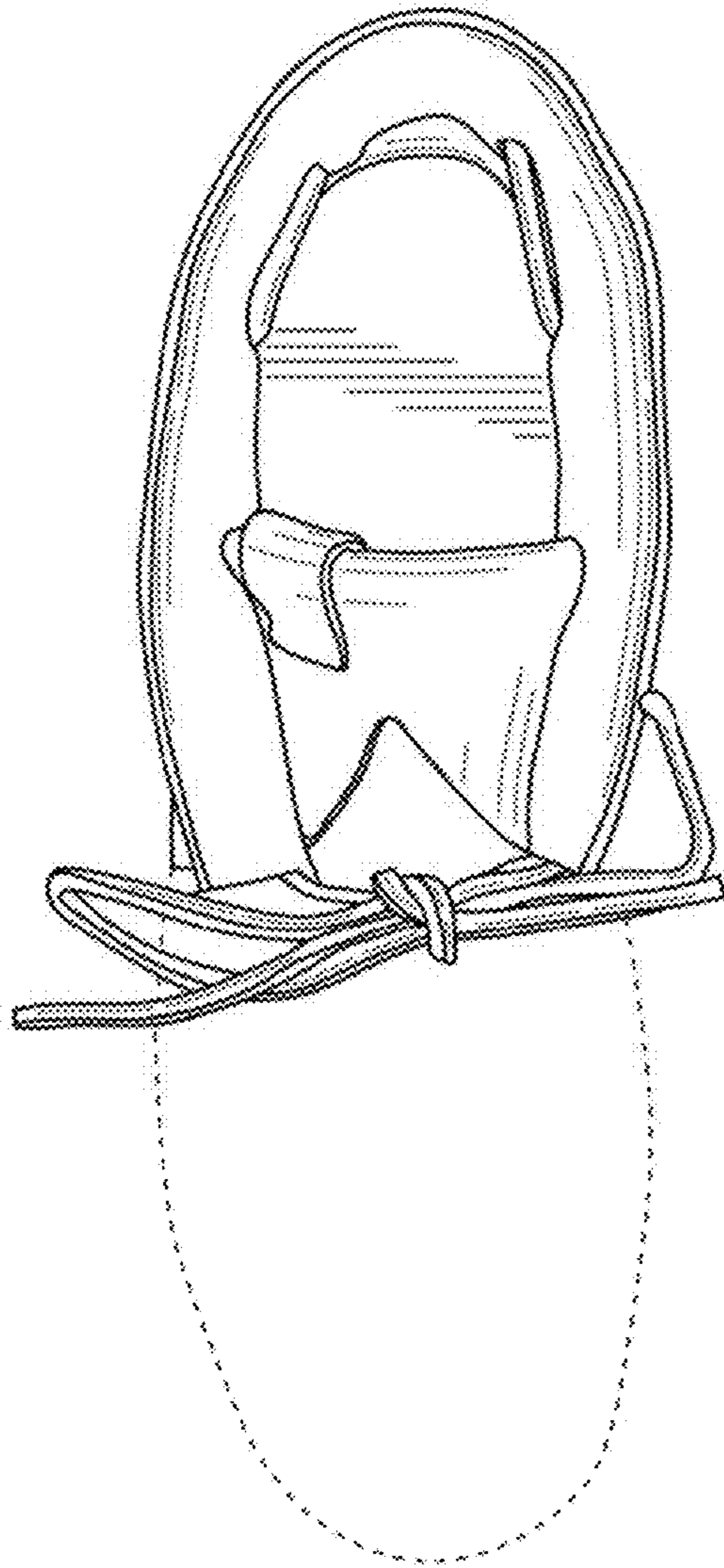


FIG. 6