



US00D838089S

(12) **United States Design Patent**  
**Celin et al.**

(10) **Patent No.:** **US D838,089 S**

(45) **Date of Patent:** **\*\* Jan. 15, 2019**

(54) **SHOE**

(71) Applicant: **Consolidated Shoe Company, Inc.**,  
Lynchburg, VA (US)

(72) Inventors: **Maurizio Celin**, Melide (CH); **William A. Carrington**, Lynchburg, VA (US)

(73) Assignee: **Consolidated Shoe Company, Inc.**,  
Lynchburg, VA (US)

(\*\*) Term: **15 Years**

(21) Appl. No.: **29/644,593**

(22) Filed: **Apr. 19, 2018**

**Related U.S. Application Data**

(63) Continuation of application No. 29/600,544, filed on  
Apr. 13, 2017, now Pat. No. Des. 818,674.

(51) **LOC (11) Cl.** ..... **02-04**

(52) **U.S. Cl.**  
USPC ..... **D2/916**

(58) **Field of Classification Search**  
USPC ..... D2/896-900, 916-918, 925, 946, 969,  
D2/971

CPC ..... A43B 3/12; A43B 3/10  
See application file for complete search history.

(56) **References Cited**

**U.S. PATENT DOCUMENTS**

D90,338 S \* 7/1933 Roberts ..... D2/918  
D172,251 S \* 5/1954 Salmeri ..... D2/918

D296,608 S \* 7/1988 Maciel ..... D2/916  
D306,930 S \* 4/1990 Combs ..... D2/916  
D332,516 S \* 1/1993 Middleton ..... D2/916  
D348,763 S \* 7/1994 Judd ..... D2/916  
D370,555 S \* 6/1996 Tong ..... D2/916  
D564,748 S \* 3/2008 Belley ..... D2/916  
D696,500 S \* 12/2013 Hunt ..... D2/916

\* cited by examiner

*Primary Examiner* — Rashida C. Walshon

(74) *Attorney, Agent, or Firm* — Sughrue Mion, PLLC

(57) **CLAIM**

The ornamental design for a shoe, as shown and described.

**DESCRIPTION**

FIG. 1 is a front perspective view of the shoe of our new design;

FIG. 2 is a front view thereof;

FIG. 3 is a rear view thereof;

FIG. 4 is a right side view thereof;

FIG. 5 is a rear view thereof;

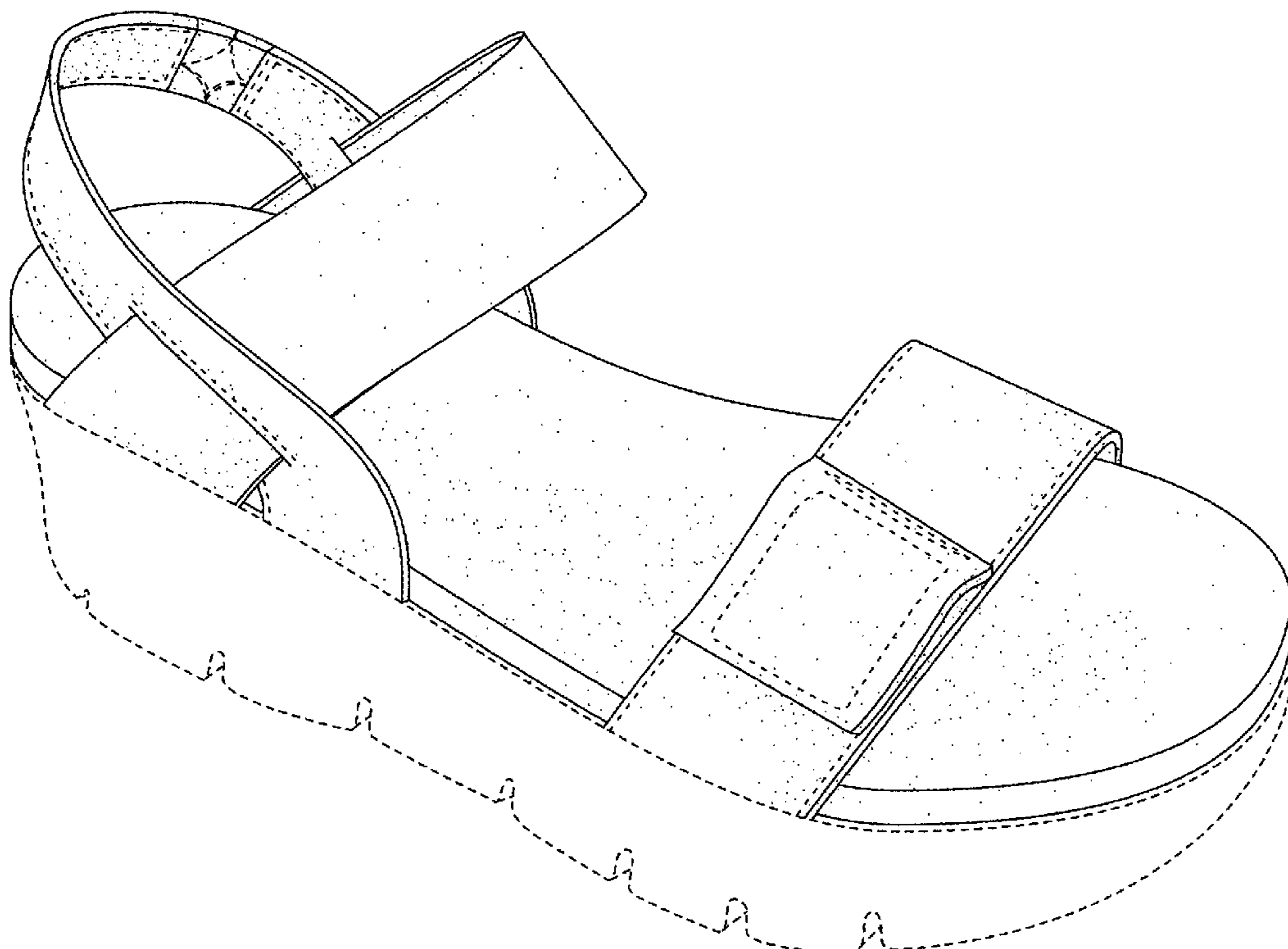
FIG. 6 is a top view thereof; and,

FIG. 7 is a rear perspective view thereof.

The dash-dash broken lines in the shoe upper form no part of the claimed design, including unclaimed portions of straps and the stitching.

The dash-dash broken lines in the sole portion of the shoe also form no part of the claimed design.

**1 Claim, 7 Drawing Sheets**



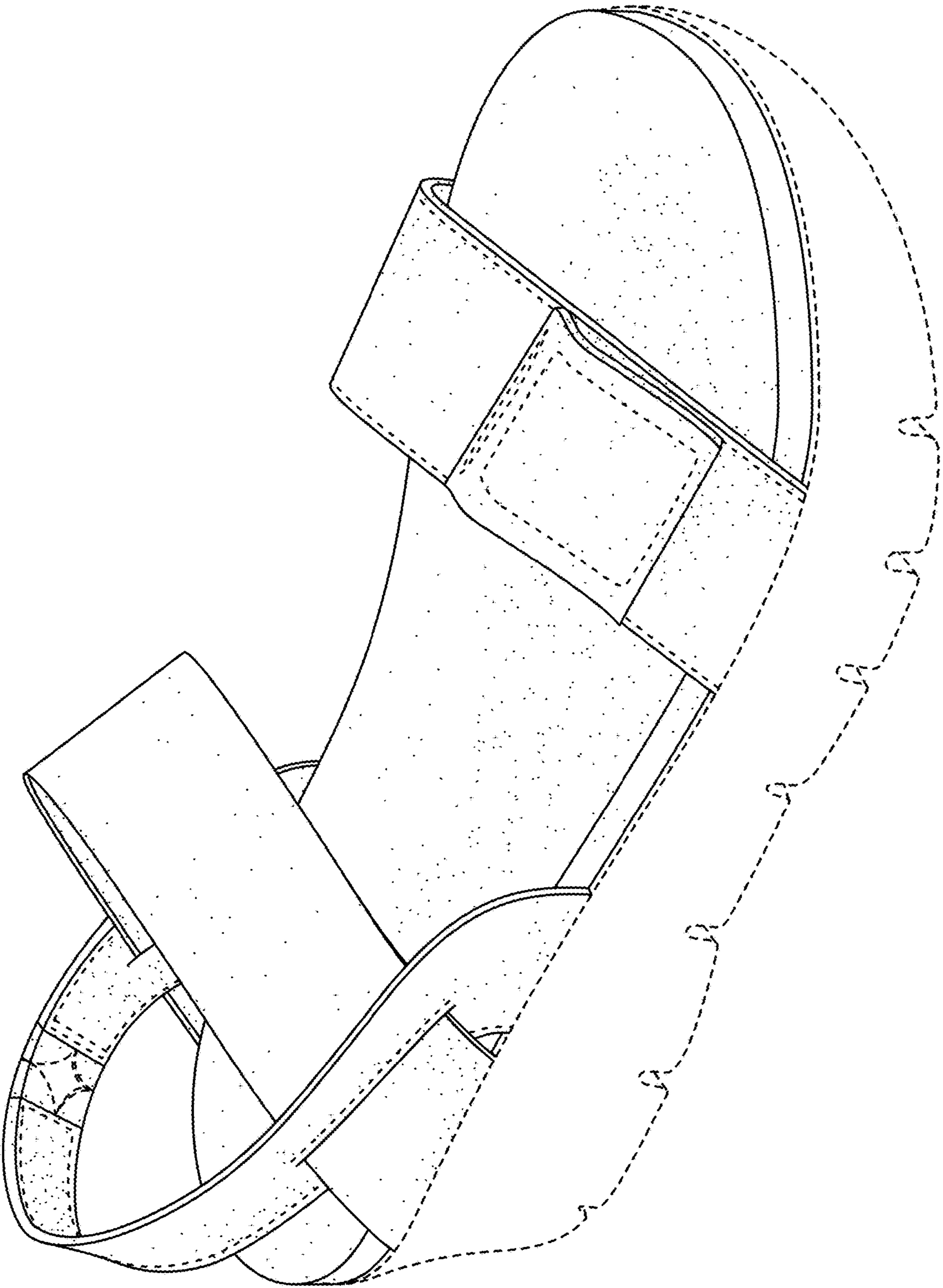


FIG. 1

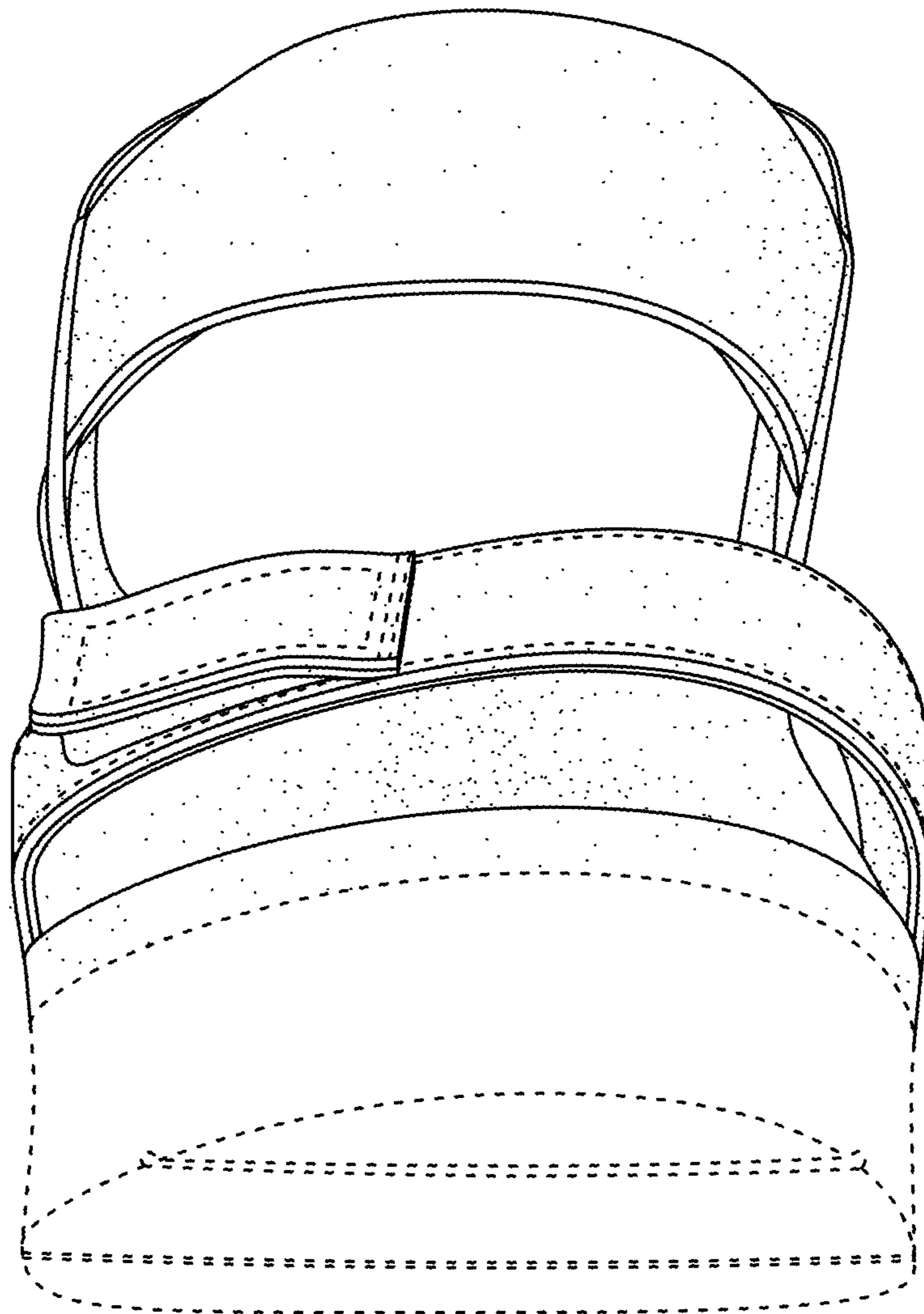


FIG. 2

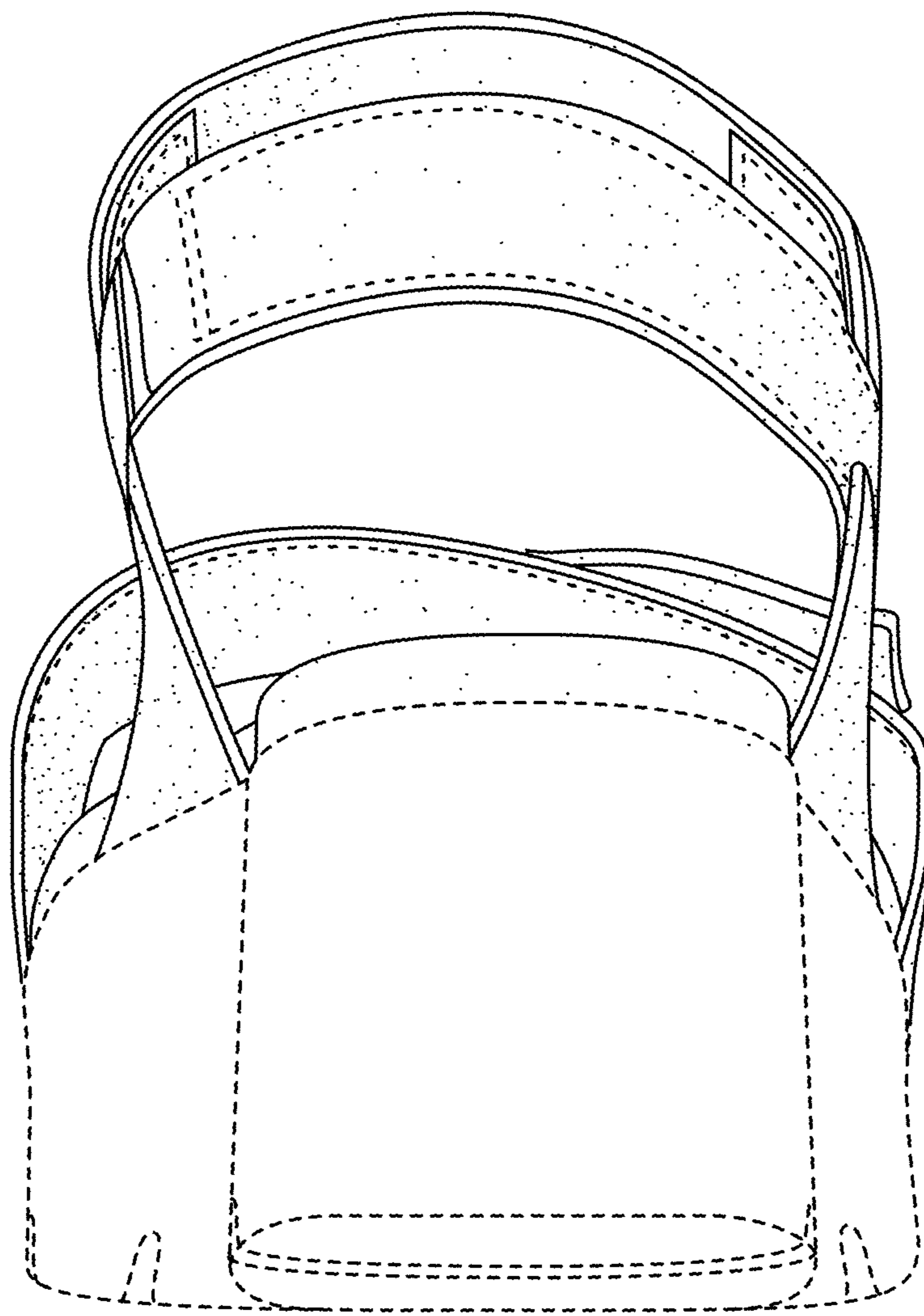


FIG. 3

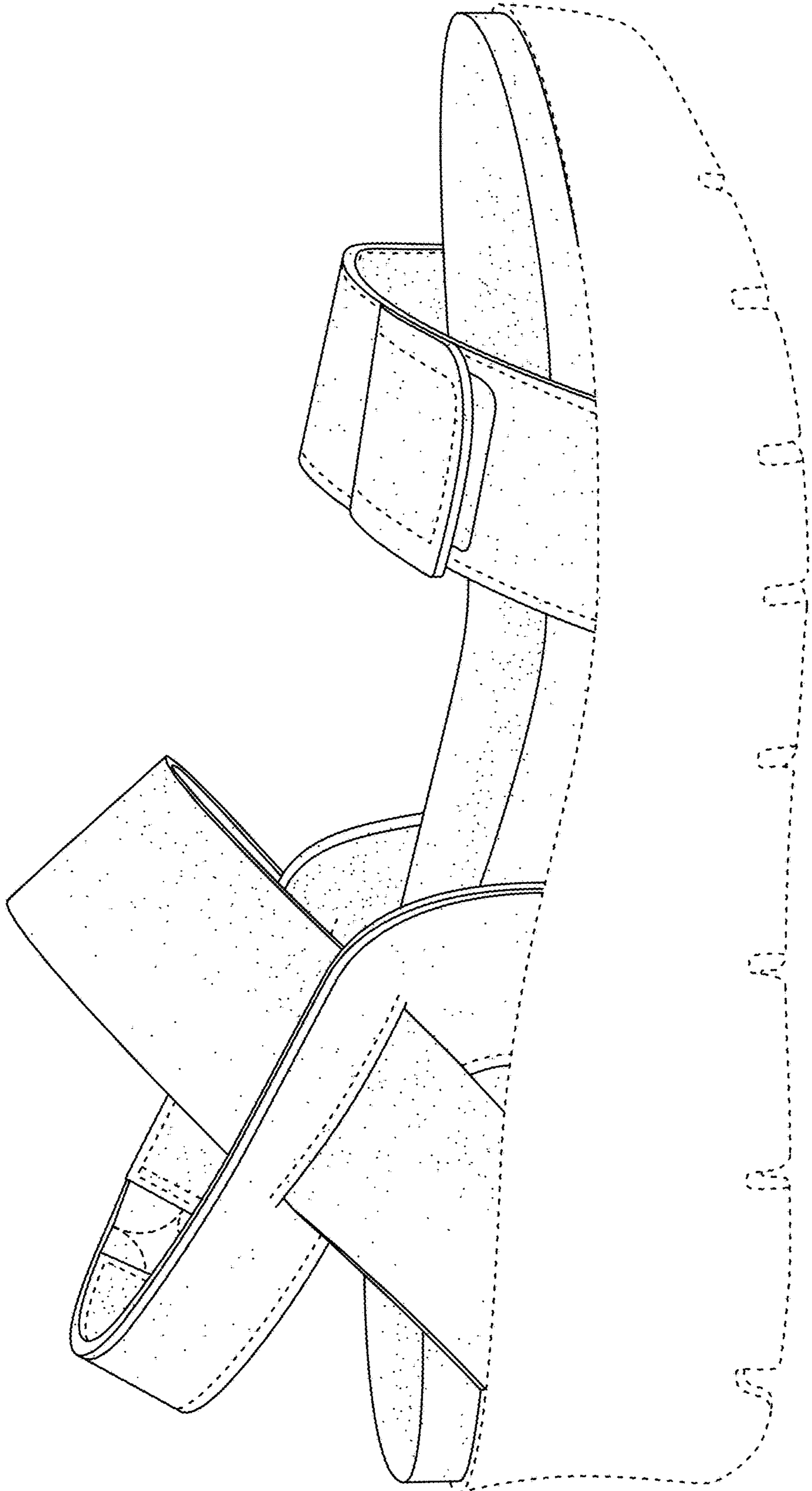


FIG. 4

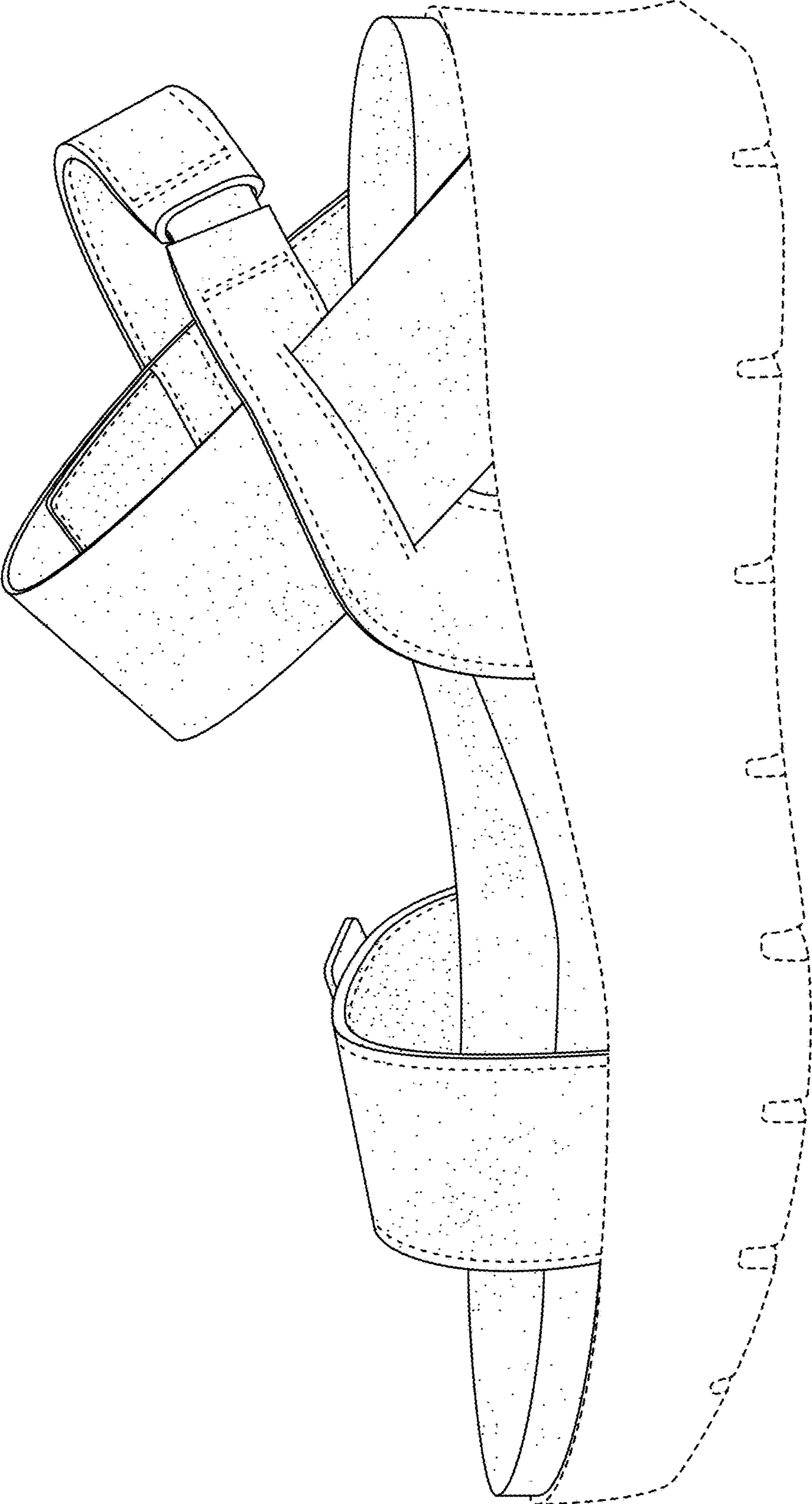


FIG. 5

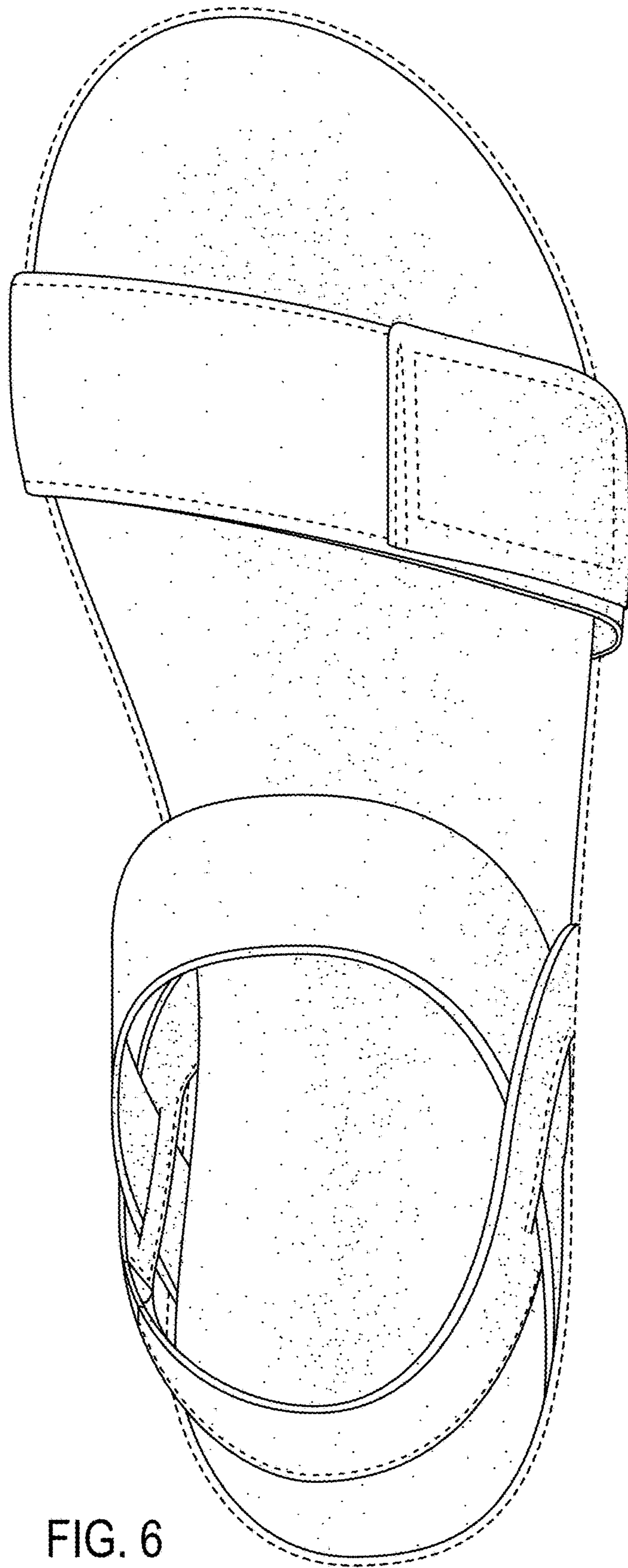


FIG. 6

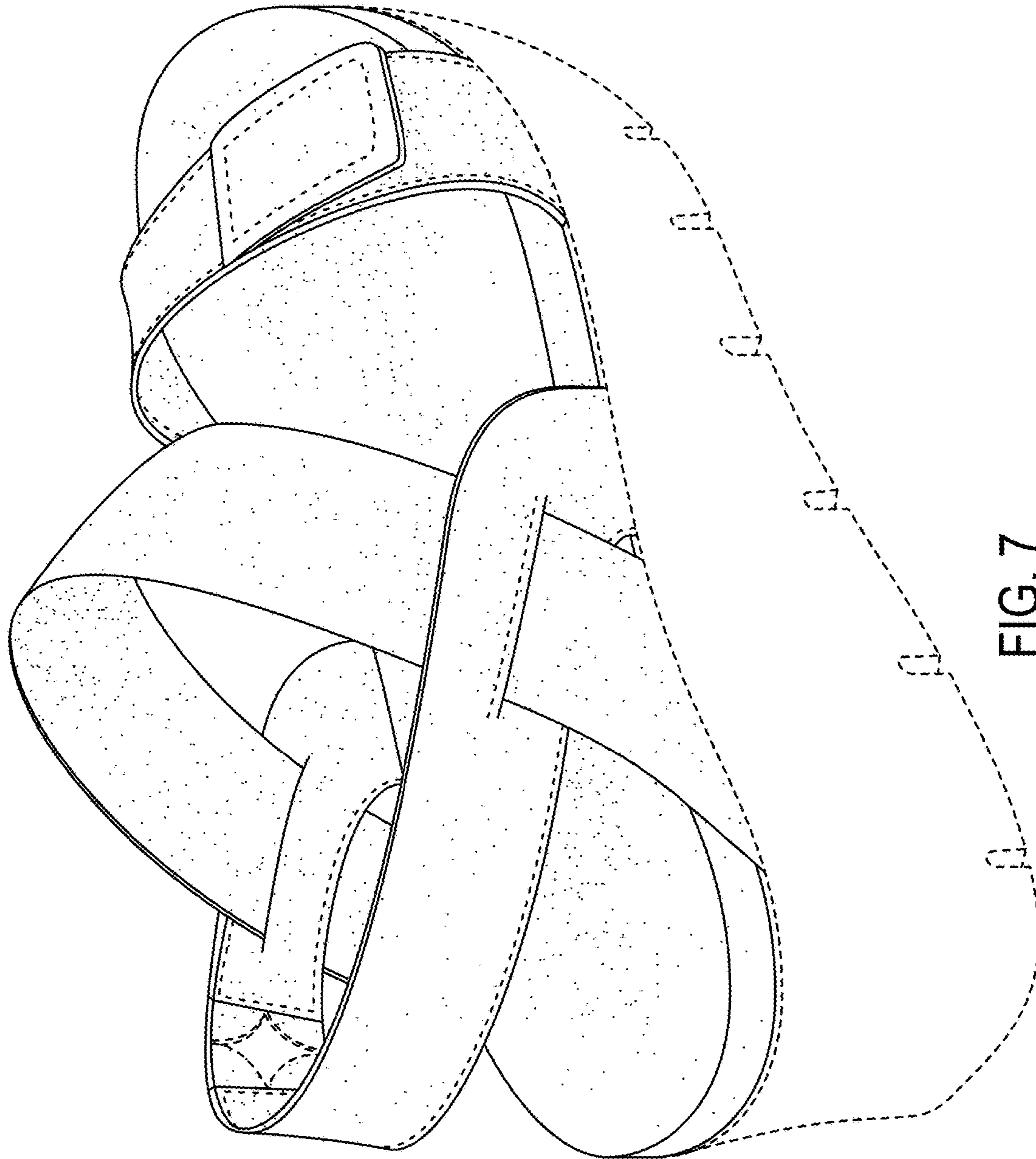


FIG. 7