



US00D838082S

(12) **United States Design Patent**
Kim

(10) **Patent No.:** **US D838,082 S**

(45) **Date of Patent:** **** Jan. 15, 2019**

(54) **NECKTIE**

(71) Applicant: **Yong Chong Kim**, Los Angeles, CA
(US)

(72) Inventor: **Yong Chong Kim**, Los Angeles, CA
(US)

(**) Term: **15 Years**

(21) Appl. No.: **29/615,929**

(22) Filed: **Aug. 31, 2017**

(51) **LOC (11) Cl.** **02-05**

(52) **U.S. Cl.**
USPC **D2/605**

(58) **Field of Classification Search**
USPC D2/600, 601, 602, 603, 604, 605, 606,
D2/607, 608, 609
CPC A41D 25/00; A41D 25/001; A41D 25/003;
A41D 25/005; A41D 25/006; A41D
25/008; A41D 25/02; A41D 25/022;
A41D 25/025; A41D 25/027; A41D
25/04; A41D 25/06; A41D 25/08; A41D
25/10; A41D 25/12; A41D 25/14
See application file for complete search history.

(56) **References Cited**

U.S. PATENT DOCUMENTS

- 1,125,793 A * 1/1915 Barnes A41D 25/02
2/145
- 2,103,094 A * 12/1937 Scharlin A41D 25/02
2/150

- D177,001 S * 3/1956 Bachrach D2/605
- D179,910 S * 3/1957 Lewine D2/605
- D231,959 S * 7/1974 Himatlal 2/144
- D299,383 S * 1/1989 Rosenbaum D2/605
- D410,316 S * 6/1999 Reed D2/605
- D449,421 S * 10/2001 Young Burnette D2/605
- D481,191 S * 10/2003 Mattioli D2/605
- D762,943 S * 8/2016 Nash-Owens D2/605
- D764,744 S * 8/2016 Jones, Jr. D2/605
- D772,528 S * 11/2016 Burden D2/605
- 2016/0235143 A1 * 8/2016 Kim A41D 25/02

* cited by examiner

Primary Examiner — Karen S Acker

Assistant Examiner — Jasmine Mlinarcik

(74) *Attorney, Agent, or Firm* — Heedong Chae; Lucem,
PC

(57) **CLAIM**

The ornamental design for a necktie, as shown and described.

DESCRIPTION

FIG. 1 is a front elevational view of a necktie showing my new design;
FIG. 2 is a rear elevational view thereof;
FIG. 3 is an enlarged left side elevational view thereof;
FIG. 4 is an enlarged right side elevational view thereof;
FIG. 5 is an enlarged top plan view thereof;
FIG. 6 is an enlarged bottom plan view thereof; and,
FIG. 7 is a front view of the necktie in a worn condition.
The broken lines depict of unclaimed environment and form no part of the claimed design.

1 Claim, 7 Drawing Sheets

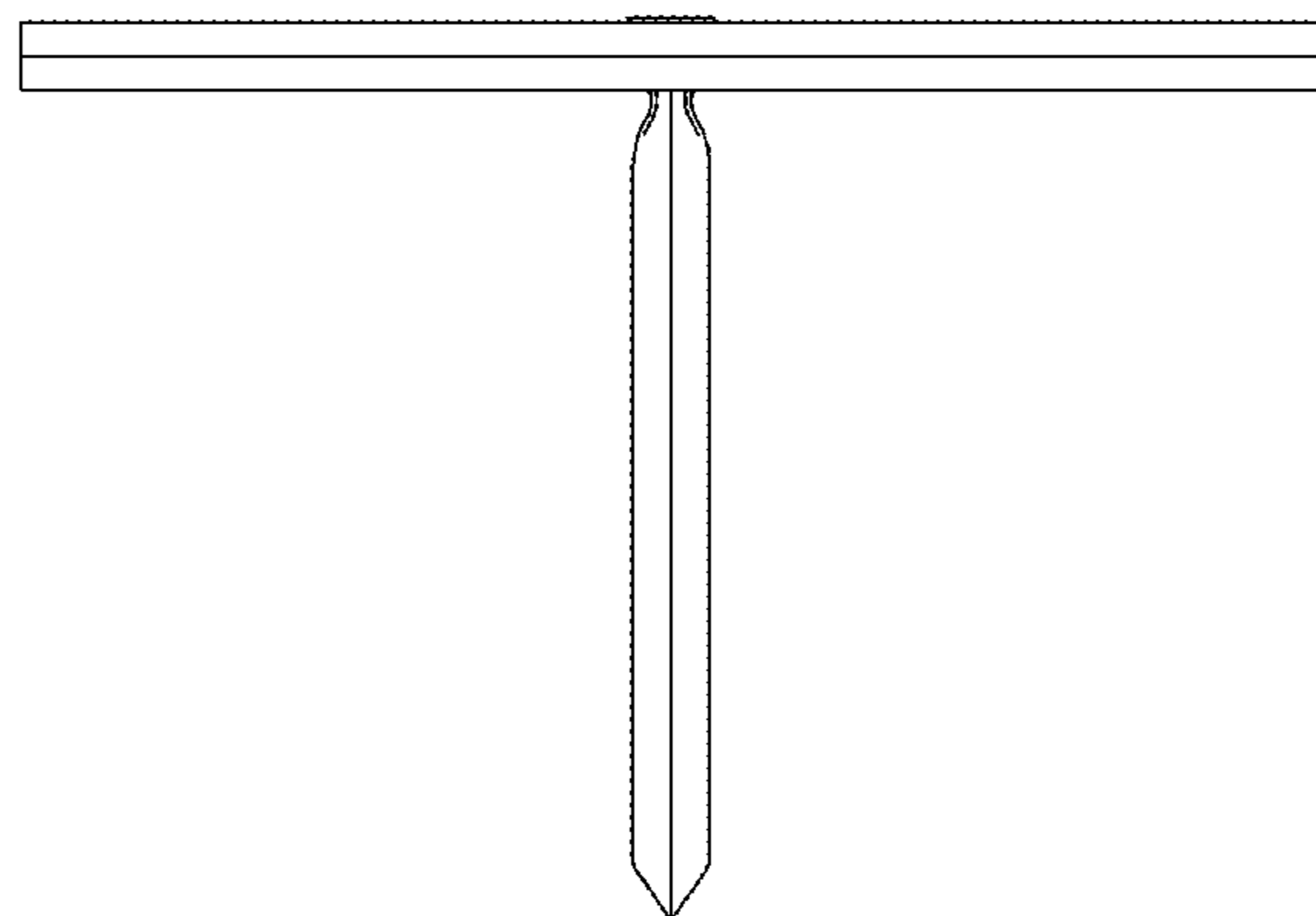
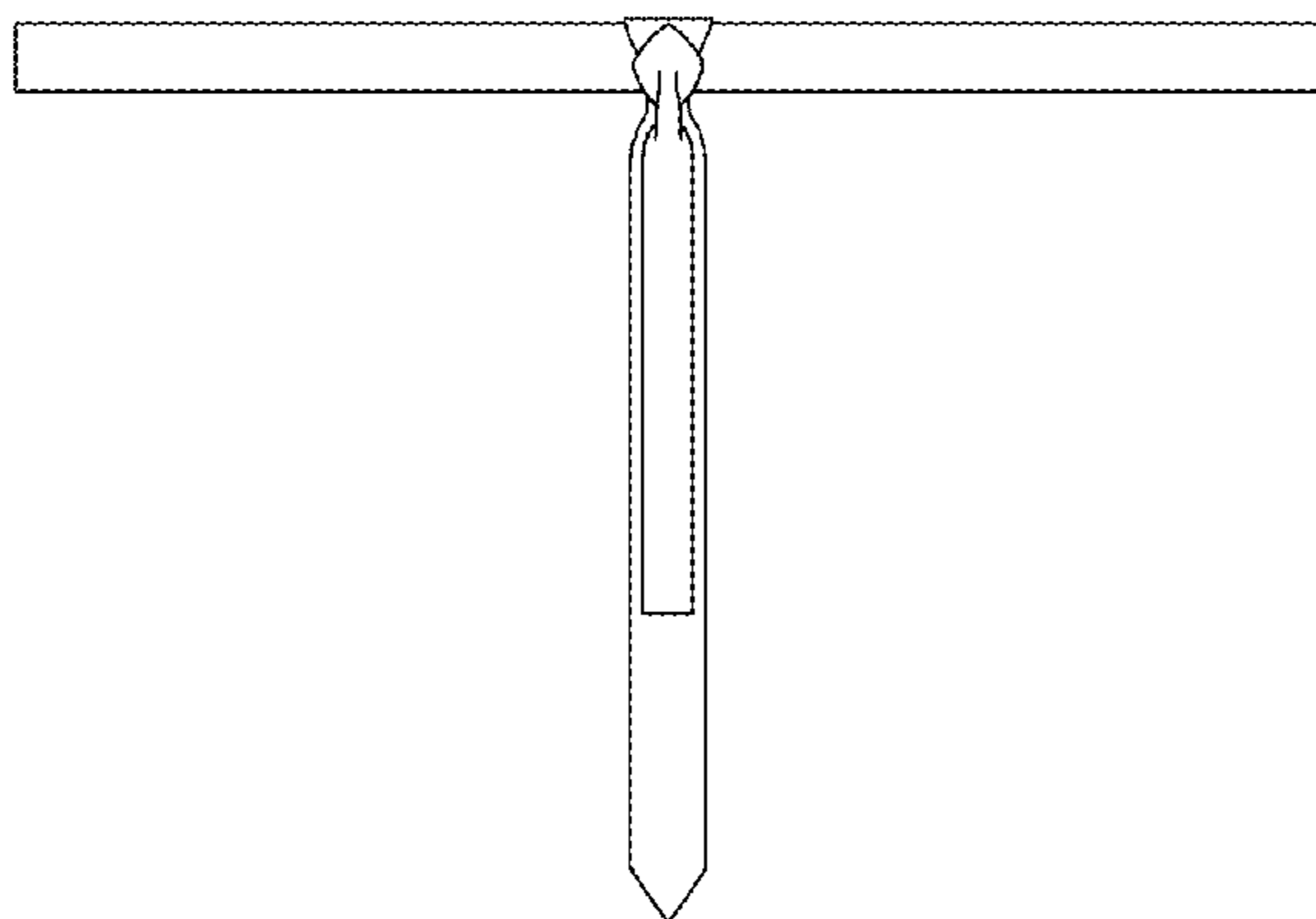


FIG. 1

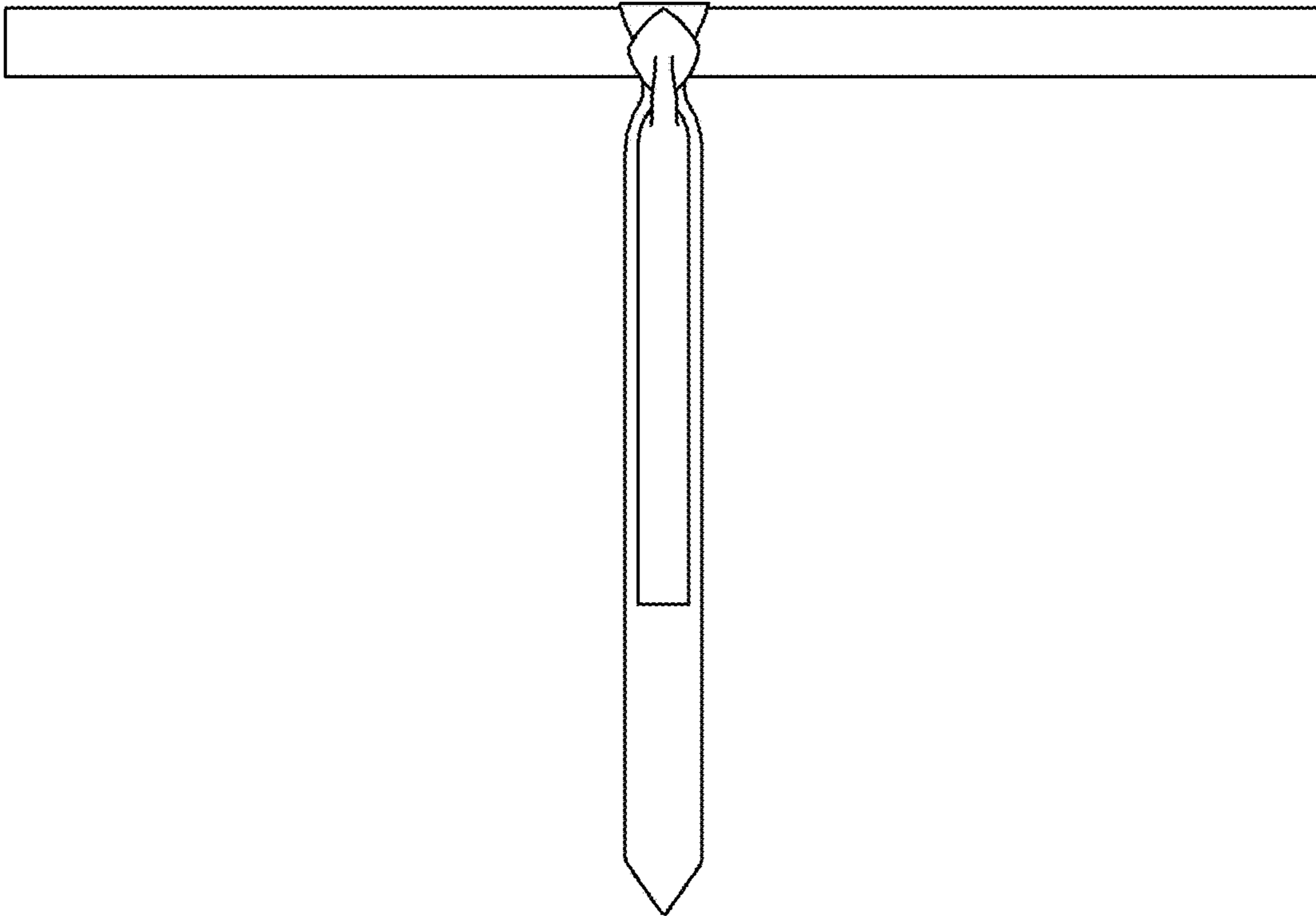


FIG. 2

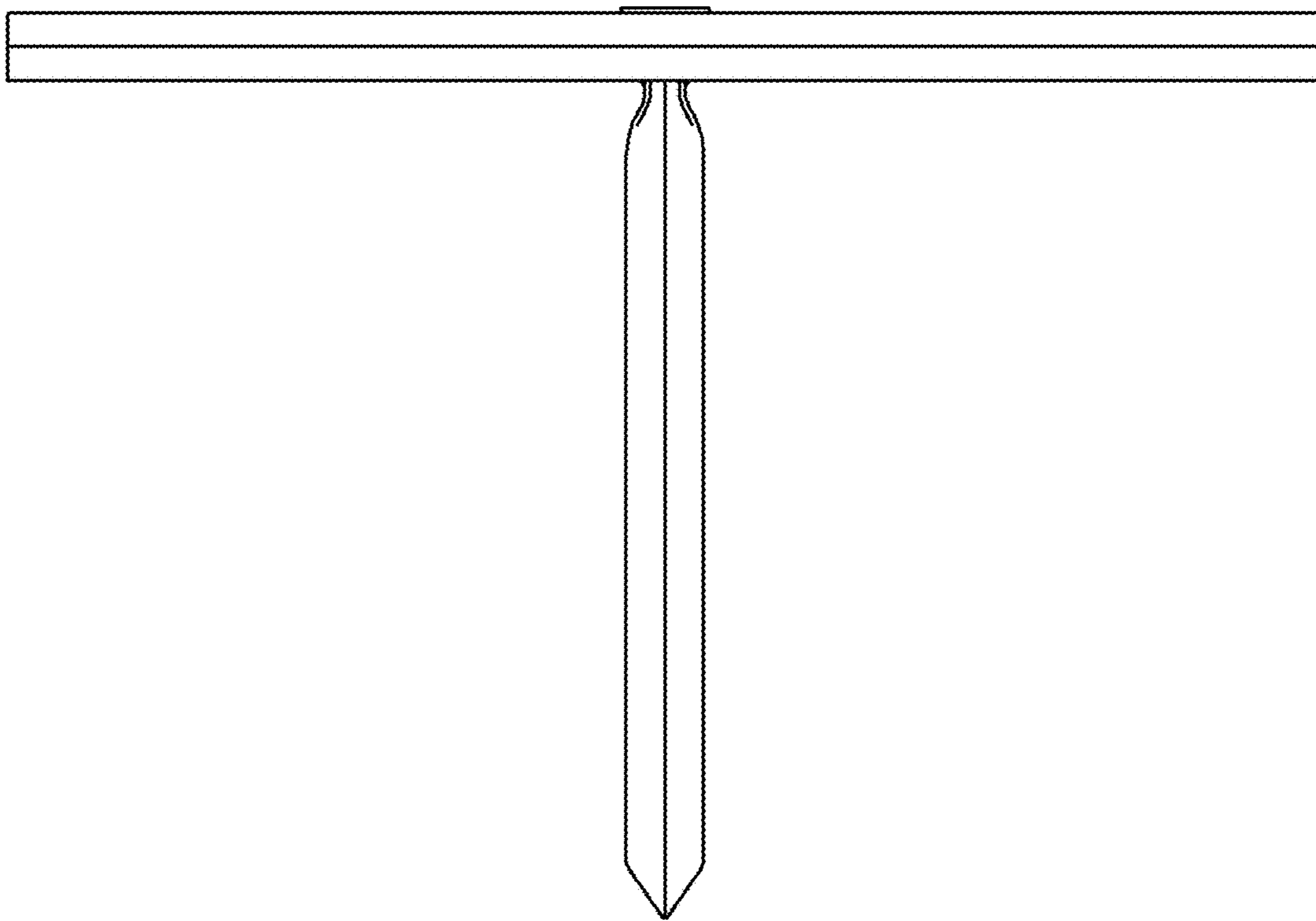


FIG. 3

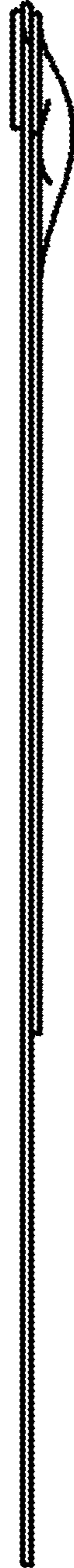


FIG. 4



FIG. 5



FIG. 6



FIG. 7

