



US00D838077S

(12) **United States Design Patent**
Kuklik

(10) **Patent No.:** **US D838,077 S**

(45) **Date of Patent:** **** Jan. 8, 2019**

(54) **GOLF-CLUB CADDY**

D549,421 S * 8/2007 Liao D34/15
D695,484 S * 12/2013 Powell D34/15
D714,511 S * 9/2014 Kuklik D34/15

(71) Applicant: **GOLF GEUM TECHNOLOGY S.R.O.**, Prague 4-Nusle (CZ)

* cited by examiner

(72) Inventor: **Richard Kuklik**, Prague (CZ)

Primary Examiner — Cynthia Ramirez

(73) Assignee: **GOLF GEUM TECHNOLOGY S.R.O.** (CZ)

(74) *Attorney, Agent, or Firm* — Hovey Williams LLP;
Joan Herman

(**) Term: **15 Years**

(57) **CLAIM**

(21) Appl. No.: **29/584,143**

The ornamental design for a golf-club caddy, as shown and described.

(22) Filed: **Nov. 11, 2016**

(30) **Foreign Application Priority Data**

DESCRIPTION

Jun. 29, 2016 (EM) 003254242

(51) **LOC (11) Cl.** **12-13**

(52) **U.S. Cl.**
USPC **D34/15**

(58) **Field of Classification Search**
USPC D34/15; 280/DIG. 5, 47.39, 47.26,
280/47.17, 47.18
CPC B62B 2202/404; B62B 3/02; B62K
2005/002; A63B 2055/623; A63B 55/60;
B60D 2001/005

FIG. 1 is a front left perspective of a golf-club caddy embodying my design;
FIG. 2 is an upper front perspective of the golf-club caddy shown in FIG. 1;
FIG. 3 is an upper rear perspective of the golf-club caddy shown in FIGS. 1 and 2;
FIG. 4 is a rear left perspective of the golf-club caddy shown in FIGS. 1-3;
FIG. 5 is a bottom view of the golf-club caddy shown in FIGS. 1-4;
FIG. 6 is a front right perspective of the golf-club caddy shown in FIGS. 1-5; and,
FIG. 7 is a right side elevation of the golf-club caddy shown in FIGS. 1-6, with the opposite side elevation being a mirror image thereof.

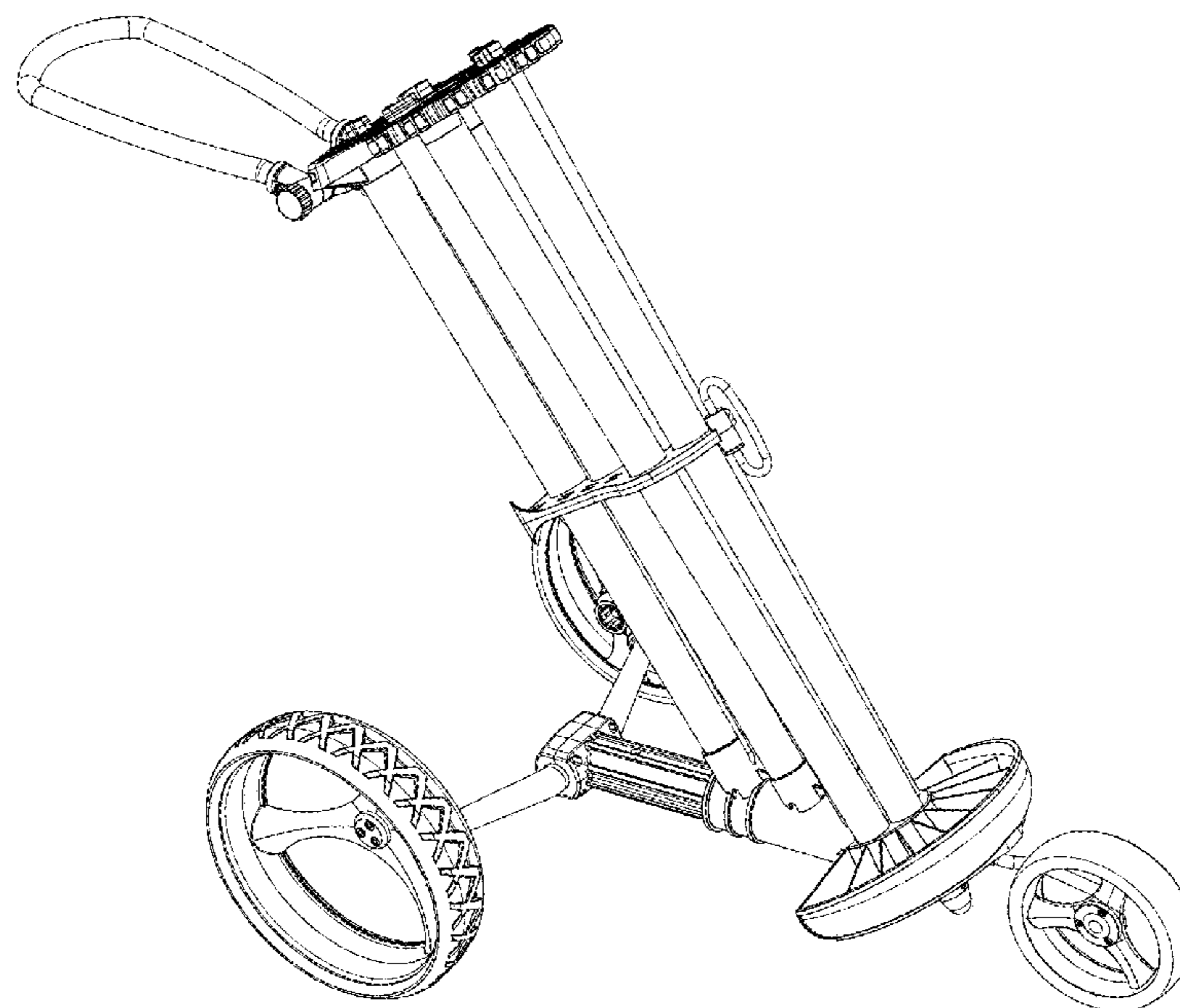
See application file for complete search history.

(56) **References Cited**

U.S. PATENT DOCUMENTS

D438,357 S * 2/2001 Wu D34/15
D446,620 S * 8/2001 Liao D34/15

1 Claim, 7 Drawing Sheets



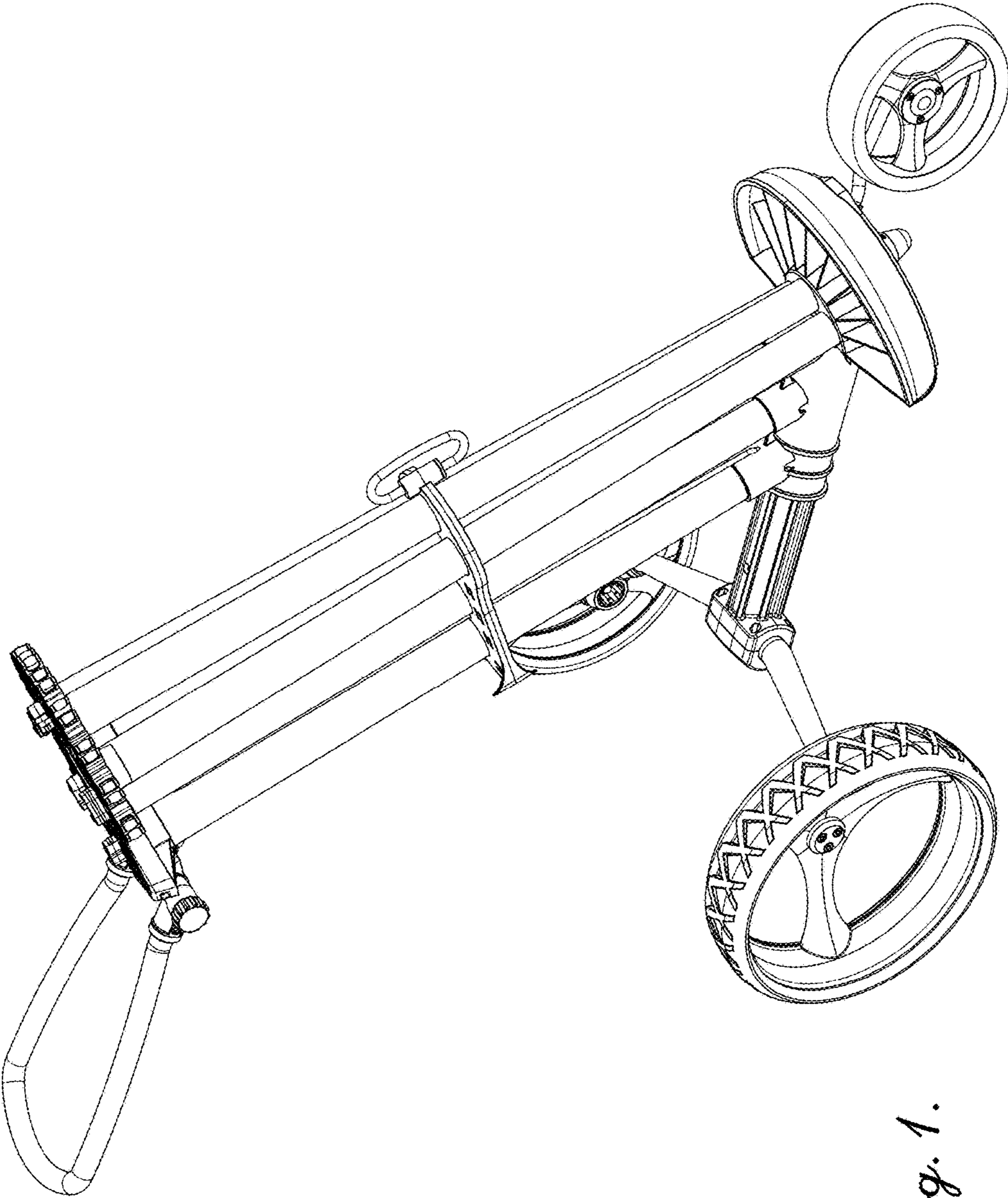


Fig. 1.

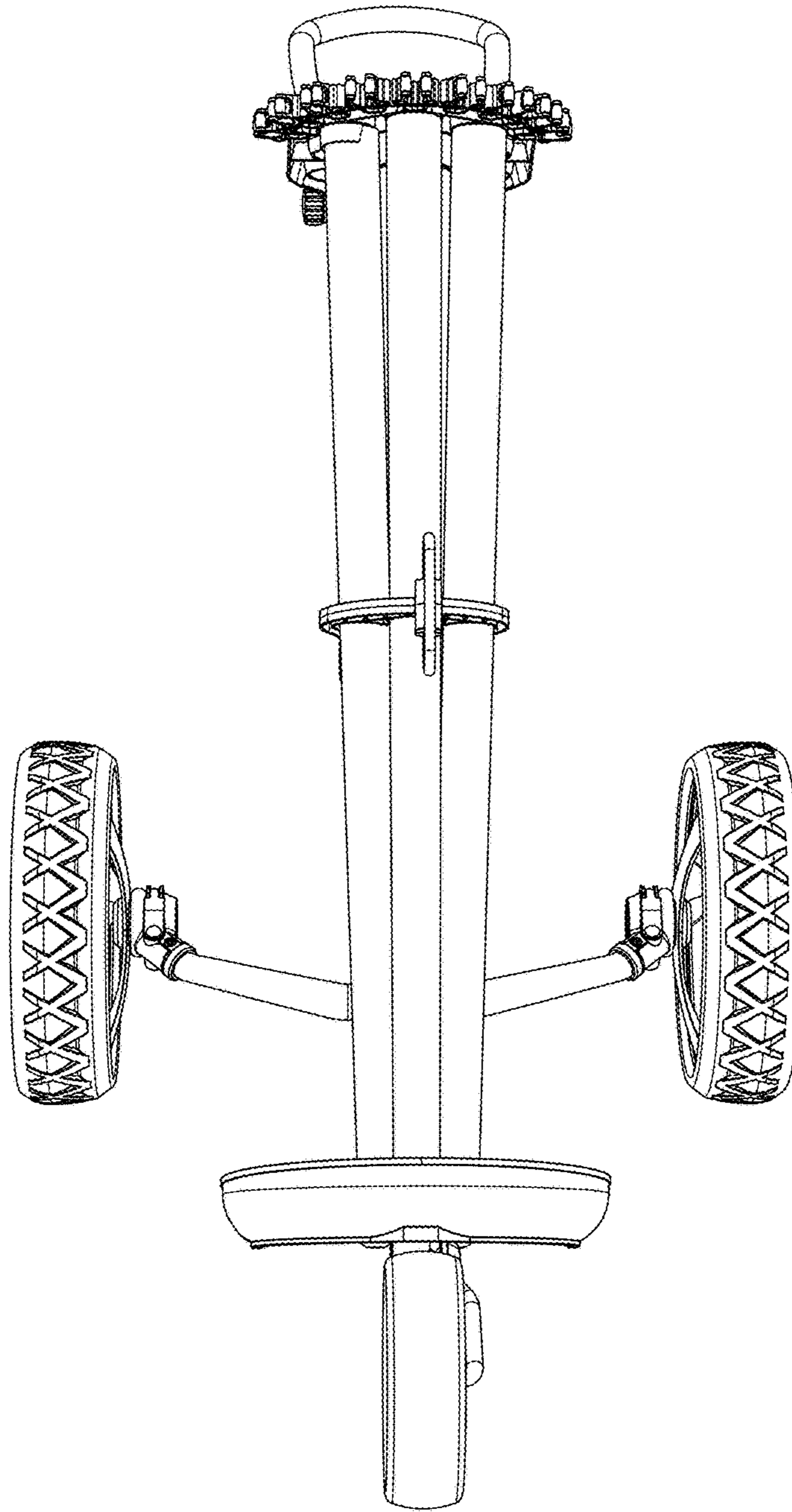


Fig. 2.

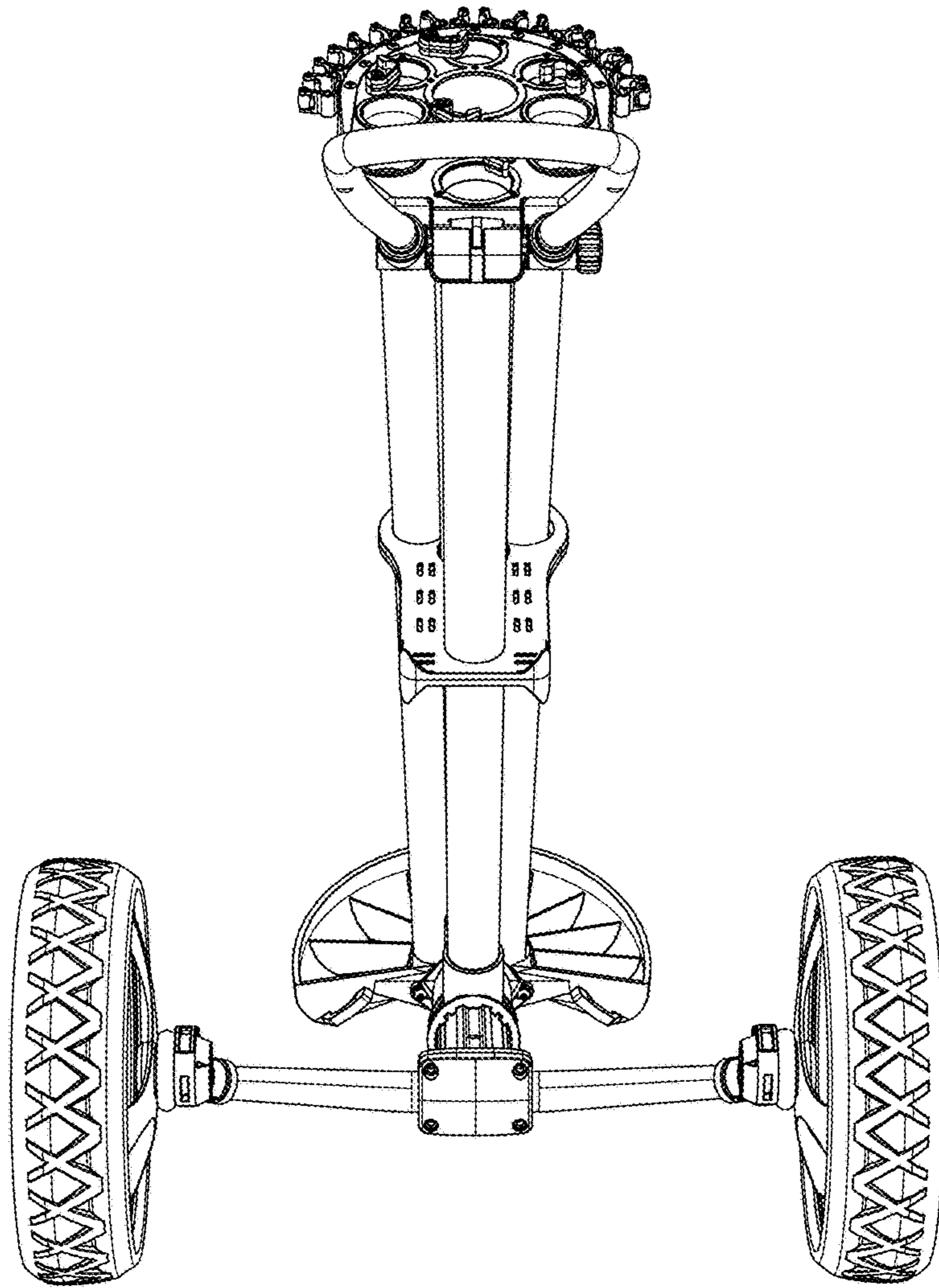


Fig. 3.

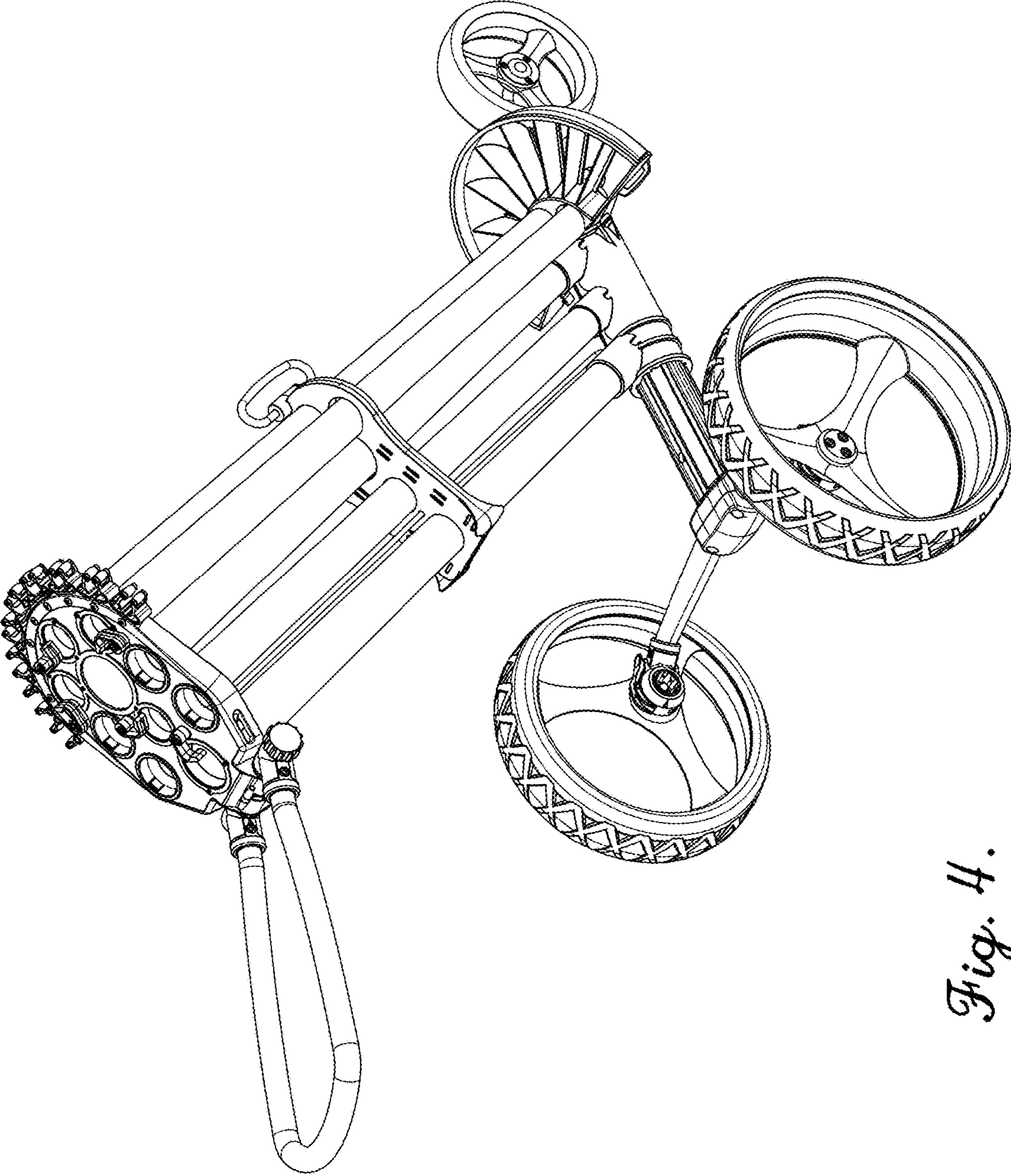


Fig. 4.

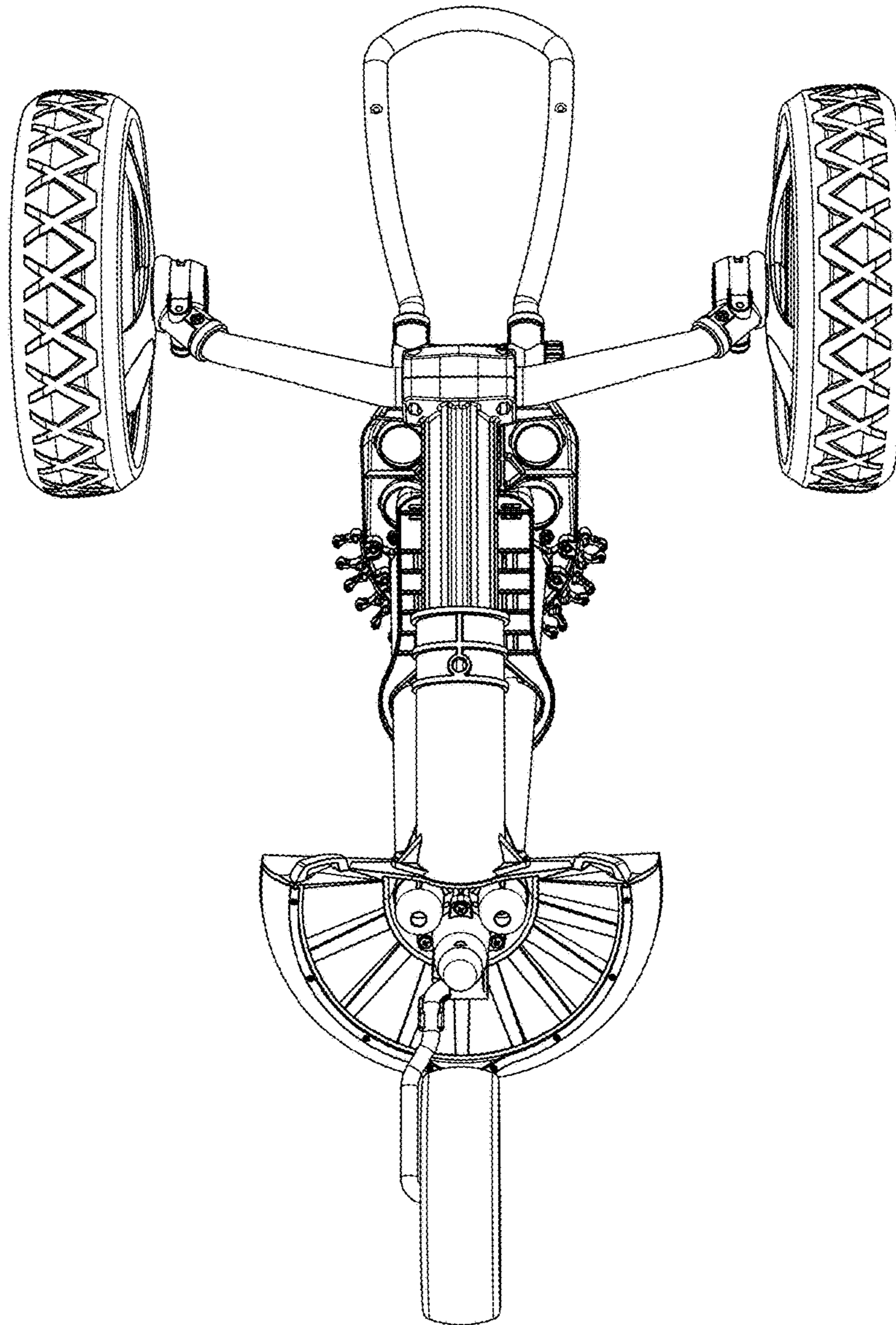


Fig. 5.

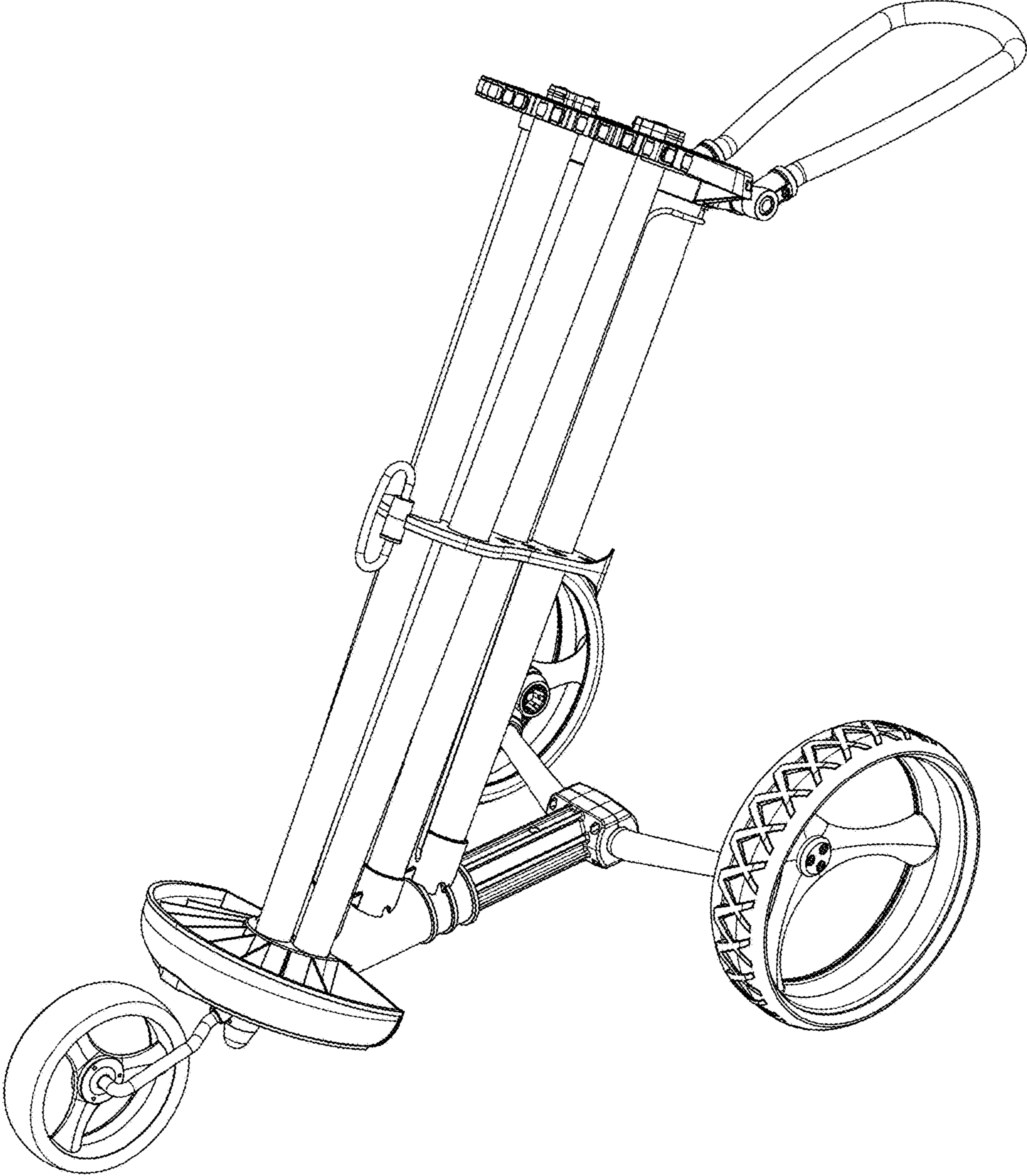


Fig. 6.

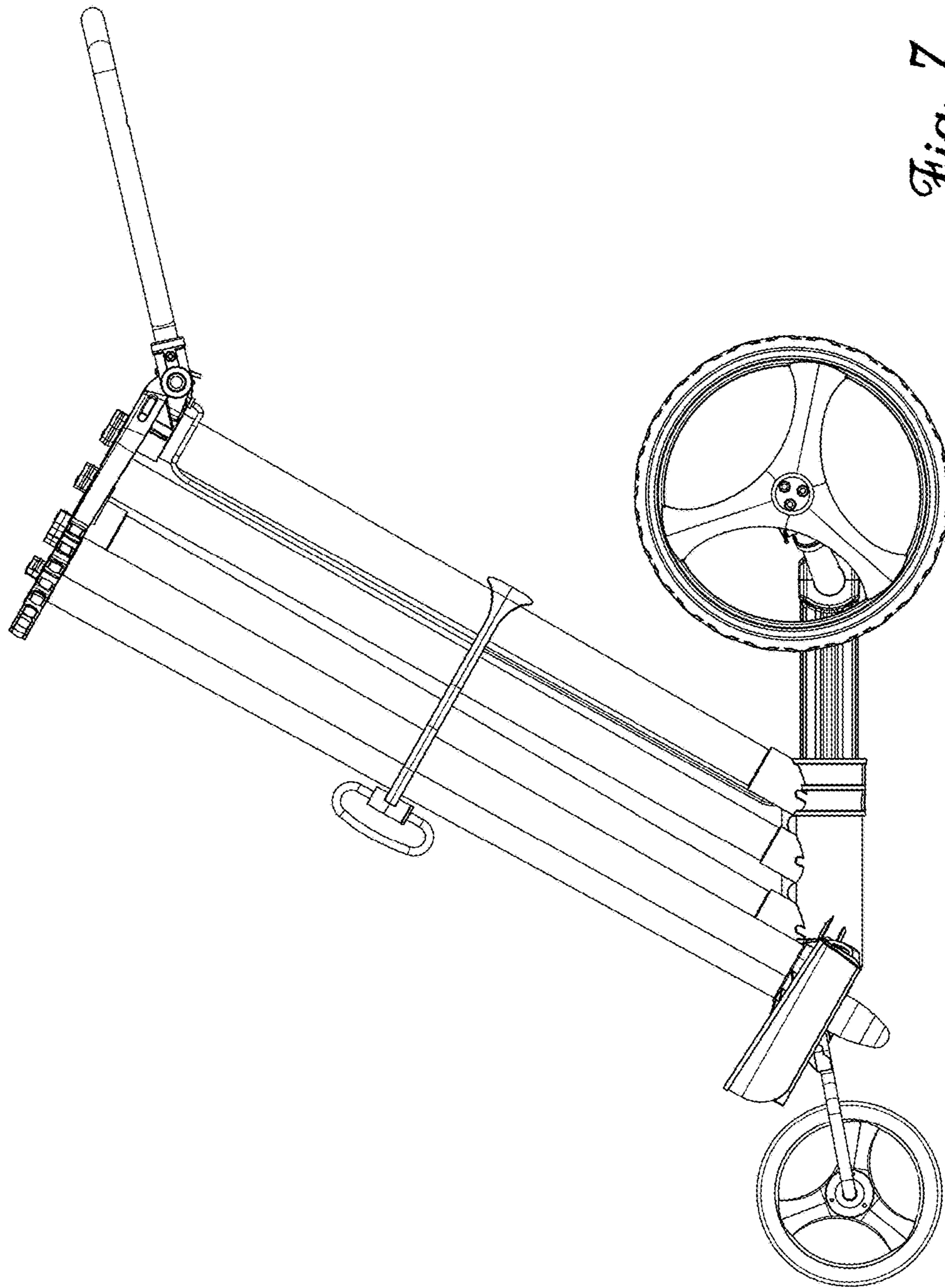


Fig. 7.