



US00D838076S

(12) **United States Design Patent**  
**Sharratt**

(10) **Patent No.:** **US D838,076 S**  
(45) **Date of Patent:** **\*\* Jan. 8, 2019**

- (54) **BUGGY**
- (71) Applicant: **KKDU PLUM PTY LTD**, South Yarra, VIC (AU)
- (72) Inventor: **Haydn Sharratt**, Sandringham (AU)
- (73) Assignee: **KKDU PLUM PTY LTD** (AU)
- (\*\*) Term: **15 Years**
- (21) Appl. No.: **29/586,941**
- (22) Filed: **Dec. 8, 2016**
- (30) **Foreign Application Priority Data**

D367,346 S *	2/1996	Young	.....	D34/15
5,551,716 A *	9/1996	Kordecki	.....	A63B 55/60 280/47.18
6,705,628 B2	3/2004	Kahmann		
D570,069 S *	5/2008	Leonard	.....	D34/24
D809,237 S *	1/2018	Clement	.....	D34/18
2009/0206568 A1*	8/2009	Lee	.....	B62B 1/04 280/47.26

- Jun. 9, 2016 (AU) ..... 201613150
- (51) **LOC (11) Cl.** ..... **12-02**
- (52) **U.S. Cl.**  
USPC ..... **D34/12**
- (58) **Field of Classification Search**  
USPC ..... D34/12-27; 280/47.35, 79.11, 79.3, 646,  
280/652  
CPC . B62B 2202/404; B62B 3/02; B62B 2205/24;  
B62B 2205/00  
See application file for complete search history.

**FOREIGN PATENT DOCUMENTS**

CA 2084101 A1 5/1994

\* cited by examiner

*Primary Examiner* — Cynthia Ramirez  
(74) *Attorney, Agent, or Firm* — Stevens & Showalter, LLP

(56) **References Cited**

**U.S. PATENT DOCUMENTS**

D183,135 S *	7/1958	May	.....	280/47.2
D189,454 S *	12/1960	Willmette, III	.....	D34/17
4,681,341 A *	7/1987	Lai	.....	B62B 1/045 280/47.26
D292,639 S *	11/1987	Kean	.....	D34/15
5,344,171 A	9/1994	Garforth-Bles		

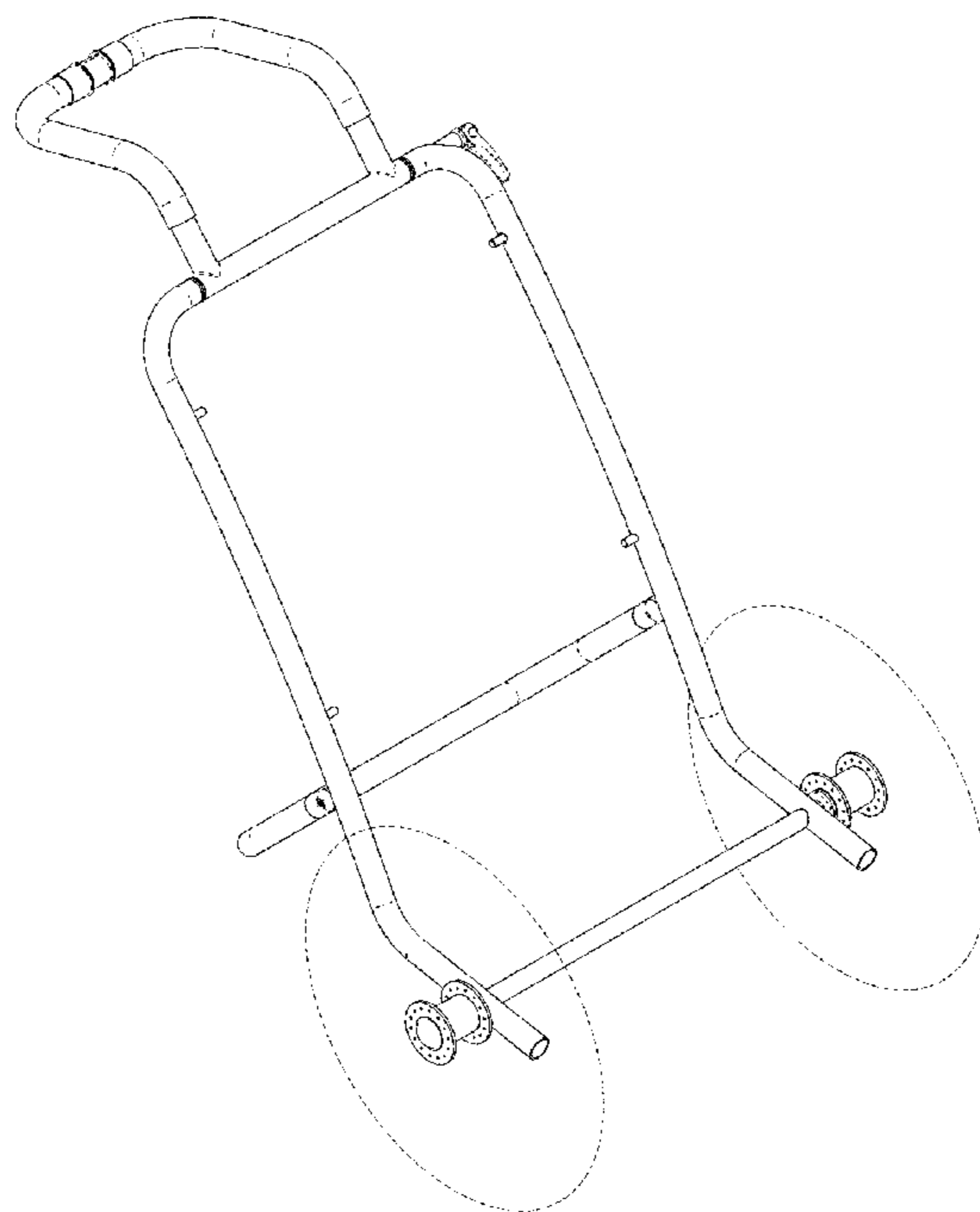
(57) **CLAIM**

The ornamental design for a buggy, as shown and described.

**DESCRIPTION**

FIG. 1 is a top, left, front perspective view of a buggy showing my new design;  
FIG. 2 is a top, left, rear perspective view thereof;  
FIG. 3 is a top plan view thereof;  
FIG. 4 is a rear elevational view thereof;  
FIG. 5 is a front elevational view thereof;  
FIG. 6 is a right side elevational view thereof; and,  
FIG. 7 is a left side elevational view thereof.  
The broken lines in the figures are for the purpose of illustrating environment that form no part of the claimed design.

**1 Claim, 7 Drawing Sheets**



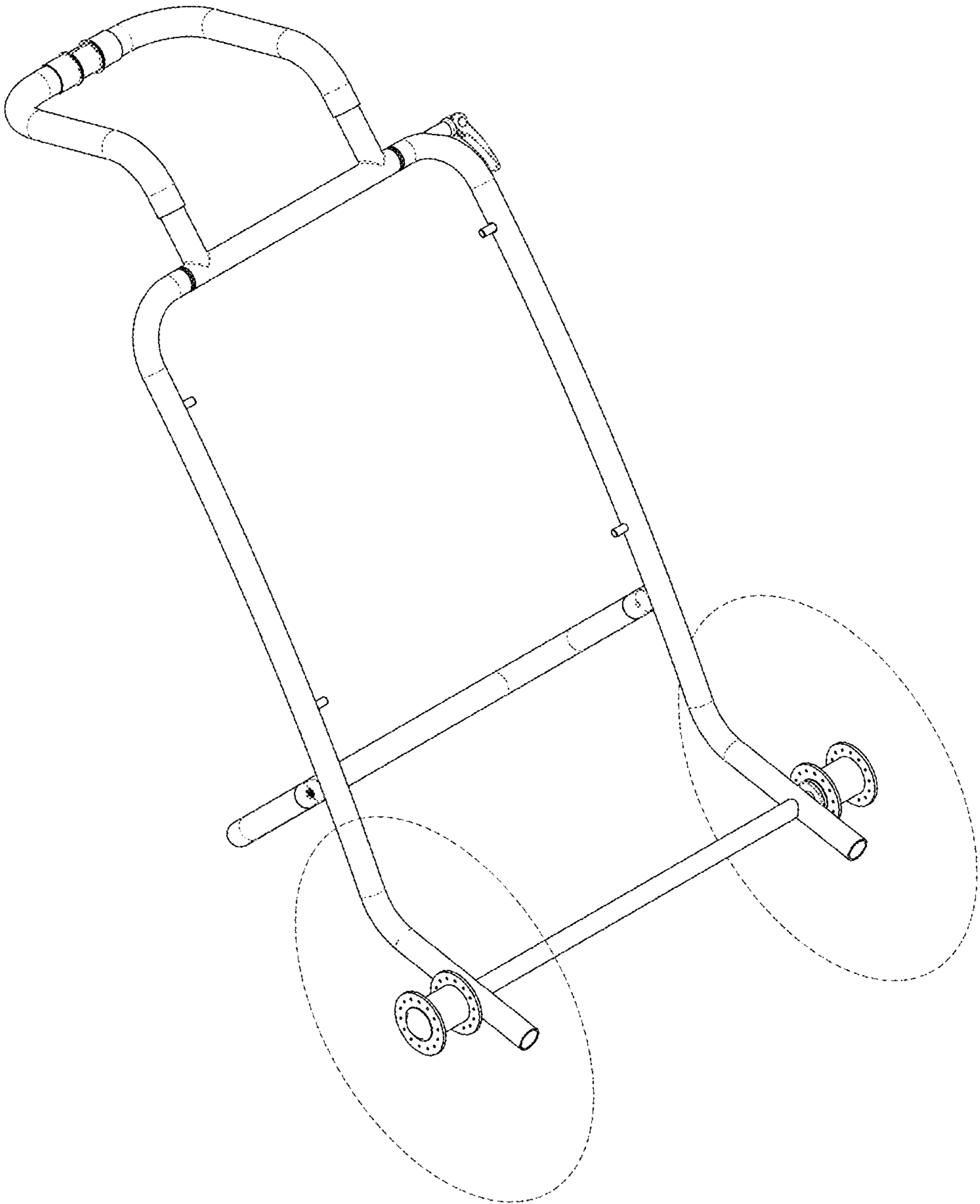


FIG 1

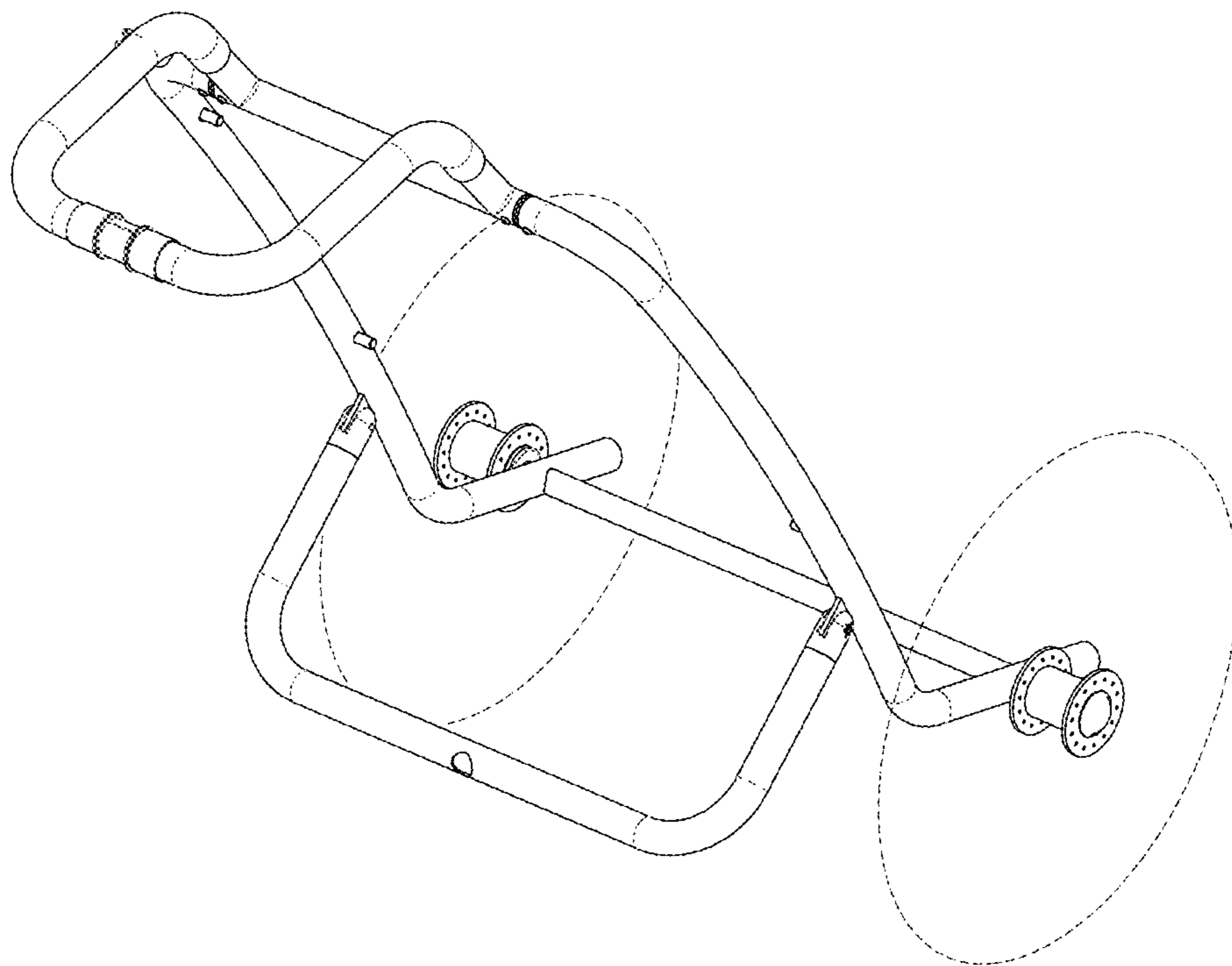


FIG 2

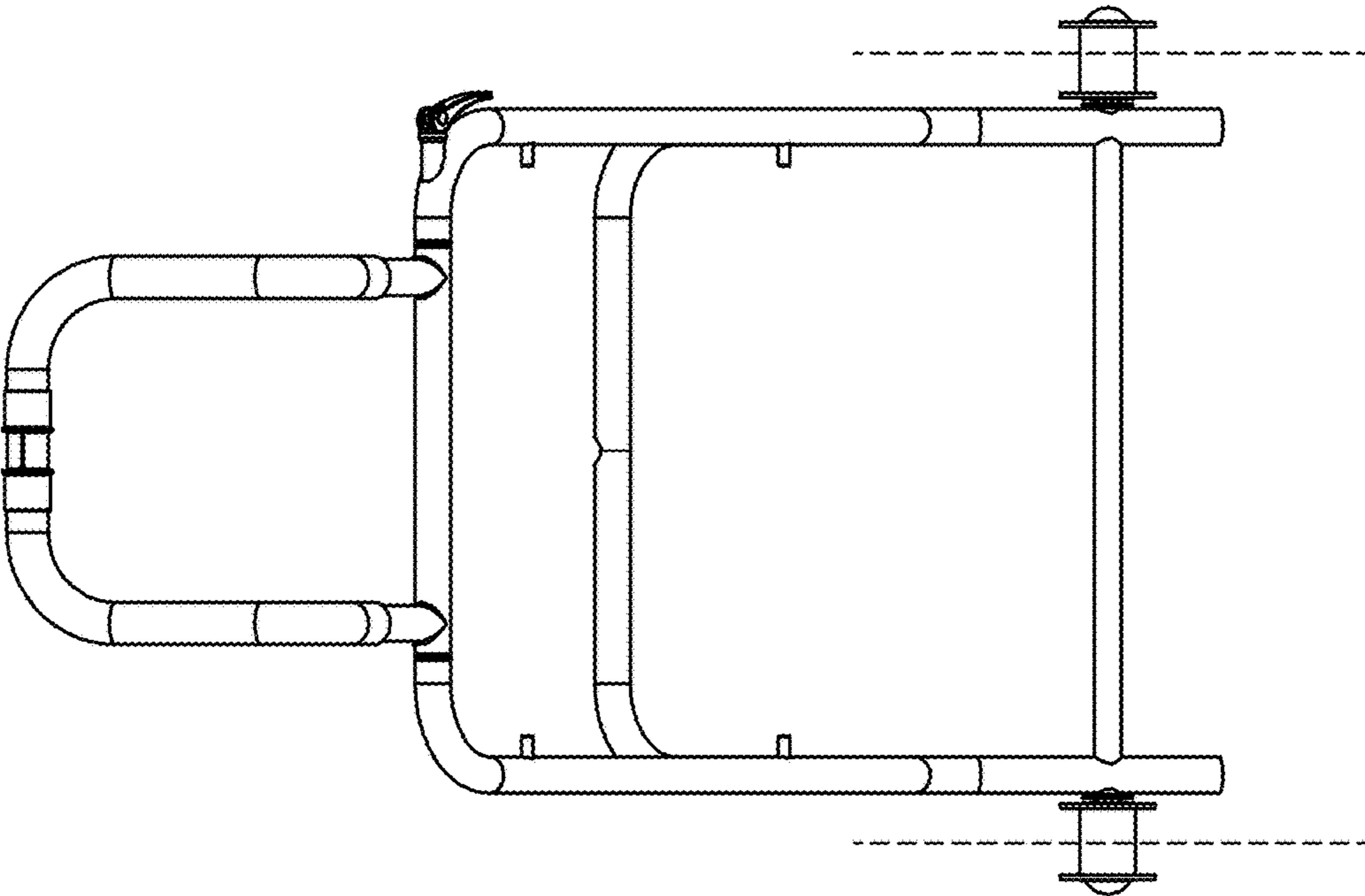


FIG 3

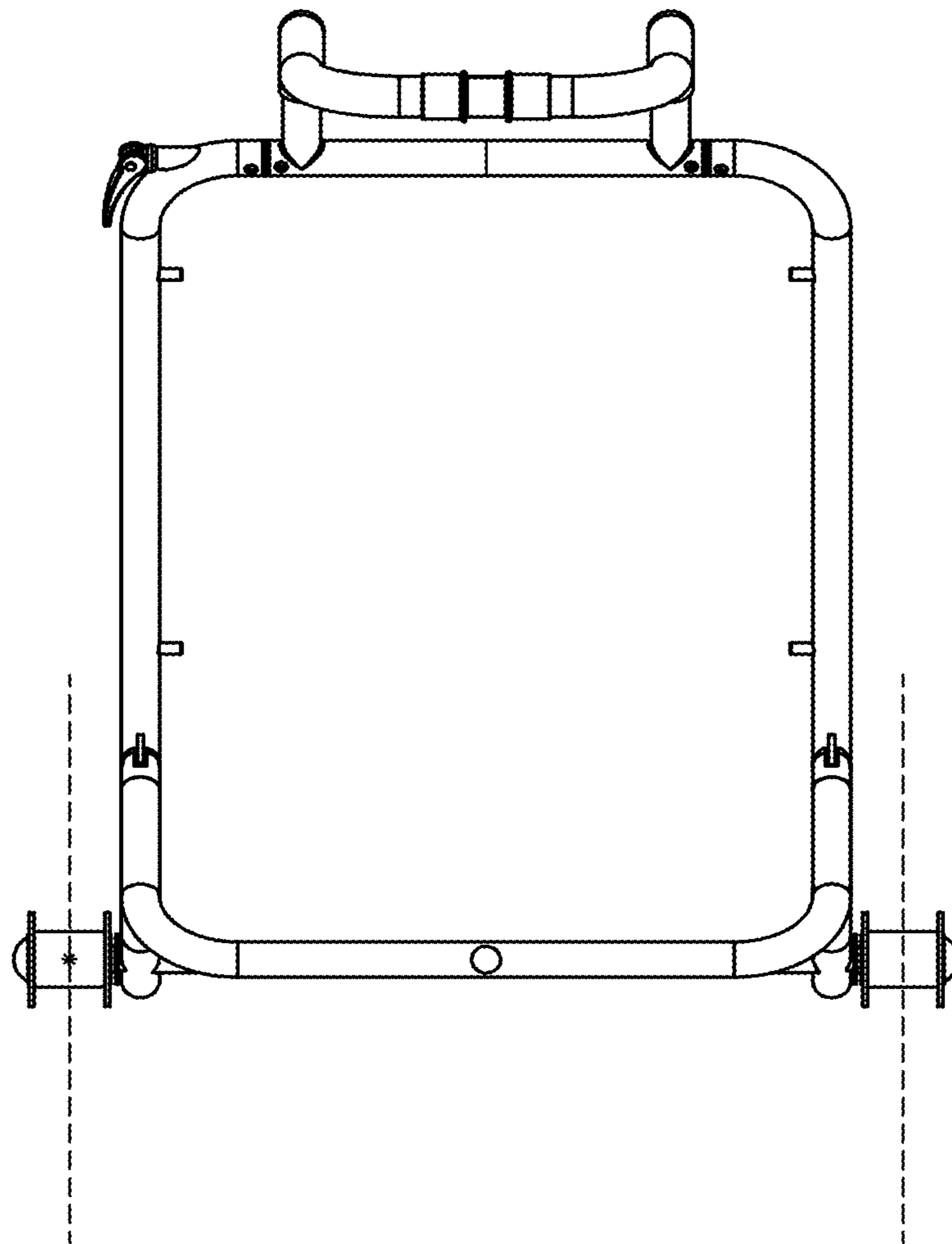


FIG 4

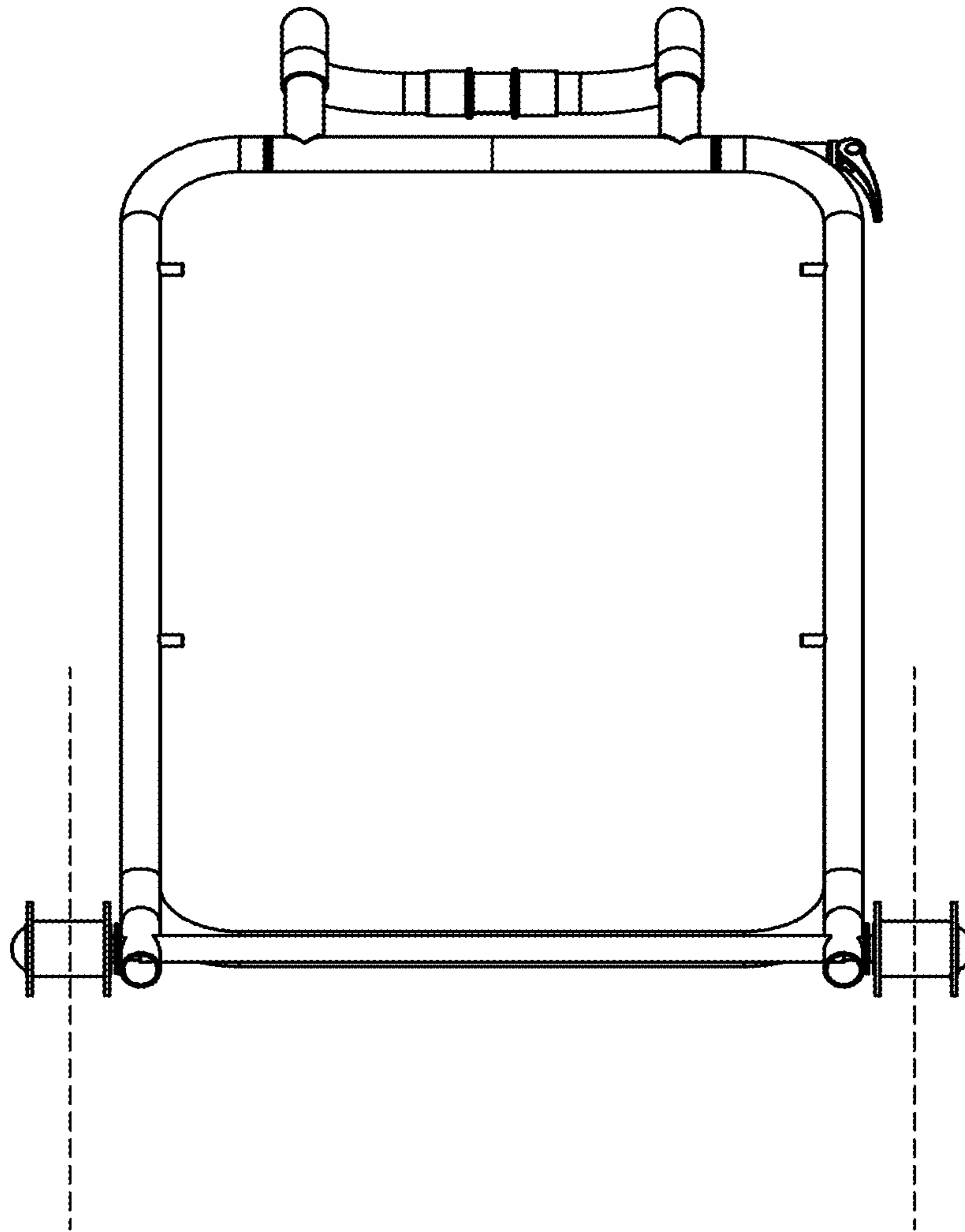


FIG 5

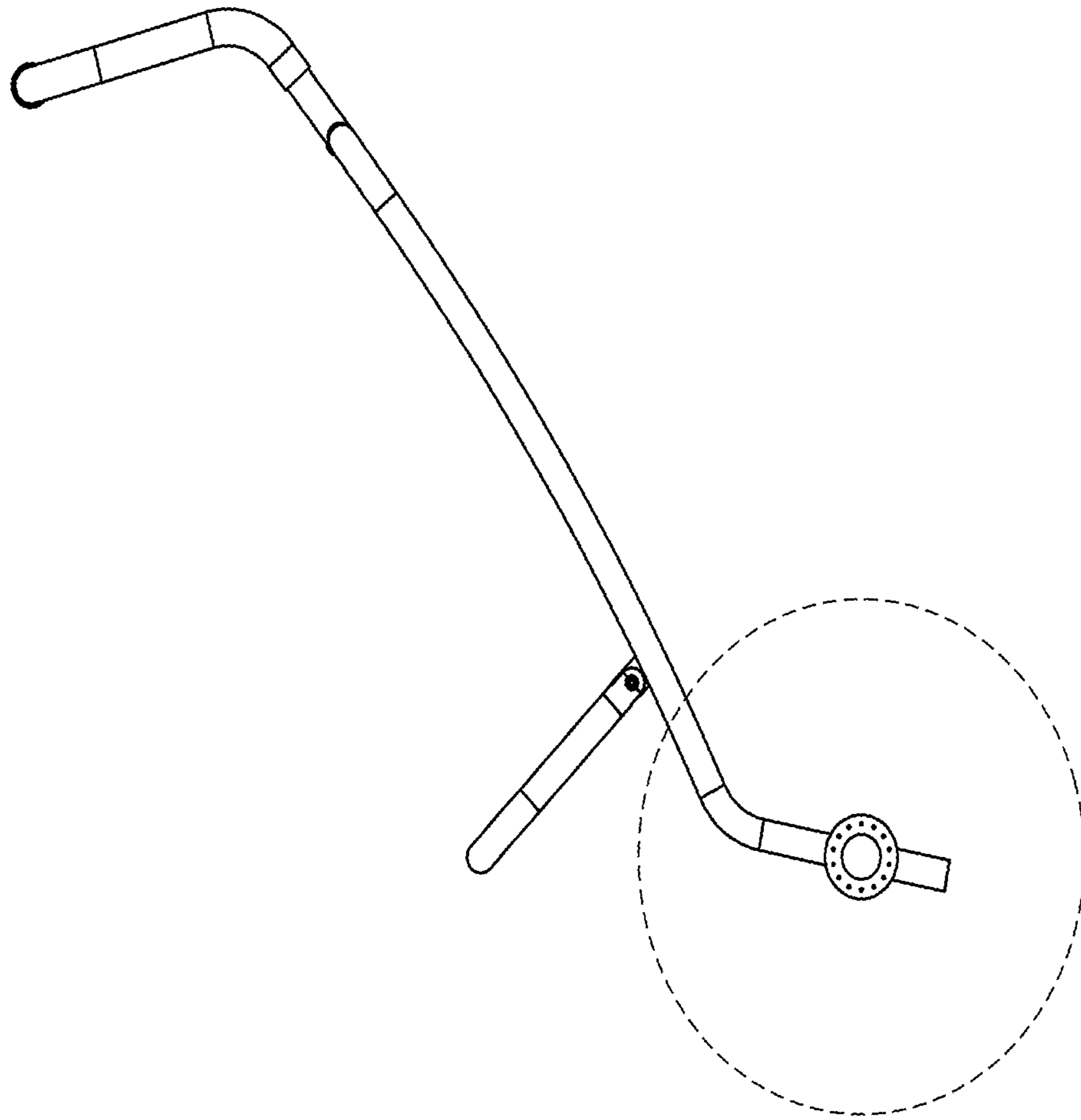


FIG 6

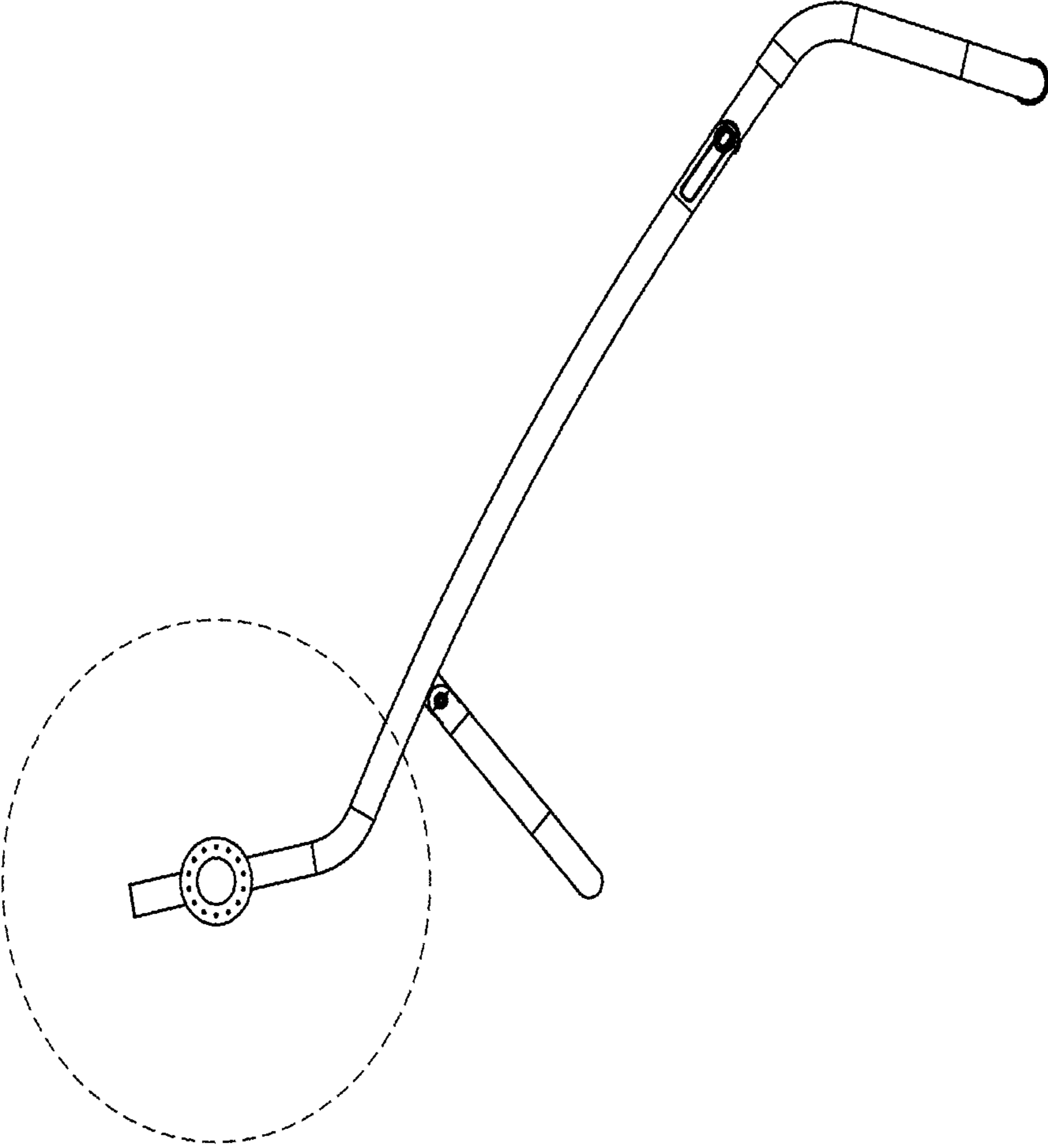


FIG 7