



US00D838074S

(12) **United States Design Patent**
Mangano

(10) **Patent No.:** **US D838,074 S**

(45) **Date of Patent:** **** Jan. 8, 2019**

- (54) **DUST PAN**
- (71) Applicant: **Ingenious Designs LLC**, St. Petersburg, FL (US)
- (72) Inventor: **Joy Mangano**, St. James, NY (US)
- (73) Assignee: **Ingenious Designs LLC**, St. Petersburg, FL (US)
- (**) Term: **15 Years**
- (21) Appl. No.: **29/640,358**
- (22) Filed: **Mar. 14, 2018**
- (51) **LOC (11) Cl.** **07-05**
- (52) **U.S. Cl.**
USPC **D32/74**
- (58) **Field of Classification Search**
USPC D32/74, 41; D30/162; D7/691, 688;
D4/116; 15/257.5, 257.3, 257.2, 257.1;
134/6
CPC A47L 13/52; A47L 13/51; A46B 15/00;
A46B 15/0097; A46B 15/0095; A46B
17/04; A46B 5/00; A46B 2200/302
See application file for complete search history.

- 565,059 A 8/1896 Williams
- 594,756 A 11/1897 Ralph
- 603,003 A 4/1898 Black
- 607,309 A 7/1898 Weir
- 621,683 A 3/1899 Knight
- 626,843 A 6/1899 Richardson
- 735,565 A 8/1903 McCarthy
- 851,441 A 4/1907 Robinson
- 861,195 A 7/1907 Shank
- 1,225,540 A 5/1917 Wells
- 1,376,012 A 4/1921 Freeman
- 1,659,461 A 2/1928 Curran
- 2,171,187 A 8/1939 Millner
- 2,553,727 A 5/1951 Schultz
- D182,087 S 2/1958 Sofro
- 3,121,248 A 2/1964 Ferguson
- 3,156,941 A 11/1964 Tomaiuolo
- 4,483,560 A 11/1984 Lordi
- D286,697 S 11/1986 Marttinen
- 4,802,258 A 2/1989 Jensen
- D304,107 S 10/1989 Noggle
- D347,915 S 6/1994 Berti

(Continued)

Primary Examiner — Austin Murphy
(74) *Attorney, Agent, or Firm* — Galgano IP Law PLLC;
Thomas M. Galgano

(57) **CLAIM**

The ornamental design for a dust pan, as shown and described.

(56) **References Cited**

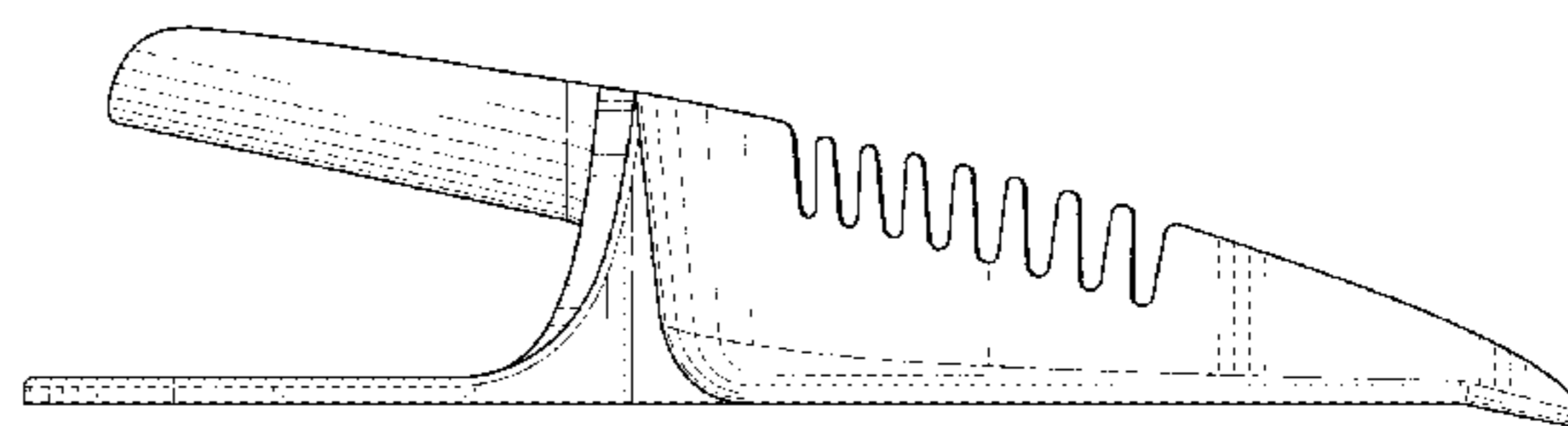
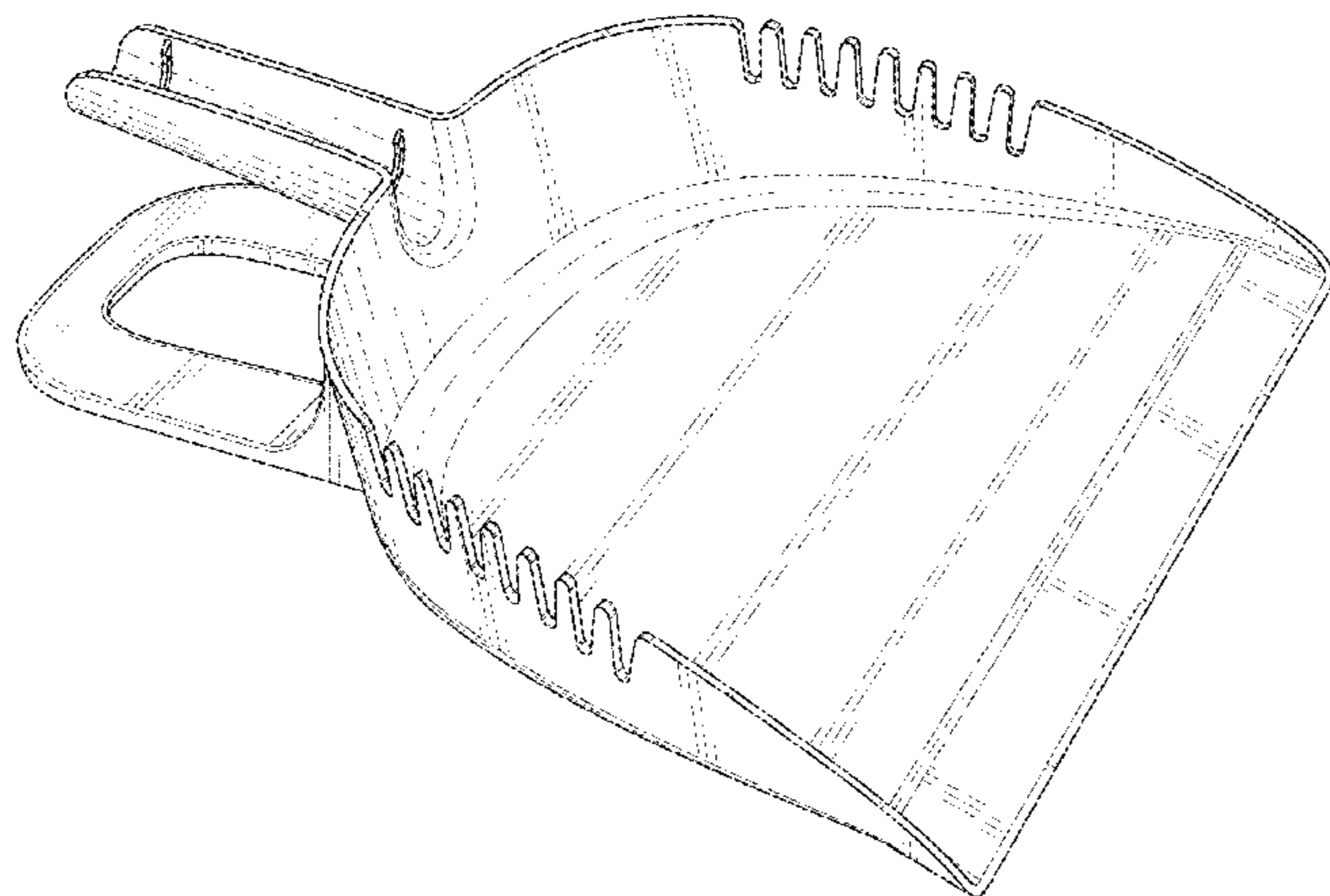
U.S. PATENT DOCUMENTS

- 224,334 A 2/1880 Heath
- 226,877 A 4/1880 Pierce
- 279,676 A 6/1883 Valentine
- 302,075 A 7/1884 Wickersham
- 335,545 A 2/1886 Squier
- 340,146 A 4/1886 Murphy
- 371,973 A 10/1887 Reichert
- 396,668 A 1/1889 Spicer
- 422,240 A 2/1890 Marshall
- 450,670 A 4/1891 Harlan
- 510,762 A 12/1893 Barber
- 561,917 A 6/1896 Rothrock

DESCRIPTION

FIG. 1 is a front and right side perspective view of a dust pan showing my new design;
FIG. 2 is a right side elevation view thereof;
FIG. 3 is a left side elevational view thereof;
FIG. 4 is a front elevational view thereof;
FIG. 5 is a rear elevational view thereof;
FIG. 6 is a top plan view thereof; and,
FIG. 7 is a bottom plan view thereof.

1 Claim, 5 Drawing Sheets



(56)

References Cited

U.S. PATENT DOCUMENTS

5,407,089	A	4/1995	Bird	
5,457,844	A	10/1995	Hanna et al.	
D367,745	S *	3/1996	Feldman	15/257.1
D398,115	S	9/1998	Footer et al.	
5,826,297	A	10/1998	Footer et al.	
D427,739	S *	7/2000	Demore	D32/74
D466,262	S *	11/2002	Chemtob	D32/74
D470,289	S *	2/2003	Petner	D32/74
D475,828	S *	6/2003	Libman	D32/74
D508,760	S *	8/2005	Berti	D32/74
D510,165	S *	9/2005	Berti	D32/74
D586,970	S *	2/2009	Berti	D32/74
D599,072	S *	8/2009	Meyer	D32/74
D630,401	S *	1/2011	Libman	D32/74
D633,267	S *	2/2011	Caleca	D32/74
D667,191	S *	9/2012	Libman	D32/74
D667,192	S *	9/2012	Libman	D32/74
D687,204	S *	7/2013	Vasilakes	D32/74
D711,609	S *	8/2014	Libman	D32/74
D720,910	S *	1/2015	Seifts	D32/74
D721,463	S *	1/2015	Kandasamy	D32/74
D734,911	S *	7/2015	Williams	D32/74
D819,913	S *	6/2018	Beyda	D32/74

* cited by examiner

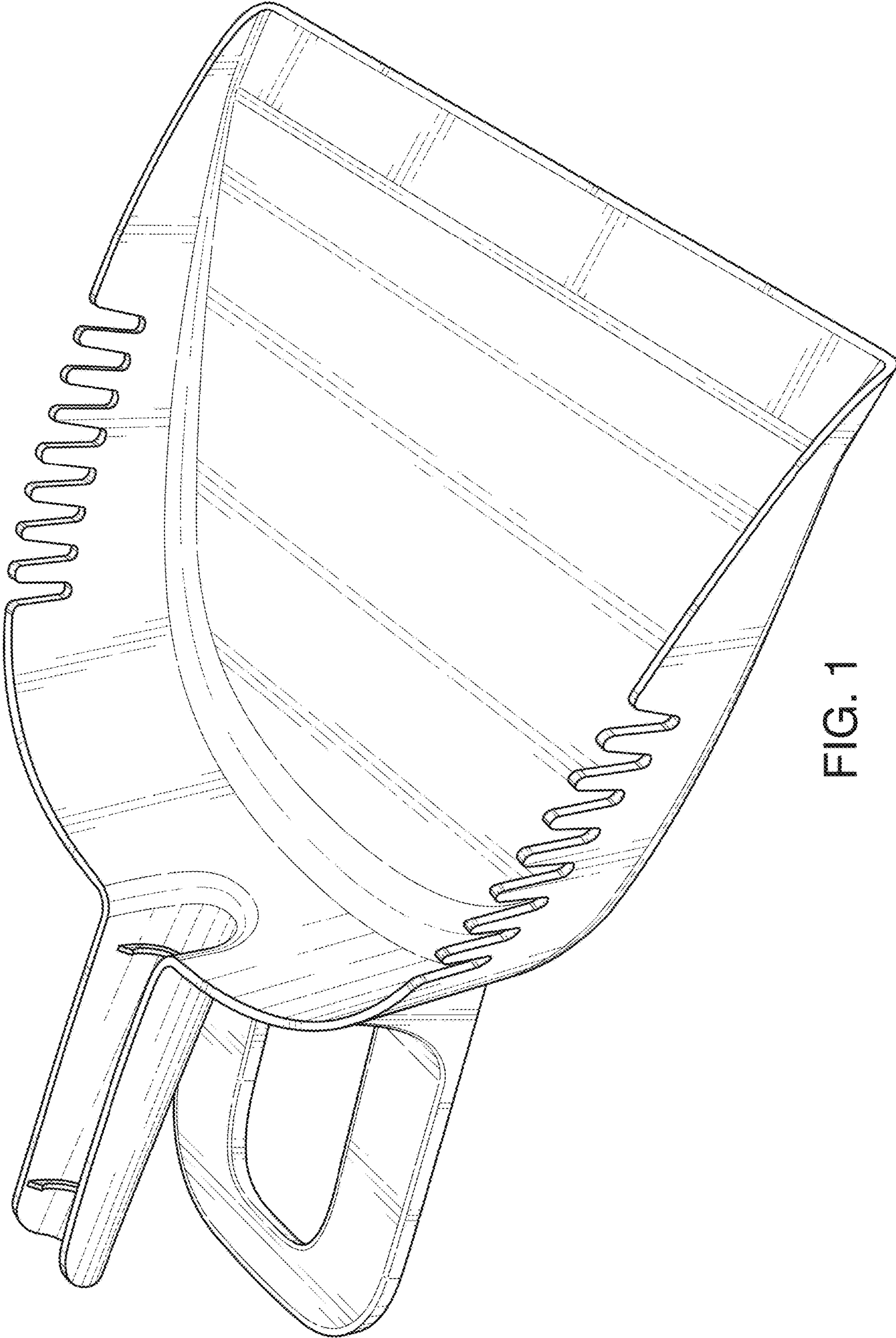


FIG. 1

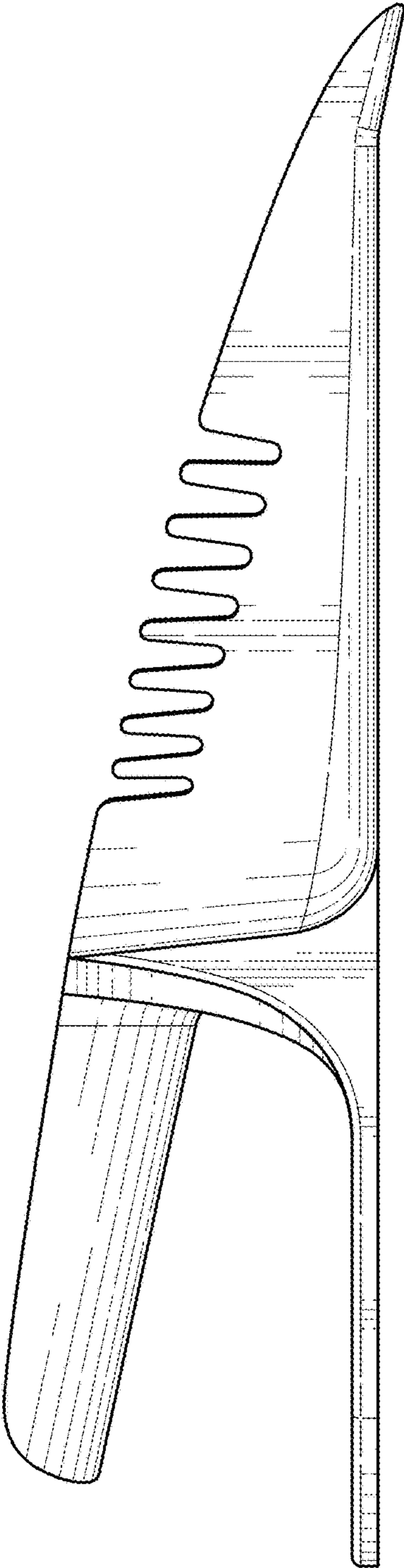


FIG. 2

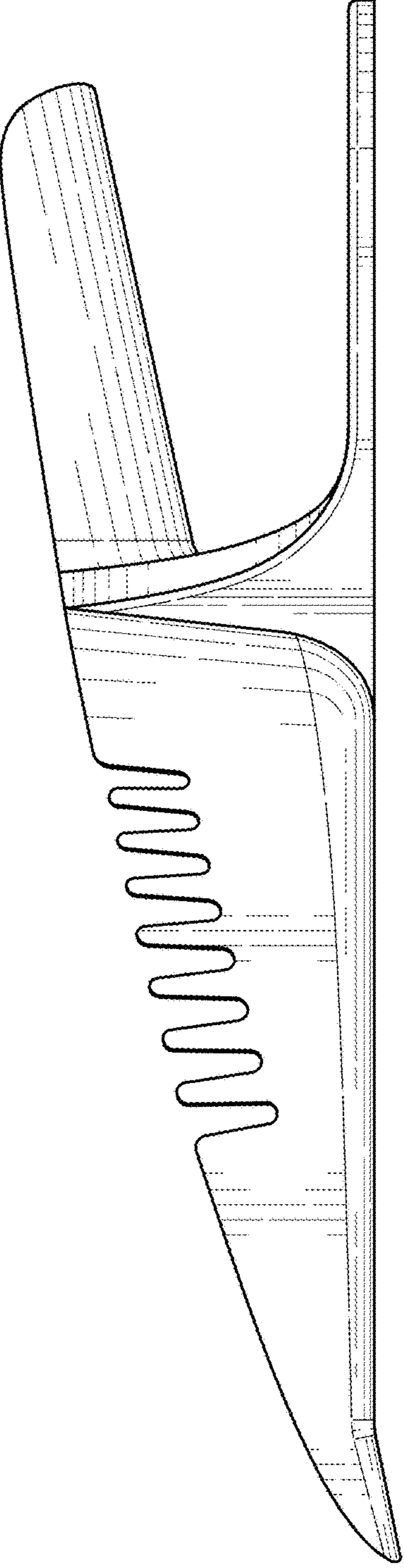


FIG. 3

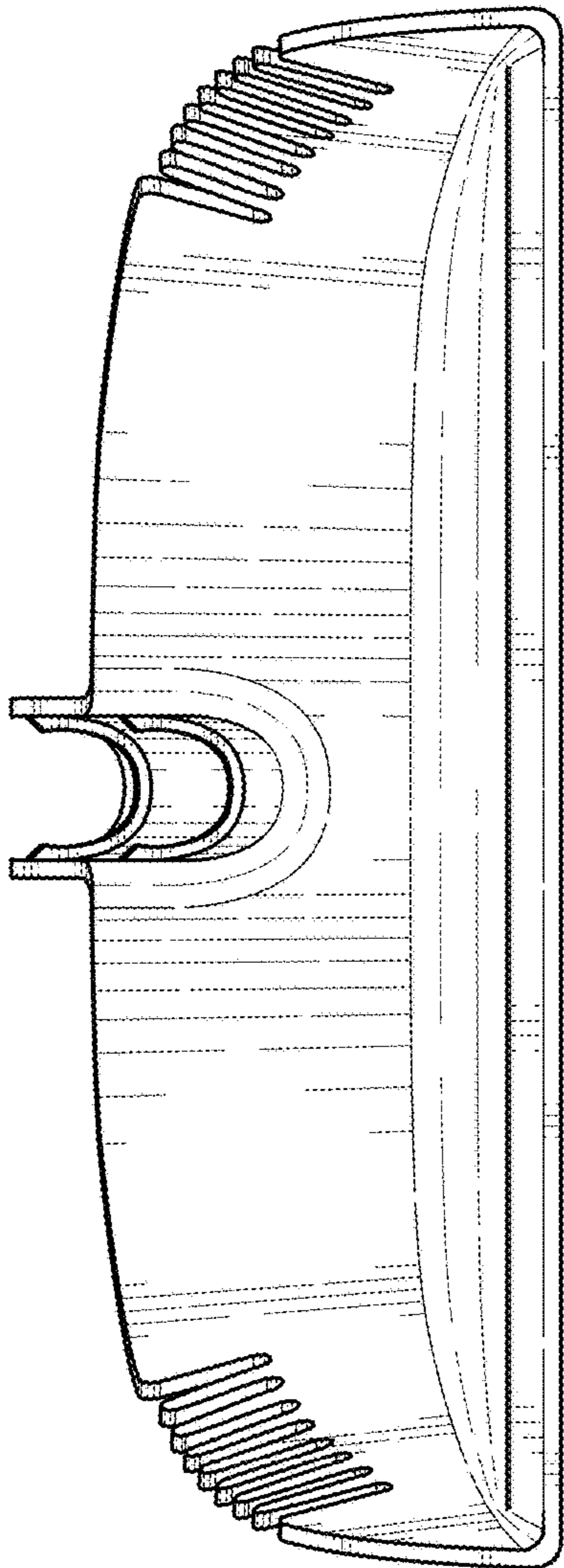


FIG. 4

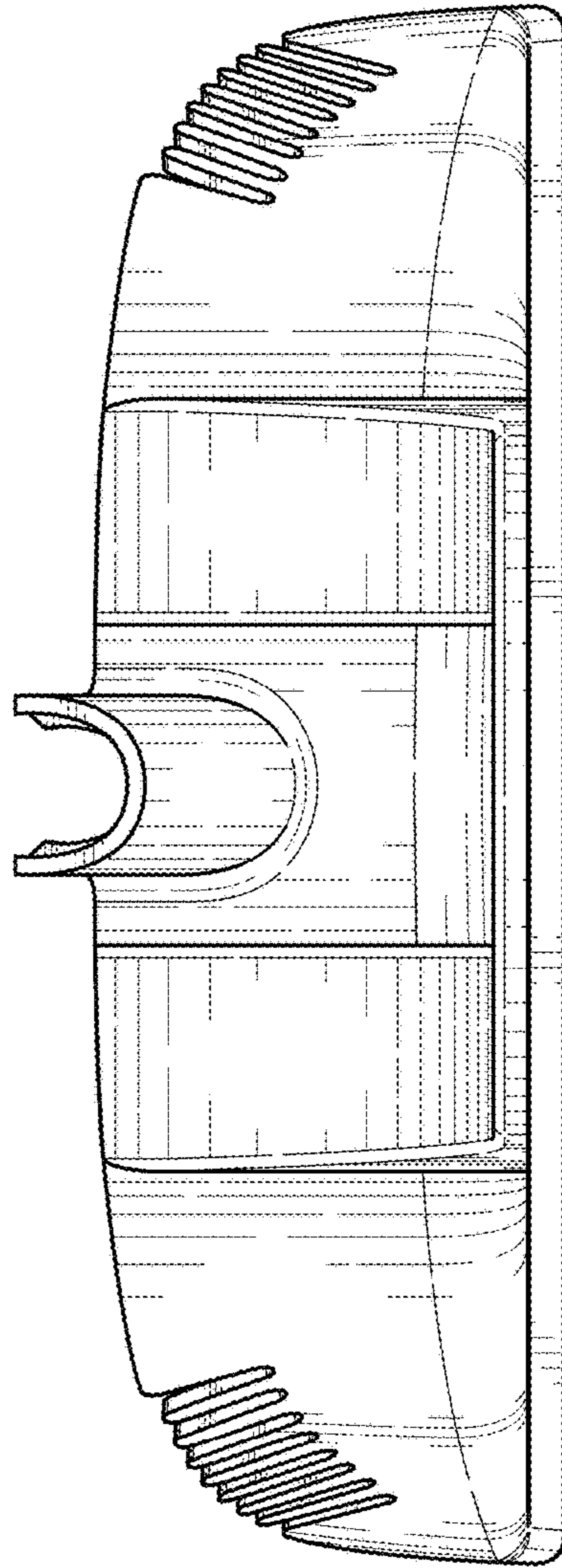


FIG. 5

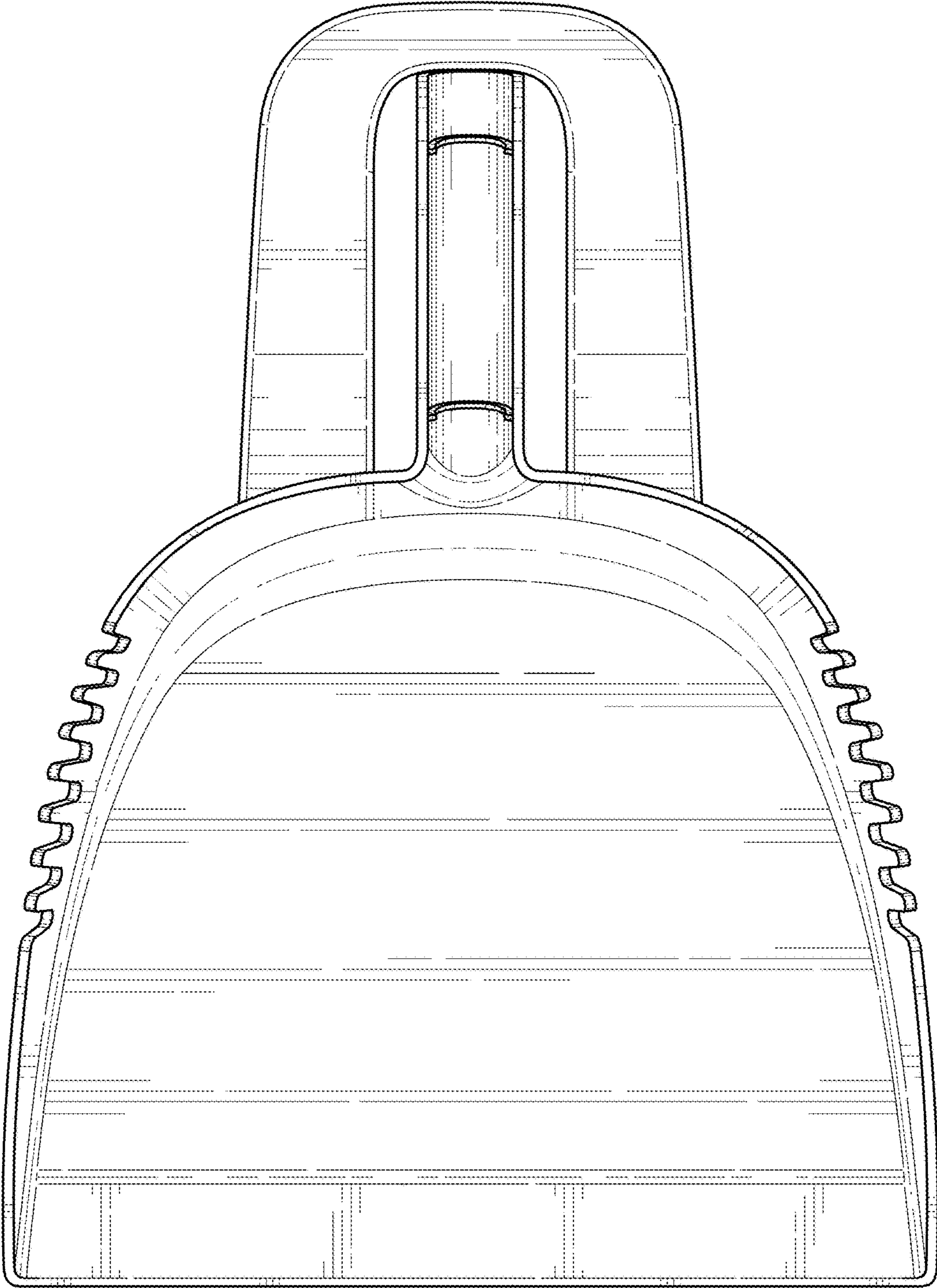


FIG. 6

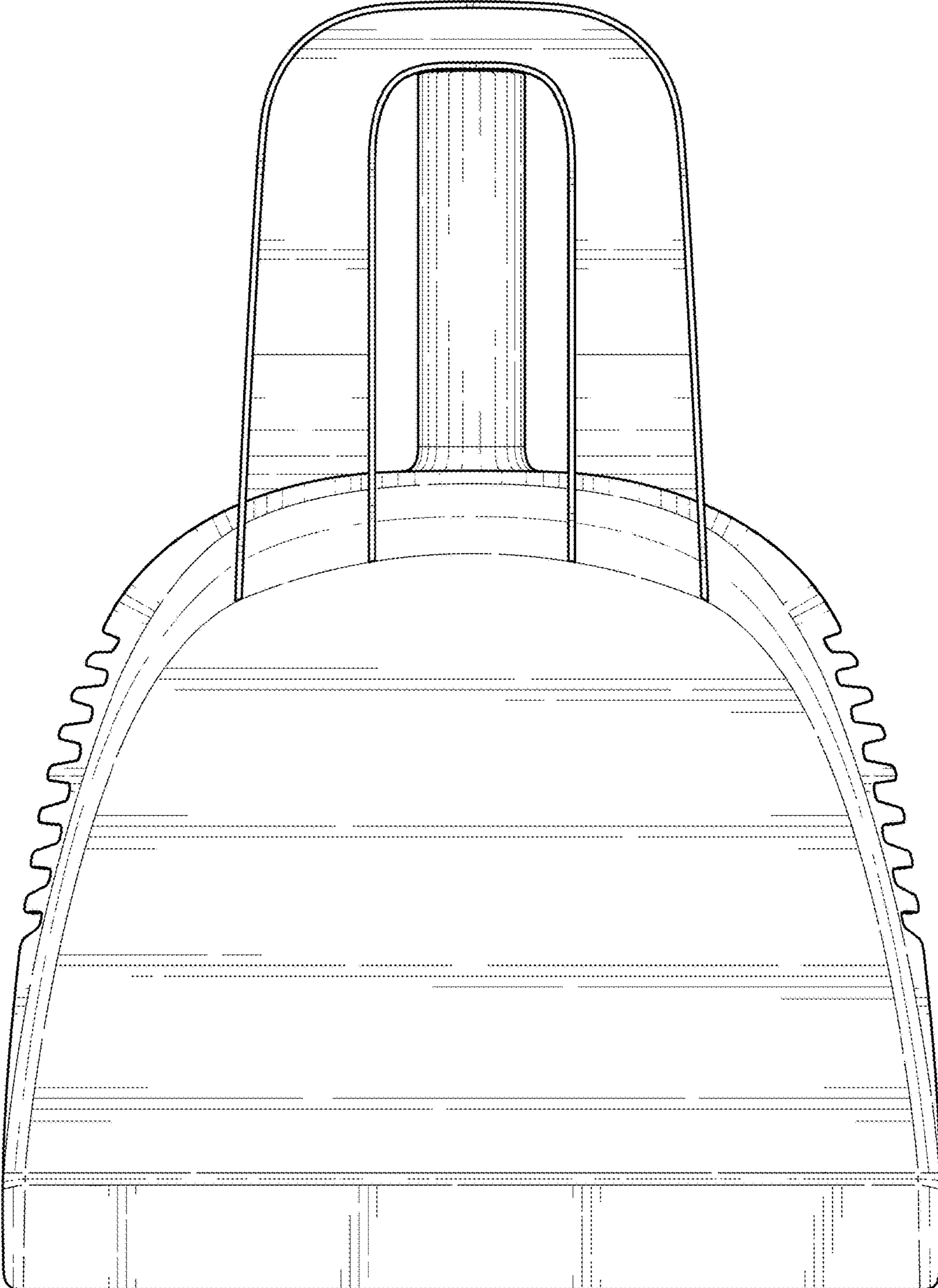


FIG. 7