



US00D838072S

(12) **United States Design Patent**  
**Bergman et al.**

(10) **Patent No.:** **US D838,072 S**  
(45) **Date of Patent:** **\*\* Jan. 8, 2019**

(54) **PAINT CONTAINER**

(71) Applicant: **Bercom International, LLC**,  
Chanhassen, MN (US)

(72) Inventors: **Mark W. Bergman**, Minnetonka, MN  
(US); **Jeffrey T. Given**, St. Paul, MN  
(US); **Matthew V. Leyden**, St. Paul,  
MN (US); **Jeffrey B. Waffensmith**,  
North Oaks, MN (US)

(73) Assignee: **Bercom International, LLC**,  
Chanhassen, MN (US)

(\*\*) Term: **15 Years**

(21) Appl. No.: **29/610,298**

(22) Filed: **Jul. 11, 2017**

(51) **LOC (11) Cl.** ..... **07-07**

(52) **U.S. Cl.**  
USPC ..... **D32/53.1**

(58) **Field of Classification Search**  
USPC ..... D32/53-54; 15/264; 220/669, 752-3,  
220/659, 770, 904, 570; D8/313, 315;  
16/430; D28/56  
CPC ..... A47L 13/58; A47J 47/18; A47J 13/50;  
B65D 25/2802; B65D 25/28; B44D  
3/128; B44D 1/126  
See application file for complete search history.

(56) **References Cited**

**U.S. PATENT DOCUMENTS**

D482,830 S \* 11/2003 Kohn ..... D32/53.1  
D613,016 S \* 3/2010 Bergman ..... D32/54

D647,269 S \* 10/2011 Searcy ..... D32/53.1  
D668,412 S \* 10/2012 Bergman ..... D32/53.1  
D702,907 S \* 4/2014 Bergman ..... D32/54  
D765,935 S \* 9/2016 Horton, III ..... D32/53.1  
D794,892 S \* 8/2017 Bergman ..... D32/53.1  
D796,140 S \* 8/2017 Bergman ..... D32/53.1

\* cited by examiner

*Primary Examiner* — Robin V Webster

(74) *Attorney, Agent, or Firm* — James L. Young;  
Westman, Champlin & Koehler, P.A.

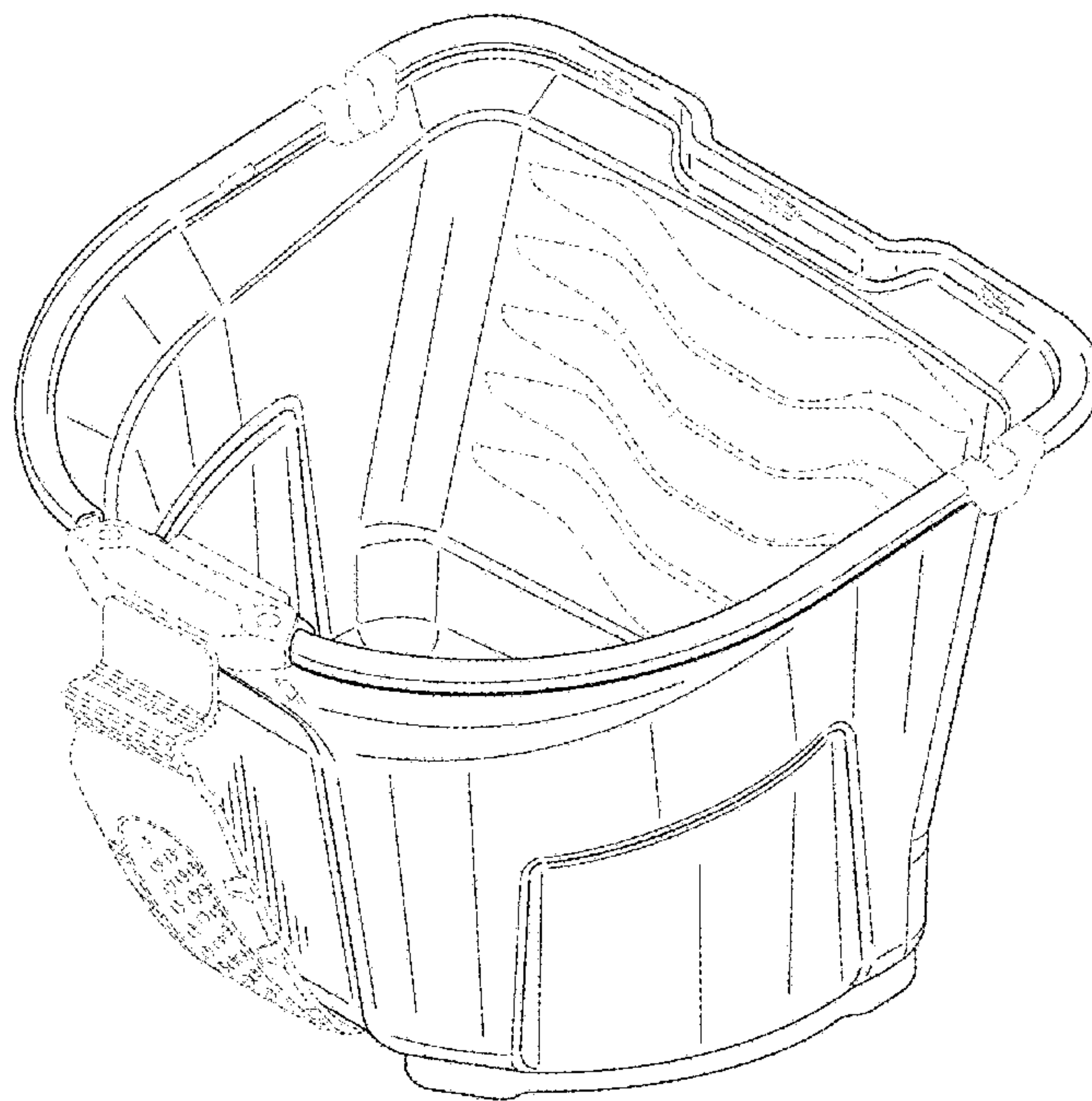
(57) **CLAIM**

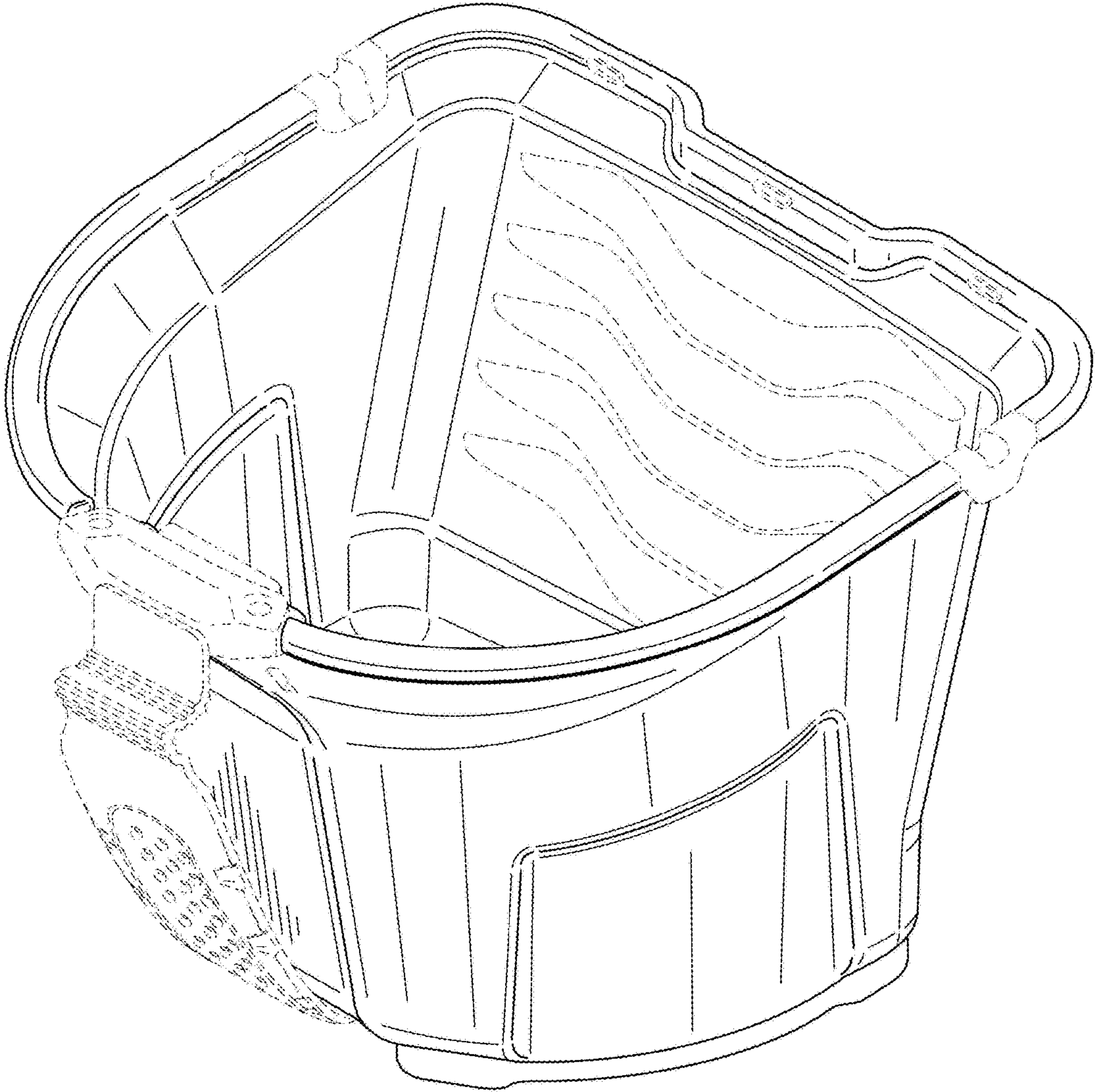
The ornamental design for a paint container, as shown and described.

**DESCRIPTION**

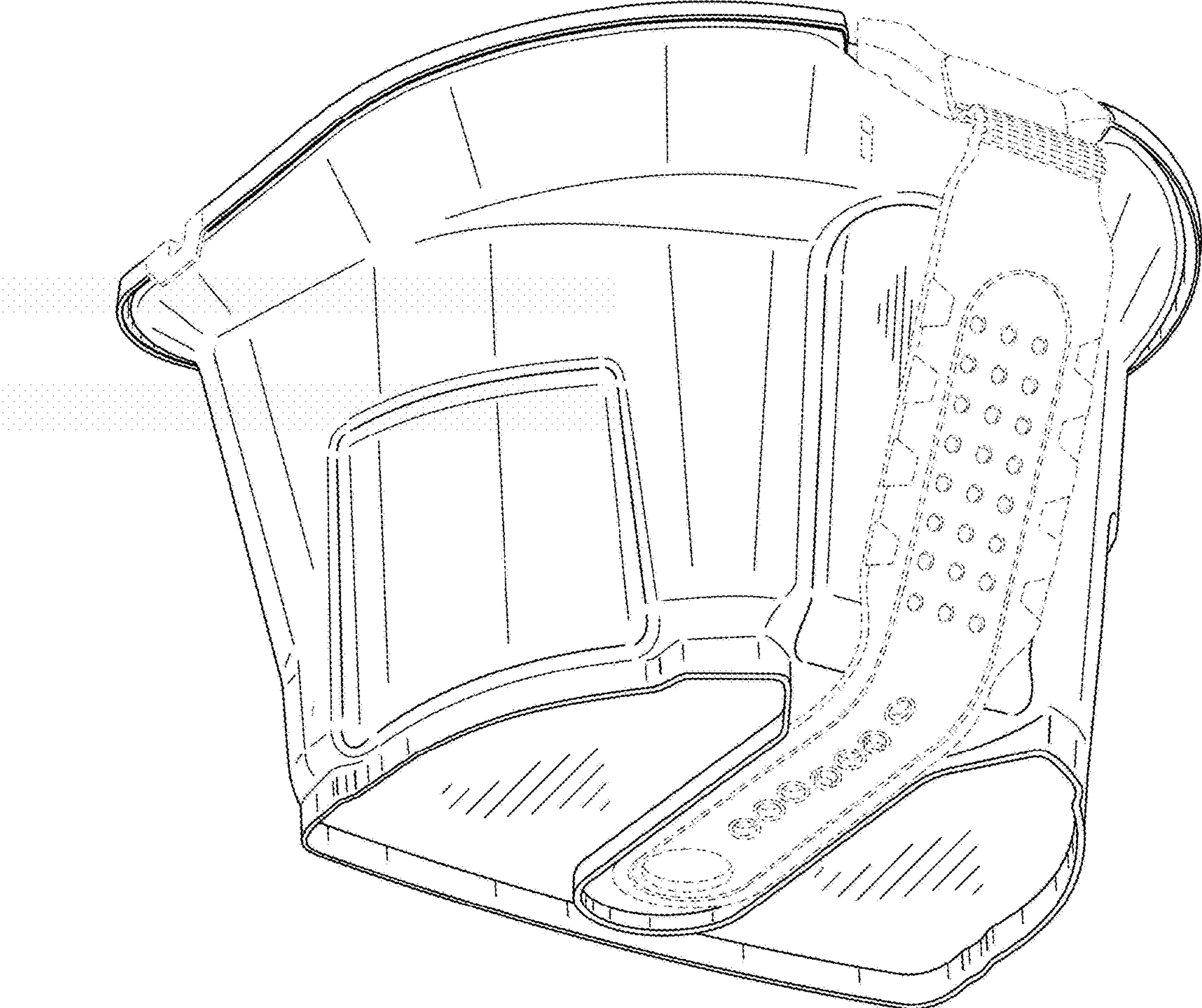
FIG. 1 is a top, right side and back perspective view of a paint container;  
FIG. 2 is a bottom, left side and back perspective view of the container of FIG. 1;  
FIG. 3 is a left side view of the container of FIG. 1;  
FIG. 4 is a right side view of the container of FIG. 1;  
FIG. 5 is a back view of the container of FIG. 1;  
FIG. 6 is a front view of the container of FIG. 1;  
FIG. 7 is a top view of the container of FIG. 1; and,  
FIG. 8 is a bottom view of the container of FIG. 1.  
The dashed lines in the FIGS. are for illustrative purposes only and form no part of the claimed design.  
The dot-dashed-dot lines in the FIGS. represent the border between claimed and unclaimed subject matter and form no part of the claimed design.

**1 Claim, 8 Drawing Sheets**



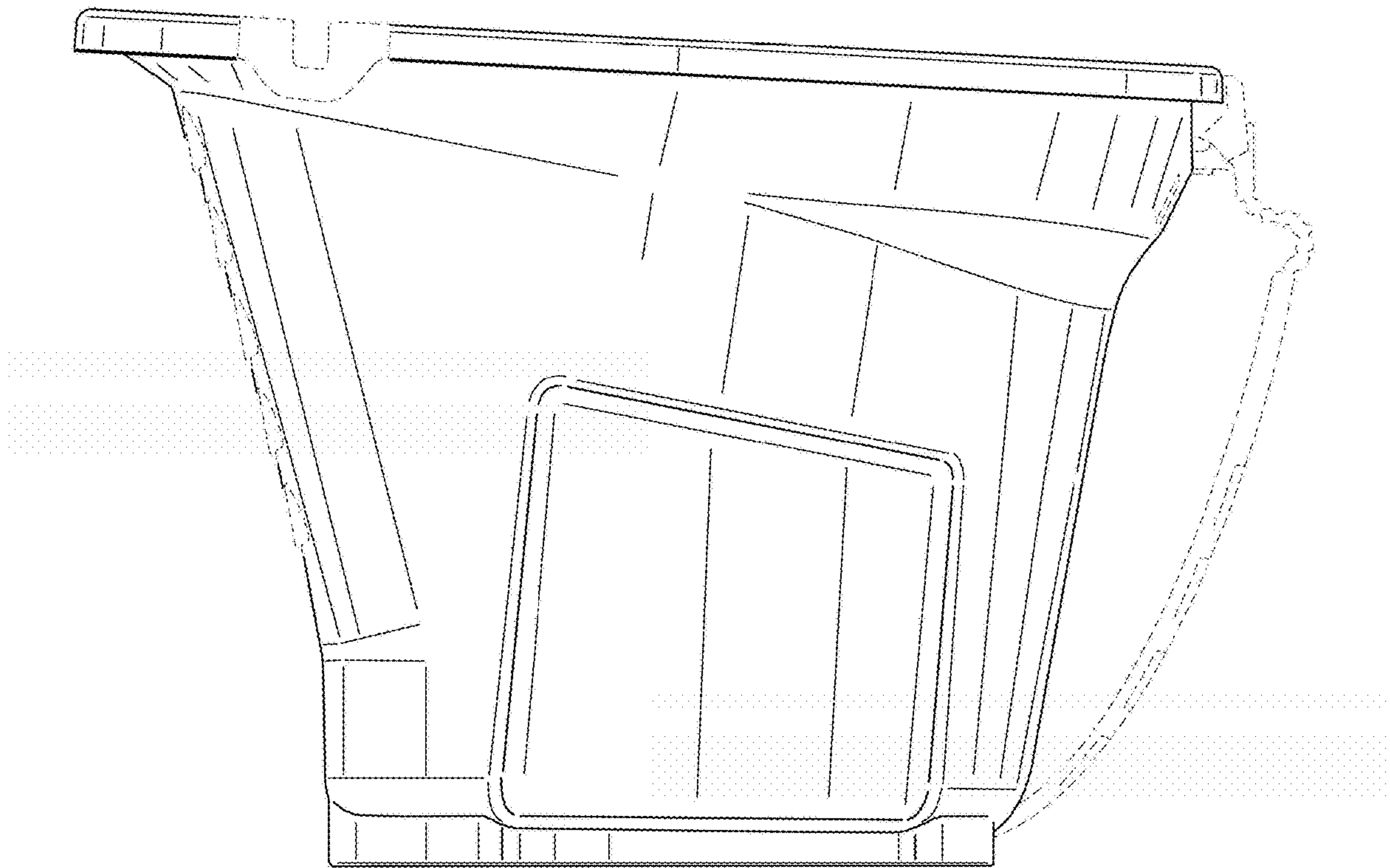


**Fig. 1**

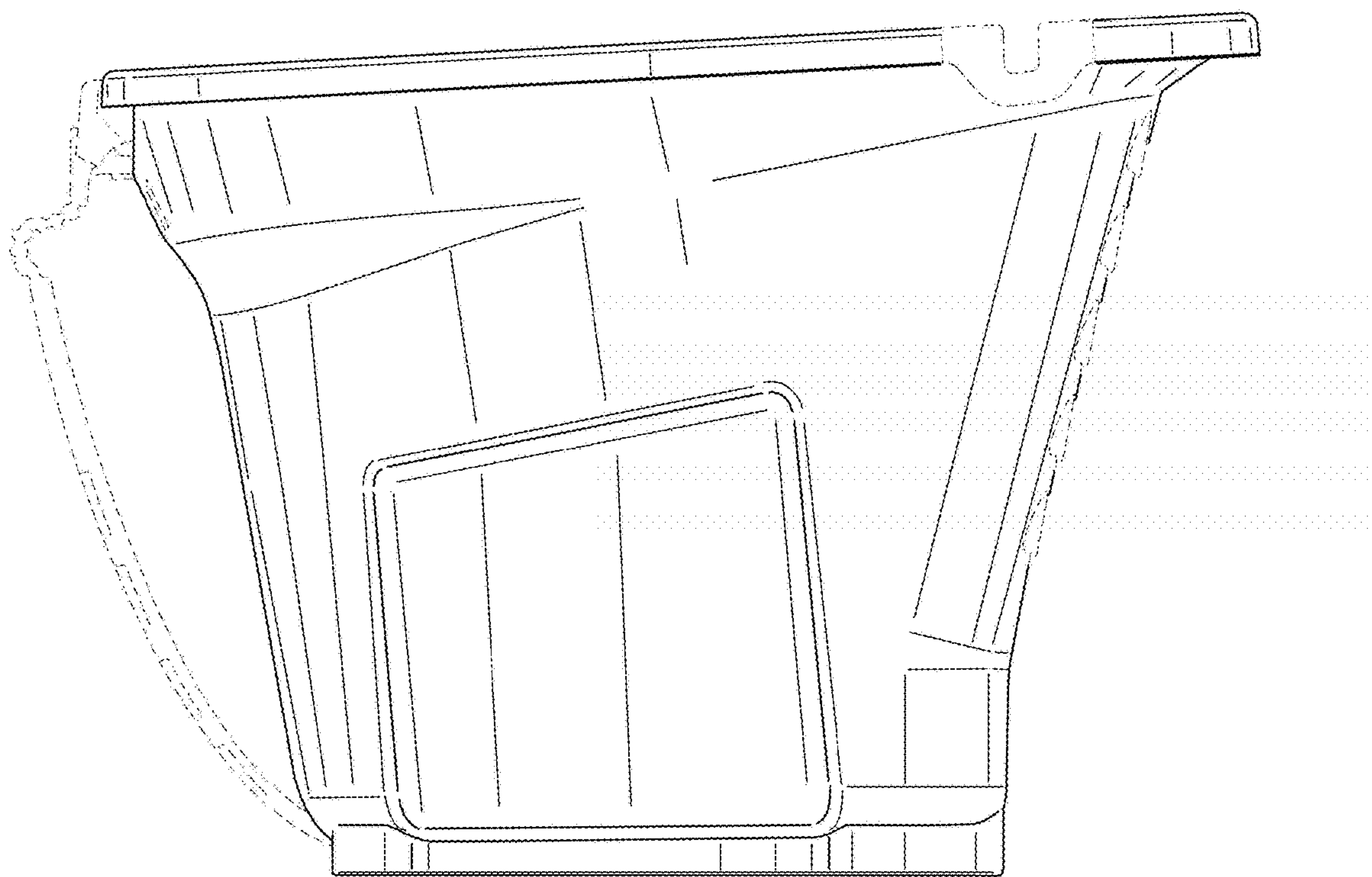


**Fig. 2**

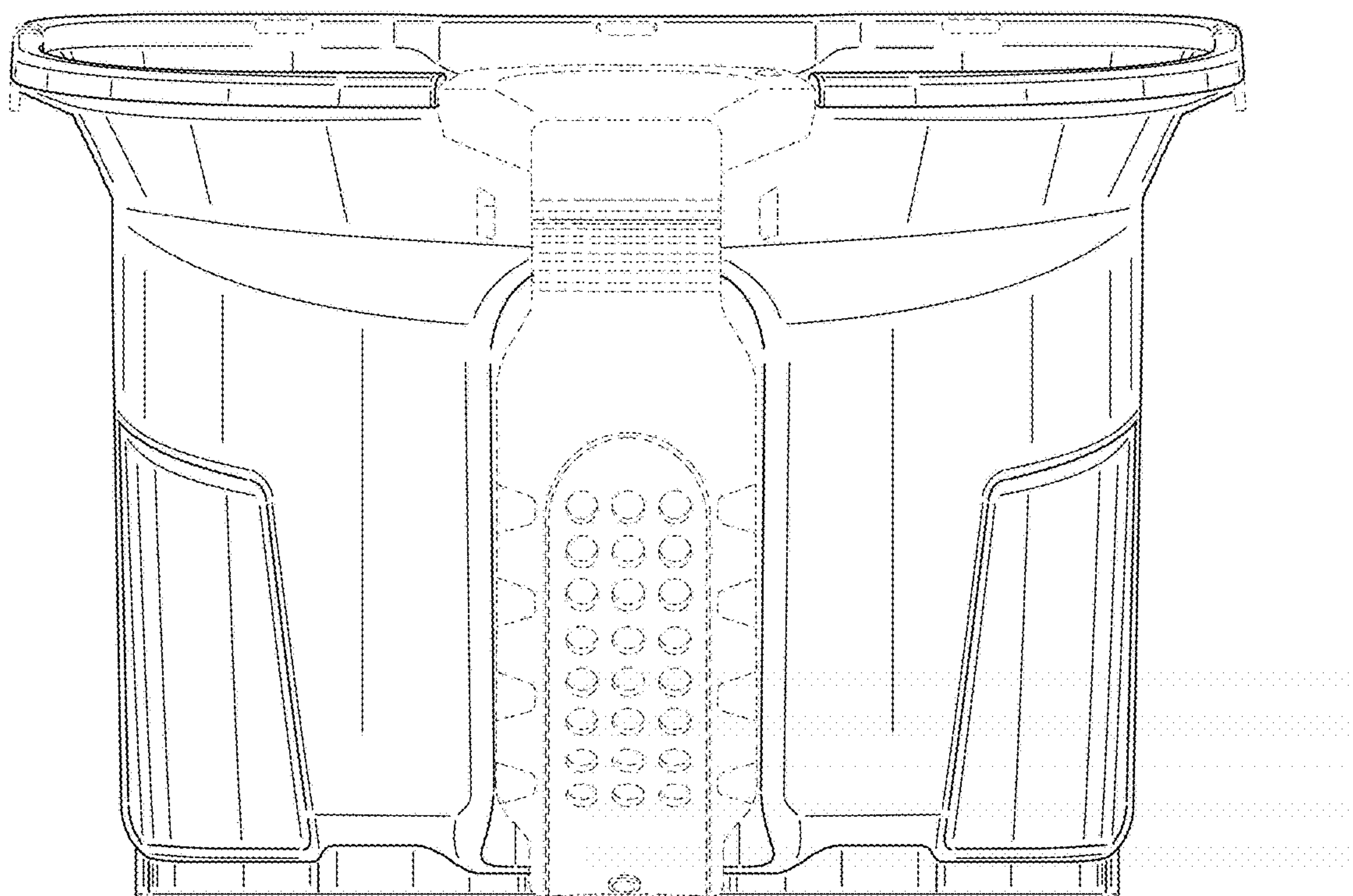




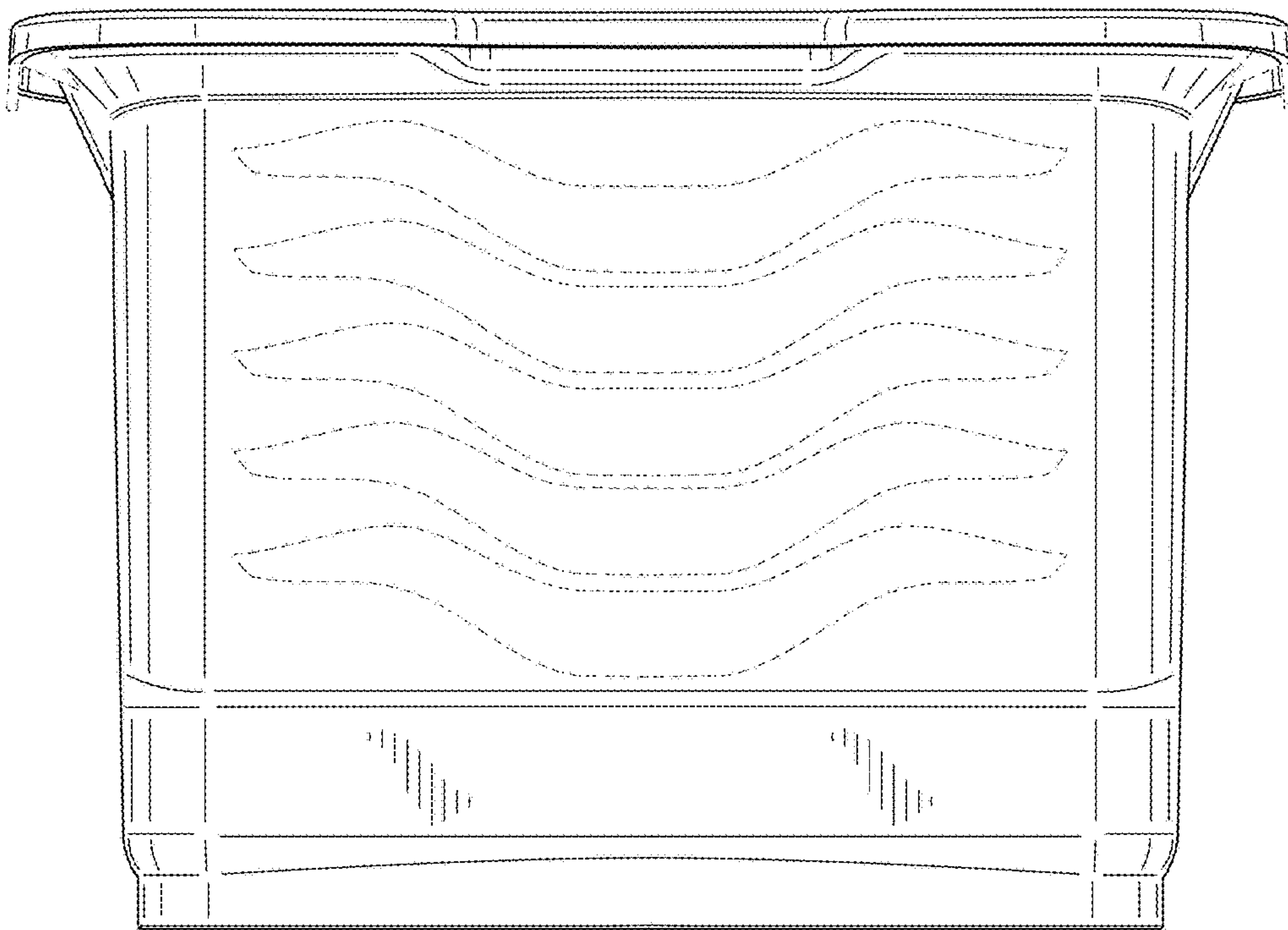
**Fig. 3**



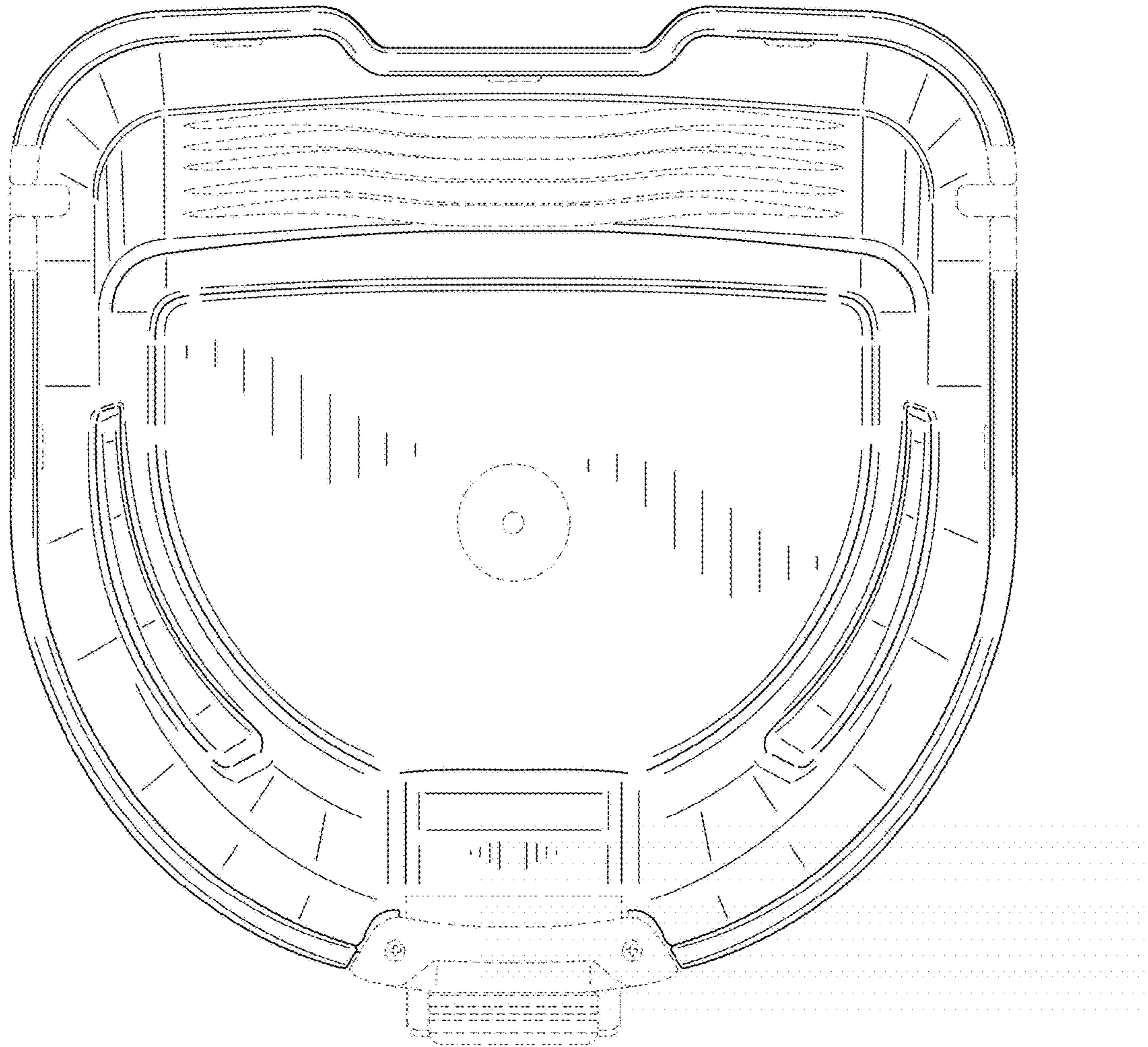
**Fig. 4**



**Fig. 5**



**Fig.6**



**Fig. 7**



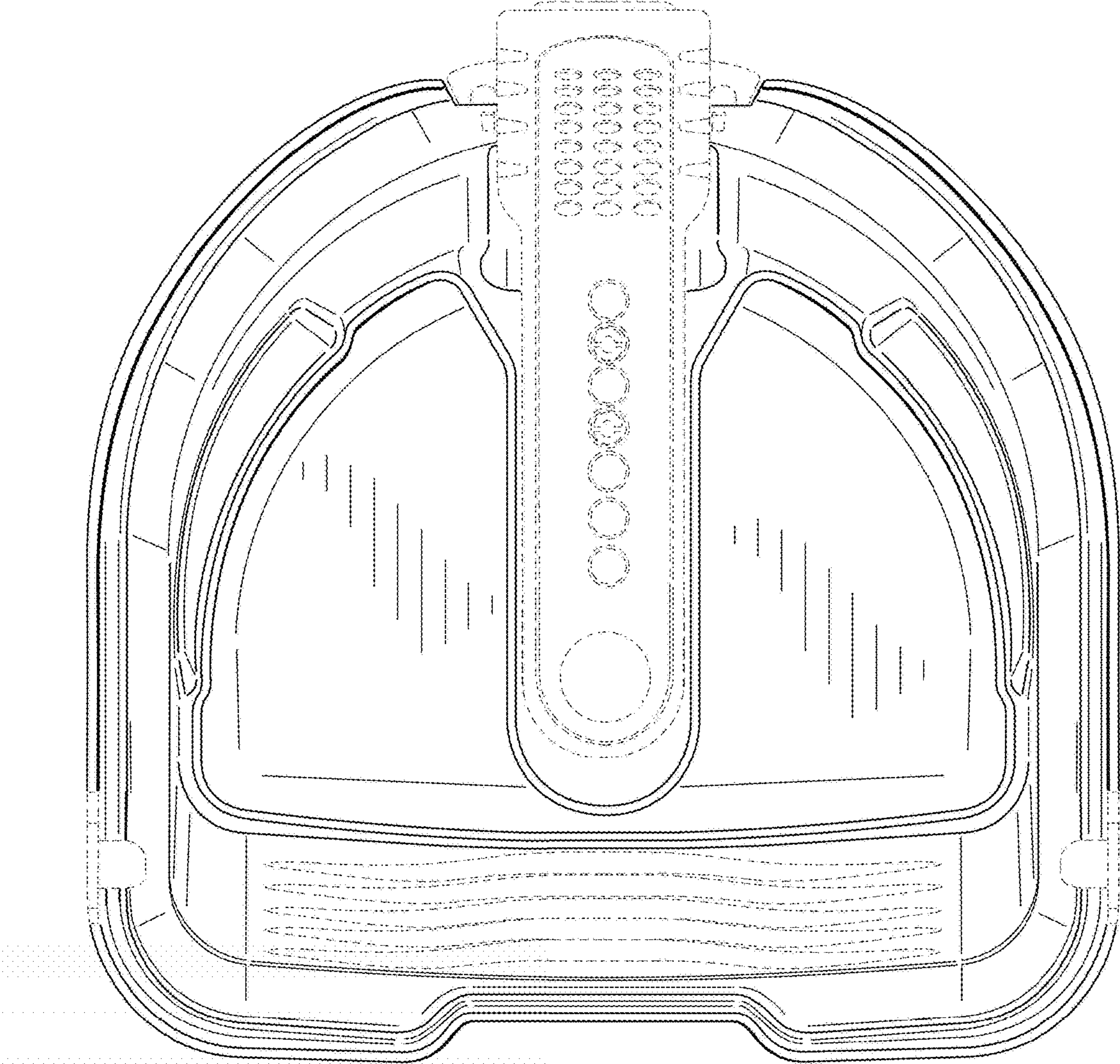


Fig. 8

UNITED STATES PATENT AND TRADEMARK OFFICE  
**CERTIFICATE OF CORRECTION**

PATENT NO. : D838,072 S  
APPLICATION NO. : 29/610298  
DATED : January 8, 2019  
INVENTOR(S) : Mark W. Bergman et al.

Page 1 of 1

It is certified that error appears in the above-identified patent and that said Letters Patent is hereby corrected as shown below:

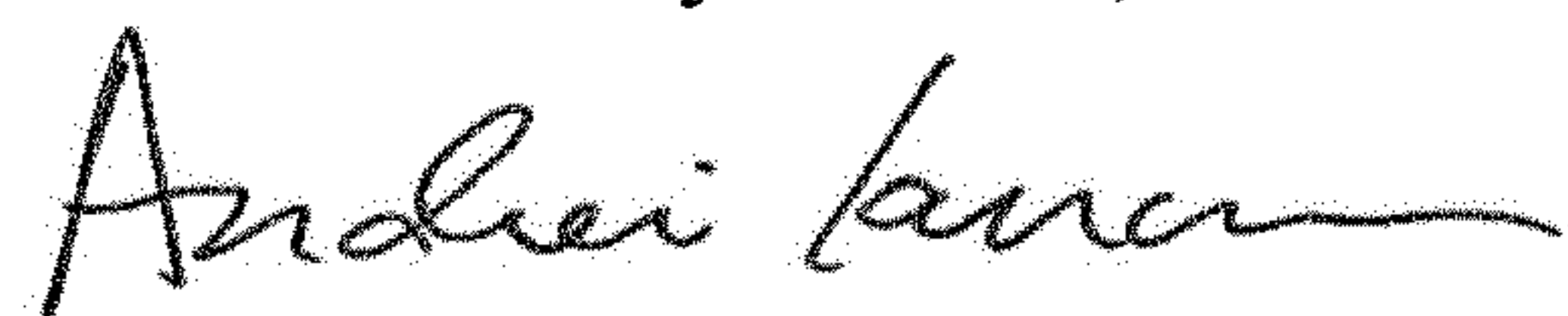
On the Title Page

Below the filing date, please add the following:

Item (63) Related U.S. Application Data

Continuation of application No. 29/564,143, filed on May 11, 2016, now Pat. No. Des. 794,892.

Signed and Sealed this  
Fourth Day of June, 2019



Andrei Iancu  
*Director of the United States Patent and Trademark Office*