



US00D838071S

(12) **United States Design Patent** (10) **Patent No.:** **US D838,071 S**
Robertson et al. (45) **Date of Patent:** **** Jan. 8, 2019**

(54) **PAINT TRAY**

FOREIGN PATENT DOCUMENTS

(71) Applicant: **The Sherwin-Williams Company**,
Cleveland, OH (US)

AU 201714375 9/2017
AU 201715972 9/2017

(Continued)

(72) Inventors: **Joshua R. Robertson**, North
Ridgeville, OH (US); **Michael C.**
Lambertson, Jr., Aurora, OH (US);
Sarah B. Mulroy, Rocky River, OH
(US)

OTHER PUBLICATIONS

“Final Office Action for U.S. Appl. No. 15/413,207”, dated Jun. 12,
2018, 22 pages.

(Continued)

(73) Assignee: **The Sherwin-Williams Company**,
Cleveland, OH (US)

Primary Examiner — Robin V Webster

(74) *Attorney, Agent, or Firm* — Medley, Behrens &
Lewis, LLC

(**) Term: **15 Years**

(57) **CLAIM**

The ornamental design for a paint tray, as shown and
described.

(21) Appl. No.: **29/591,730**

(22) Filed: **Jan. 23, 2017**

DESCRIPTION

(51) **LOC (11) Cl.** **07-07**

(52) **U.S. Cl.**
USPC **D32/53.1**

(58) **Field of Classification Search**
USPC D32/53, 53.1, 54; D7/553.2
See application file for complete search history.

FIG. 1 is a perspective view of an example paint tray
according to our invention;
FIG. 2 is a top view thereof;
FIG. 3 is a bottom view thereof;
FIG. 4 is a front view thereof;
FIG. 5 is a rear view thereof;
FIG. 6 is a left side view thereof; and
FIG. 7 is a right side view thereof;
FIG. 8 is a perspective view of an alternative embodiment of
a paint tray according to our invention;
FIG. 9 is a top view thereof;
FIG. 10 is a bottom view thereof;
FIG. 11 is a front view thereof;
FIG. 12 is a rear view thereof;
FIG. 13 is a left side view thereof; and,
FIG. 14 is a right side view thereof.
The broken line showings of FIGS. 1-14 are for illustrative
purposes only and form no part of the claimed design.

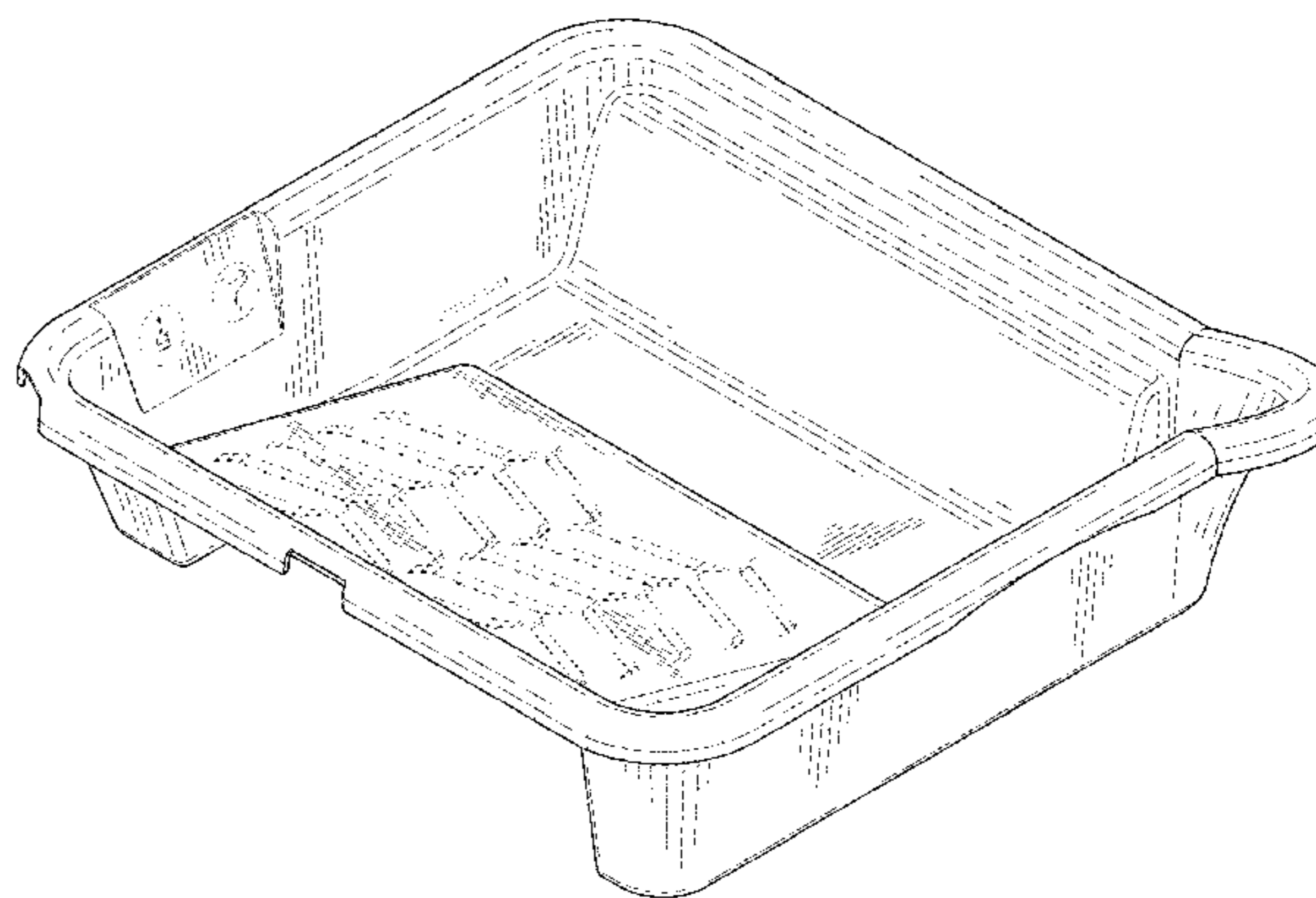
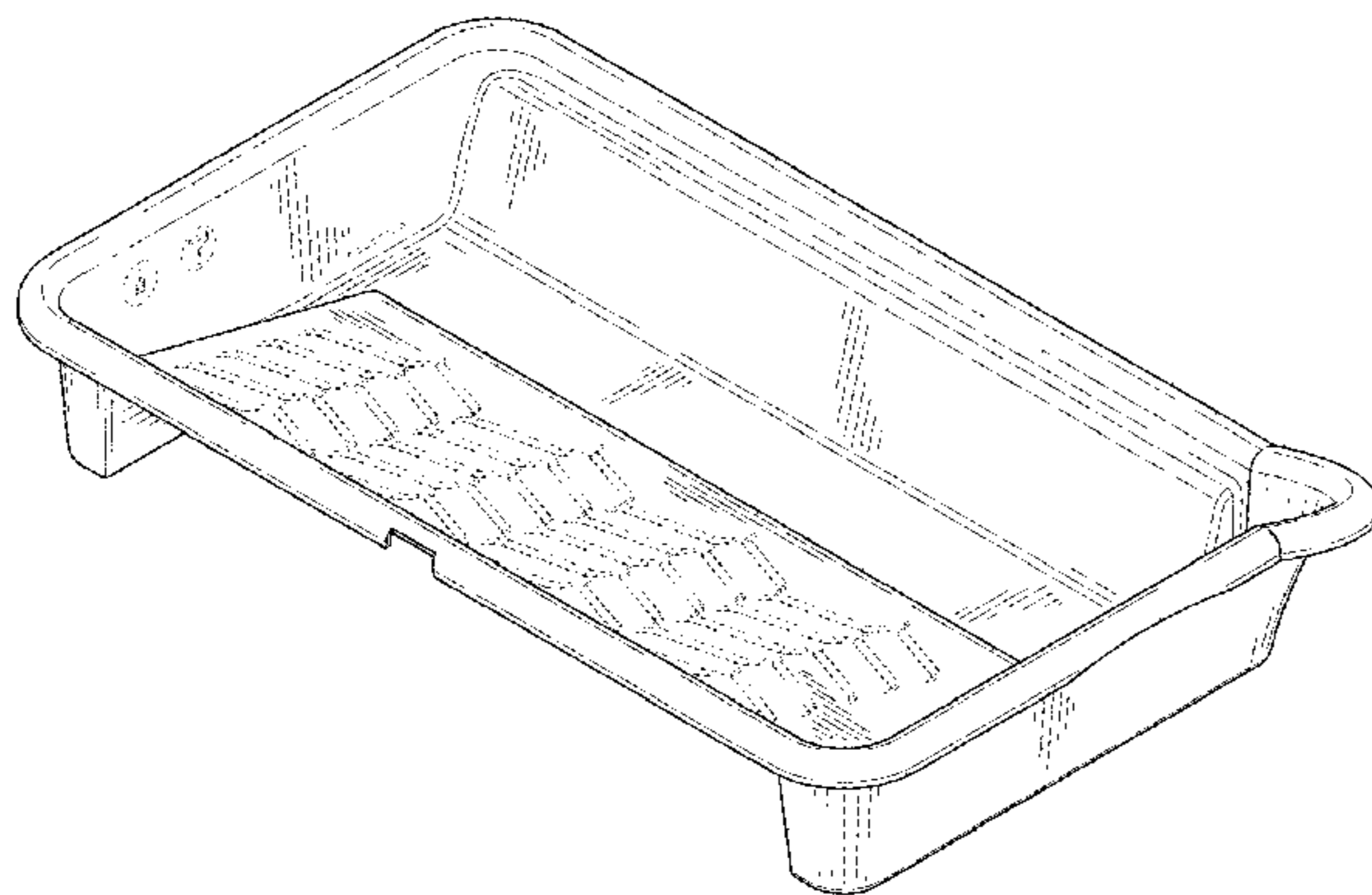
(56) **References Cited**

U.S. PATENT DOCUMENTS

1,471,712	A	10/1923	Sohnle	
2,922,176	A	1/1960	Bernhardt	
3,707,242	A	12/1972	Golden et al.	
3,776,371	A	12/1973	Linger	
5,511,279	A	4/1996	Ippolito	
5,645,164	A	7/1997	Hocking	
5,810,196	A	9/1998	Lundy	
D461,288	S *	8/2002	Tennant D32/53.1
6,996,872	B2 *	2/2006	Tennant B44D 3/126 15/257.05

(Continued)

1 Claim, 10 Drawing Sheets



(56)

References Cited

U.S. PATENT DOCUMENTS

D582,118	S	12/2008	Chafe et al.
7,648,022	B1	1/2010	Freeauf
7,703,631	B2	4/2010	Chafe et al.
8,123,066	B2	2/2012	Chafe et al.
D684,329	S *	6/2013	Church D32/53.1
D694,975	S *	12/2013	Lambertson, Jr. D32/53
D694,976	S *	12/2013	Lambertson, Jr. D32/53
D694,979	S	12/2013	Lambertson, Jr. et al.
8,887,940	B2	11/2014	Kiceniuk, Jr. et al.
D728,883	S *	5/2015	Kempton D32/53.1
2003/0042262	A1	3/2003	Young
2004/0195248	A1	10/2004	Garcia
2005/0252920	A1	11/2005	Cumming et al.
2009/0050632	A1	2/2009	Martin
2009/0277913	A1	11/2009	Bergman
2010/0266767	A1	10/2010	DeHart
2015/0114968	A1	4/2015	Jolls
2015/0336422	A1	11/2015	Tuzi
2018/0207976	A1	7/2018	Robertson et al.

FOREIGN PATENT DOCUMENTS

AU	201715973	9/2017
AU	201715974	9/2017

CN	203576441	U	5/2014
GB	6015765		7/2017
GB	6015766		7/2017
GB	6015767		7/2017
GB	6015768		7/2017
WO	1998058850	A1	12/1998
WO	2018136928	A1	7/2018
WO	2018136930	A1	7/2018

OTHER PUBLICATIONS

“Non-Final Office Action for U.S. Appl. No. 15/413,207”, dated Nov. 24, 2017, 17 pages.

“Office Action for Canadian Patent Application No. 176029”, dated Mar. 9, 2018, 8 pages.

“International Search Report and Written Opinion for PCT Patent Application No. PCT/US2018/014829”, dated May 17, 2018, 8 pages.

“International Search Report and Written Opinion for PCT Patent Application No. PCT/US2018/014836”, dated Apr. 5, 2018, 7 pages.

* cited by examiner

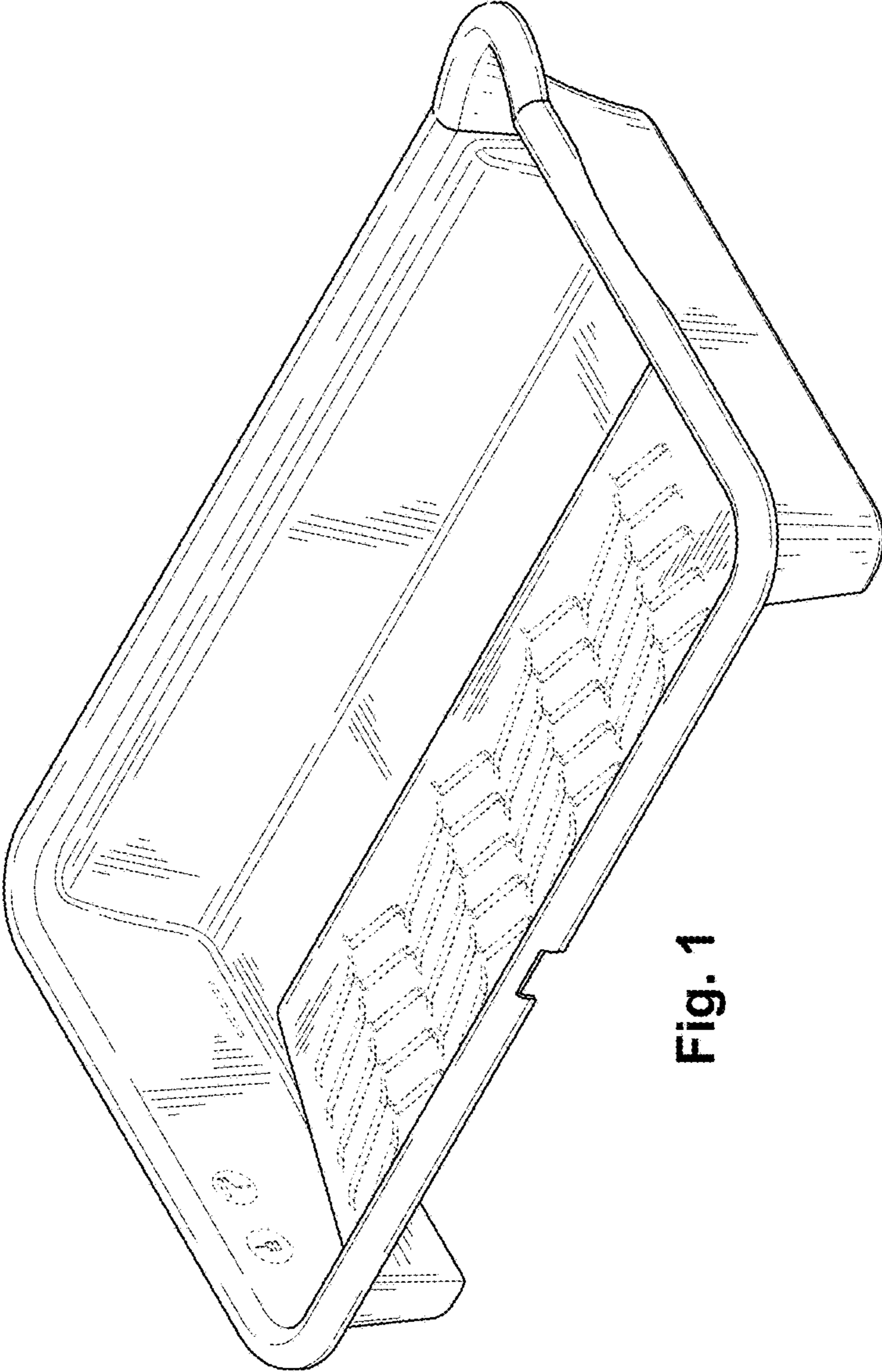


Fig. 1

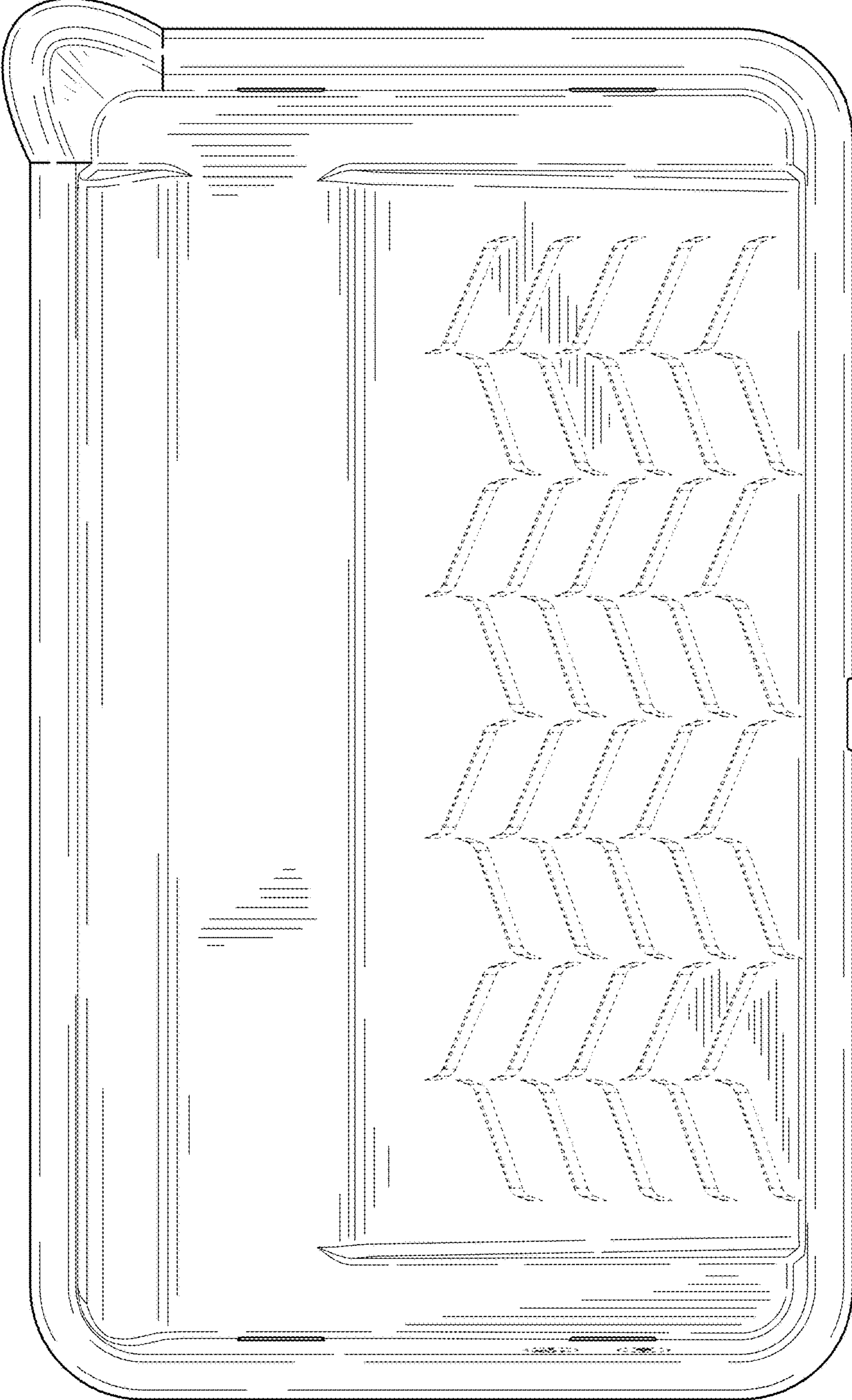


Fig. 2

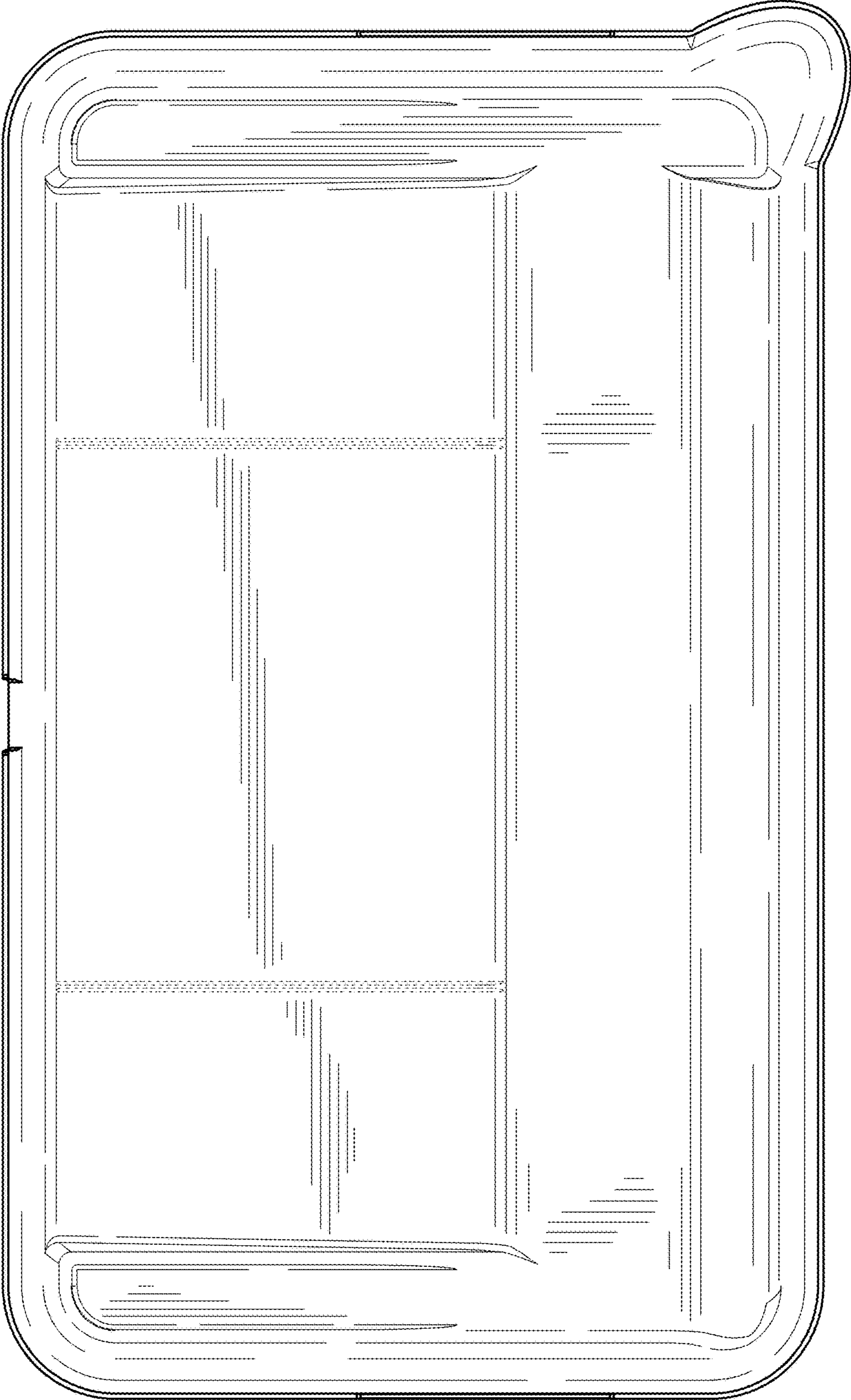


Fig. 3

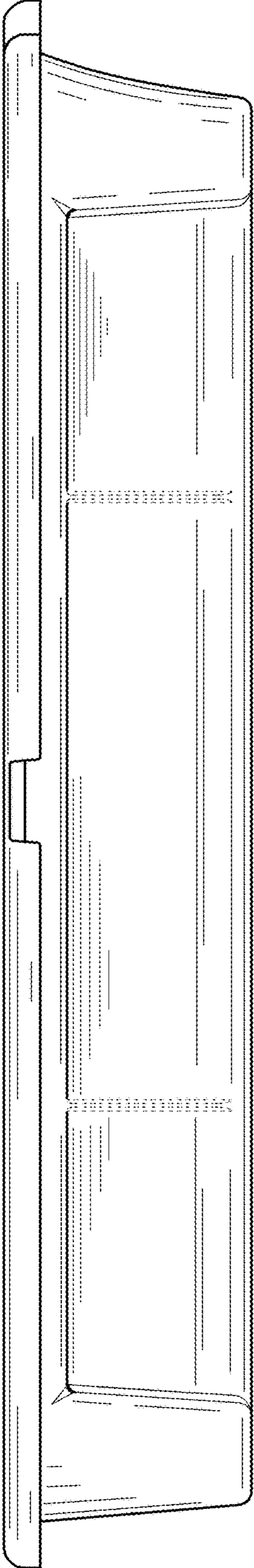


Fig. 4

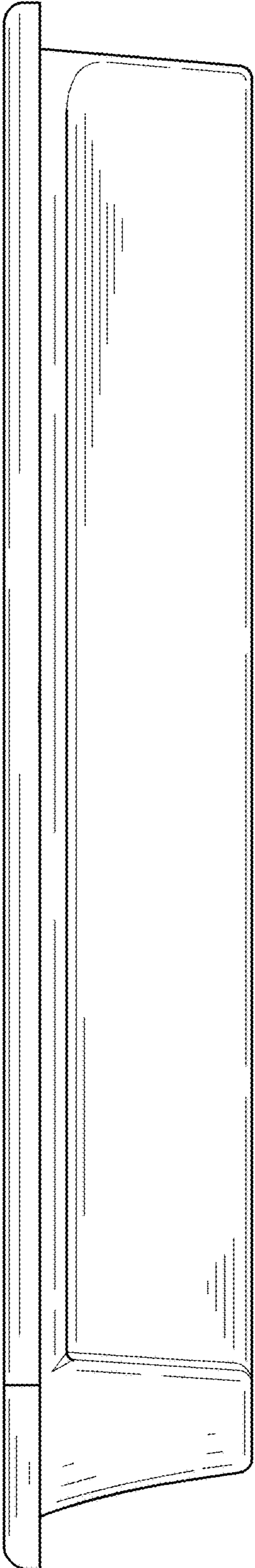


Fig. 5

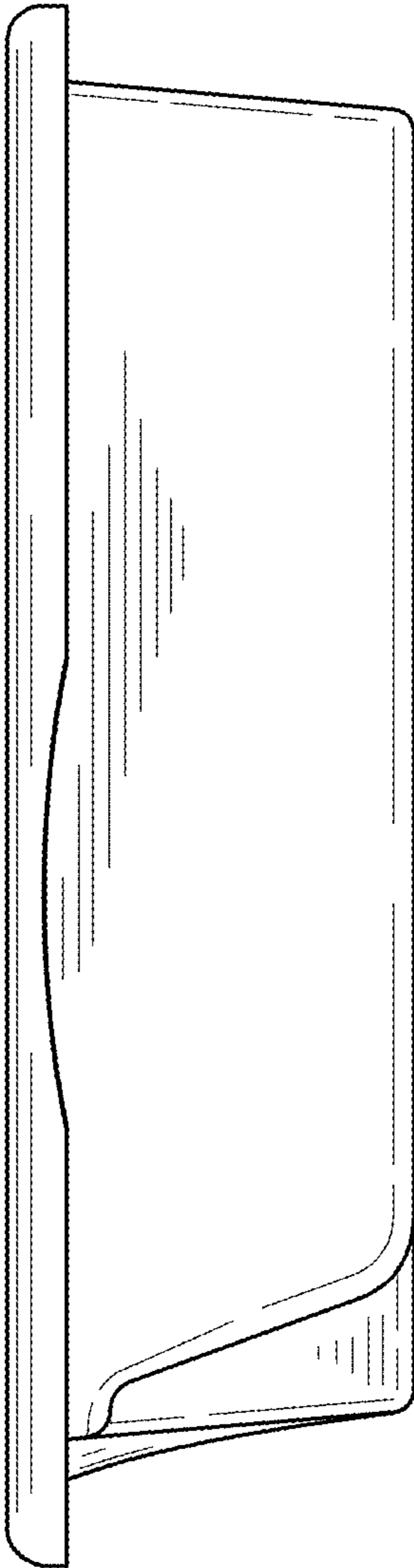


Fig. 6

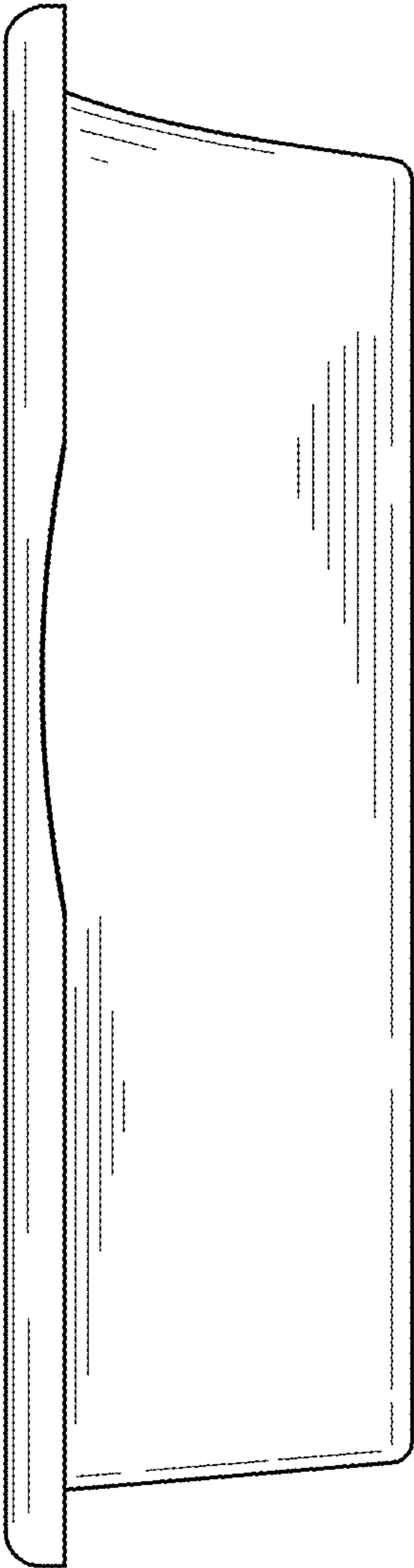


Fig. 7

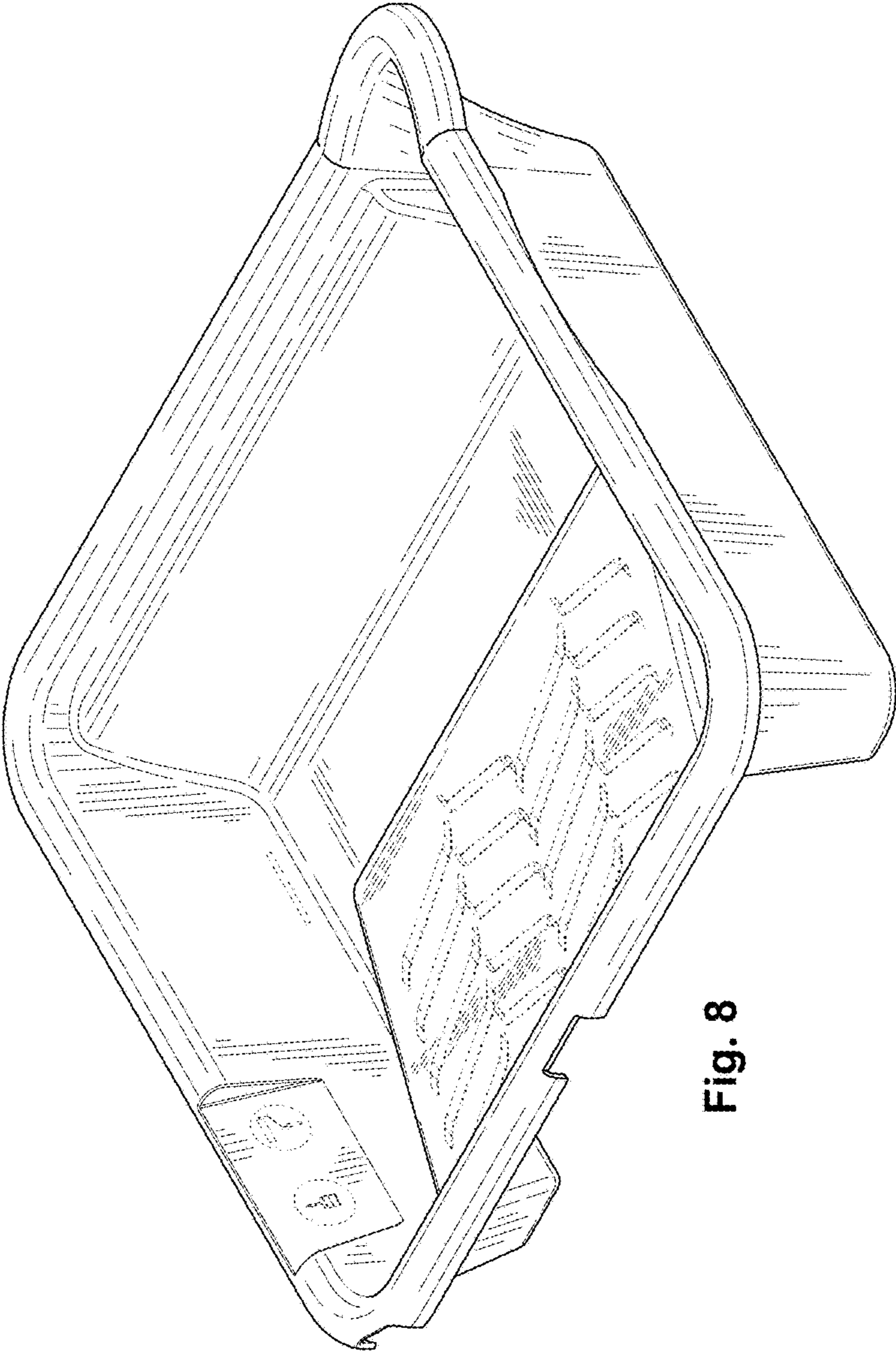


Fig. 8

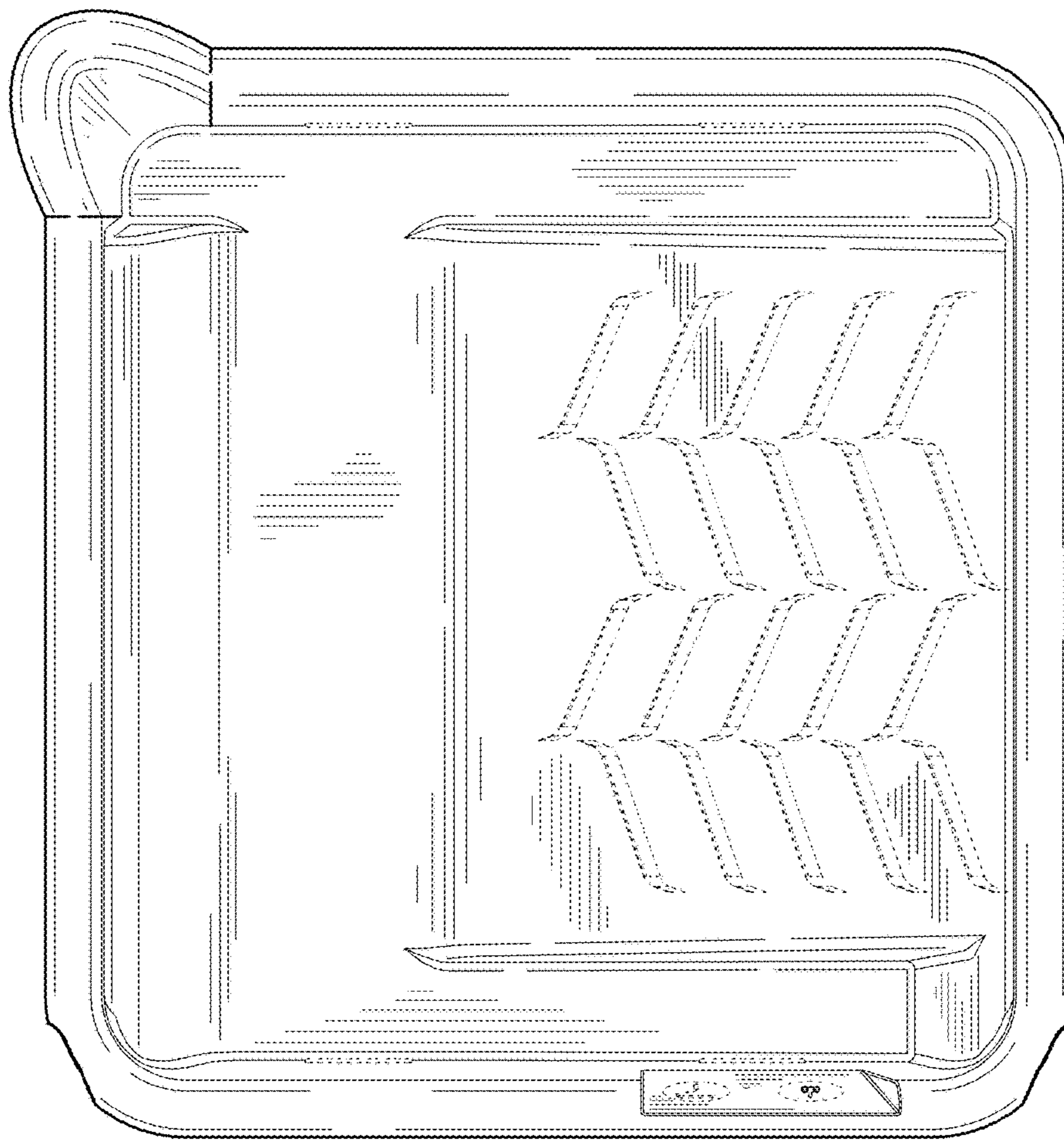


Fig. 9

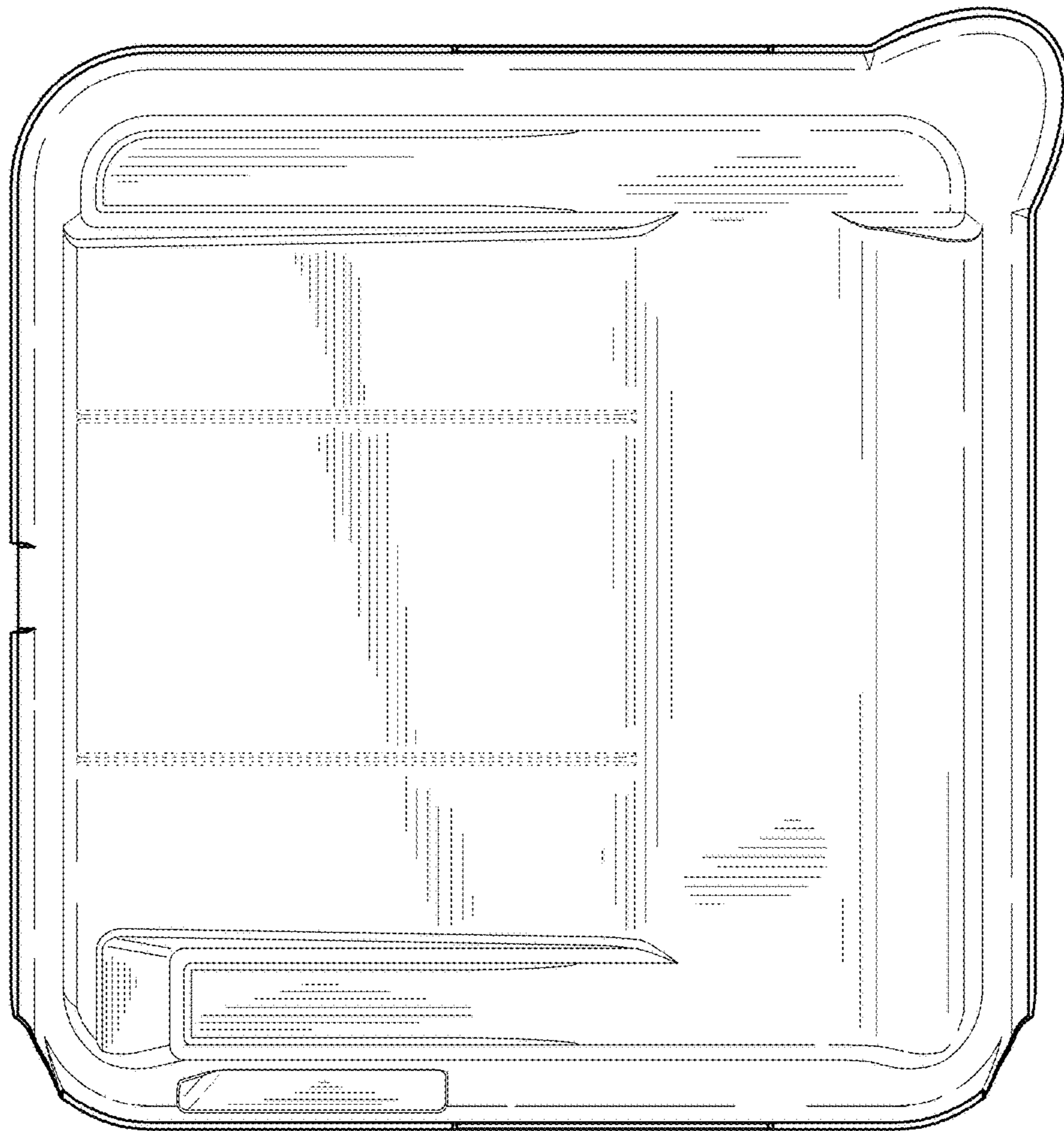


Fig. 10

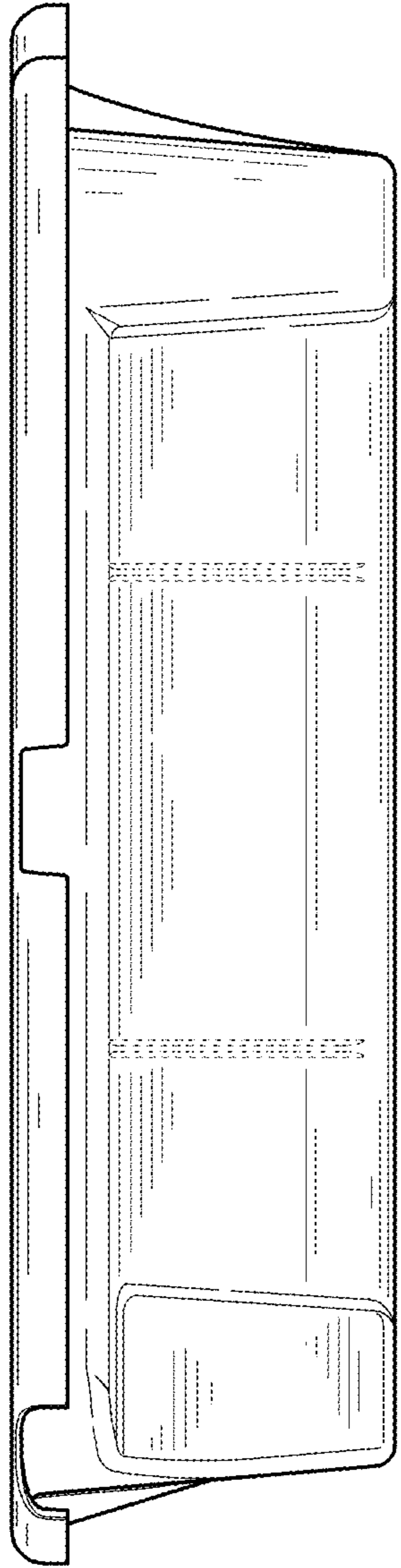


Fig. 11

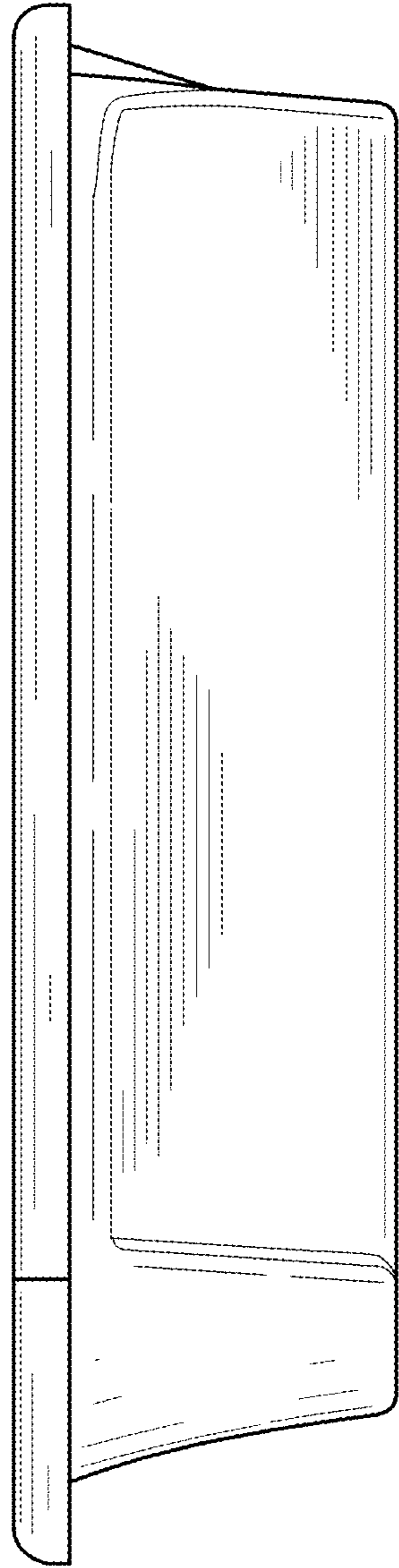


Fig. 12

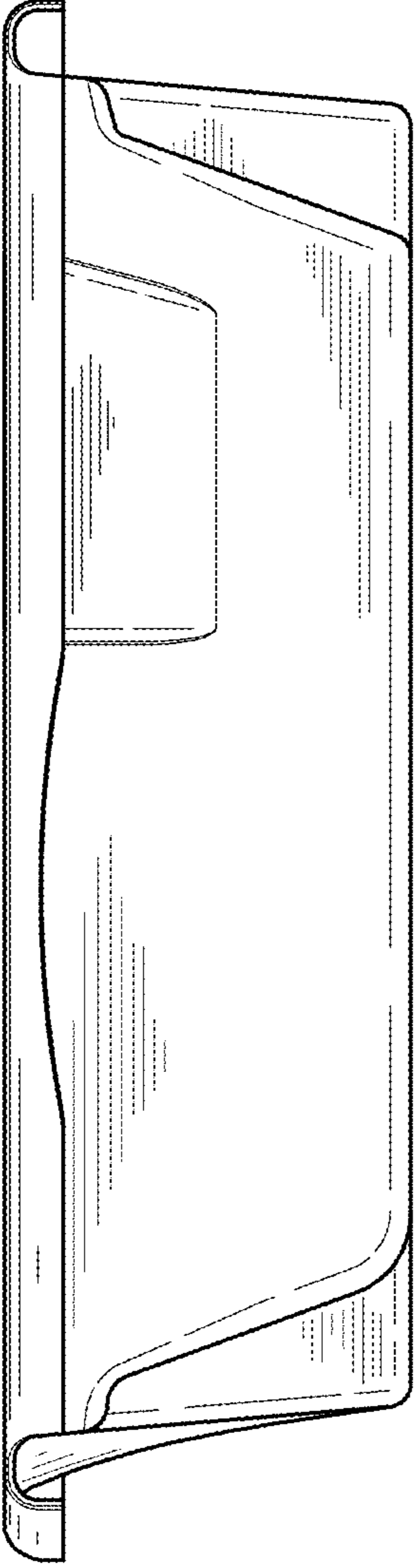


Fig. 13

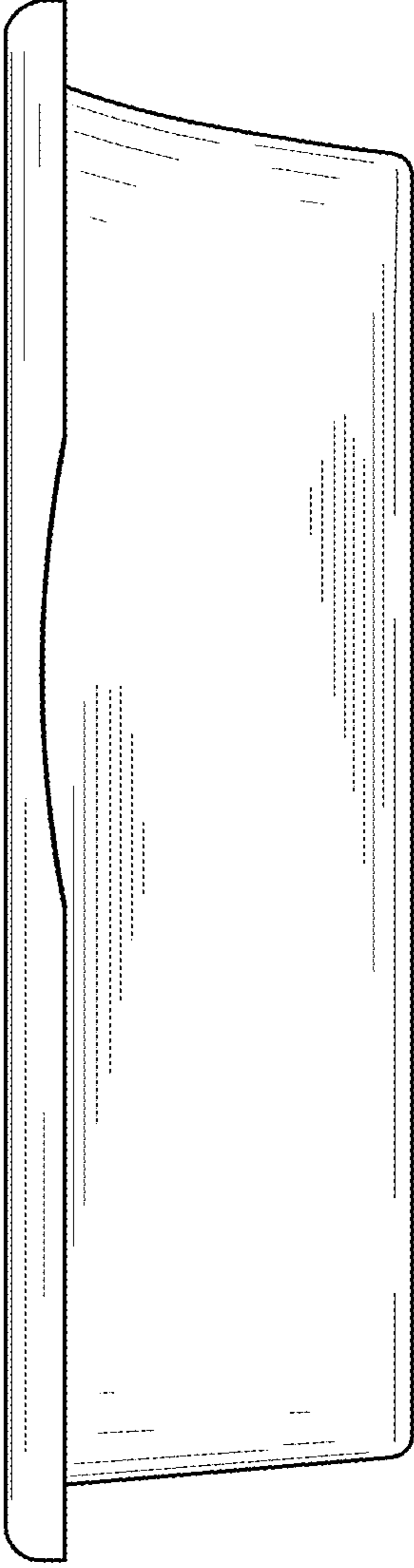


Fig. 14