



US00D838069S

(12) **United States Design Patent**
D'Souza et al.

(10) **Patent No.:** **US D838,069 S**

(45) **Date of Patent:** **** Jan. 8, 2019**

(54) **CLEANING ROBOT**

(71) Applicant: **Altan Robotech Inc.**, Mississauga (CA)

(72) Inventors: **David D'Souza**, Brampton (CA); **Mina Bassalious**, Brampton (CA); **Hao Li**, North York (CA)

(73) Assignee: **ALTAN ROBOTECH INC.**, Mississauga (CA)

(**) Term: **15 Years**

(21) Appl. No.: **29/614,266**

(22) Filed: **Aug. 17, 2017**

(51) **LOC (11) Cl.** **15-05**

(52) **U.S. Cl.**
USPC **D32/31**

(58) **Field of Classification Search**
USPC D32/21-24, 31
CPC E04H 4/1654; A47L 9/2842; A47L 9/26;
A47L 9/325; A47L 9/009; A47L 11/34;
A47L 5/362; A47L 5/365; A47L 7/0004;
A47L 7/0019; E03D 9/002; E03D 9/087;
B08B 1/002; B08B 1/008; B08B 1/04;
B25J 11/0085; B25J 13/081

See application file for complete search history.

(56) **References Cited**

U.S. PATENT DOCUMENTS

4,713,845	A	12/1987	Bono	
4,734,942	A	4/1988	Blanchard	
5,806,105	A	9/1998	Yu	
6,289,526	B1	9/2001	Chang	
6,772,451	B2	8/2004	Pellati	
D548,902	S *	8/2007	Chun	D32/21
8,117,682	B1	2/2012	Bowden	
8,136,171	B2	3/2012	Huang	
D665,547	S *	8/2012	Nam	D32/21
D669,235	S *	10/2012	Bassett	D32/21

D670,877	S *	11/2012	Geringer	D32/21
D690,478	S *	9/2013	Li	D32/21
D703,397	S *	4/2014	Sungkyung	D32/21
D713,609	S *	9/2014	Shin	D32/21
D714,002	S *	9/2014	Casini	D32/21
D714,003	S *	9/2014	Casini	D32/21
D715,504	S *	10/2014	Deoksang	D32/21

(Continued)

FOREIGN PATENT DOCUMENTS

CN	106400917	A	2/2017
DE	296 17 815	U1	1/1997

(Continued)

OTHER PUBLICATIONS

Extended European Search Report dated Oct. 17, 2018 in related EP Patent Application No. 18166055.6.

Primary Examiner — Ruth McInroy

(74) *Attorney, Agent, or Firm* — Bereskin & Parr LLP/S.E.N.C.R.L., s.r.l.; Isis E. Caulder; Nicholas Aitken

(57) **CLAIM**

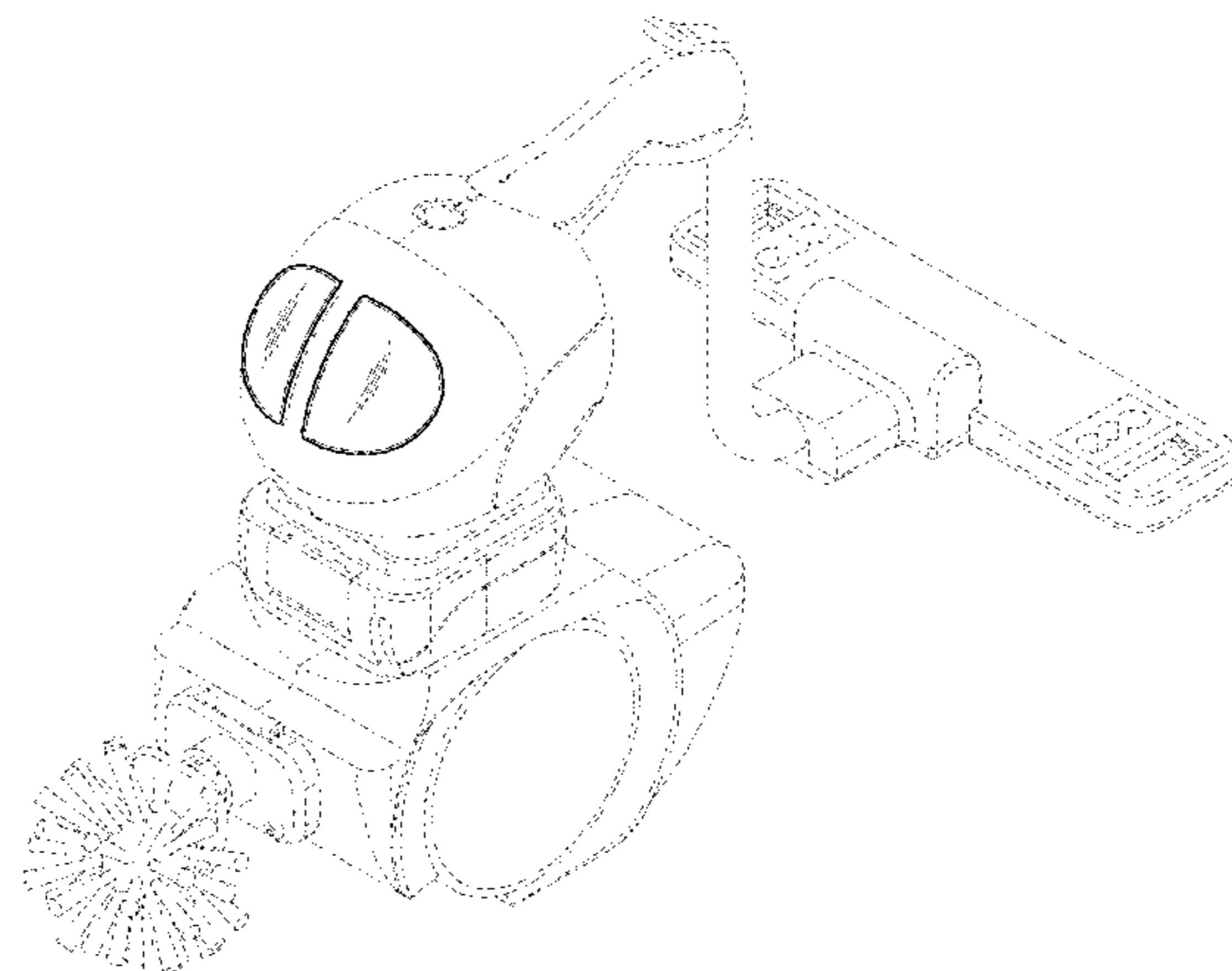
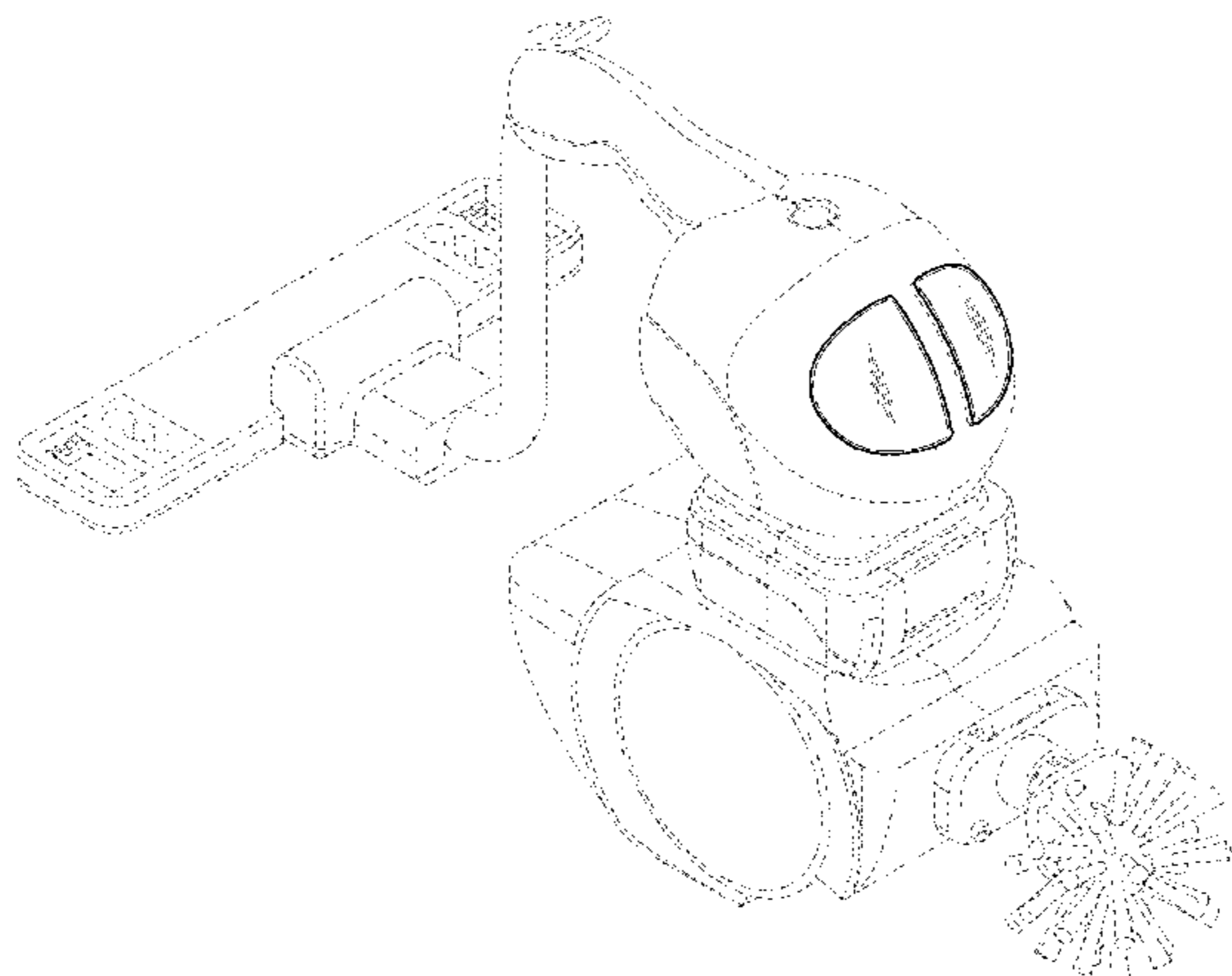
The ornamental design for a cleaning robot, as shown and described.

DESCRIPTION

FIG. 1 is a right side perspective view of a cleaning robot showing our new design; FIG. 2 is a left side perspective view thereof; FIG. 3 is a right side elevation view thereof; FIG. 4 is a front elevation view thereof; FIG. 5 is a left side elevation view thereof; FIG. 6 is a rear elevation view thereof; FIG. 7 is a top plan view thereof; and, FIG. 8 is a bottom plan view thereof.

The broken line portions are included to show unclaimed subject matter only and form no part of the claimed design.

1 Claim, 8 Drawing Sheets



(56)

References Cited

U.S. PATENT DOCUMENTS

8,898,854 B2 * 12/2014 Tso A47L 9/2852
15/319
D751,260 S * 3/2016 Kim D32/21
9,339,158 B2 * 5/2016 Dorra E03D 9/08
D771,884 S * 11/2016 Ninomiya D32/21
9,644,358 B2 5/2017 Qualls et al.
9,931,007 B2 * 4/2018 Morin A47L 9/1683
2009/0044322 A1 2/2009 Nunez et al.
2014/0137357 A1 5/2014 Ralea
2016/0059269 A1 3/2016 Ronding
2016/0158942 A1 6/2016 Augenbraun et al.

FOREIGN PATENT DOCUMENTS

DE 20 2012 002 839 U1 8/2013
EP 2910695 A1 8/2015
EP 2 951 362 B1 12/2016
FR 2 809 121 A1 11/2001
JP 2003-125979 A 5/2003
WO 2016/203475 A1 12/2016

* cited by examiner

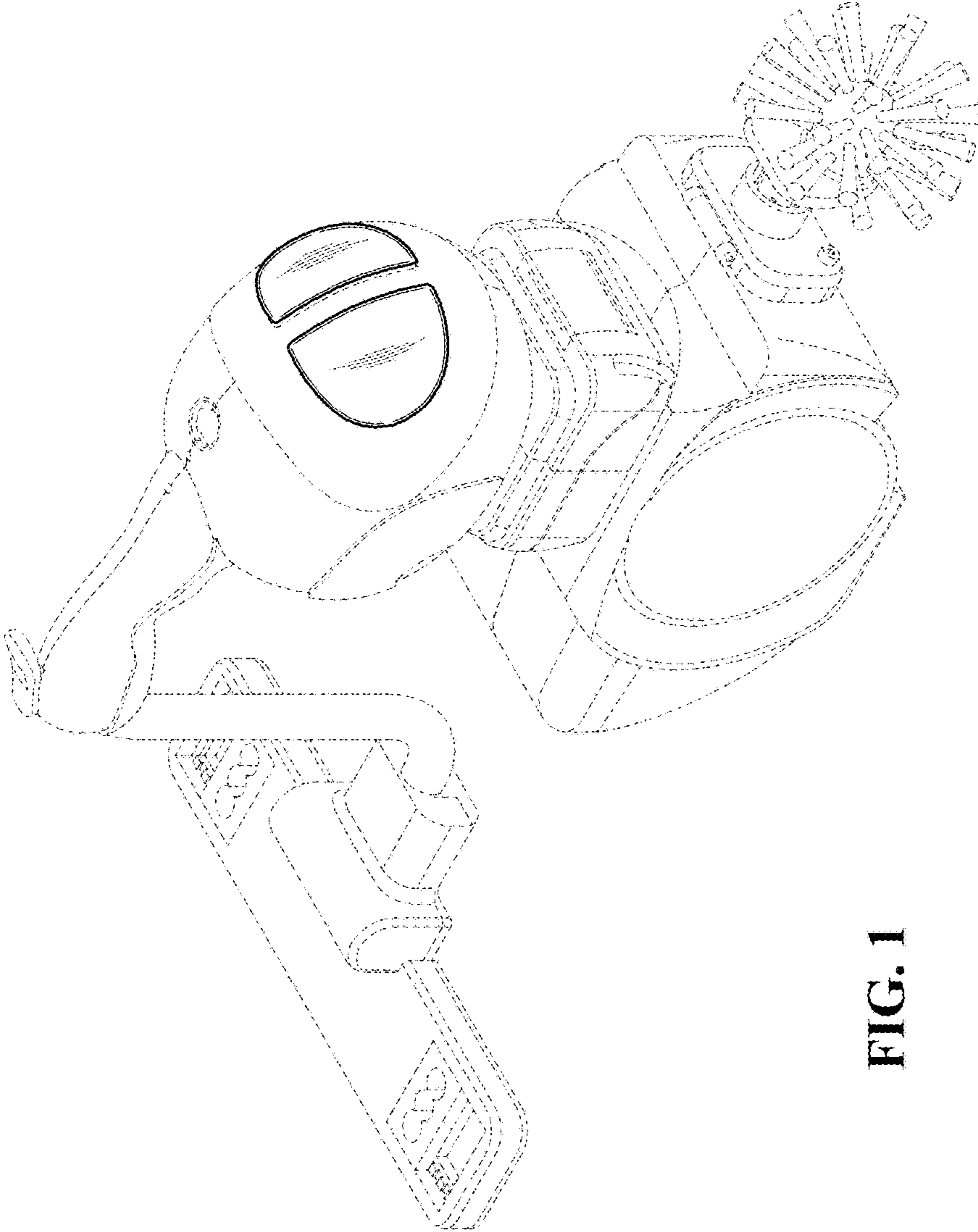


FIG. 1

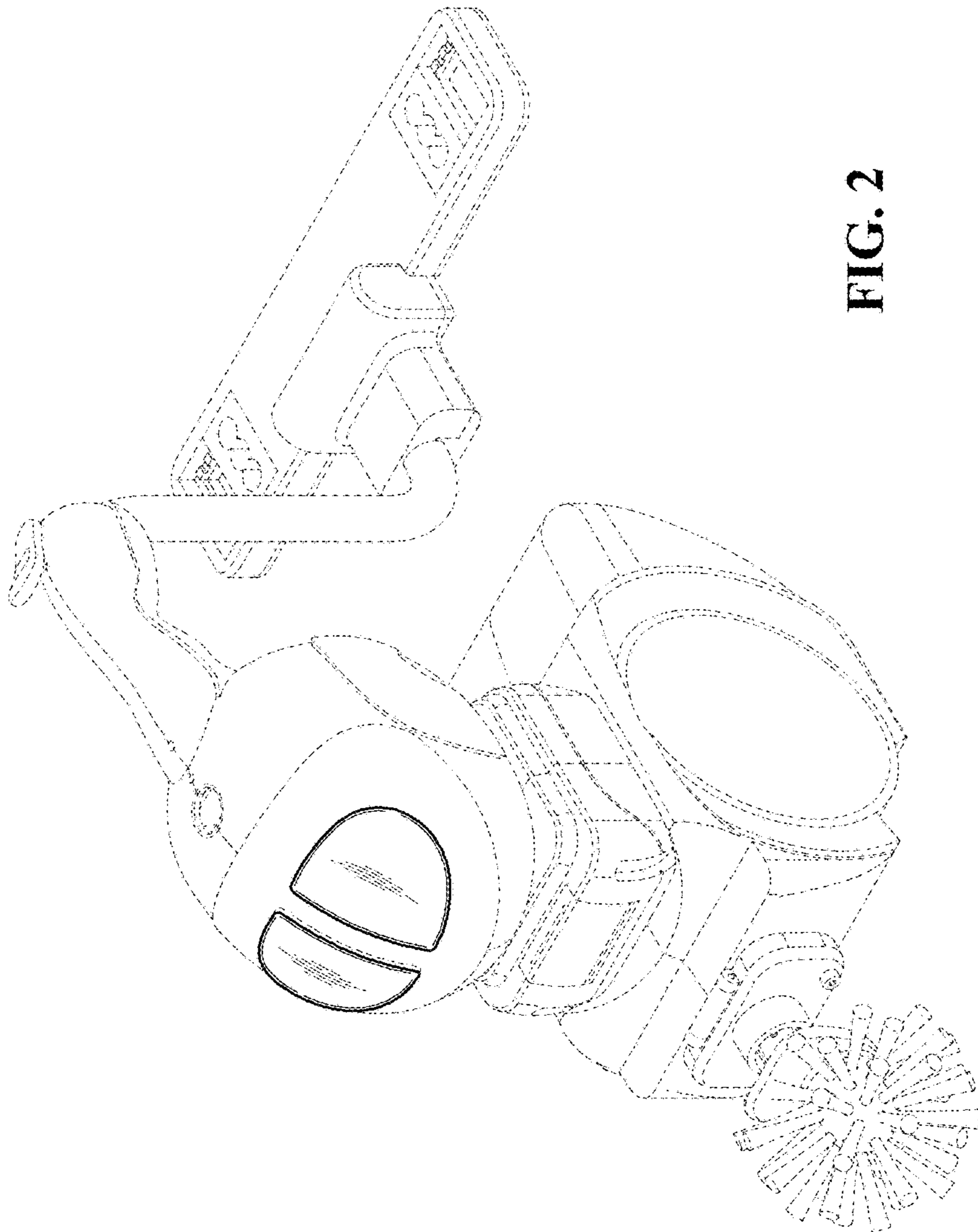


FIG. 2

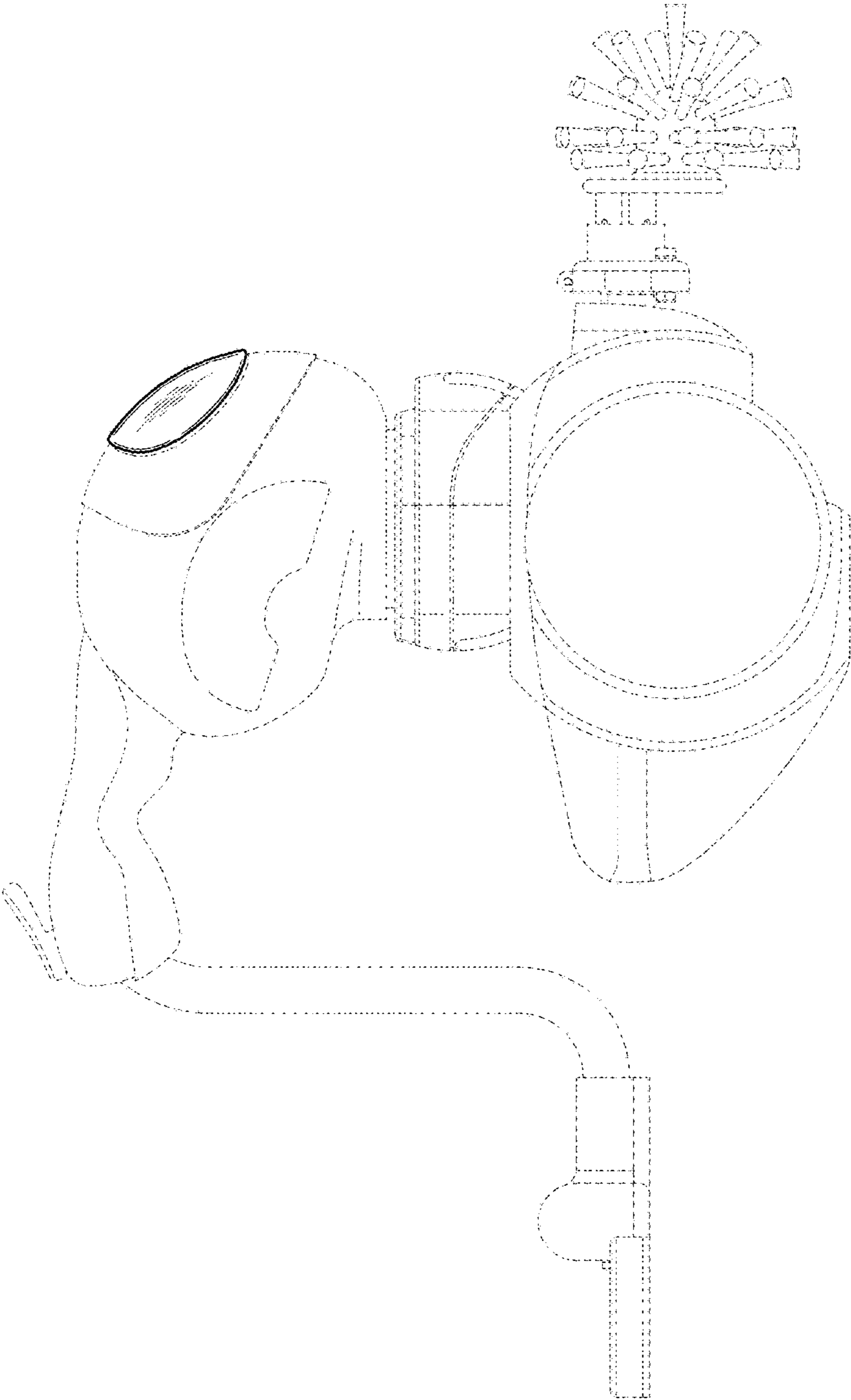


FIG. 3

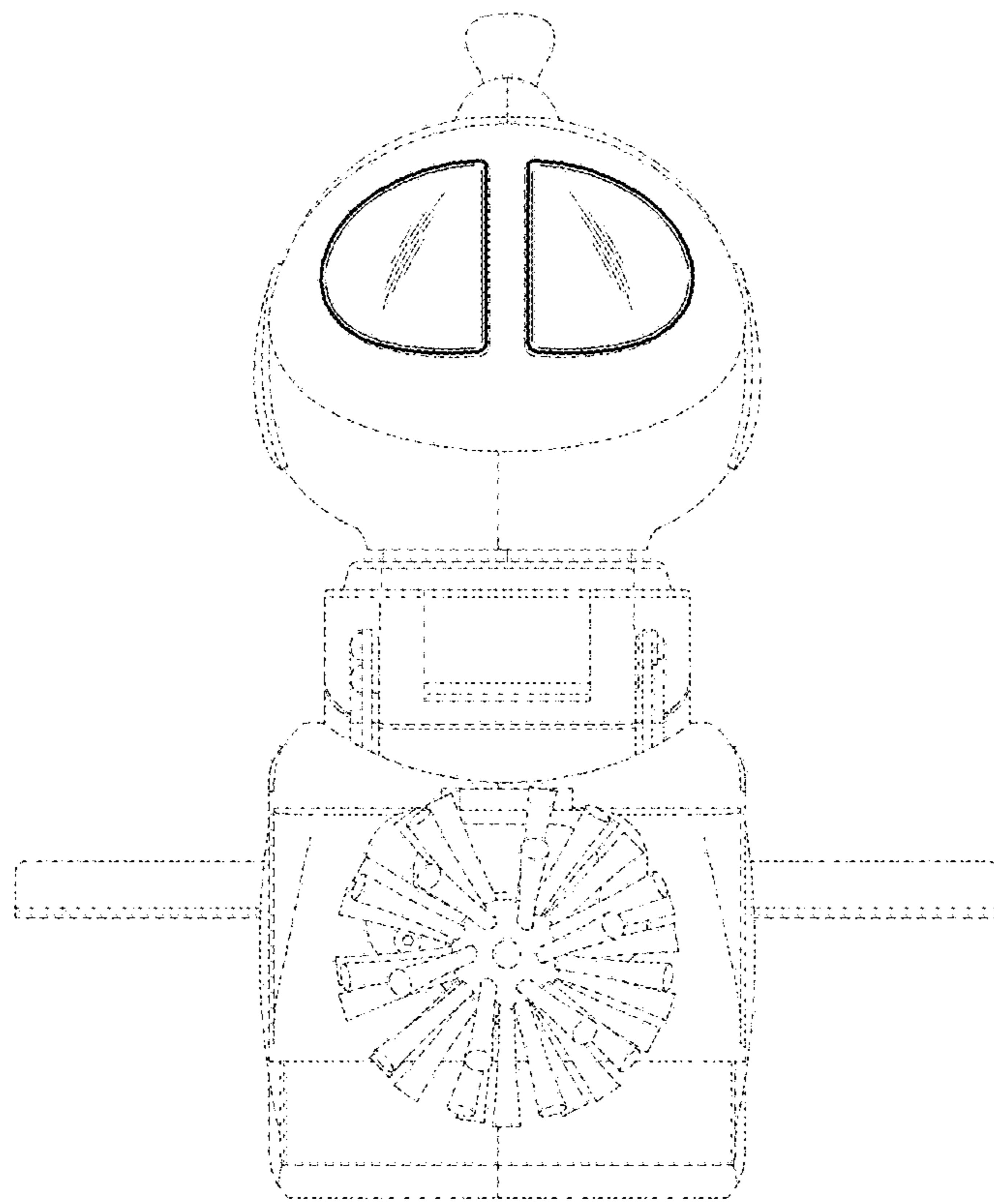


FIG. 4

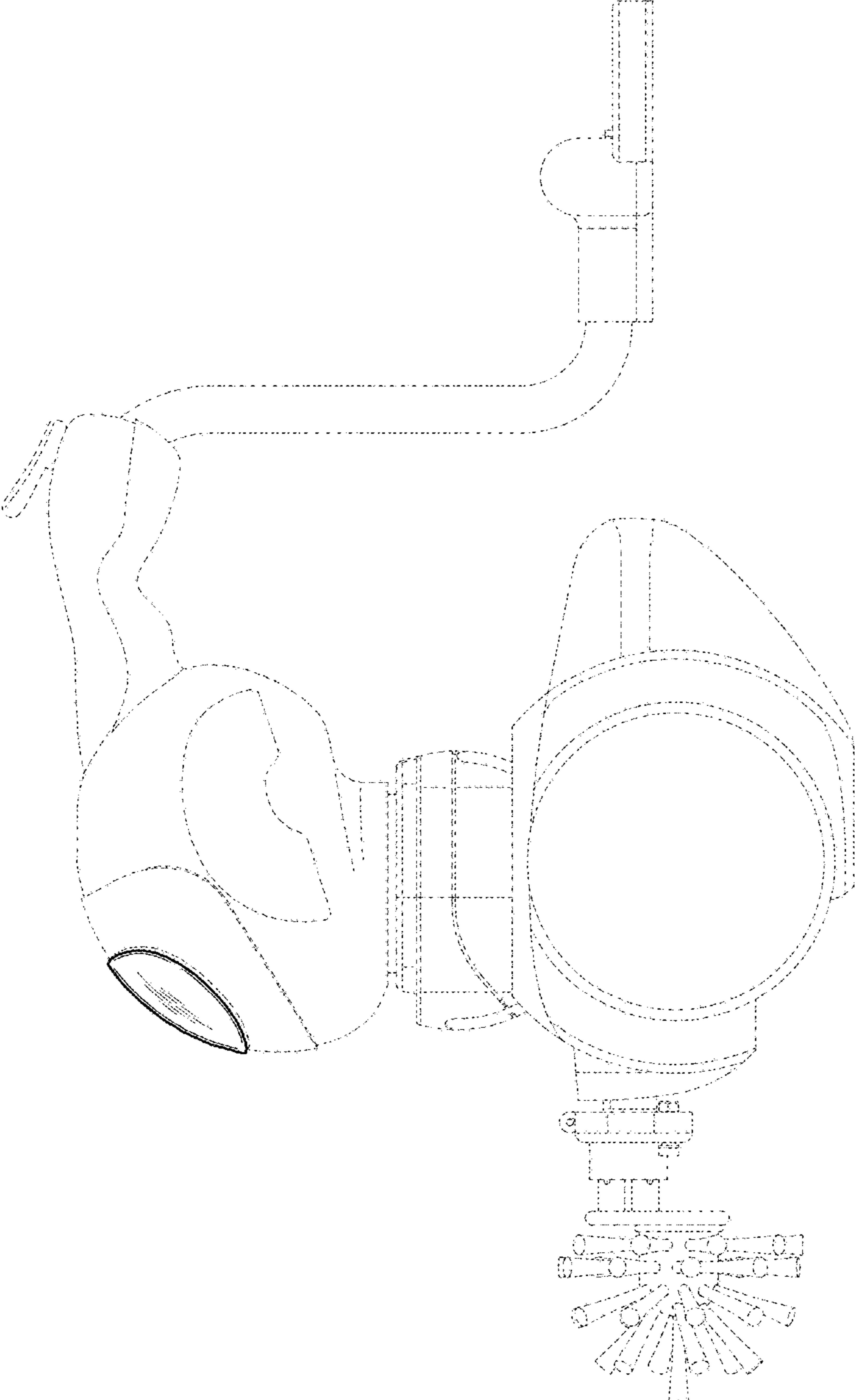


FIG. 5

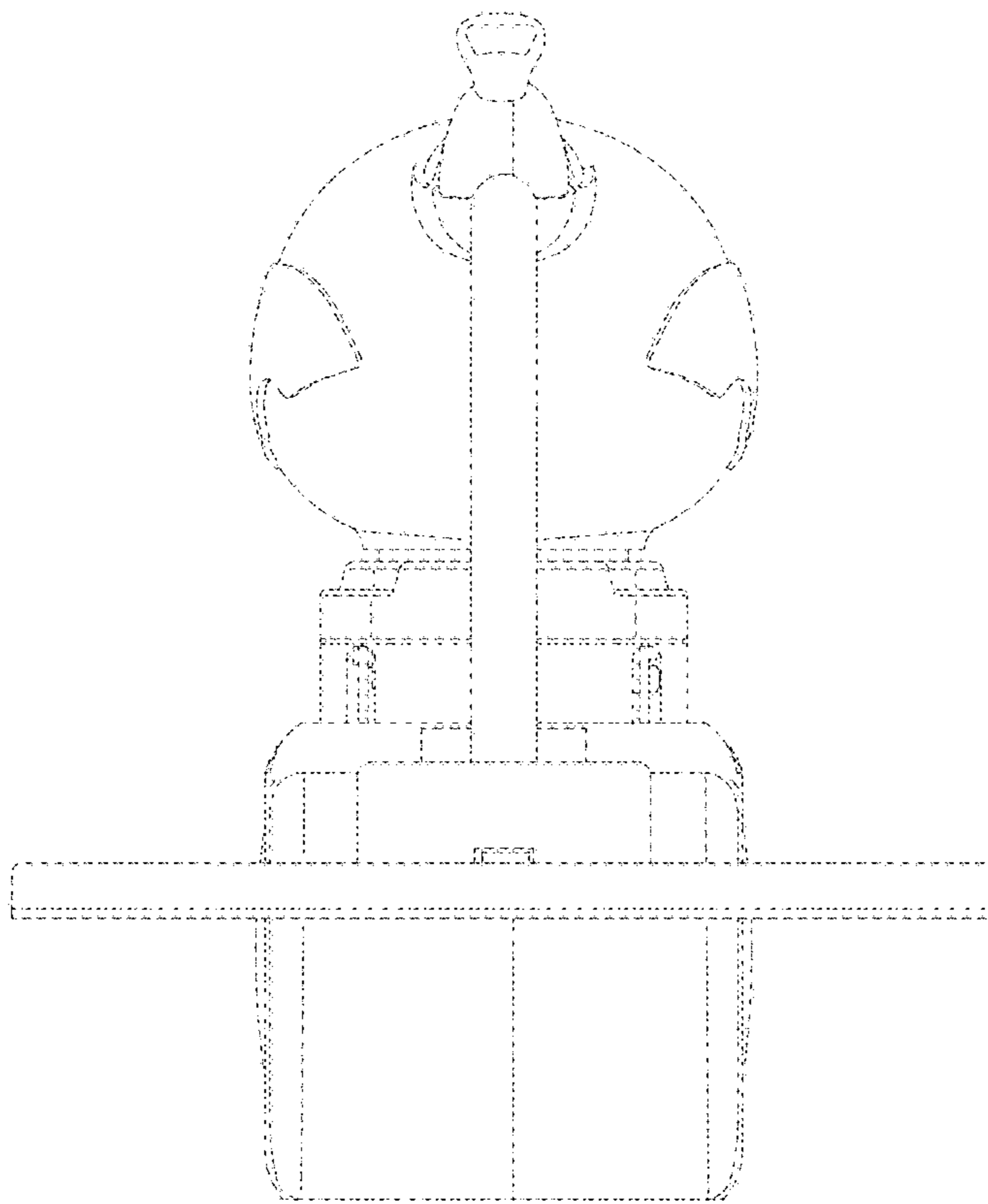


FIG. 6

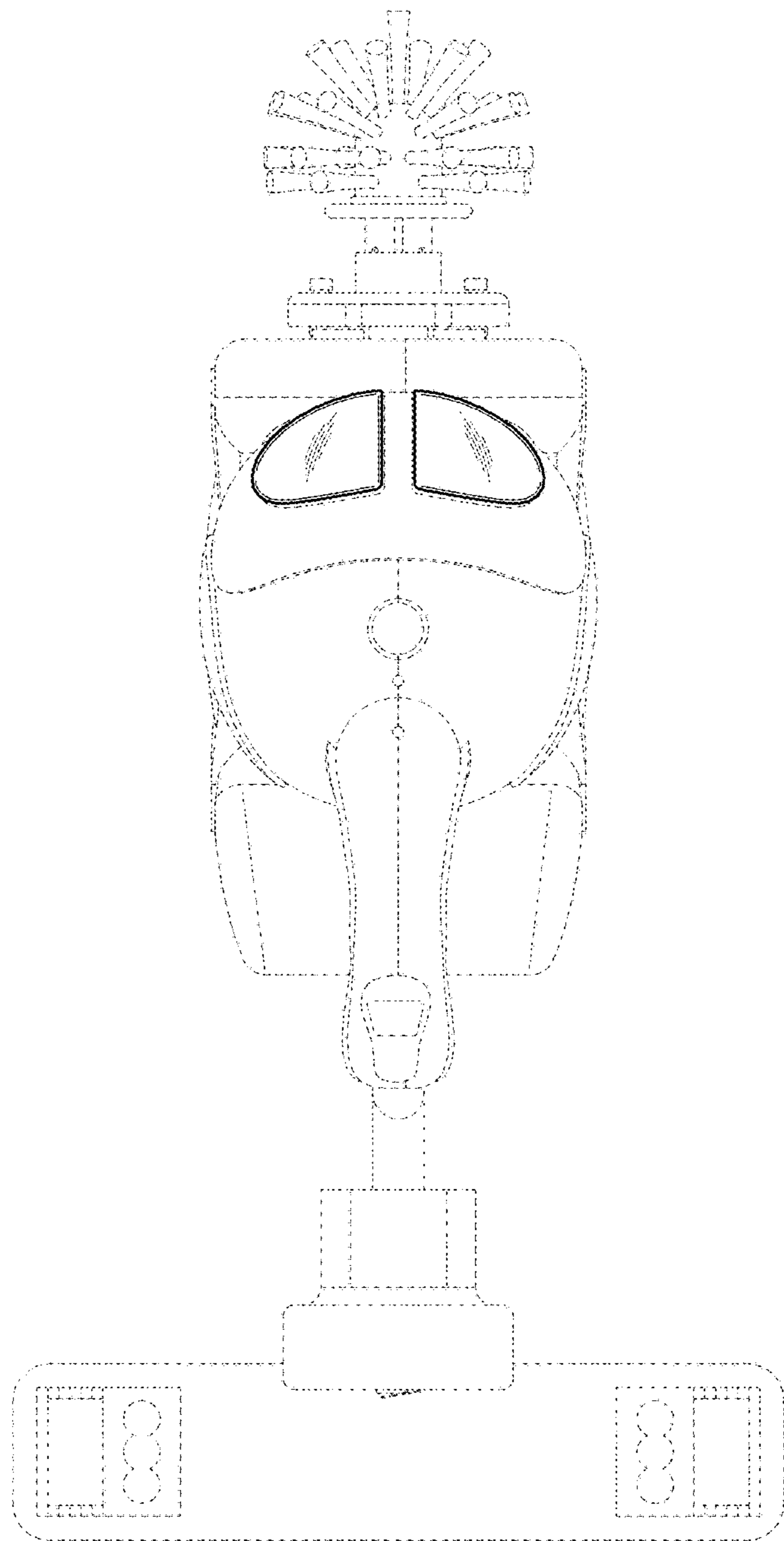


FIG. 7

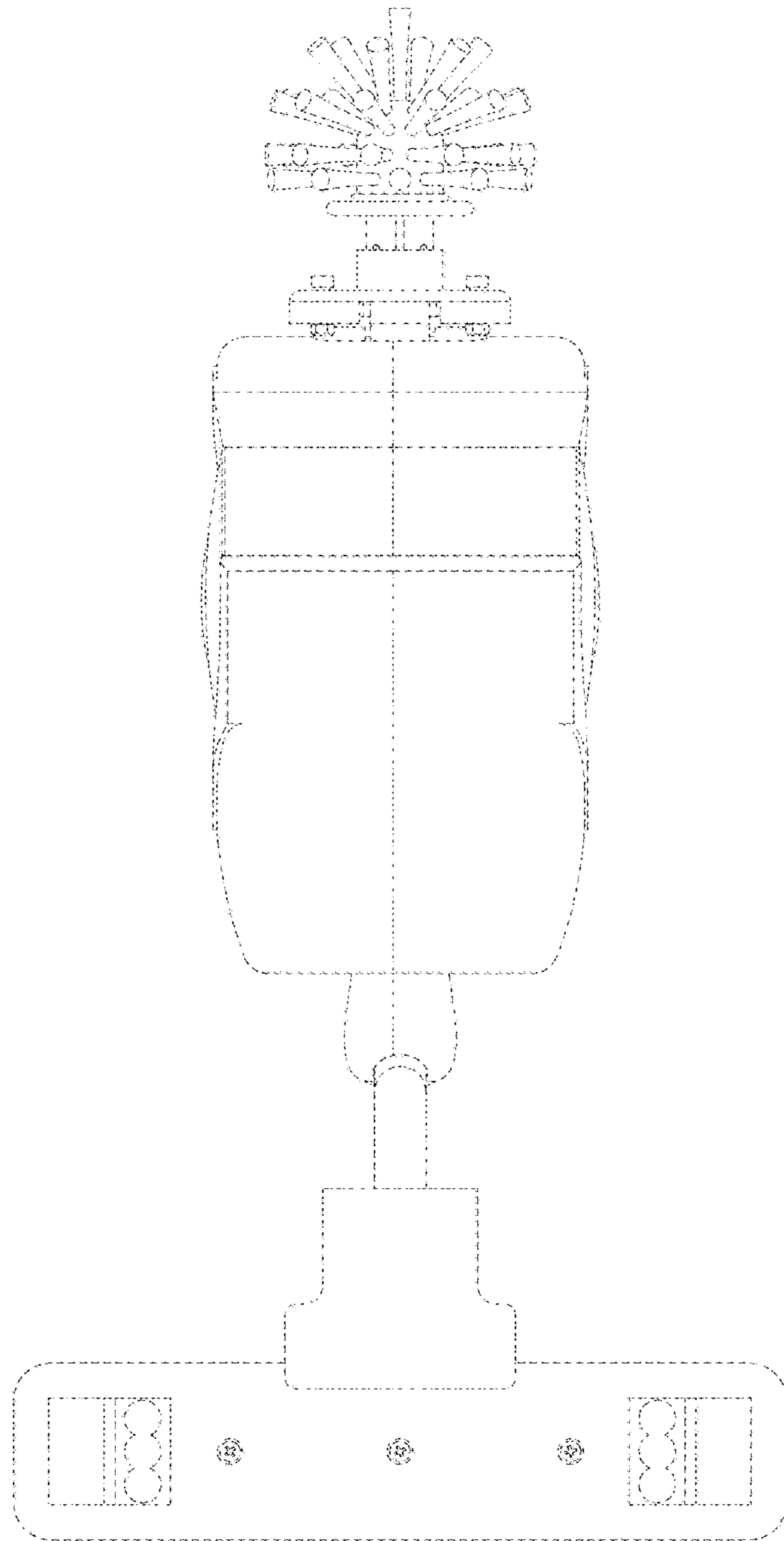


FIG. 8