



US00D838067S

(12) **United States Design Patent**
Irfan et al.

(10) **Patent No.:** **US D838,067 S**

(45) **Date of Patent:** **** Jan. 8, 2019**

- (54) **HANDHELD VACUUM CLEANER**
- (71) Applicant: **TTI (MACAO COMMERCIAL OFFSHORE) LIMITED**, Macau (MO)
- (72) Inventors: **Mohammed Irfan**, Hunterville, NC (US); **Ritha Chan**, Charlotte, NC (US); **Xiyin Yao**, Charlotte, NC (US); **Yuen Yeuk Au Alvin**, Kwun Tong (HK); **Cheung Chun Kit Benson**, Kwai Chung (HK)
- (73) Assignee: **TTI (Macao Commercial Offshore) Limited**, Praia Grande, Macau

- (**) Term: **15 Years**
- (21) Appl. No.: **29/595,059**
- (22) Filed: **Feb. 24, 2017**

(30) **Foreign Application Priority Data**

- Aug. 26, 2016 (CN) 2016 3 0427729
- Aug. 26, 2016 (CN) 2016 3 0428523
- Nov. 21, 2016 (CN) 2016 3 0563988
- Nov. 21, 2016 (CN) 2016 3 0564174

- (51) **LOC (11) Cl.** **15-05**
- (52) **U.S. Cl.**
USPC **D32/22**

- (58) **Field of Classification Search**
USPC D32/21-24, 31, 34, 17-18
CPC A47L 5/24; A47L 5/22; A47L 5/28; A47L 5/225; A47L 5/362; A47L 5/365; A47L 9/2842; A47L 9/24; A47L 9/248
See application file for complete search history.

(56) **References Cited**

U.S. PATENT DOCUMENTS

- D635,728 S * 4/2011 Fjellman D32/22
- D668,823 S * 10/2012 Stickney D32/18

- D731,130 S * 6/2015 Dyson D32/18
- D738,584 S * 9/2015 Niedzwecki D32/18
- D774,260 S * 12/2016 Manning D32/22
- D775,772 S * 1/2017 Lee D32/31
- D798,009 S * 9/2017 Salagnac D32/18
- D799,767 S * 10/2017 Palladino D32/22
- D800,980 S * 10/2017 Carter D32/21

* cited by examiner

Primary Examiner — Ruth McInroy
(74) *Attorney, Agent, or Firm* — Michael Best & Friedrich LLP

(57) **CLAIM**

We claim the ornamental design for a handheld vacuum cleaner, as shown and described.

DESCRIPTION

FIG. 1 is a perspective view of a handheld vacuum cleaner according to an embodiment of the invention.

FIG. 2 is a back side view of the handheld vacuum cleaner shown in FIG. 1.

FIG. 3 is a front side view of the handheld vacuum cleaner shown in FIG. 1.

FIG. 4 is a left side view of the handheld vacuum cleaner shown in FIG. 1.

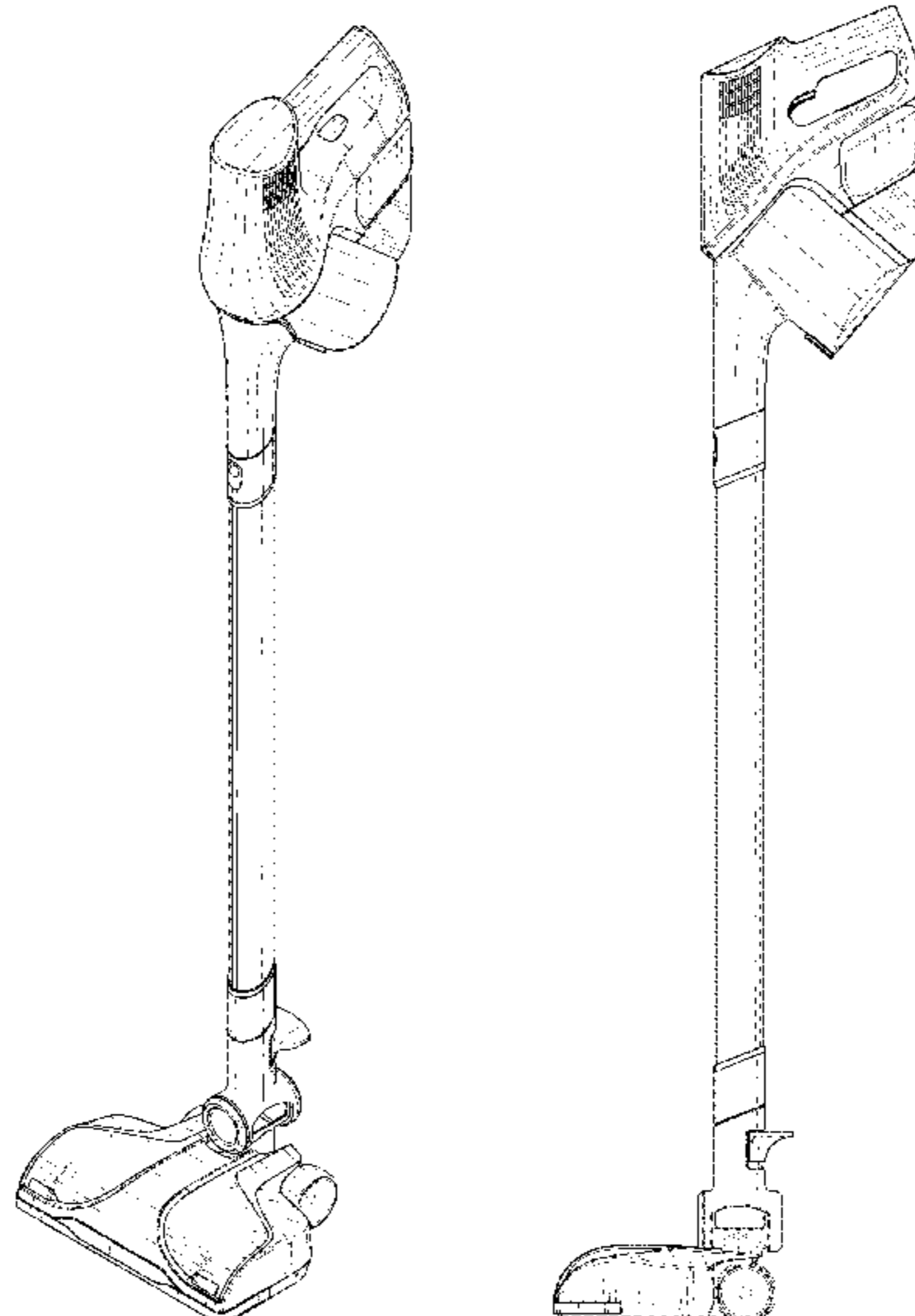
FIG. 5 is a right side view of the handheld vacuum cleaner shown in FIG. 1.

FIG. 6 is a top side view of the handheld vacuum cleaner shown in FIG. 1; and,

FIG. 7 is a bottom side view of the handheld vacuum cleaner shown in FIG. 1.

The details shown in broken lines form no part of the claimed design.

1 Claim, 6 Drawing Sheets



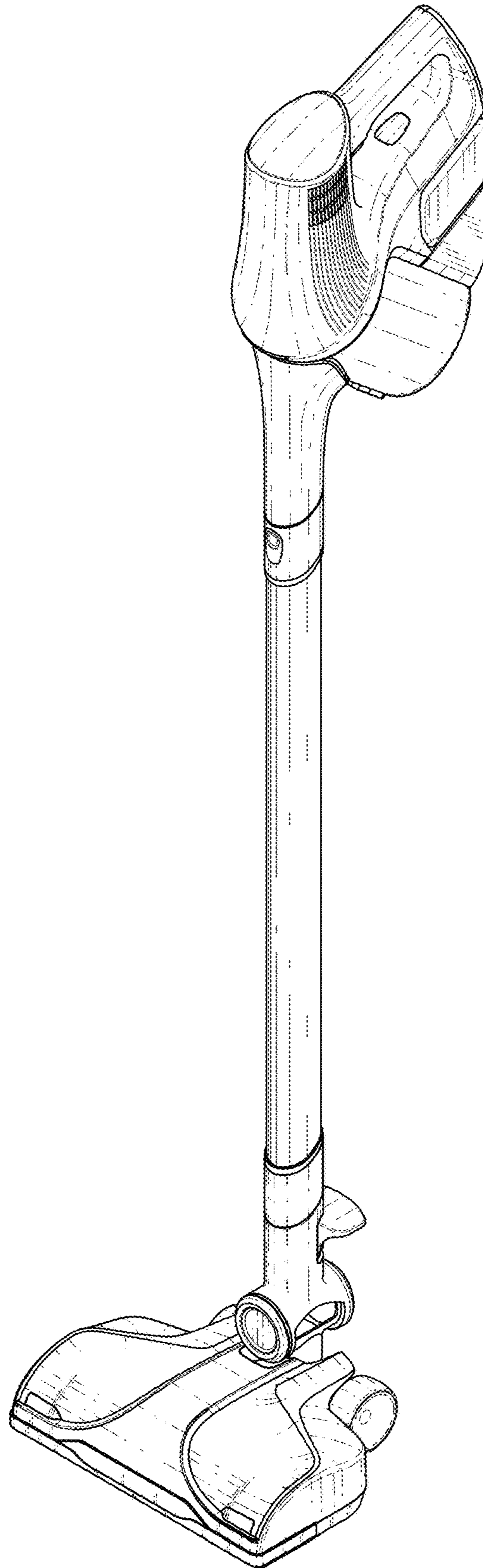


FIG. 1

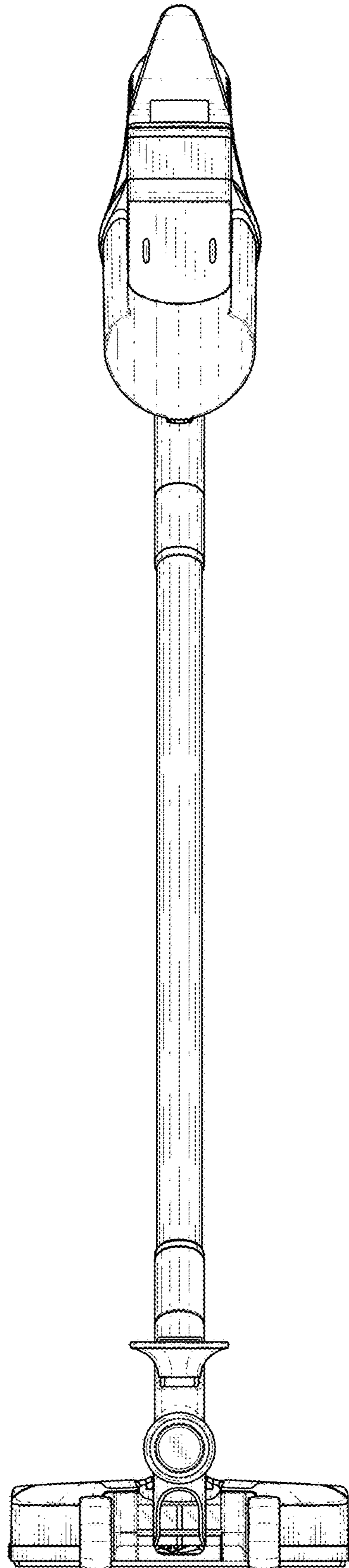


FIG. 2

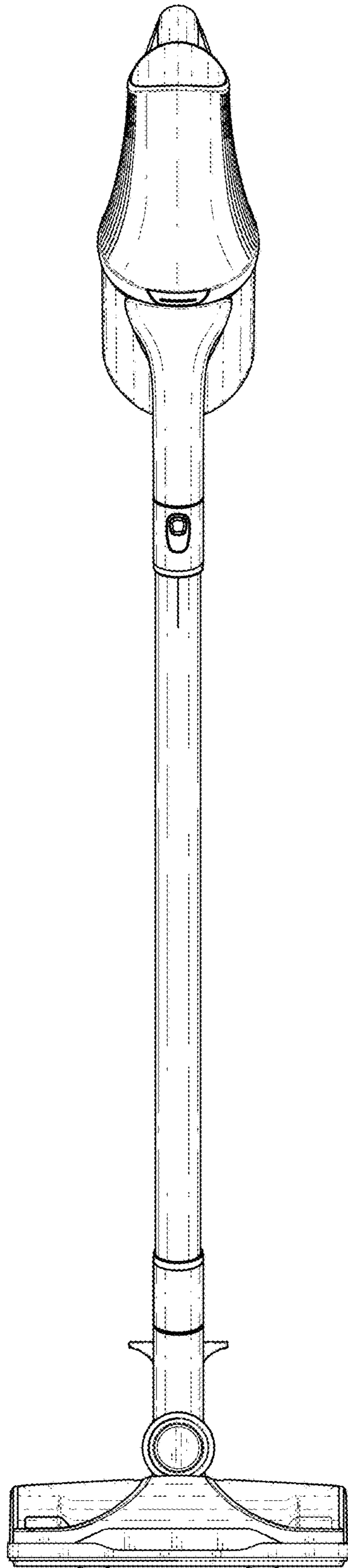


FIG. 3

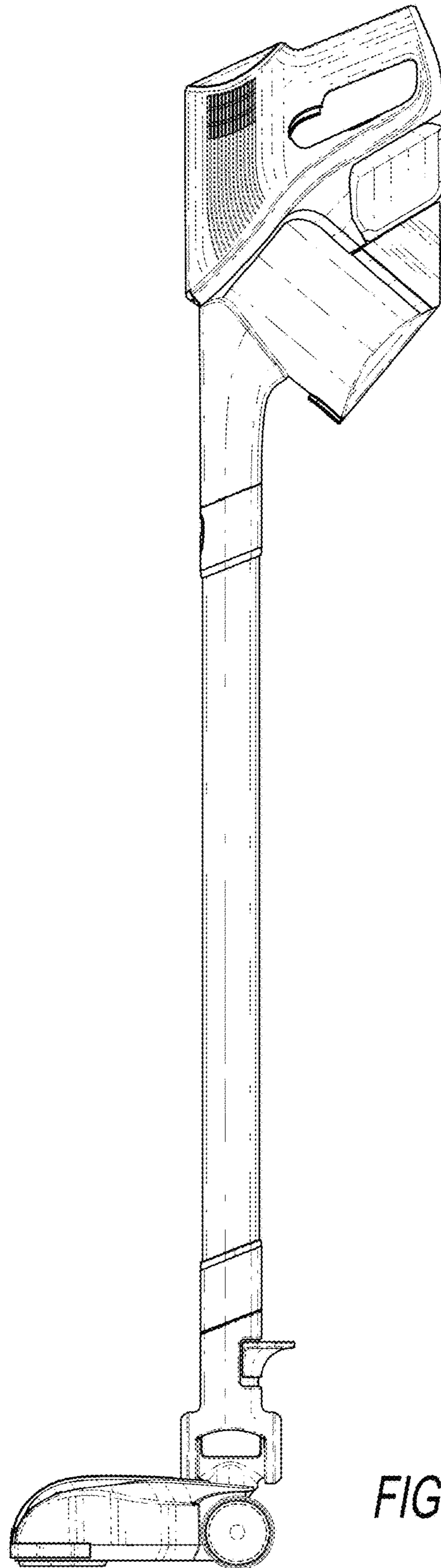


FIG. 4

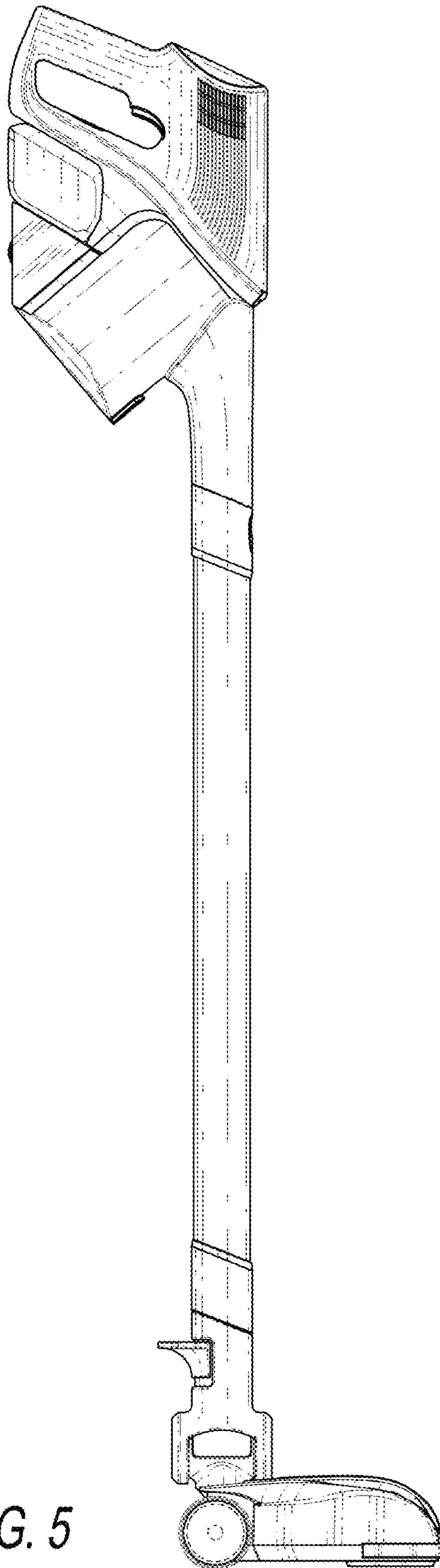


FIG. 5

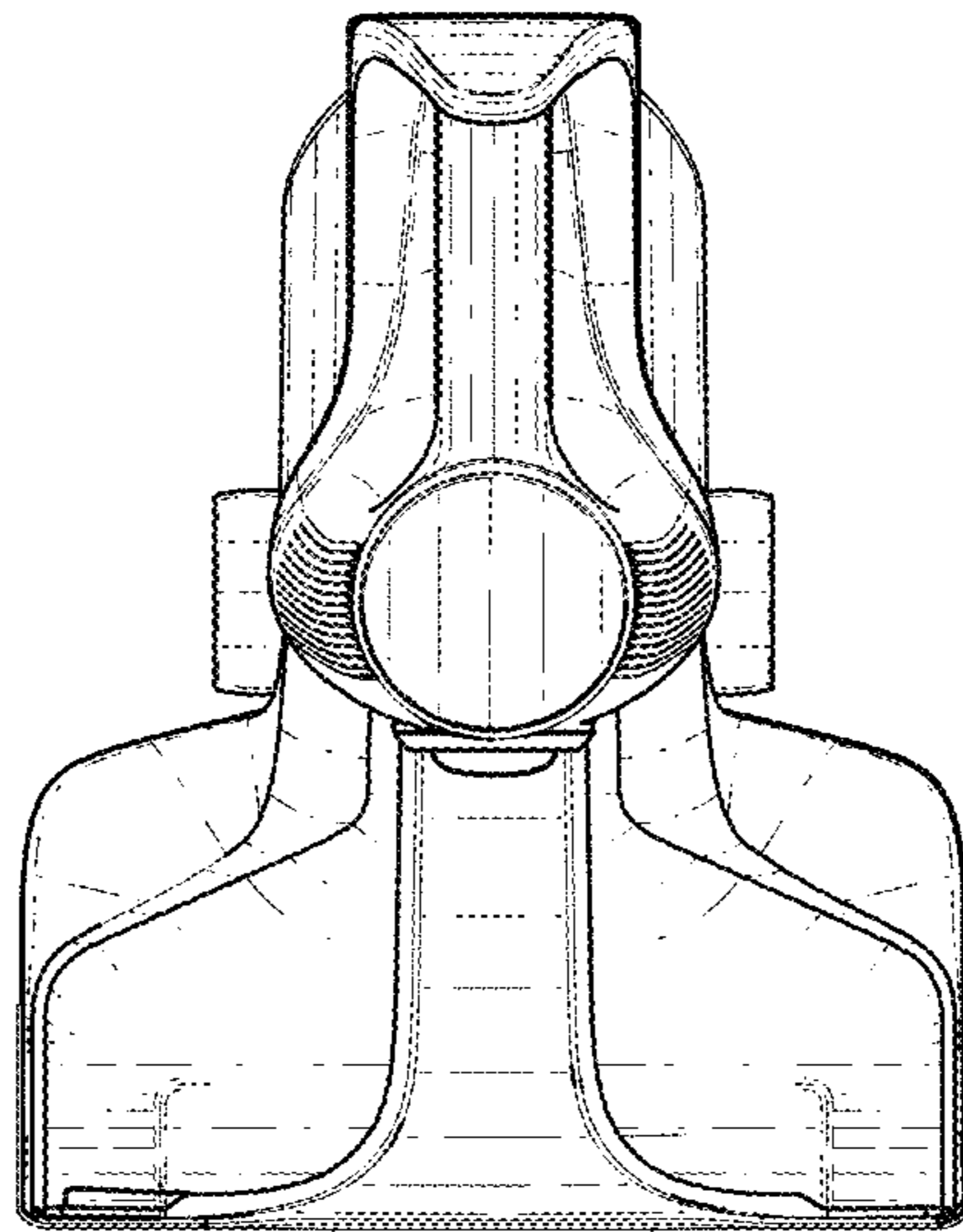


FIG. 6

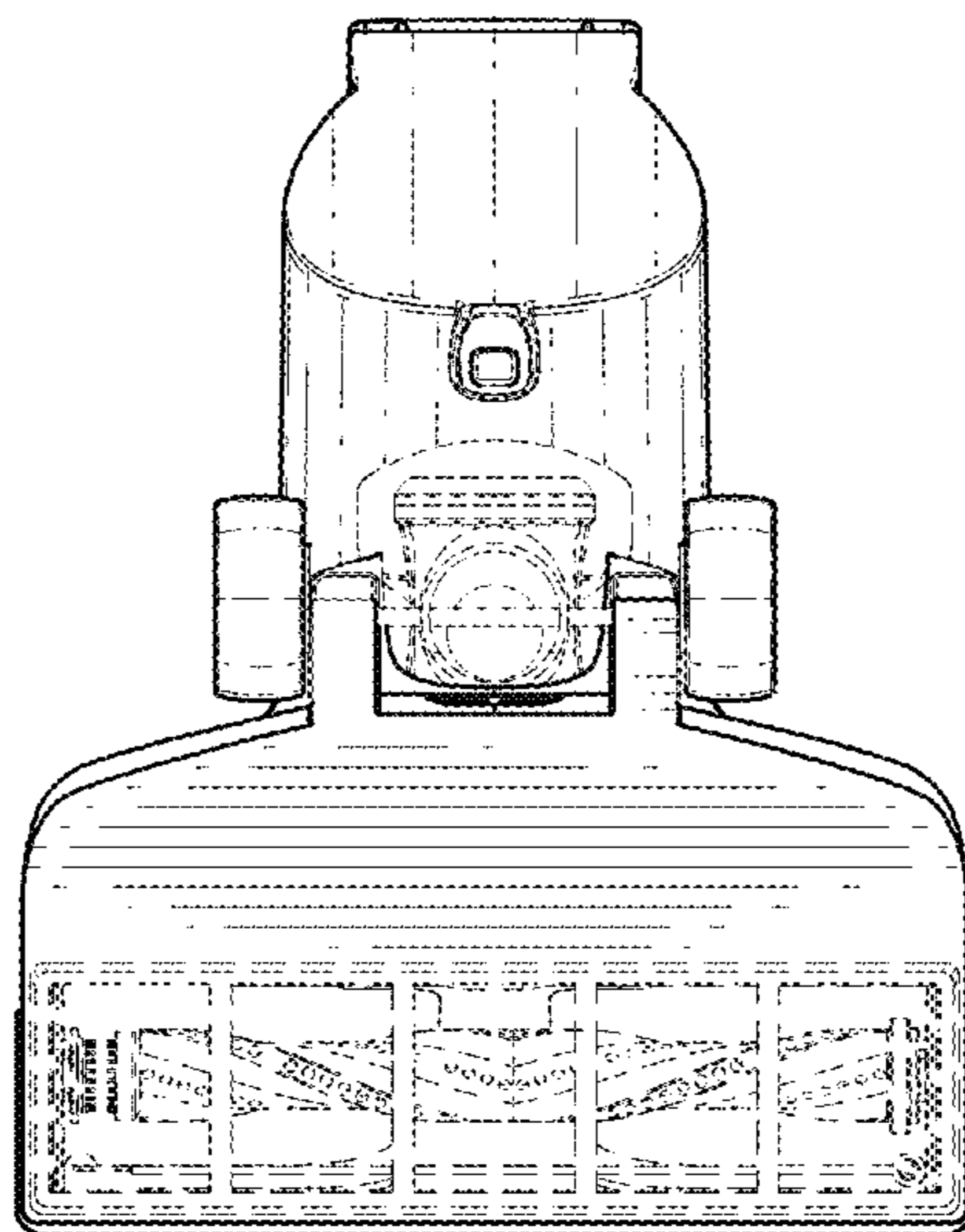


FIG. 7