



US00D838066S

(12) **United States Design Patent**
Peng

(10) **Patent No.:** **US D838,066 S**

(45) **Date of Patent:** **** Jan. 8, 2019**

(54) **GARMENT STEAMER**

(71) Applicant: **Yuqin Peng**, Ji'an (CN)

(72) Inventor: **Yuqin Peng**, Ji'an (CN)

(**) Term: **15 Years**

(21) Appl. No.: **29/615,363**

(22) Filed: **Aug. 29, 2017**

(51) **LOC (11) Cl.** **15-05**

(52) **U.S. Cl.**
USPC **D32/17**

(58) **Field of Classification Search**
USPC D32/17

CPC A47L 5/24; A47L 5/28; A47L 2601/04;
A47L 25/08; A47L 11/34; A47L 13/26;
D06F 73/02; D06F 87/00; A23C 3/031;
D06C 7/00; B08B 9/0323

See application file for complete search history.

(56) **References Cited**

U.S. PATENT DOCUMENTS

D620,208 S *	7/2010	Mangano	D32/17
D620,651 S *	7/2010	Enervold	D32/17
D648,494 S *	11/2011	Vrdoljak	D32/17
D670,876 S *	11/2012	Vrdoljak	D32/17
D674,564 S *	1/2013	Mangano	D32/17
D707,900 S *	6/2014	Ediger	D32/17

8,806,786 B2 *	8/2014	Jiang	D06F 73/00 38/75
D734,575 S *	7/2015	Zeng	D32/17
D771,331 S *	11/2016	Chaklos	D32/17
D776,887 S *	1/2017	Deffrennes	D32/17
D820,540 S *	6/2018	Cartwright	D32/31
D821,668 S *	6/2018	Cartwright	D32/31
D826,492 S *	8/2018	Huang	D32/17
2008/0022480 A1 *	1/2008	Lee	B08B 3/00 15/320
2010/0058623 A1 *	3/2010	Fernandez	D06F 71/18 38/14

* cited by examiner

Primary Examiner — Austin Murphy

(74) *Attorney, Agent, or Firm* — Gokalp Bayramoglu

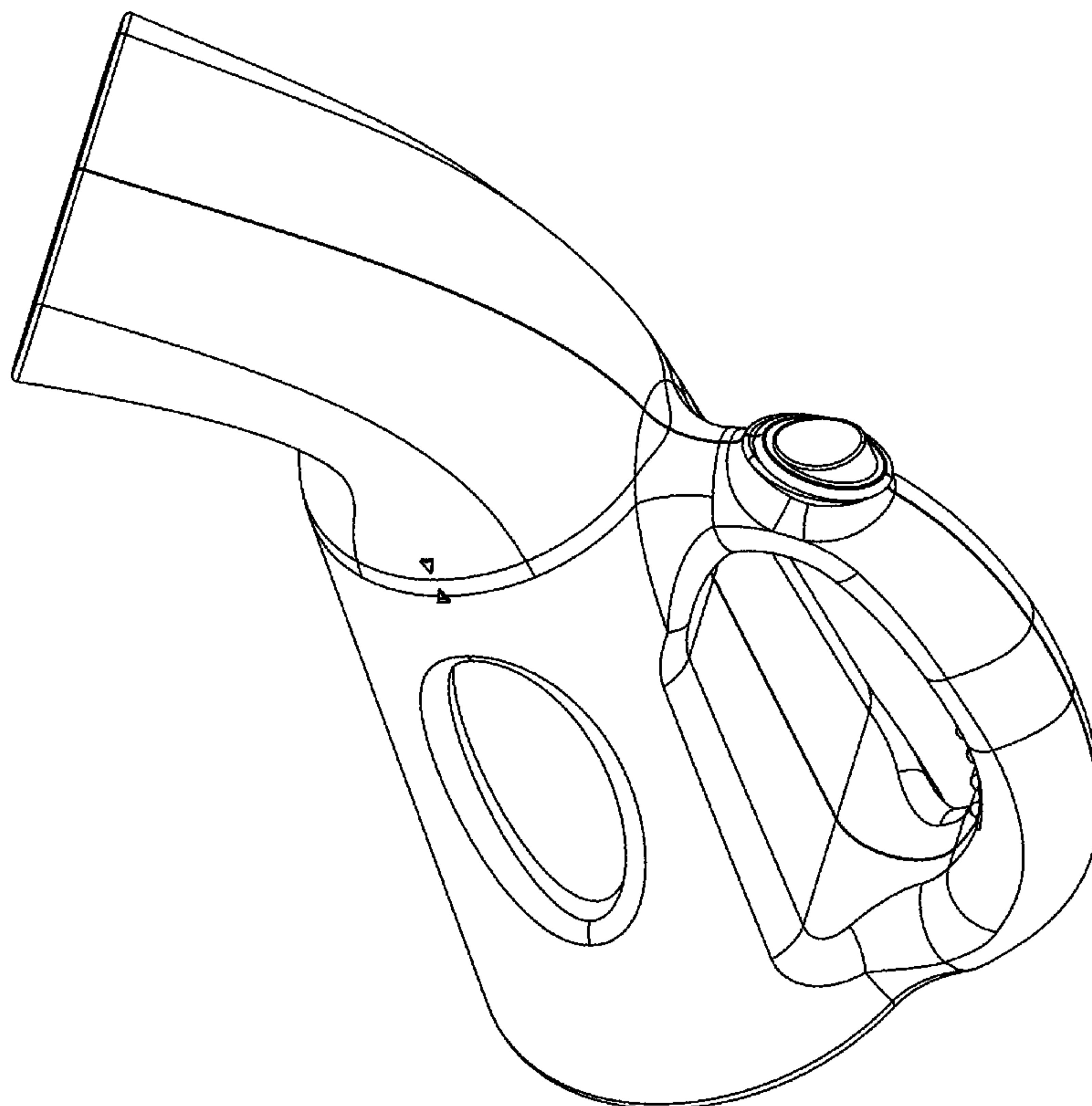
(57) **CLAIM**

The ornamental design for a garment steamer, as shown and described.

DESCRIPTION

FIG. 1 is a left side view of the garment steamer;
FIG. 2 is a front view of the garment steamer;
FIG. 3 is a right side view of the garment steamer;
FIG. 4 is a back view of the garment steamer;
FIG. 5 is a top view of the garment steamer;
FIG. 6 is a bottom view of the garment steamer; and,
FIG. 7 is a perspective view of the garment steamer.

1 Claim, 7 Drawing Sheets



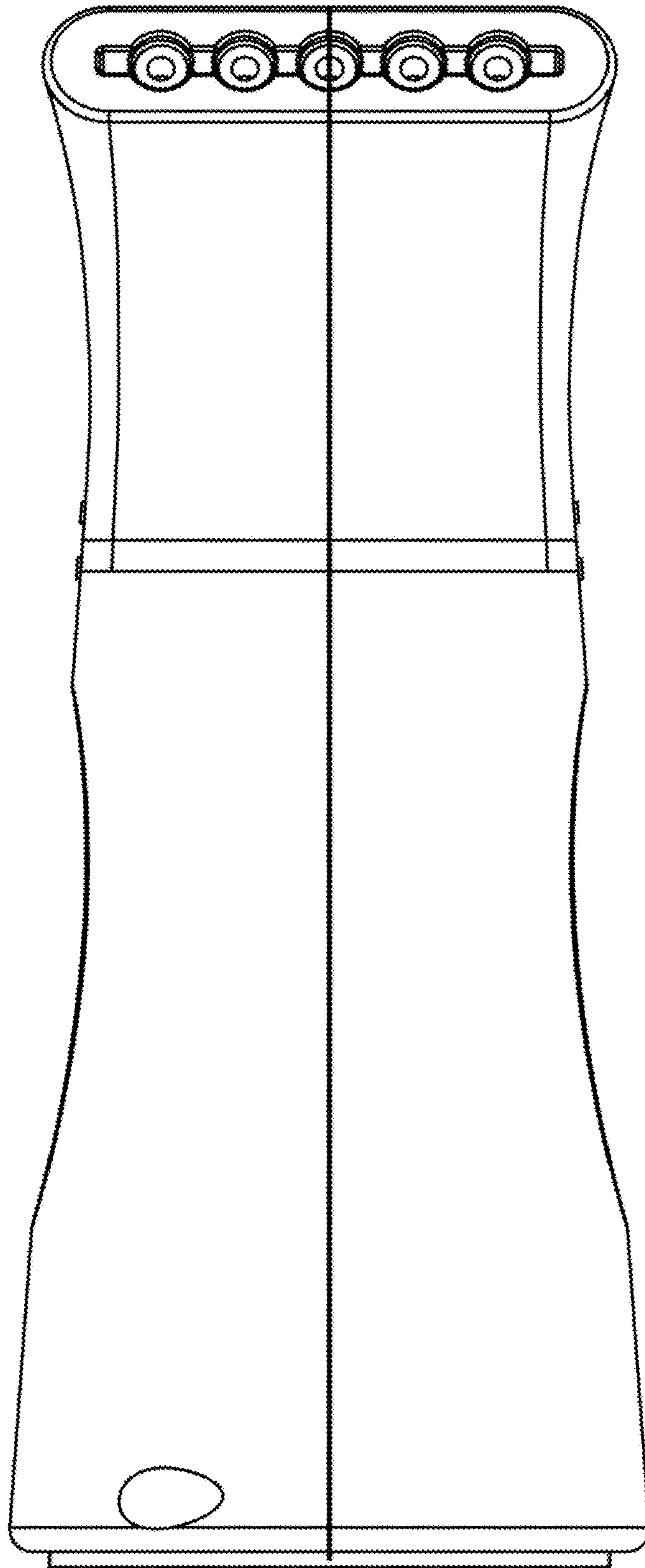


Figure 1

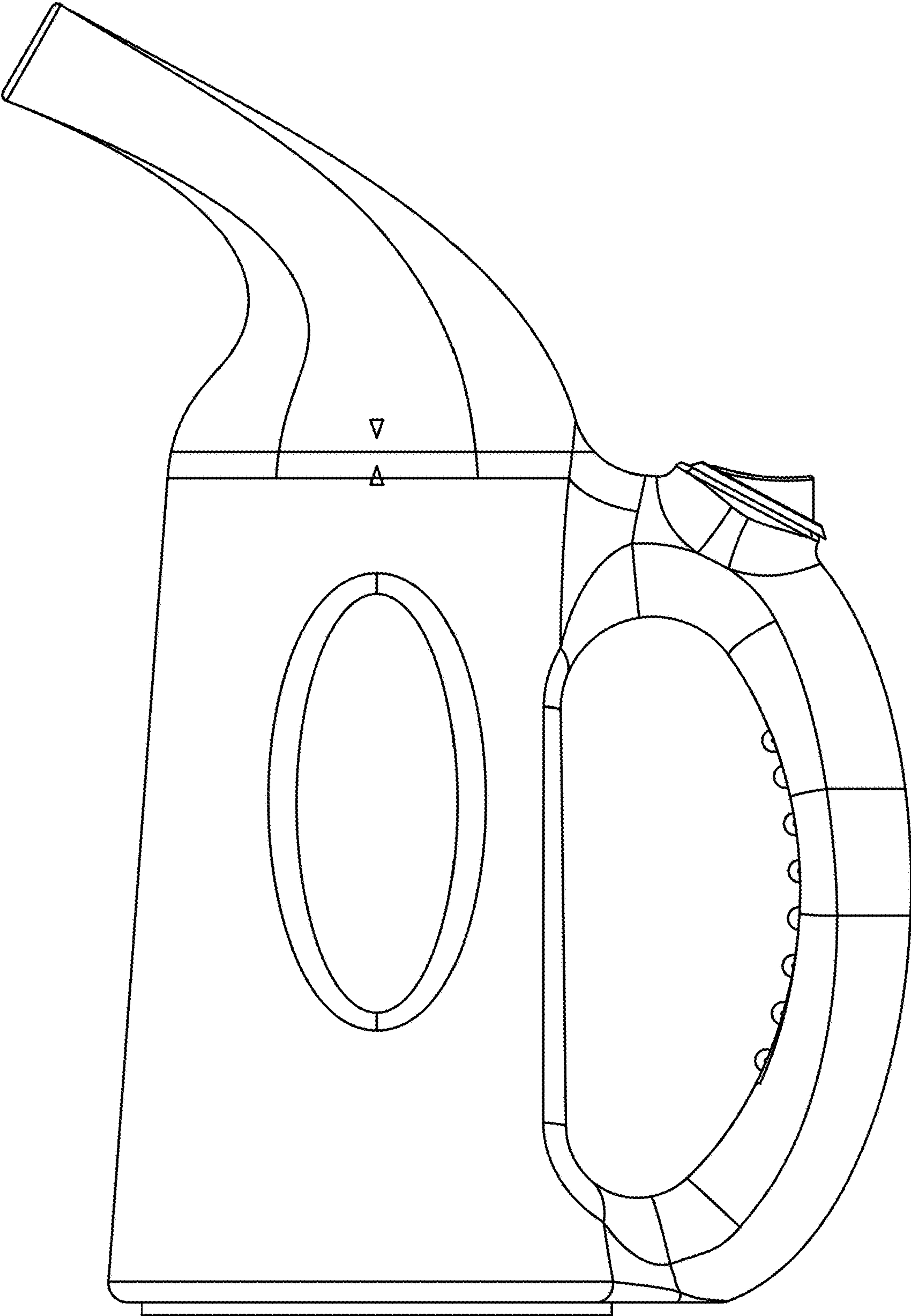


Figure 2

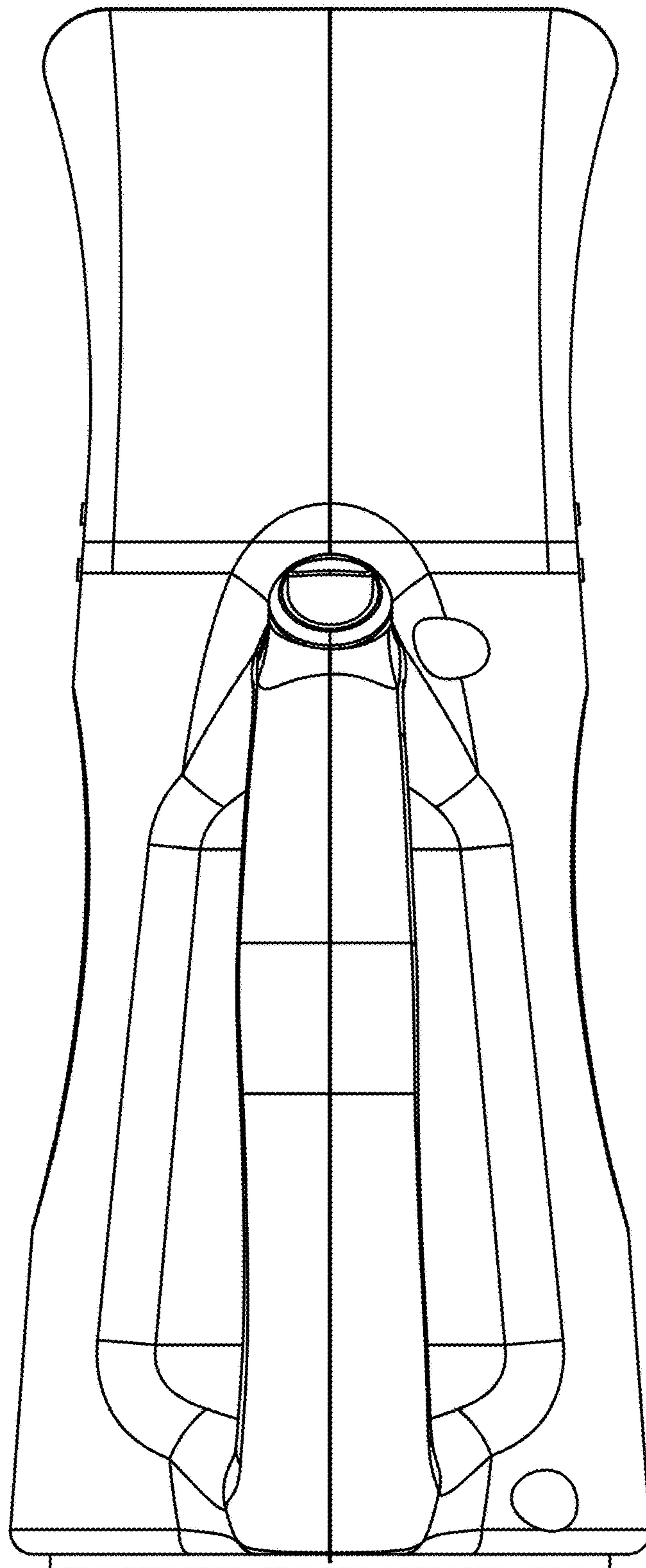


Figure 3

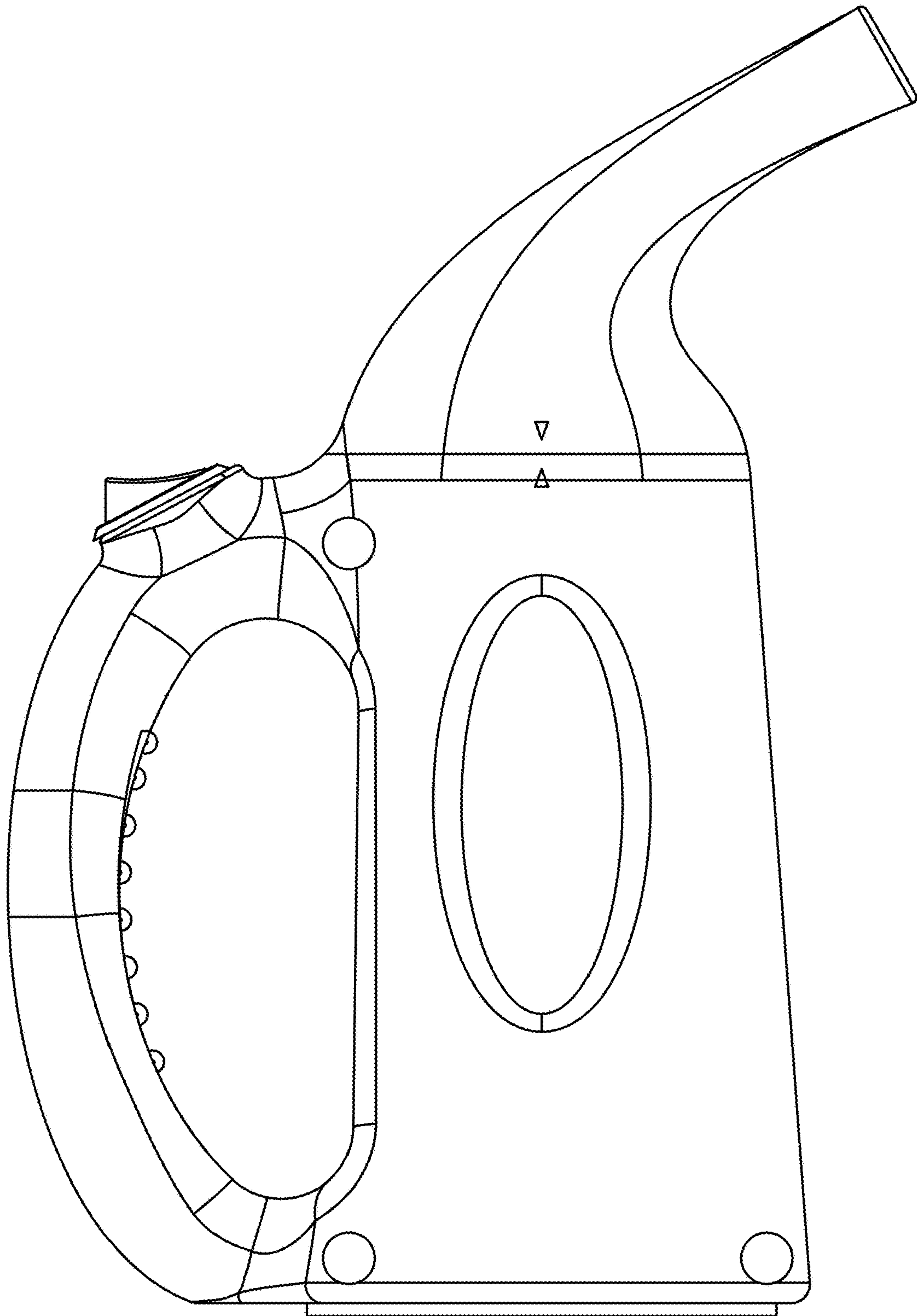


Figure 4

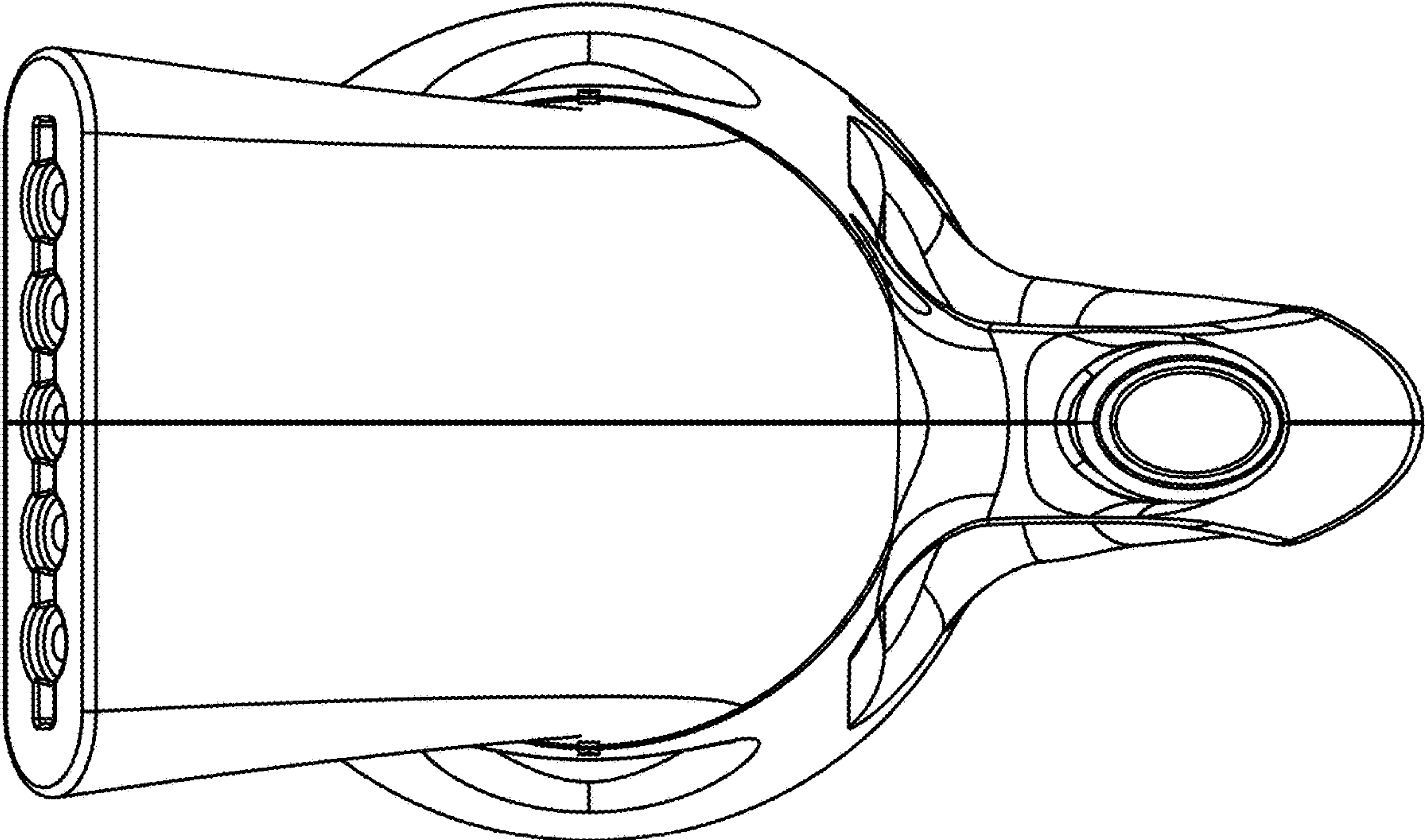


Figure 5

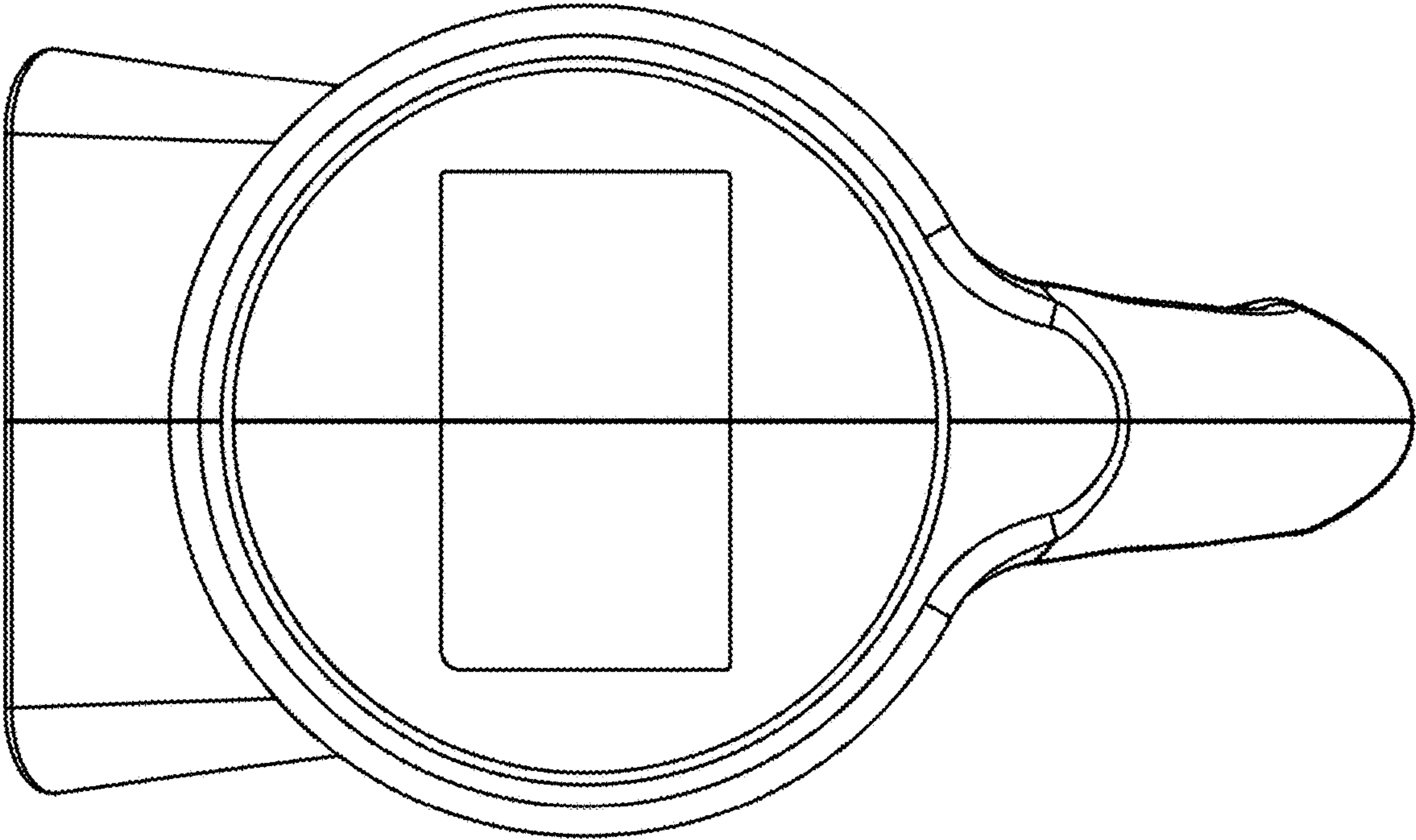


Figure 6

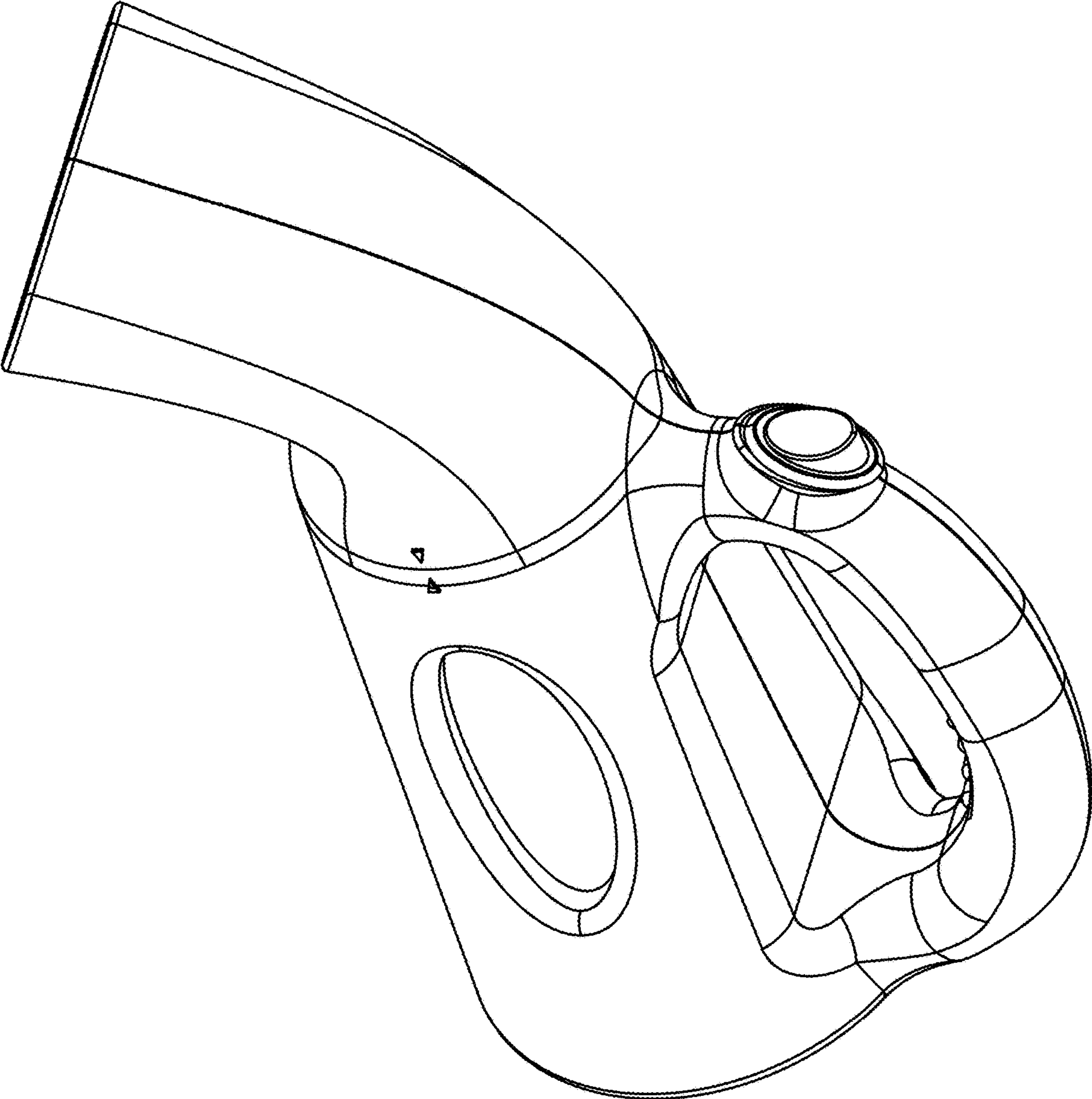


Figure 7