



US00D838065S

(12) **United States Design Patent** (10) **Patent No.:** **US D838,065 S**
Ha et al. (45) **Date of Patent:** **** Jan. 8, 2019**

(54) **DOOR FOR WASHING MACHINE**

D06F 58/02; D06F 58/04; D06F 58/20;
D06F 23/04

(71) Applicant: **LG ELECTRONICS INC.**, Seoul
(KR)

See application file for complete search history.

(72) Inventors: **Youngsoo Ha**, Seoul (KR); **Taewoo Yoo**, Seoul (KR); **Eunyoung Chee**, Seoul (KR); **Jeaseok Seong**, Seoul (KR)

(56) **References Cited**

U.S. PATENT DOCUMENTS

(73) Assignee: **LG ELECTRONICS INC.**, Seoul
(KR)

D501,966	S	*	2/2005	Hwang	D32/25
D620,656	S	*	7/2010	Bixby	D32/25
D688,429	S	*	8/2013	Meda	D32/25
D688,430	S	*	8/2013	Meda	D32/25
D730,601	S	*	5/2015	Jinnam	D32/25
D759,915	S	*	6/2016	Choi	D32/25
D761,506	S	*	7/2016	Choi	D32/25
D767,835	S	*	9/2016	Ha	D32/25
D771,335	S	*	11/2016	Yoon	D32/25
D772,504	S	*	11/2016	Kang	D32/25
D794,882	S	*	8/2017	Ha	D32/25
D796,130	S	*	8/2017	Ha	D32/25
D796,131	S	*	8/2017	Ha	D32/25
D805,703	S	*	12/2017	Yoon	D32/25

(**) Term: **15 Years**

* cited by examiner

(21) Appl. No.: **35/502,565**

(22) Filed: **Sep. 6, 2016**

Primary Examiner — Richard E Chilcot

(80) **Hague Agreement Data**

Int. Filing Date: **Sep. 6, 2016**

(74) *Attorney, Agent, or Firm* — Birch, Stewart, Kolasch & Birch, LLP

Int. Reg. No.: **DM/092461**

Int. Reg. Date: **Sep. 6, 2016**

Int. Reg. Pub. Date: **Mar. 10, 2017**

(57) **CLAIM**

The ornamental design for a door for washing machine, as shown and described.

(30) **Foreign Application Priority Data**

Mar. 16, 2016 (KR) 30-2016-0012183

DESCRIPTION

(51) **LOC (11) Cl.** **15-05**

(52) **U.S. Cl.**

USPC **D32/7**

CPC **D06F 33/02** (2013.01)

(58) **Field of Classification Search**

USPC D32/1, 5, 6, 8, 12, 25, 28, 29

CPC D06F 33/02; D06F 39/02; D06F 2204/065;

D06F 25/00; D06F 35/006; D06F 58/00;

1. Door for washing machine

1.1 is a perspective view of a door for washing machine, showing our new design;

1.2 is a front elevation view thereof;

1.3 is a rear elevation view thereof;

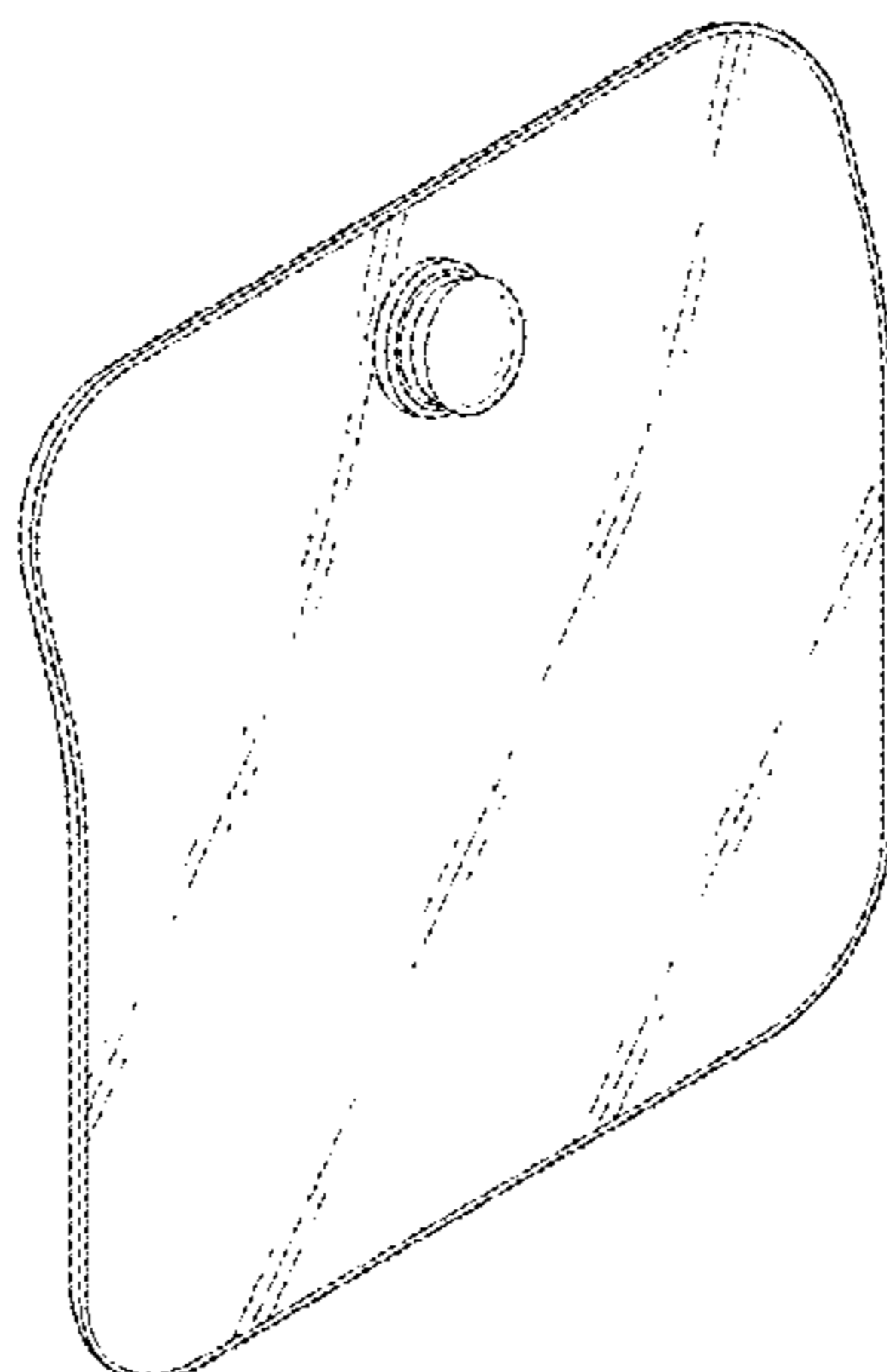
1.4 is a left-side elevation view thereof;

1.5 is a right-side elevation view thereof;

1.6 is a top plan view thereof; and

1.7 is a bottom plan view thereof.

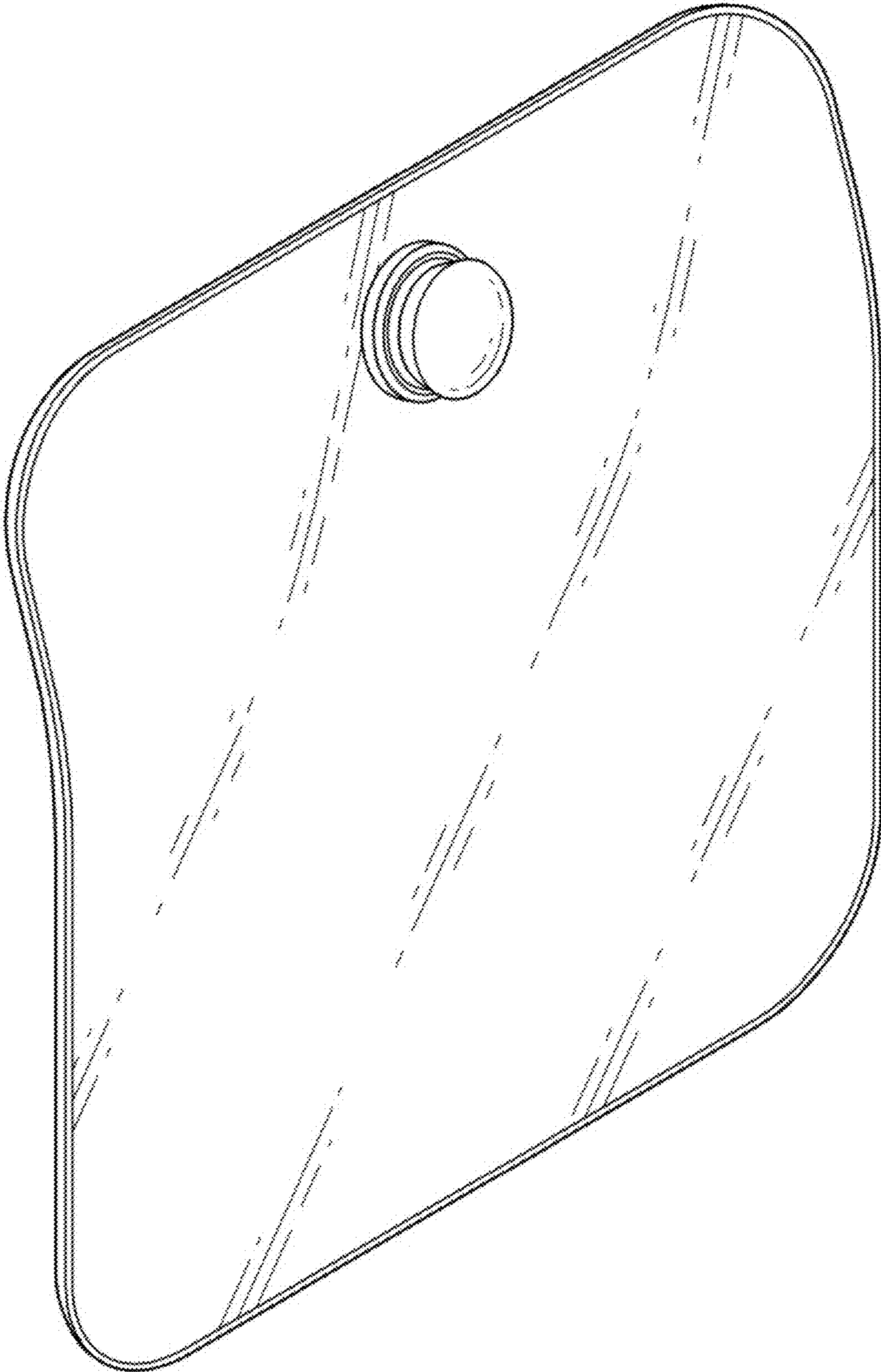
(Continued)



The broken line showing in figures 1.3-1.7 is for the purpose of illustrating portions of the door for washing machine and forms no part of the claimed design.

1 Claim, 7 Drawing Sheets

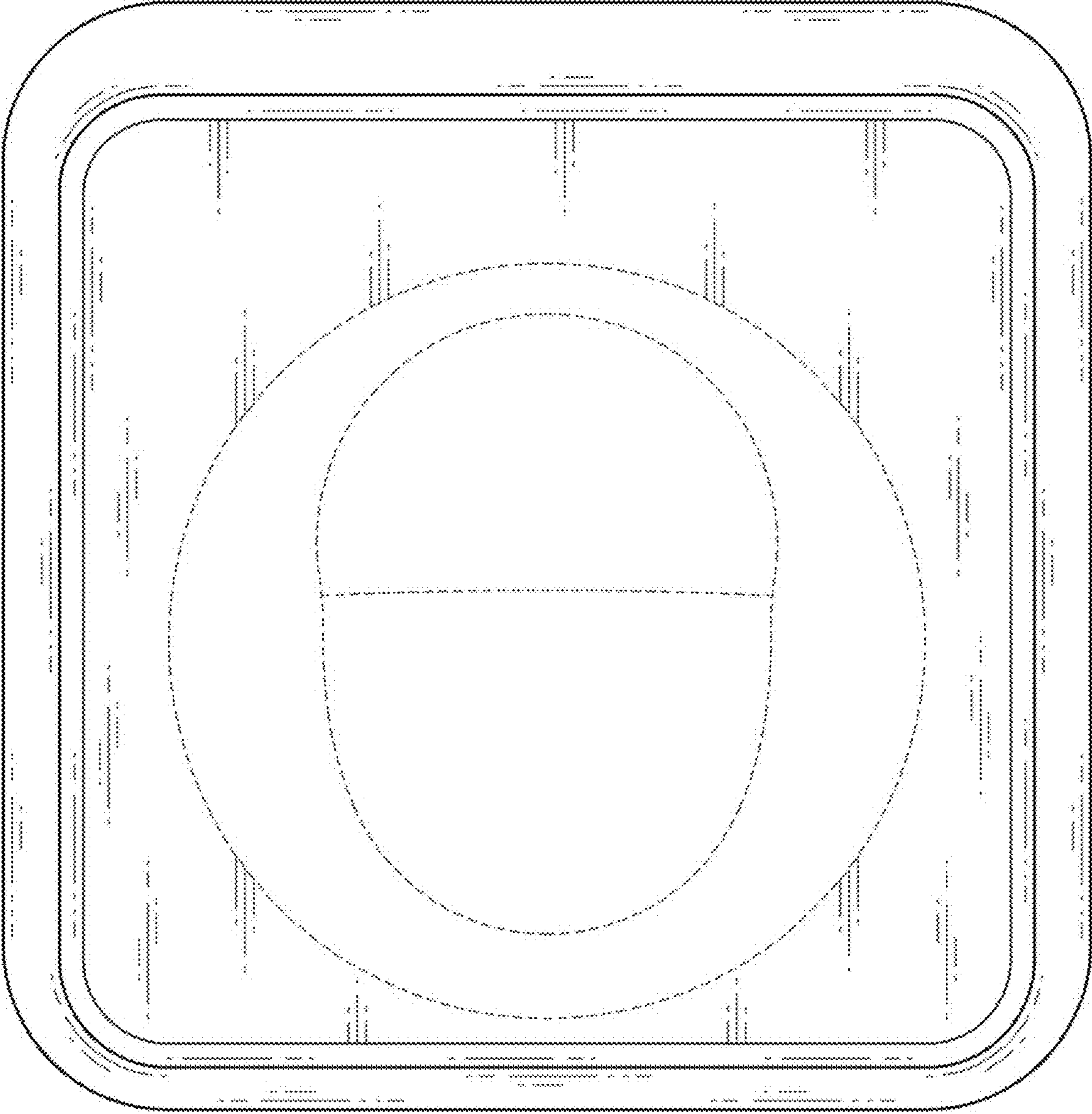
1.1



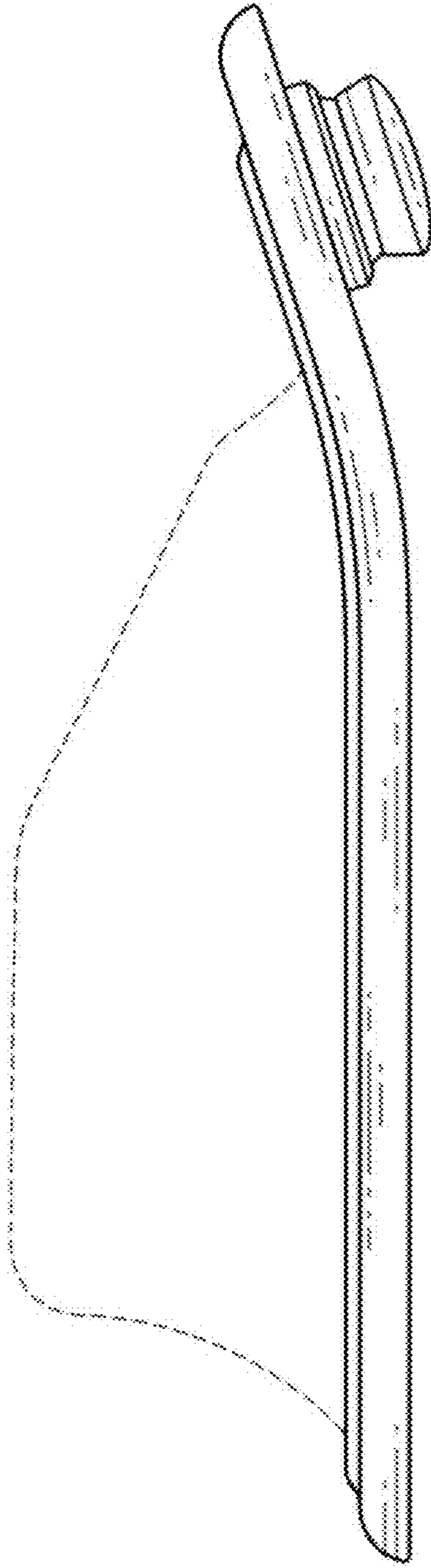
1.2



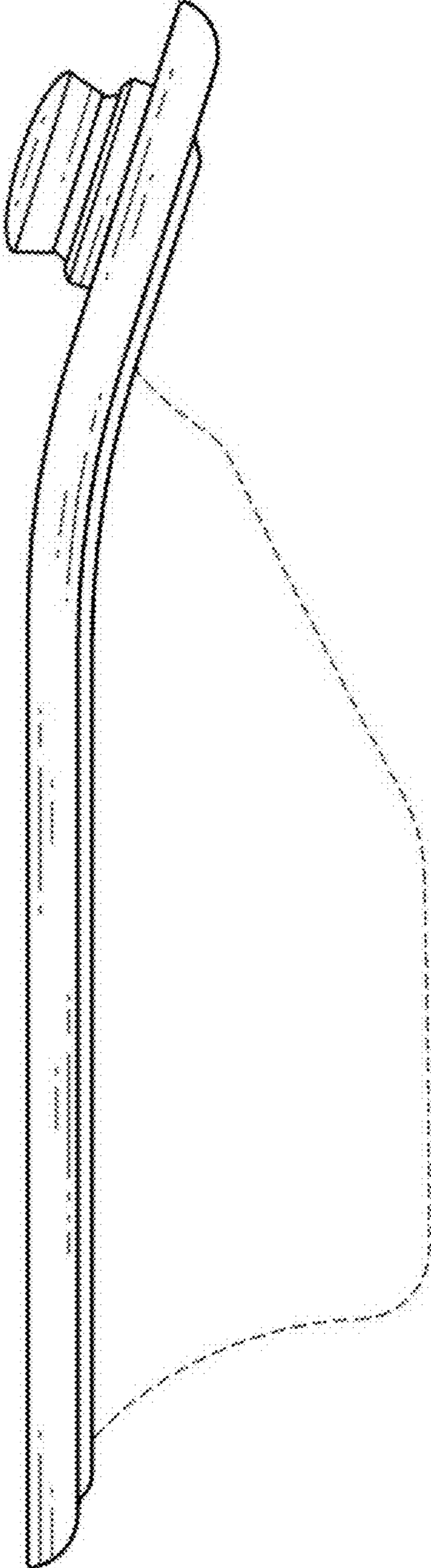
1.3



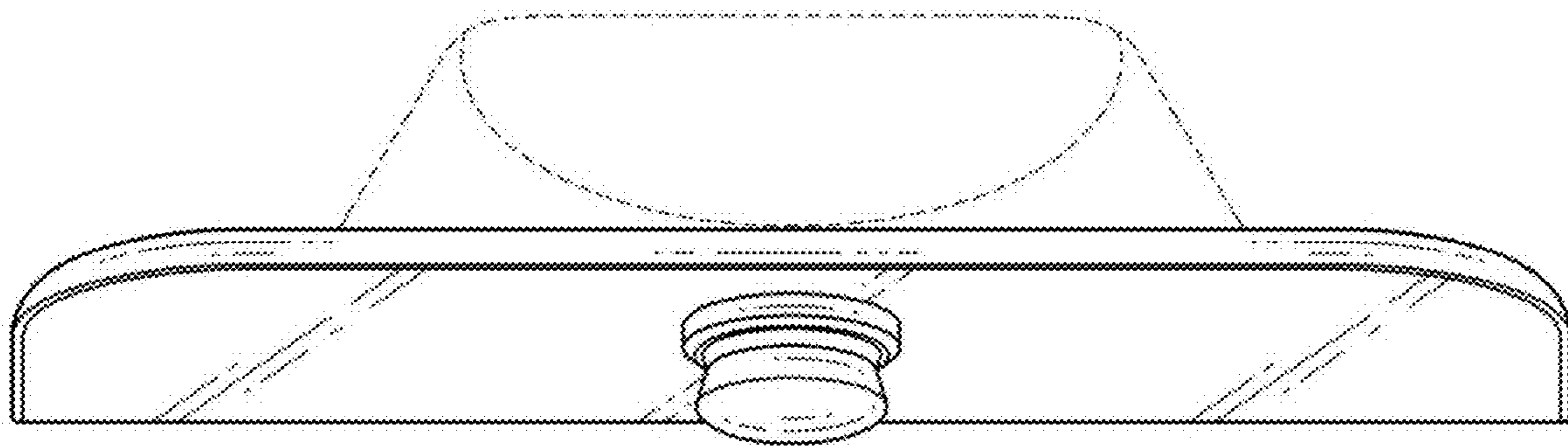
1.4



1.5



1.6



1.7

