



US00D838064S

(12) **United States Design Patent** (10) **Patent No.:** **US D838,064 S**
Ha et al. (45) **Date of Patent:** **** *Jan. 8, 2019**

(54) **WASHING MACHINE**

(56) **References Cited**

(71) Applicant: **LG ELECTRONICS INC.**, Seoul (KR)

U.S. PATENT DOCUMENTS

(72) Inventors: **Youngsoo Ha**, Seoul (KR); **Taewoo Yoo**, Seoul (KR); **Eunyoung Chee**, Seoul (KR); **Jeaseok Seong**, Seoul (KR)

| | | | | |
|--------------|---------|-----------|-------|-------|
| D521,197 S * | 5/2006 | Kim | | D32/8 |
| D549,901 S * | 8/2007 | Kwon | | D32/6 |
| D589,216 S * | 3/2009 | Park | | D32/6 |
| D617,960 S * | 6/2010 | Bohm | | D32/6 |
| D680,281 S * | 4/2013 | Qin | | D32/6 |
| D692,194 S * | 10/2013 | Meda | | D32/6 |
| D695,472 S * | 12/2013 | Borjesson | | D32/6 |
| D695,978 S * | 12/2013 | Lee | | D32/6 |
| D764,722 S * | 8/2016 | Jo | | D32/6 |
| D770,706 S * | 11/2016 | Ha | | D32/6 |
| D773,755 S * | 12/2016 | Hwang | | D32/6 |
| D781,004 S * | 3/2017 | Lee | | D32/6 |
| D806,329 S * | 12/2017 | Carlehed | | D32/6 |

(73) Assignee: **LG ELECTRONICS INC.**, Seoul (KR)

(*) Notice: This patent is subject to a terminal disclaimer.

(**) Term: **15 Years**

* cited by examiner

(21) Appl. No.: **35/502,570**

Primary Examiner — Michael A. Pratt

(22) Filed: **Sep. 8, 2016**

(74) *Attorney, Agent, or Firm* — Birch, Stewart, Kolasch & Birch, LLP

(80) **Hague Agreement Data**

Int. Filing Date: **Sep. 8, 2016**
Int. Reg. No.: **DM/092467**
Int. Reg. Date: **Sep. 8, 2016**
Int. Reg. Pub. Date: **Mar. 10, 2017**

(57) **CLAIM**

The ornamental design for a washing machine, as shown and described.

(30) **Foreign Application Priority Data**

DESCRIPTION

Mar. 16, 2016 (KR) 30-2016-0012188

(51) **LOC (11) Cl.** **15-05**

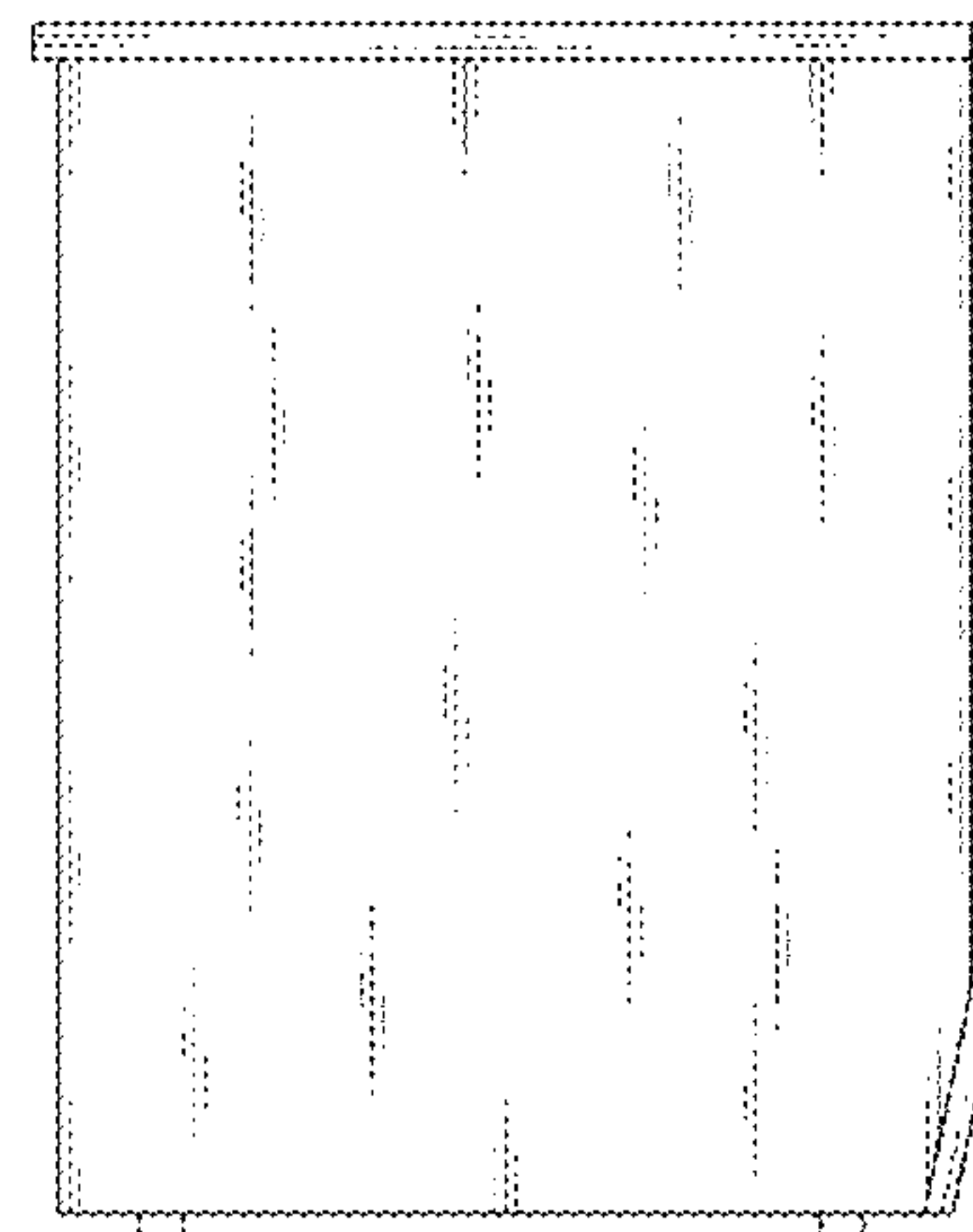
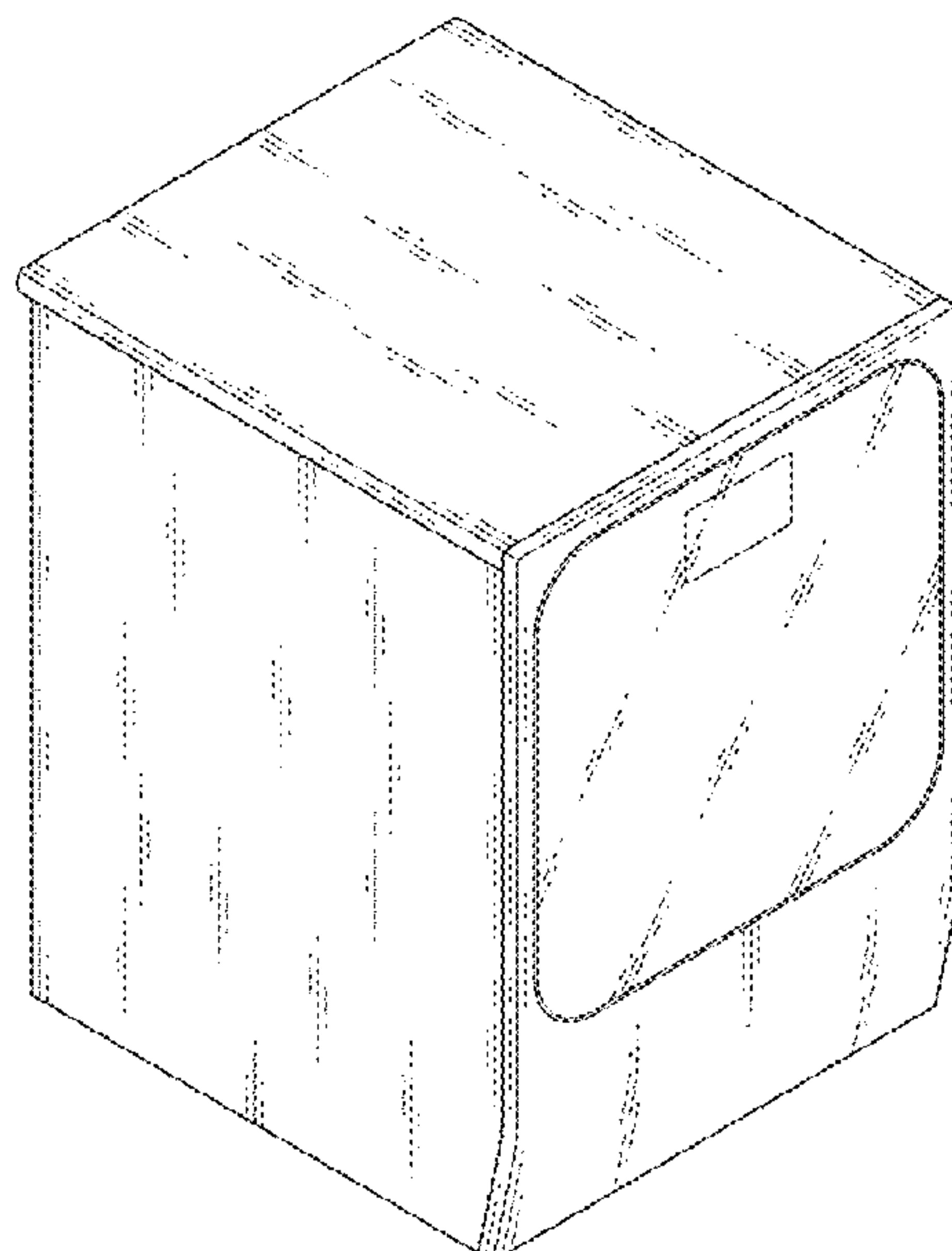
(52) **U.S. Cl.**
USPC **D32/6**

(58) **Field of Classification Search**
USPC D32/5, 6, 8
CPC D06F 39/045; D06F 29/00; D06F 29/005;
D06F 25/00; D06F 39/022; D06F 33/02;
D06F 2204/065; D06F 35/006

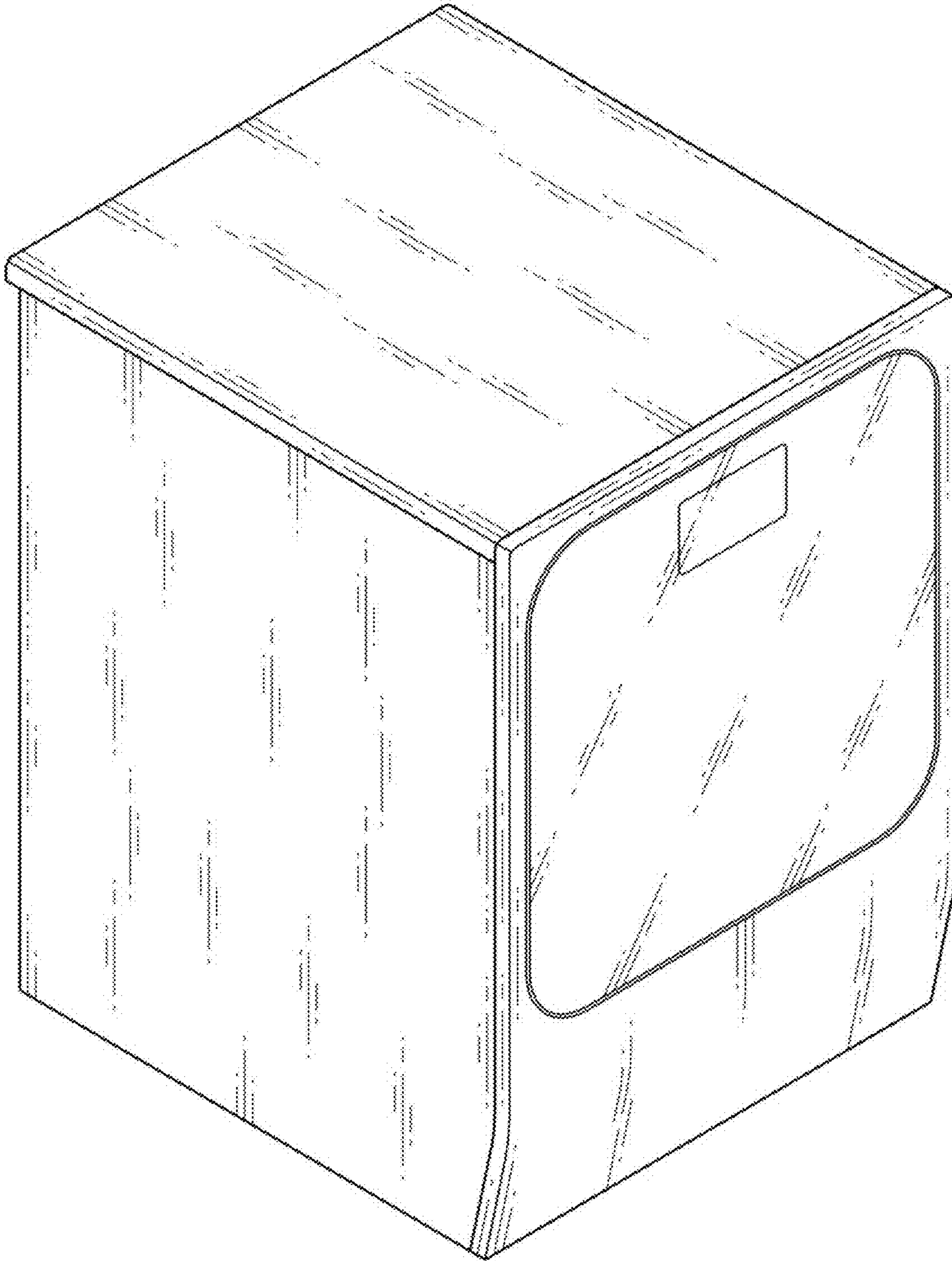
1. Washing machine
- 1.1 is a perspective view of a washing machine, showing our new design;
- 1.2 is a front elevation view thereof;
- 1.3 is a rear elevation view thereof;
- 1.4 is a left-side elevation view thereof;
- 1.5 is a right-side elevation view thereof;
- 1.6 is a top plan view thereof; and
- 1.7 is a bottom plan view thereof.

See application file for complete search history.

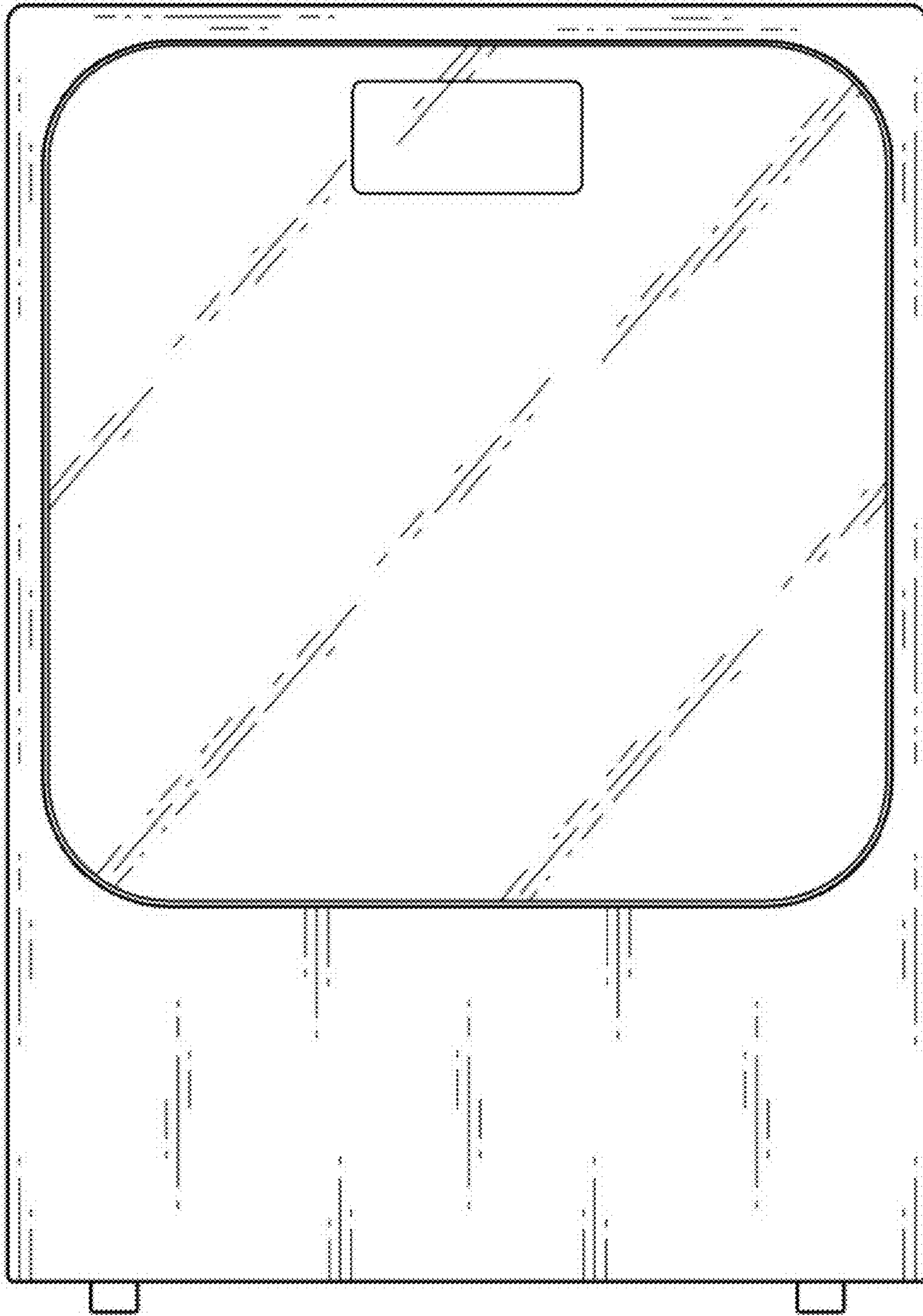
1 Claim, 7 Drawing Sheets



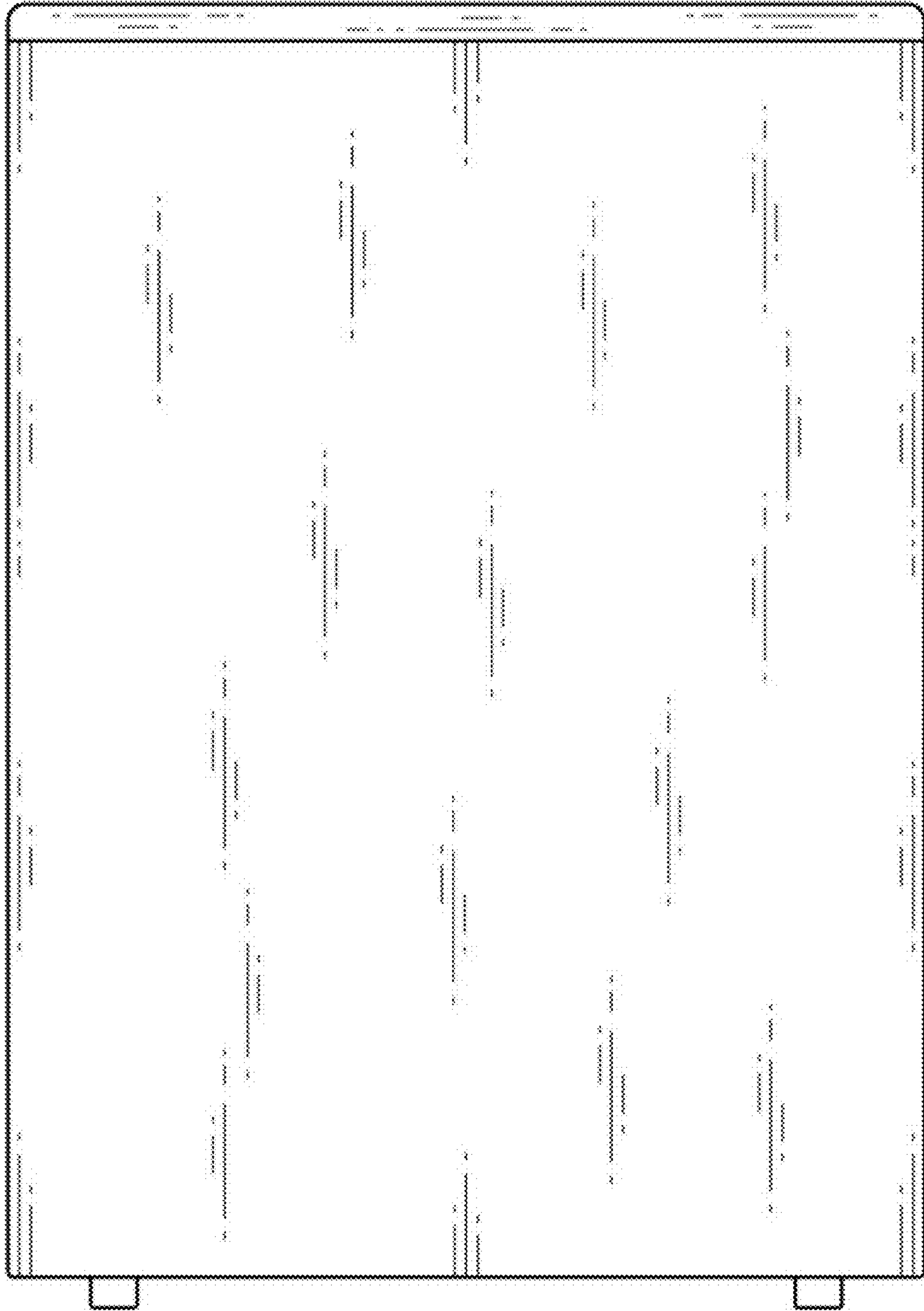
1.1



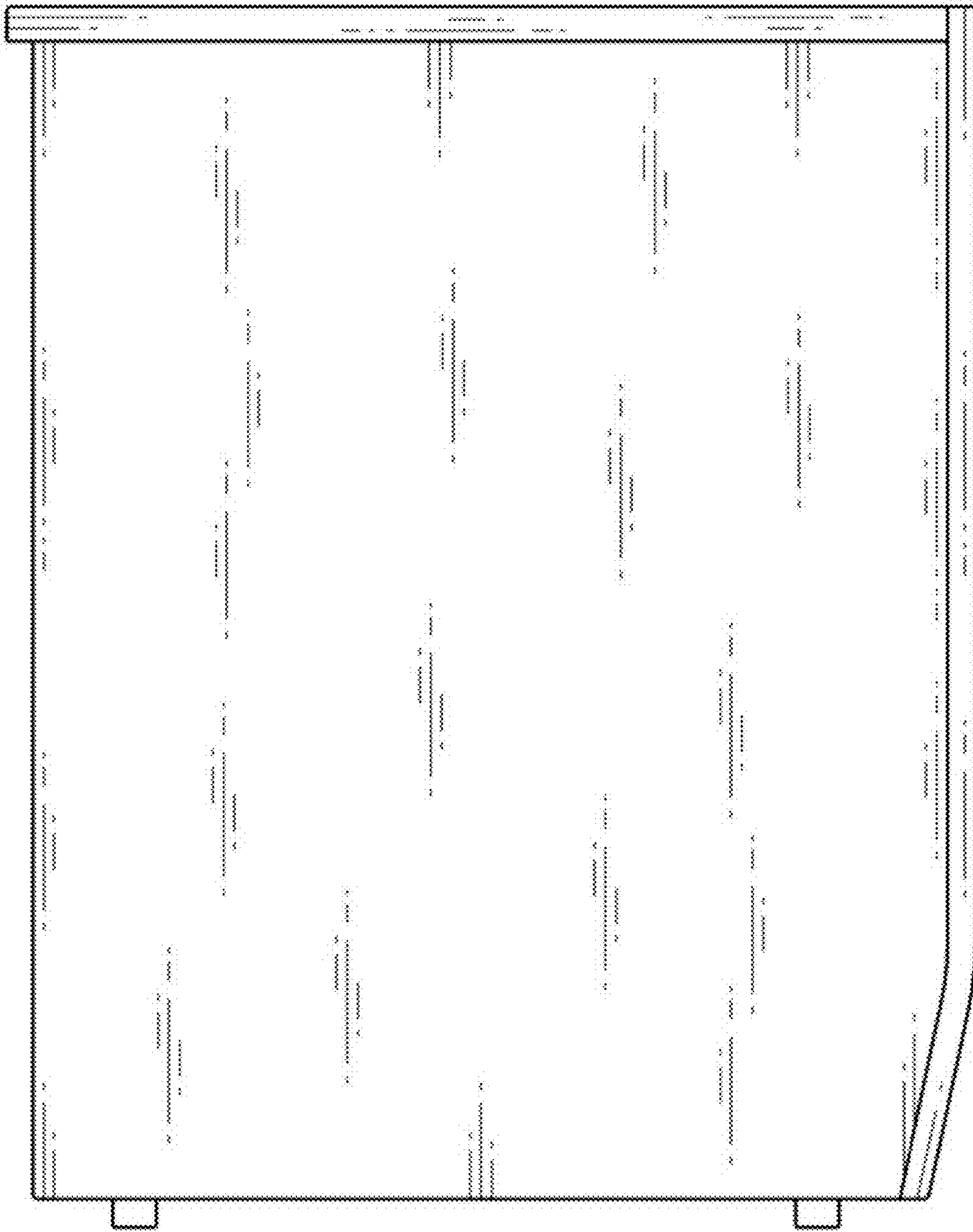
1.2



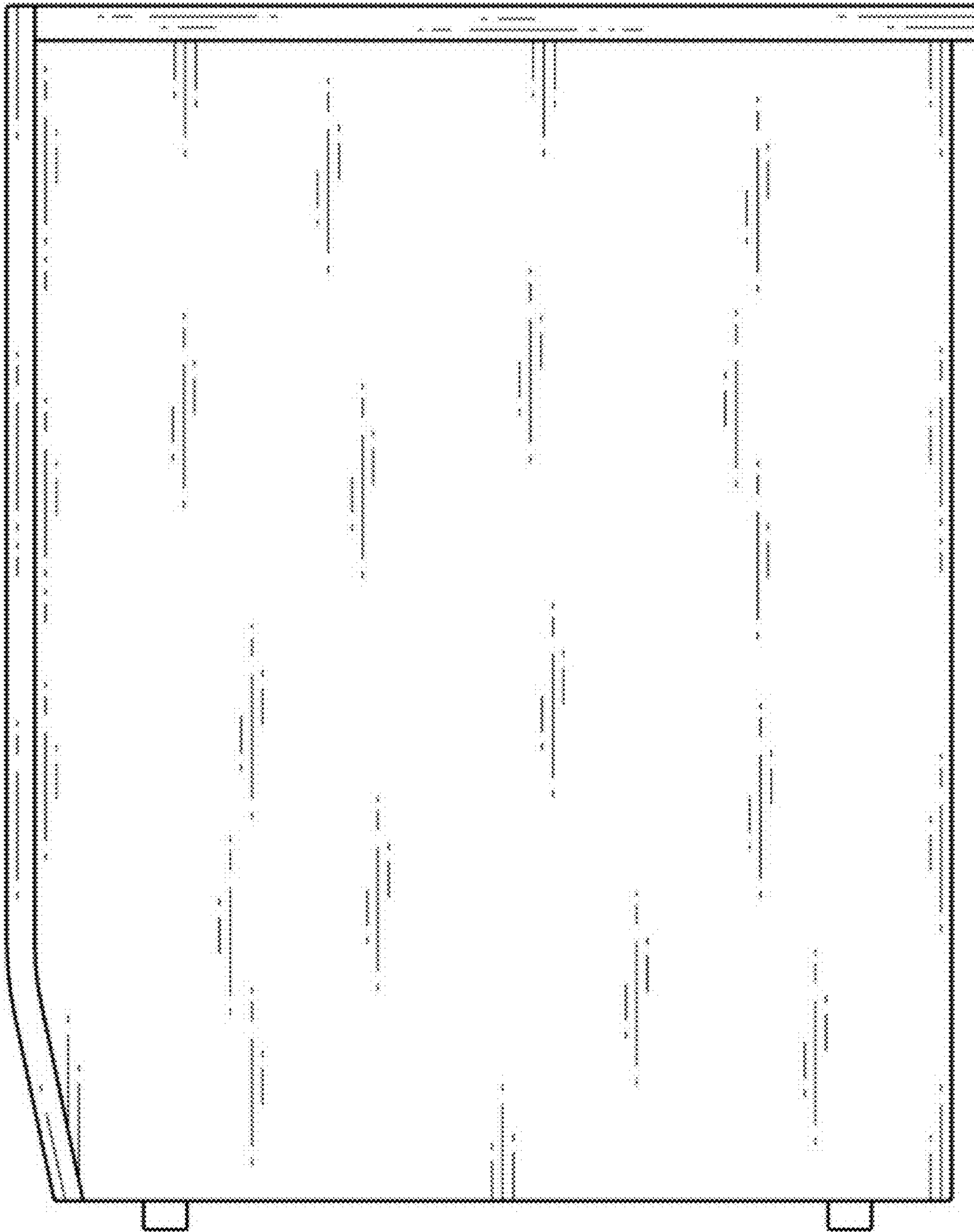
1.3



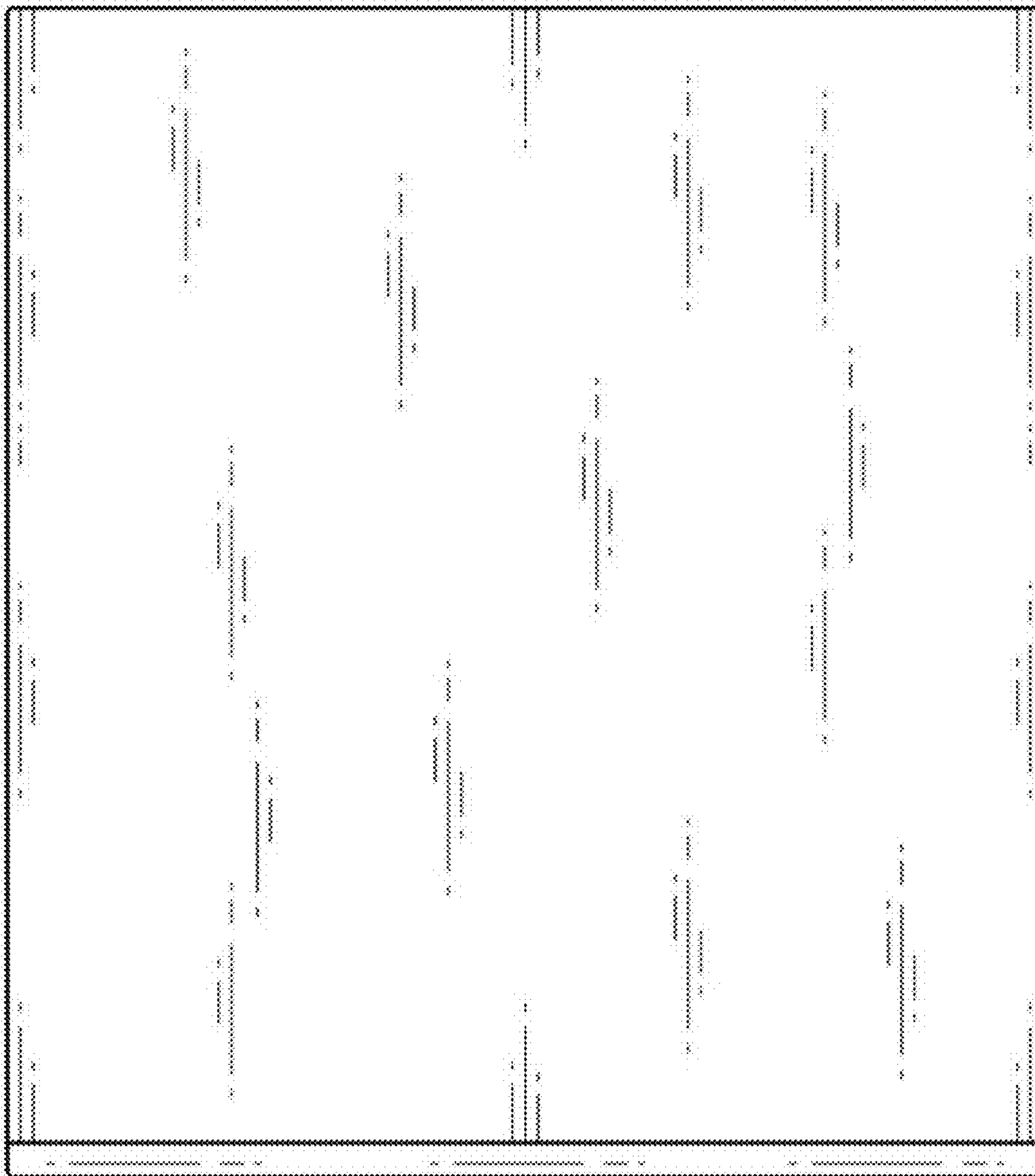
1.4



1.5



1.6



1.7

