



US00D838063S

(12) **United States Design Patent** (10) **Patent No.:** **US D838,063 S**
Ha et al. (45) **Date of Patent:** **** Jan. 8, 2019**

(54) **WASHING MACHINE** 5,875,655 A * 3/1999 Herman-Latack D06F 39/026
222/166
(71) Applicant: **LG ELECTRONICS INC.**, Seoul D446,890 S * 8/2001 Cho D32/6
(KR) D470,632 S * 2/2003 Oda D32/6
D501,966 S * 2/2005 Hwang D32/25
(72) Inventors: **Youngsoo Ha**, Seoul (KR); **Taewoo** D503,835 S * 4/2005 Oda D32/6
Yoo, Seoul (KR); **Jonghee Han**, Seoul D506,045 S * 6/2005 No D32/25
(KR); **Eunyoung Chee**, Seoul (KR); D515,260 S * 2/2006 Ha D32/25
Seungho Oh, Seoul (KR); **Jaeseok** D516,258 S * 2/2006 Matsusaki D32/1
Seong, Seoul (KR) D519,692 S * 4/2006 Jun D32/6
(Continued)

(73) Assignee: **LG ELECTRONICS INC.**, Seoul *Primary Examiner* — Michelle E. Wilson
(KR) (74) *Attorney, Agent, or Firm* — KED & Associates LLP

(**) Term: **15 Years**

(57) **CLAIM**

(21) Appl. No.: **29/560,359**

We claim the ornamental design for a washing machine, as shown and described.

(22) Filed: **Apr. 6, 2016**

DESCRIPTION

Related U.S. Application Data

(63) Continuation of application No. 29/537,336, filed on Aug. 25, 2015, now Pat. No. Des. 770,706.

(51) **LOC (11) Cl.** **15-05**

(52) **U.S. Cl.**
USPC **D32/6**

(58) **Field of Classification Search**
USPC D32/29.1, 29, 28, 6, 25, 8, 1, 5, 10
CPC D06F 39/045; D06F 29/00; D06F 29/005;
D06F 25/00; D06F 39/022; D06F 33/02;
D06F 2204/065; D06F 35/006
See application file for complete search history.

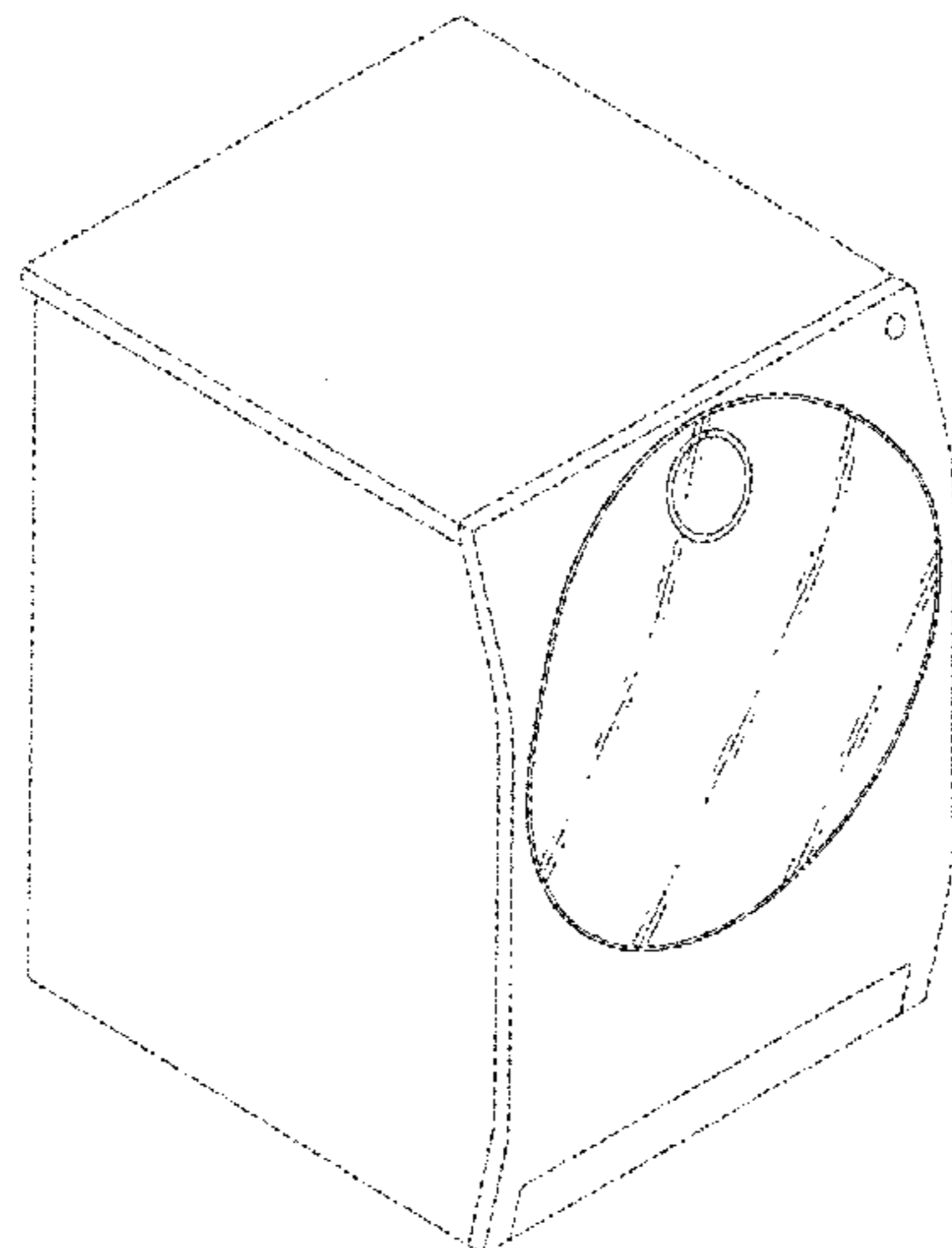
FIG. 1 is a perspective view of a washing machine, showing our new design;
FIG. 2 is a front elevation view thereof;
FIG. 3 is a rear elevation view thereof;
FIG. 4 is a first-side elevation view thereof;
FIG. 5 is a second-side elevation view thereof;
FIG. 6 is a top plan view thereof;
FIG. 7 is a bottom plan view thereof;
FIG. 8 is a perspective view of a washing machine, showing another new design;
FIG. 9 is a front elevation view thereof;
FIG. 10 is a rear elevation view thereof;
FIG. 11 is a first-side elevation view thereof;
FIG. 12 is a second-side elevation view thereof;
FIG. 13 is a top plan view thereof; and,
FIG. 14 is a bottom plan view thereof.
The broken lines in the drawing figures are included to show unclaimed portions only and form no part of the claimed design.

(56) **References Cited**

U.S. PATENT DOCUMENTS

D177,010 S 3/1956 Boldt
D236,152 S 7/1975 Yamamoto
D300,279 S * 3/1989 Umehara D32/6
D313,679 S * 1/1991 Sakamoto D32/6
5,469,593 A * 11/1995 Cuthbert D06F 37/28
68/140

1 Claim, 14 Drawing Sheets



(56)

References Cited

U.S. PATENT DOCUMENTS

7,073,356 B2 *	7/2006	Nakamura	D06F 37/10 68/12.26	D635,313 S *	3/2011	Jeon	D32/6
D536,145 S	1/2007	Lee et al.			D646,859 S *	10/2011	DeSalvo	D32/25
D541,491 S *	4/2007	Jun	D32/6	D688,429 S *	8/2013	Meda	D32/25
D544,157 S *	6/2007	Crookshanks	D32/25	D688,430 S *	8/2013	Meda	D32/25
D556,956 S	12/2007	Kim			D700,409 S *	2/2014	Takahashi	D32/25
D575,913 S	8/2008	Jeon et al.			D703,886 S *	4/2014	Ha	D32/6
D582,107 S *	12/2008	Ha	D32/6	D709,657 S *	7/2014	Shin	D32/25
D588,312 S	3/2009	Lee			D730,601 S *	5/2015	Jinnam	D32/25
D589,216 S	3/2009	Park et al.			D730,602 S *	5/2015	Choi	D32/25
D592,367 S *	5/2009	Crookshanks	D32/25	D731,131 S *	6/2015	Ha	D32/25
D597,712 S *	8/2009	Jeon	D32/6	D732,762 S *	6/2015	Joo	D32/6
D599,509 S *	9/2009	Jeon	D32/6	D732,767 S *	6/2015	Ha	D32/25
D616,163 S *	5/2010	Nam	D32/25	D733,372 S *	6/2015	Song	D32/6
D622,918 S *	8/2010	Choi	D32/25	D738,582 S *	9/2015	Chung	D32/6
D627,114 S *	11/2010	Jeon	D32/6	D744,177 S *	11/2015	Jung	D32/6
D631,623 S *	1/2011	Chung	D32/6	D747,836 S	1/2016	Cho et al.		
D634,492 S *	3/2011	Chung	D32/6	D750,857 S	3/2016	Cho et al.		
					D759,909 S	6/2016	Kim et al.		
					D767,835 S *	9/2016	Ha	D32/25
					2003/0230017 A1	12/2003	Geyer		
					2011/0023559 A1	2/2011	Schöne		

* cited by examiner

FIG. 1

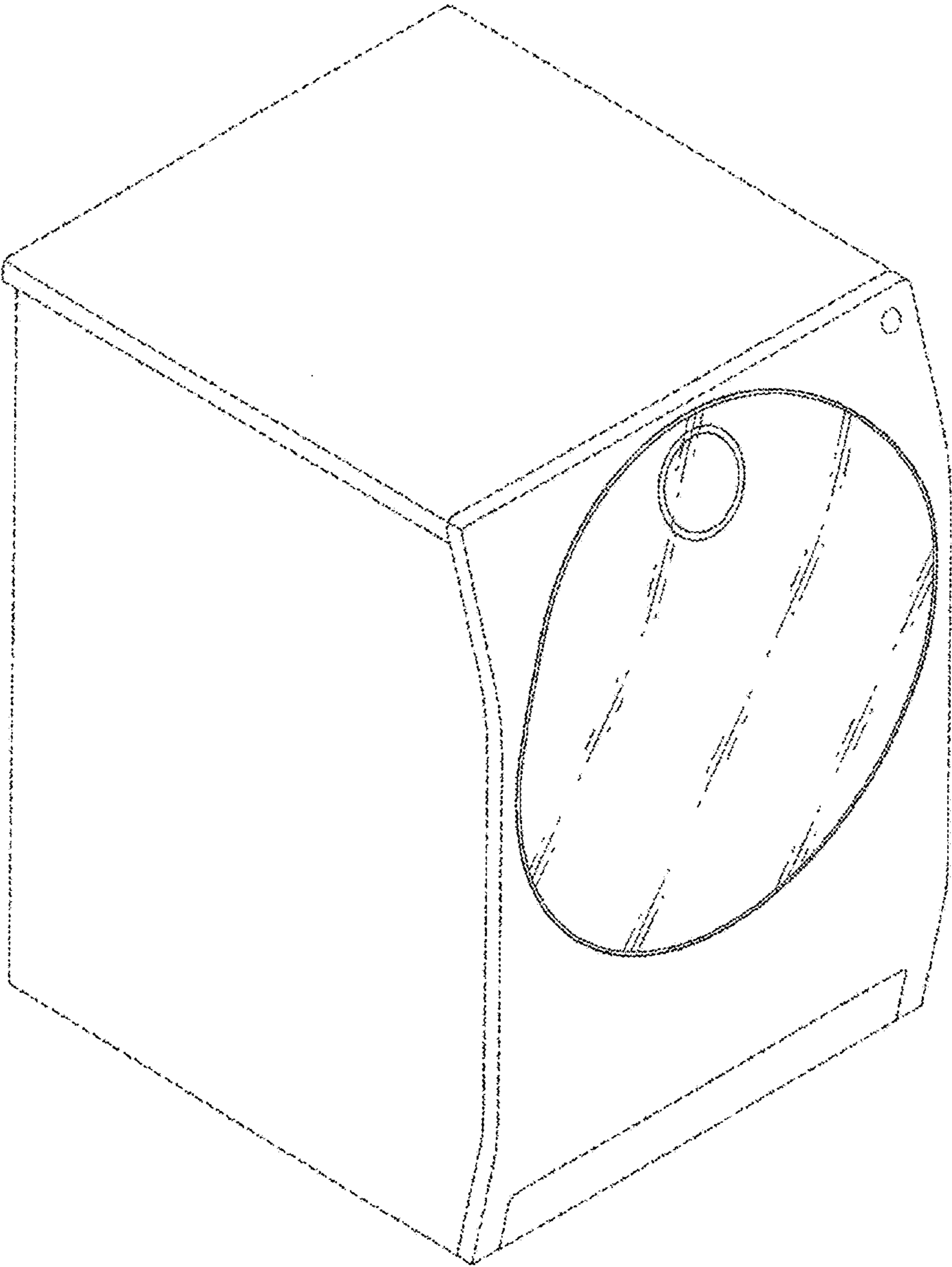


FIG. 2

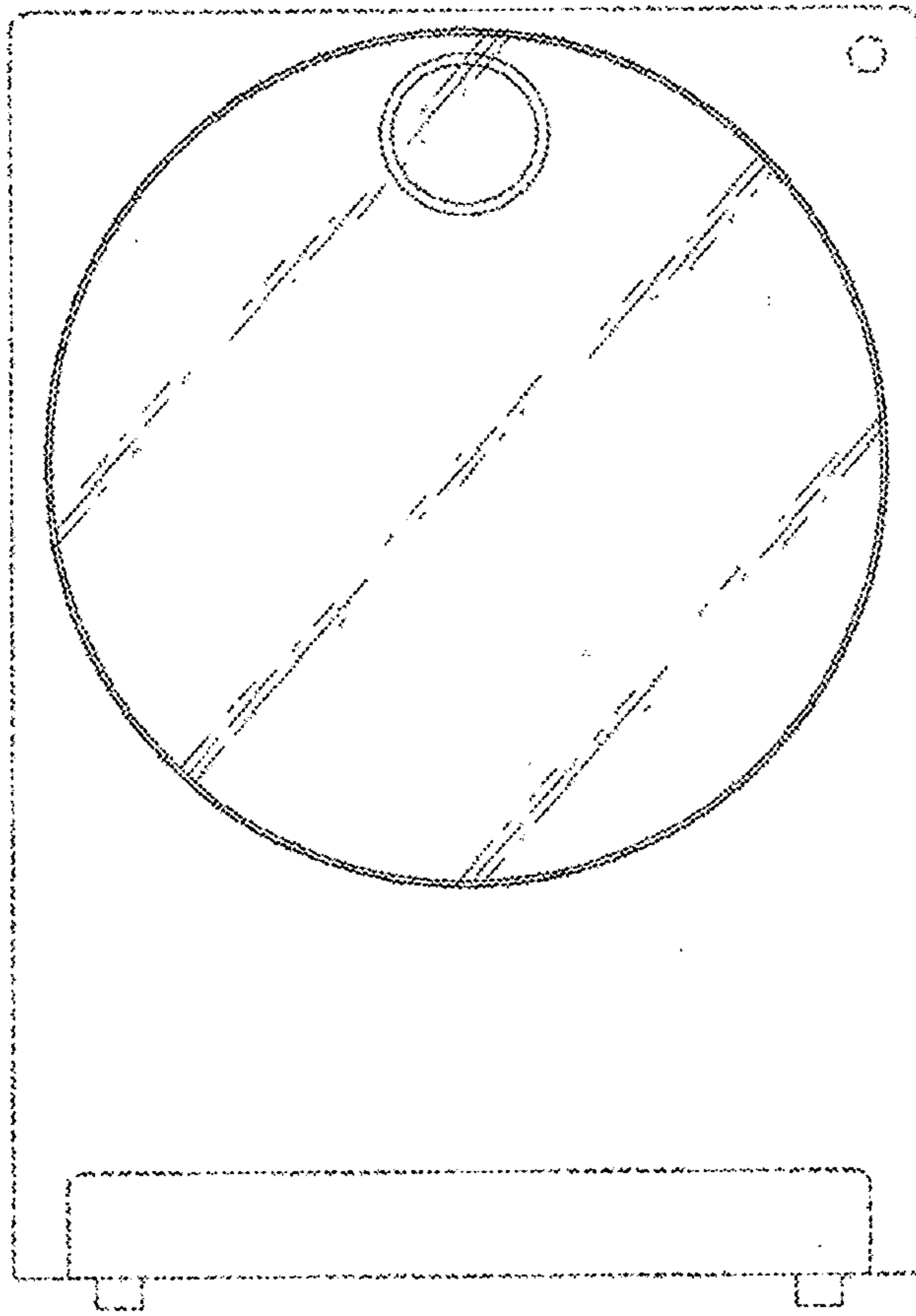


FIG. 3

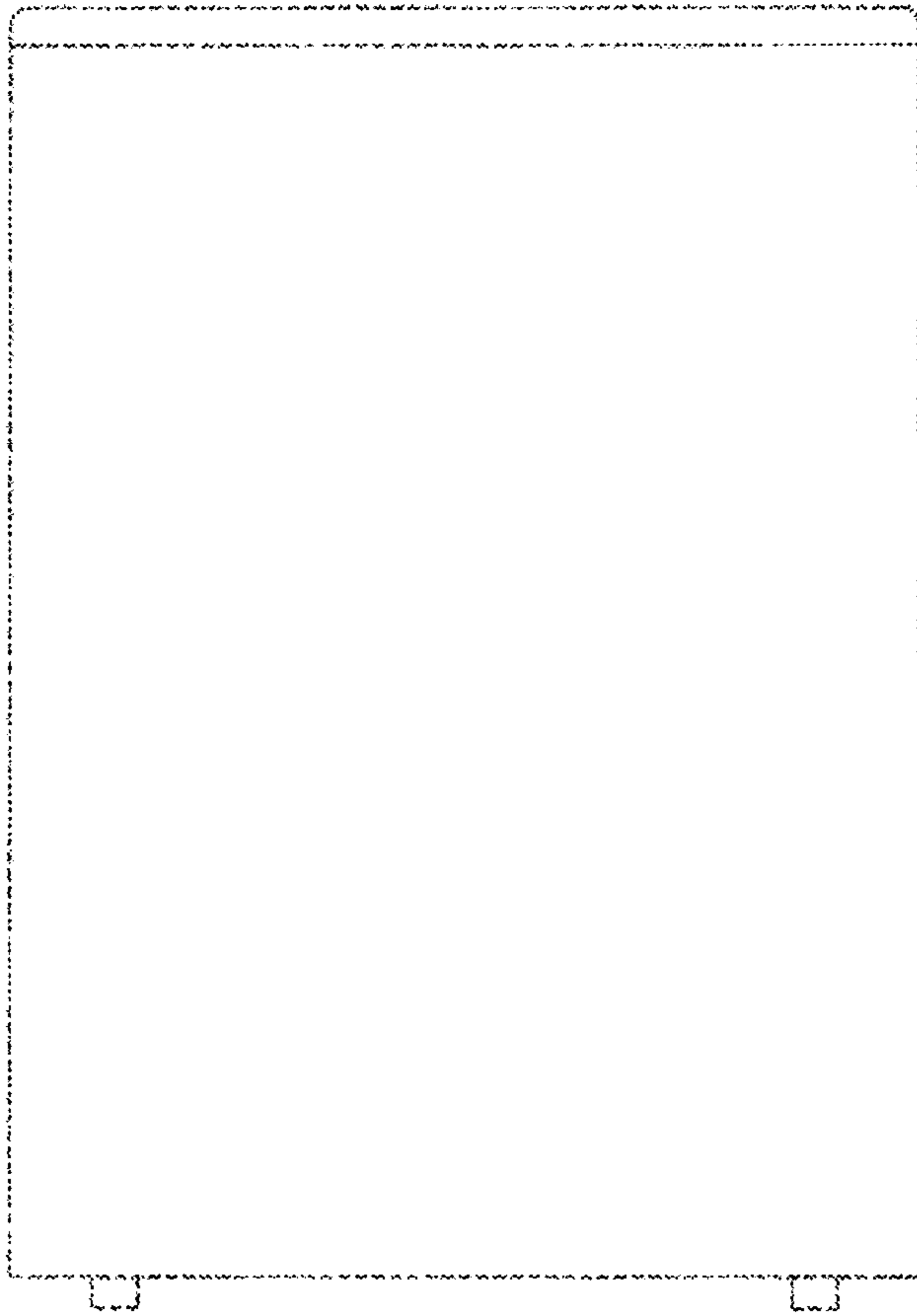


FIG. 4

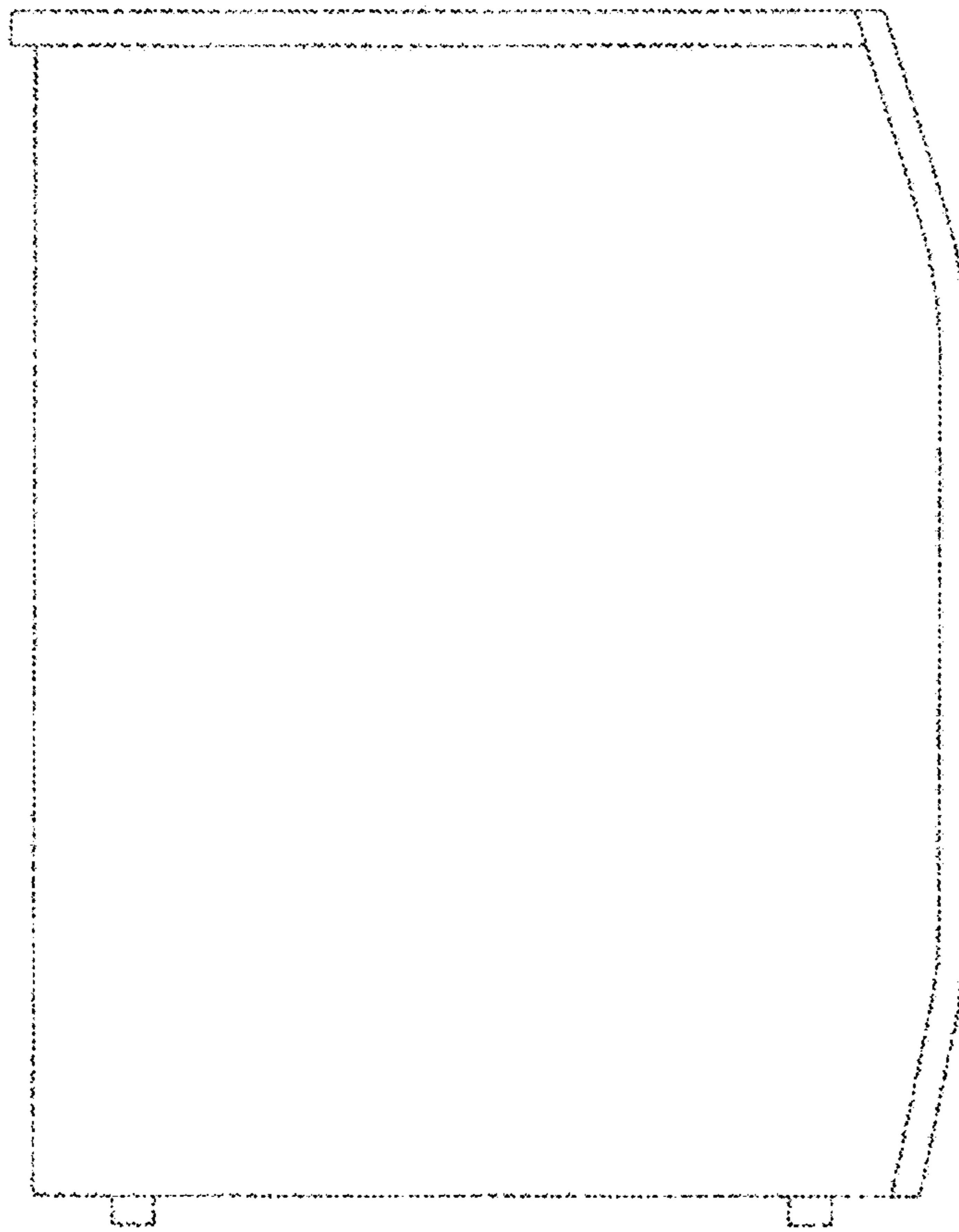


FIG. 5

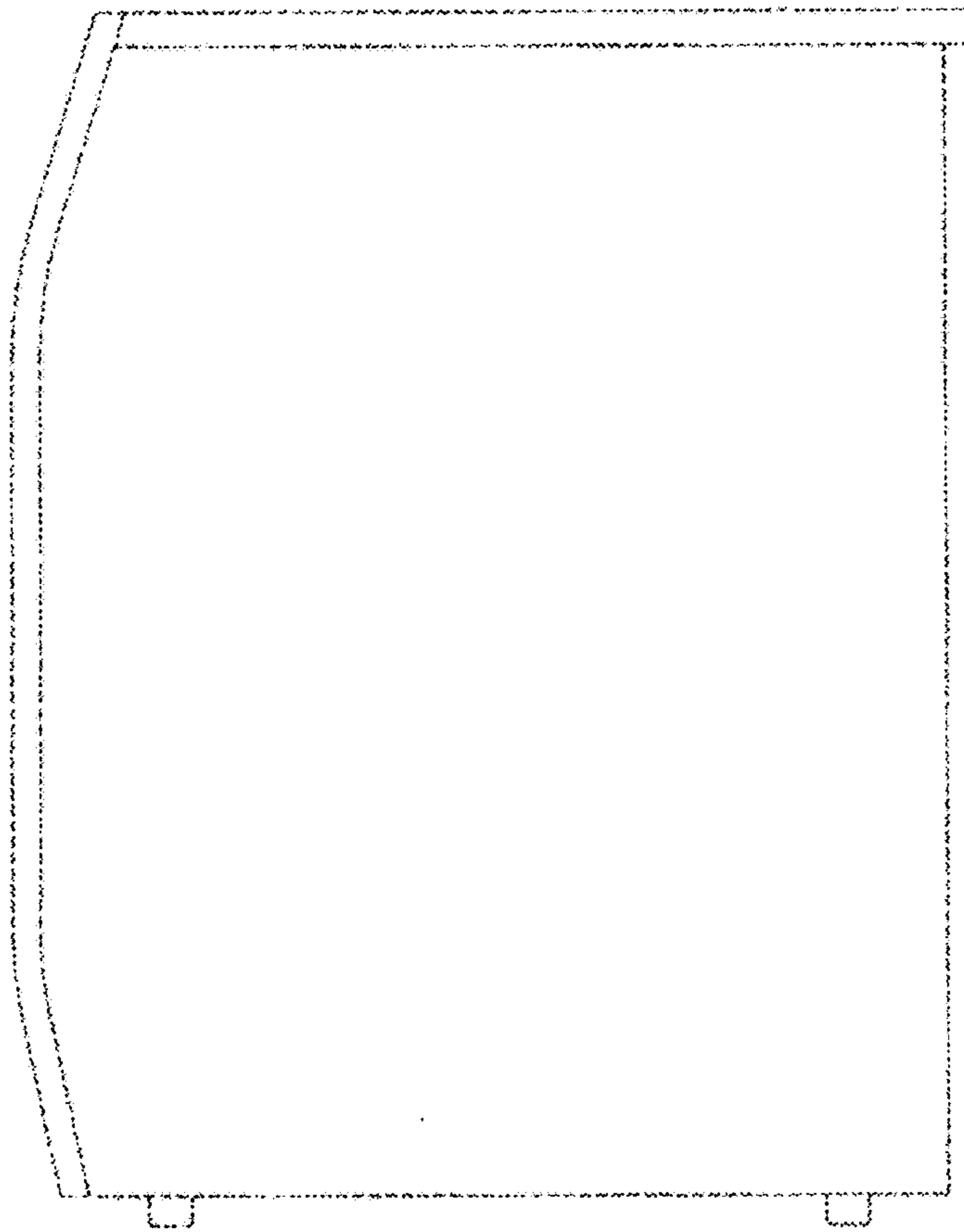


FIG. 6

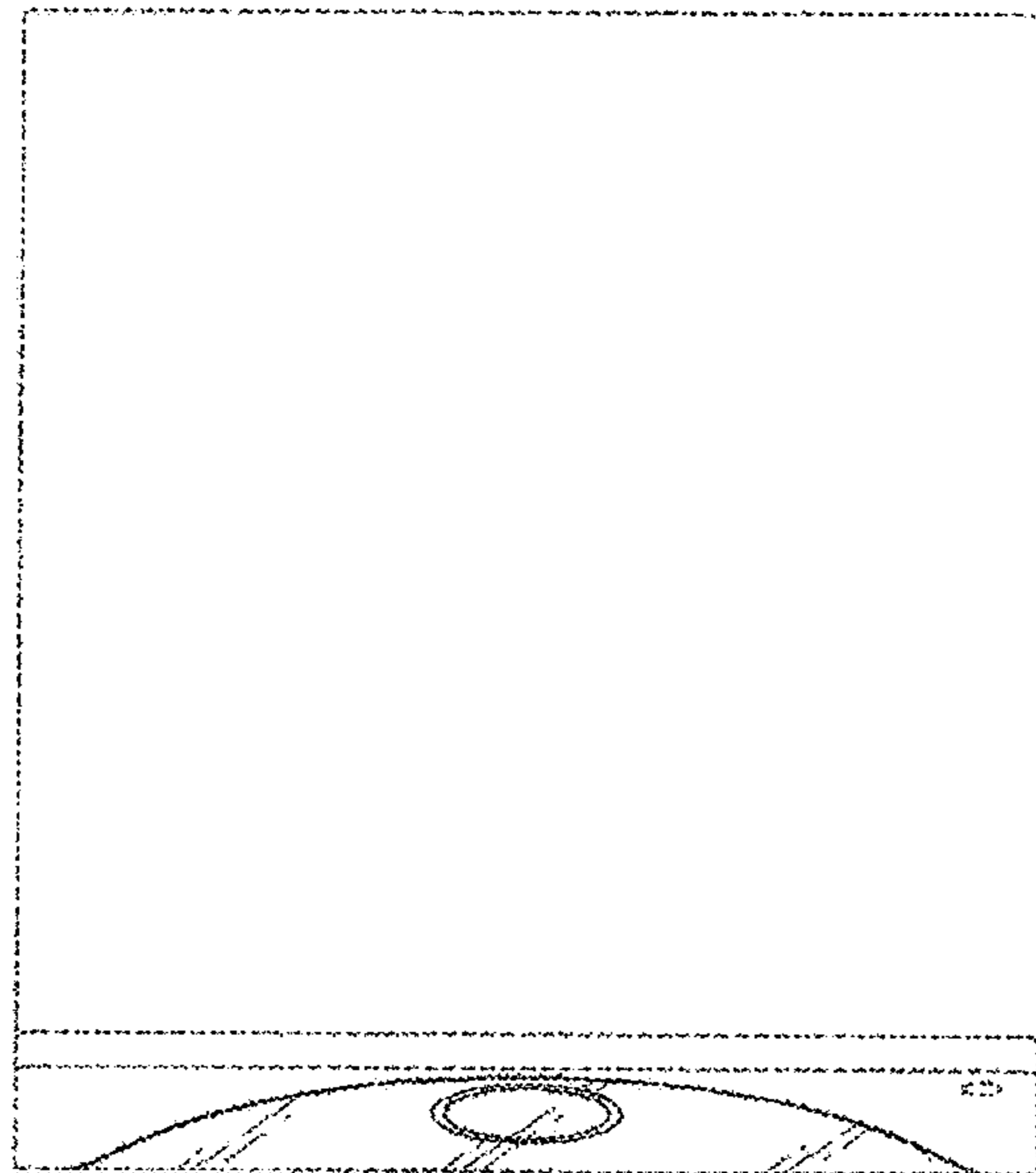


FIG. 7

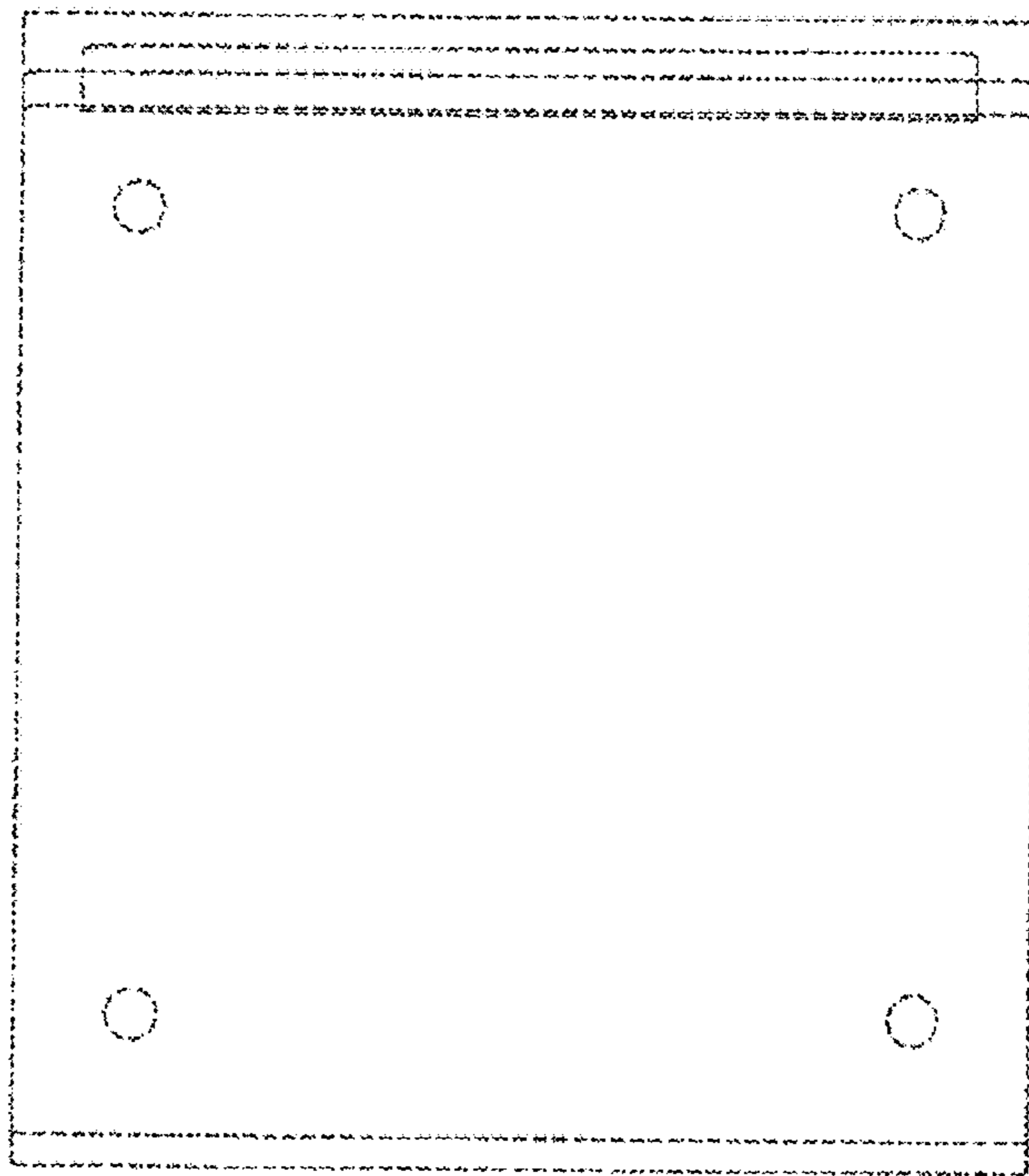


FIG. 8

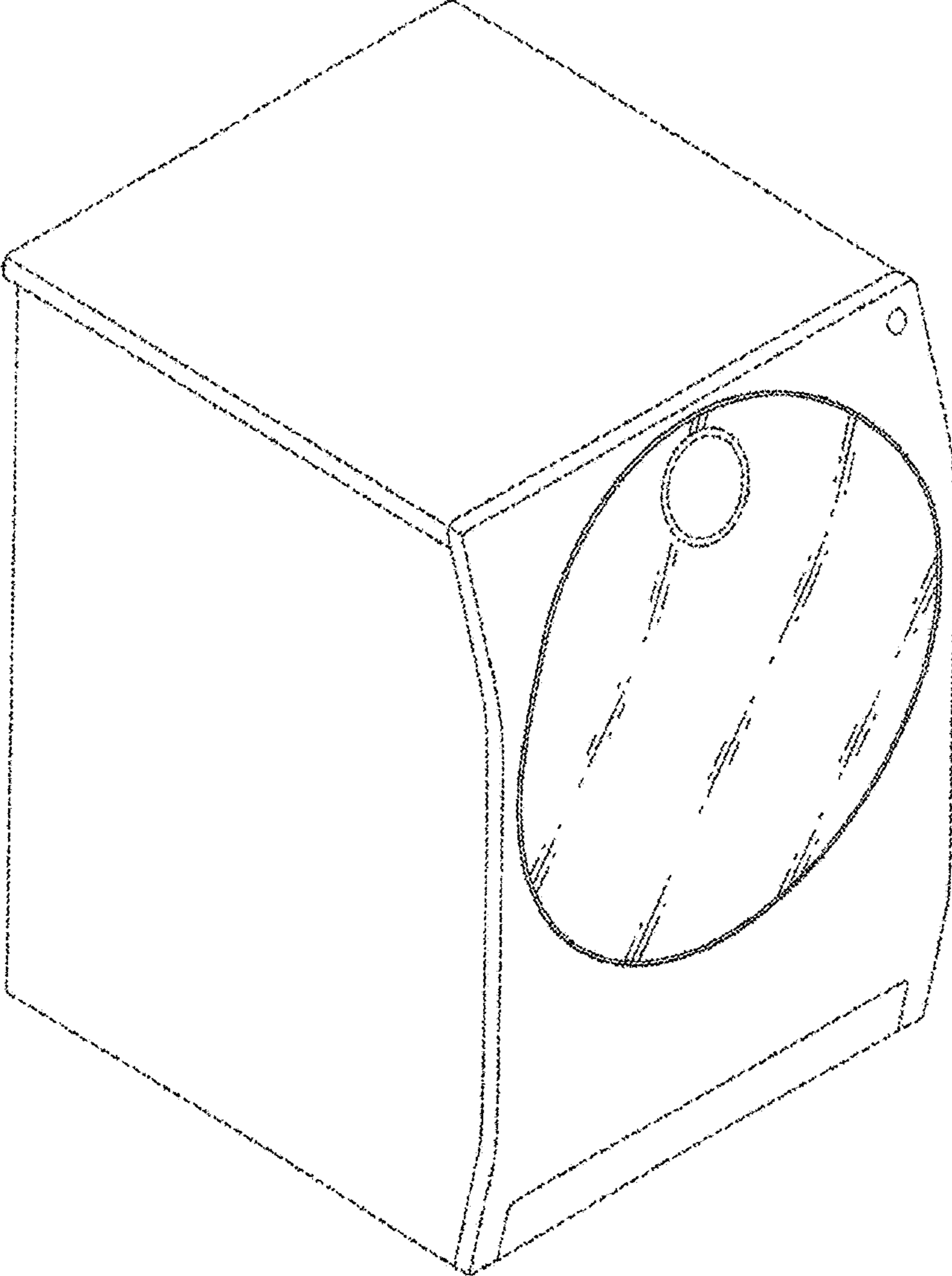


FIG. 9

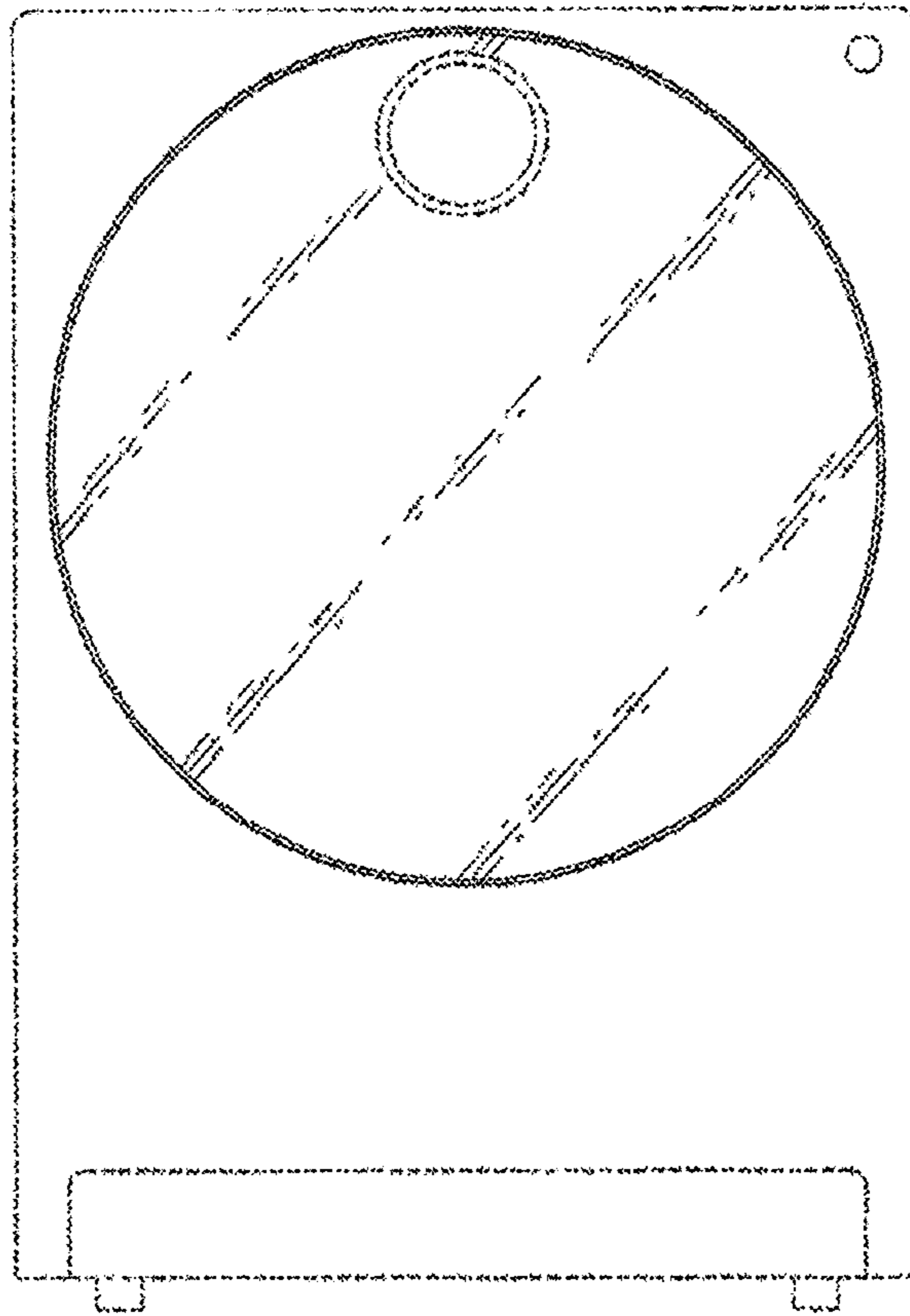


FIG.10

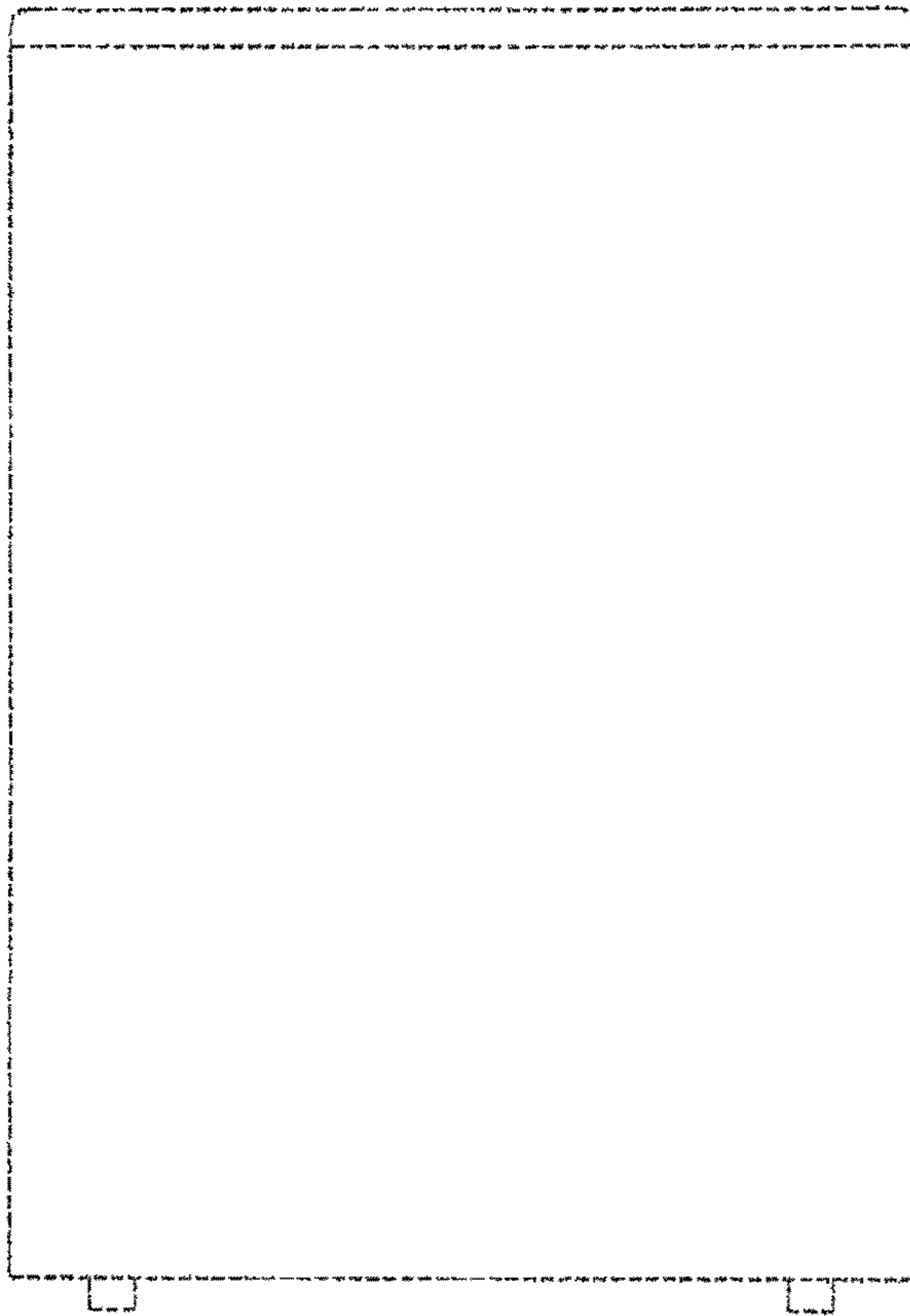


FIG.11

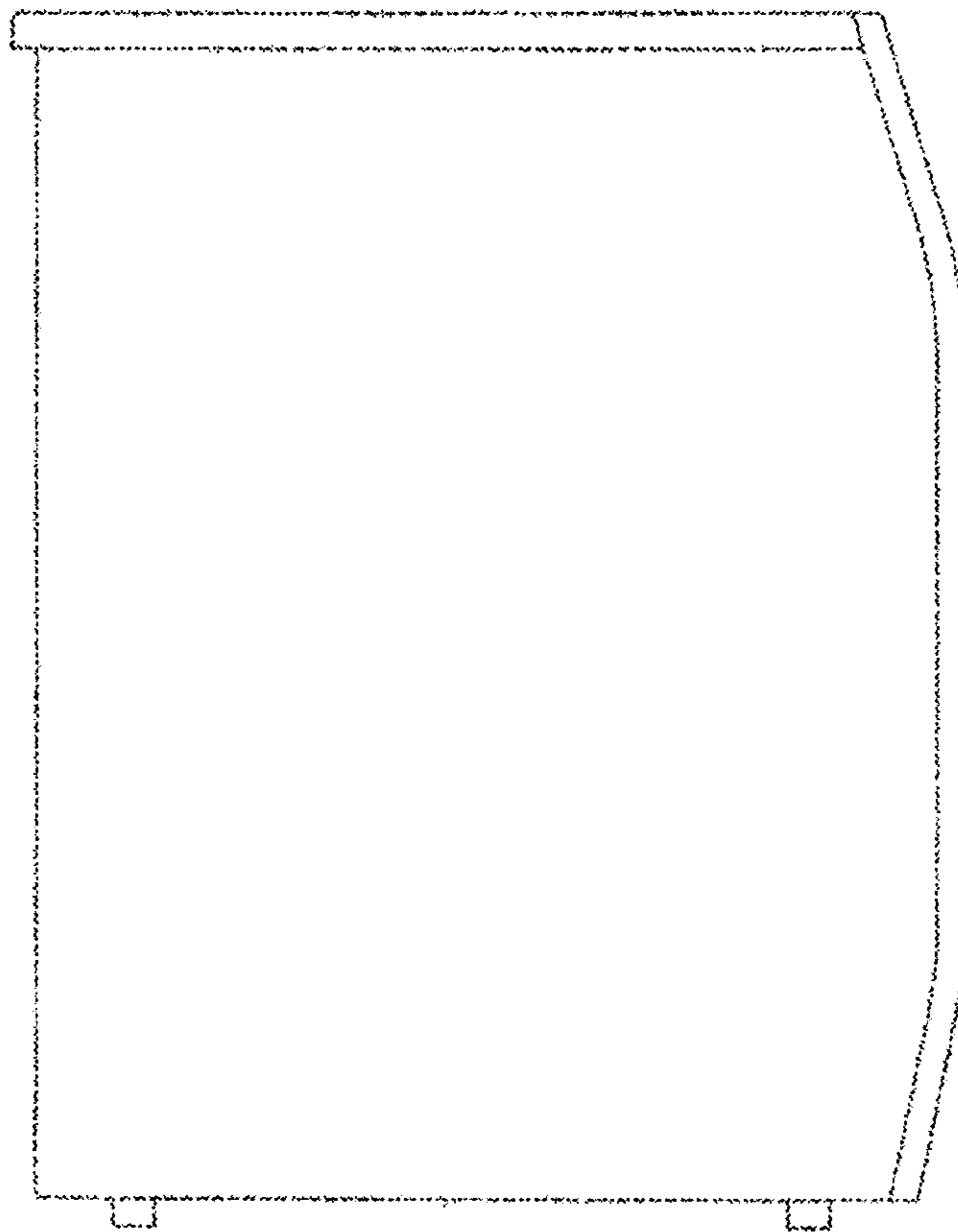


FIG.12

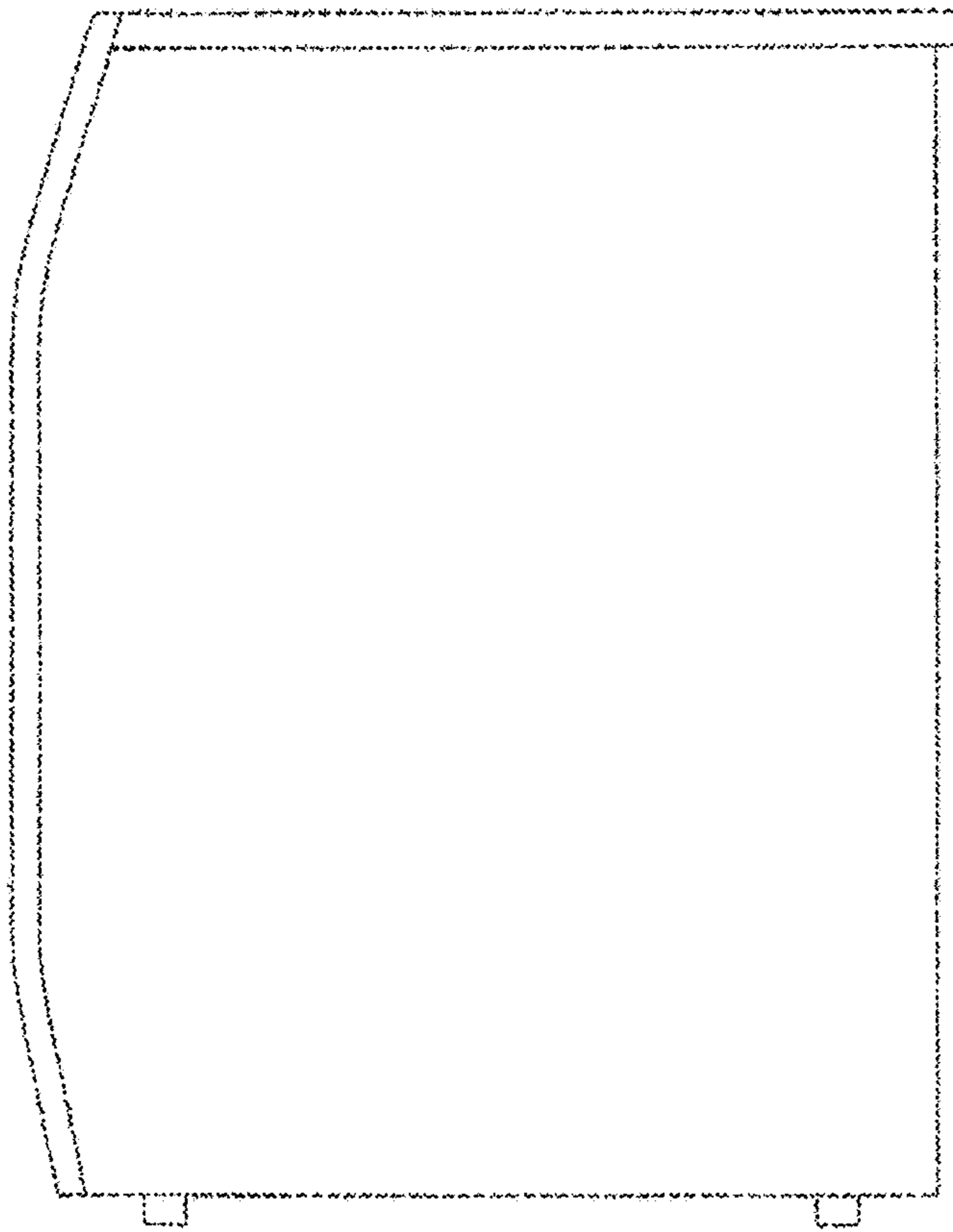


FIG.13

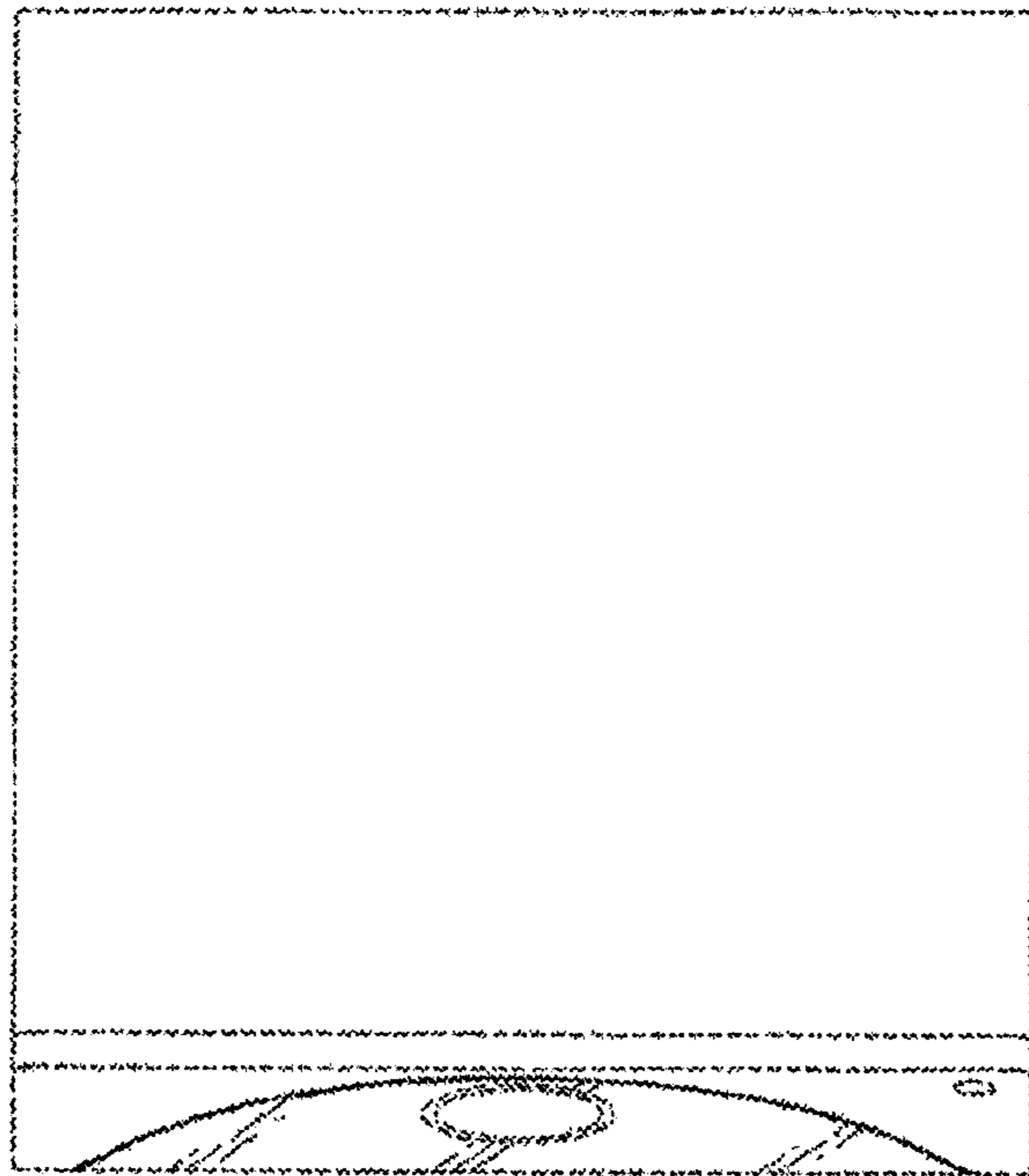
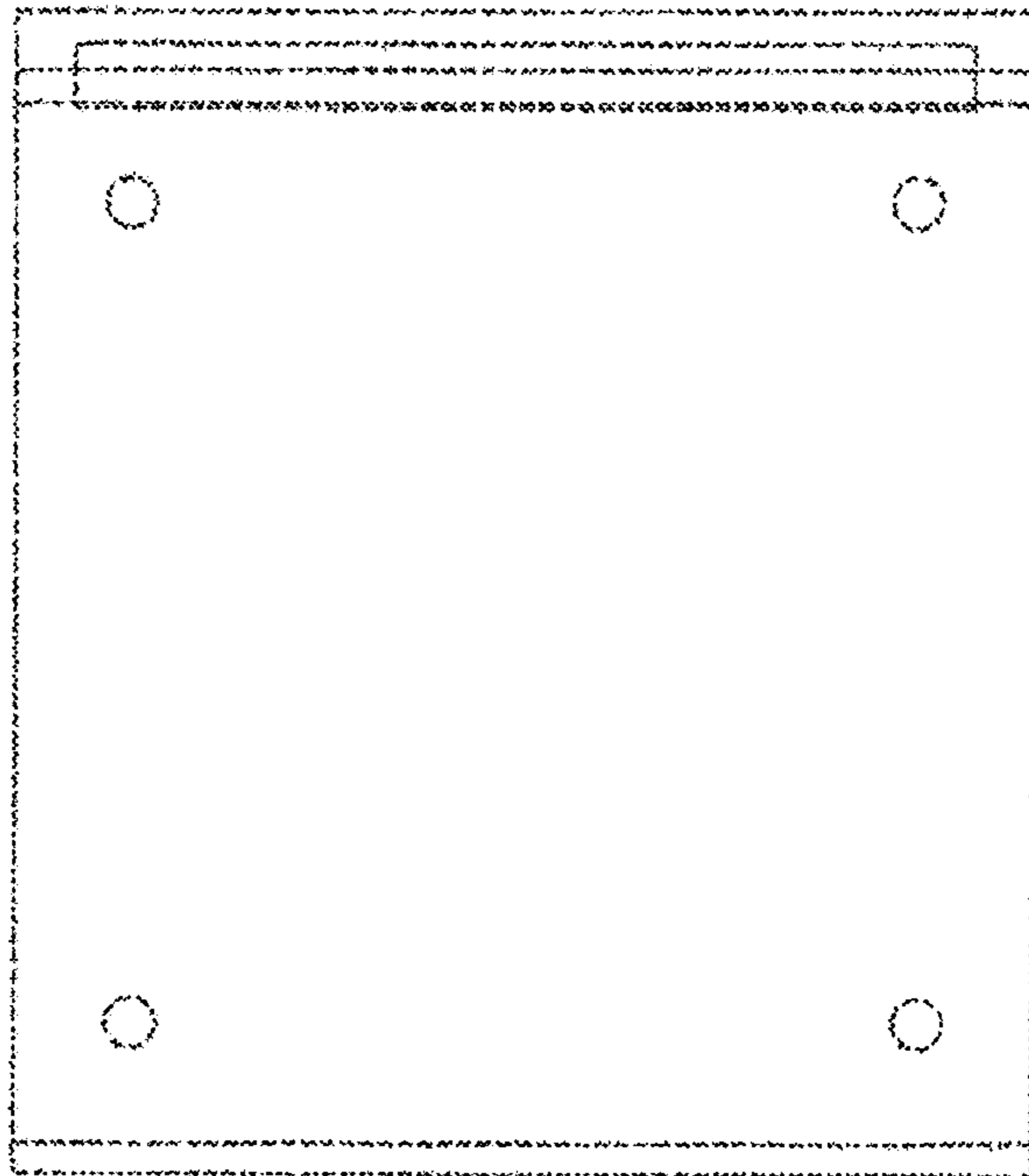


FIG.14



UNITED STATES PATENT AND TRADEMARK OFFICE
CERTIFICATE OF CORRECTION

PATENT NO. : D838,063 S
APPLICATION NO. : 29/560359
DATED : January 8, 2019
INVENTOR(S) : Youngsoo Ha et al.

Page 1 of 1

It is certified that error appears in the above-identified patent and that said Letters Patent is hereby corrected as shown below:

On the Title Page

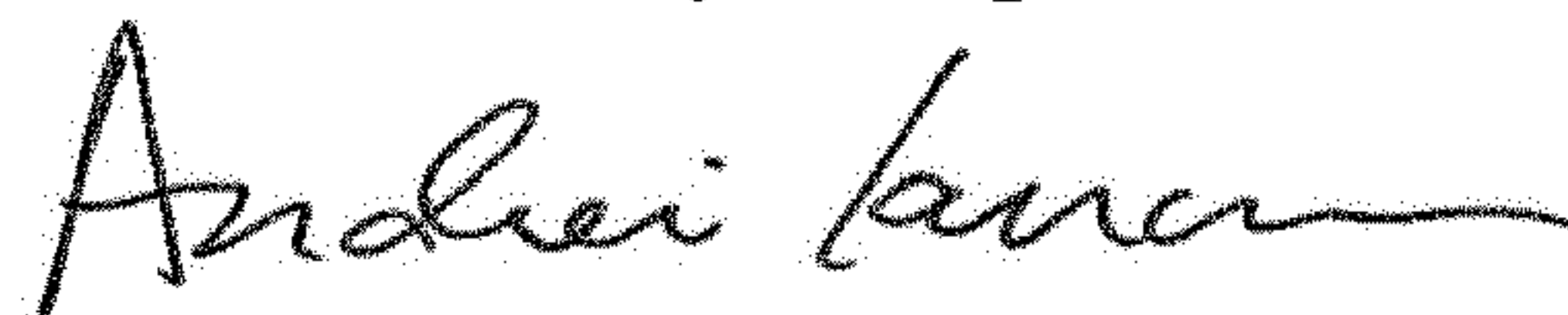
Item (72) should read:

(72) Inventors: Youngsoo Ha, Seoul (KR); Taewoo Yoo, Seoul (KR); Jonghee Han, Seoul (KR); Eunyoung Chee, Seoul (KR); Seungho Oh, Seoul (KR); Jeaseok Seong, Seoul (KR)

Item (30) should read:

(30) Foreign Application Priority Data
March 4, 2015 (KR) 30-2015-0011077

Signed and Sealed this
Second Day of April, 2019



Andrei Iancu
Director of the United States Patent and Trademark Office