



US00D838062S

(12) **United States Design Patent** (10) **Patent No.:** **US D838,062 S**
Lee et al. (45) **Date of Patent:** **** Jan. 8, 2019**

(54) **DISH RACK FOR DISHWASHER**

(71) Applicant: **LG ELECTRONICS INC.**, Seoul (KR)

(72) Inventors: **Junghwan Lee**, Seoul (KR); **Kyungah Lee**, Seoul (KR); **Hyejin Lee**, Seoul (KR)

(73) Assignee: **LG ELECTRONICS INC.**, Seoul (KR)

(**) Term: **15 Years**

(21) Appl. No.: **35/502,174**

(22) Filed: **Jun. 27, 2016**

(80) **Hague Agreement Data**
 Int. Filing Date: **Jun. 27, 2016**
 Int. Reg. No.: **DM/091427**
 Int. Reg. Date: **Jun. 27, 2016**
 Int. Reg. Pub. Date: **Dec. 30, 2016**

D398,092 S * 9/1998 Good D32/3
 D441,149 S * 4/2001 Bournay, Jr. D32/3
 D441,150 S * 4/2001 Bournay, Jr. D32/3
 D473,980 S * 4/2003 Bowser D32/3
 D493,016 S * 7/2004 Kaczmarek D32/3
 D493,580 S * 7/2004 Ott D32/3
 D495,102 S * 8/2004 Kaczmarek D32/3
 D511,403 S * 11/2005 Ott D32/3
 D511,870 S * 11/2005 Paik D32/2
 D512,543 S * 12/2005 Jeong D32/2
 D627,939 S * 11/2010 Kim D32/2
 D643,164 S * 8/2011 Yalcin D32/3
 D677,023 S * 2/2013 Borjesson D32/2
 D682,491 S * 5/2013 Kim D32/2
 D689,248 S * 9/2013 Eng D32/3
 D725,325 S * 3/2015 Lee D32/3
 D725,851 S * 3/2015 Lee D32/3
 D741,556 S * 10/2015 Lee D32/3
 D743,118 S * 11/2015 Lee D32/2
 D750,854 S * 3/2016 Lee D32/3
 D750,855 S * 3/2016 Lee D32/3
 D758,026 S * 5/2016 Choi D32/3

(Continued)

Primary Examiner — Richard E Chilcot
 (74) Attorney, Agent, or Firm — Birch, Stewart, Kolasch & Birch, LLP

(30) **Foreign Application Priority Data**
 Dec. 31, 2015 (KR) 30-2015-0067613

(51) **LOC (11) Cl.** **15-05**

(52) **U.S. Cl.**
 USPC **D32/3**

(58) **Field of Classification Search**
 USPC D32/2, 3, 6, 28; D7/304, 339–441;
 D13/162, 177; D14/486, 489
 CPC A47L 15/00; A47L 15/02
 See application file for complete search history.

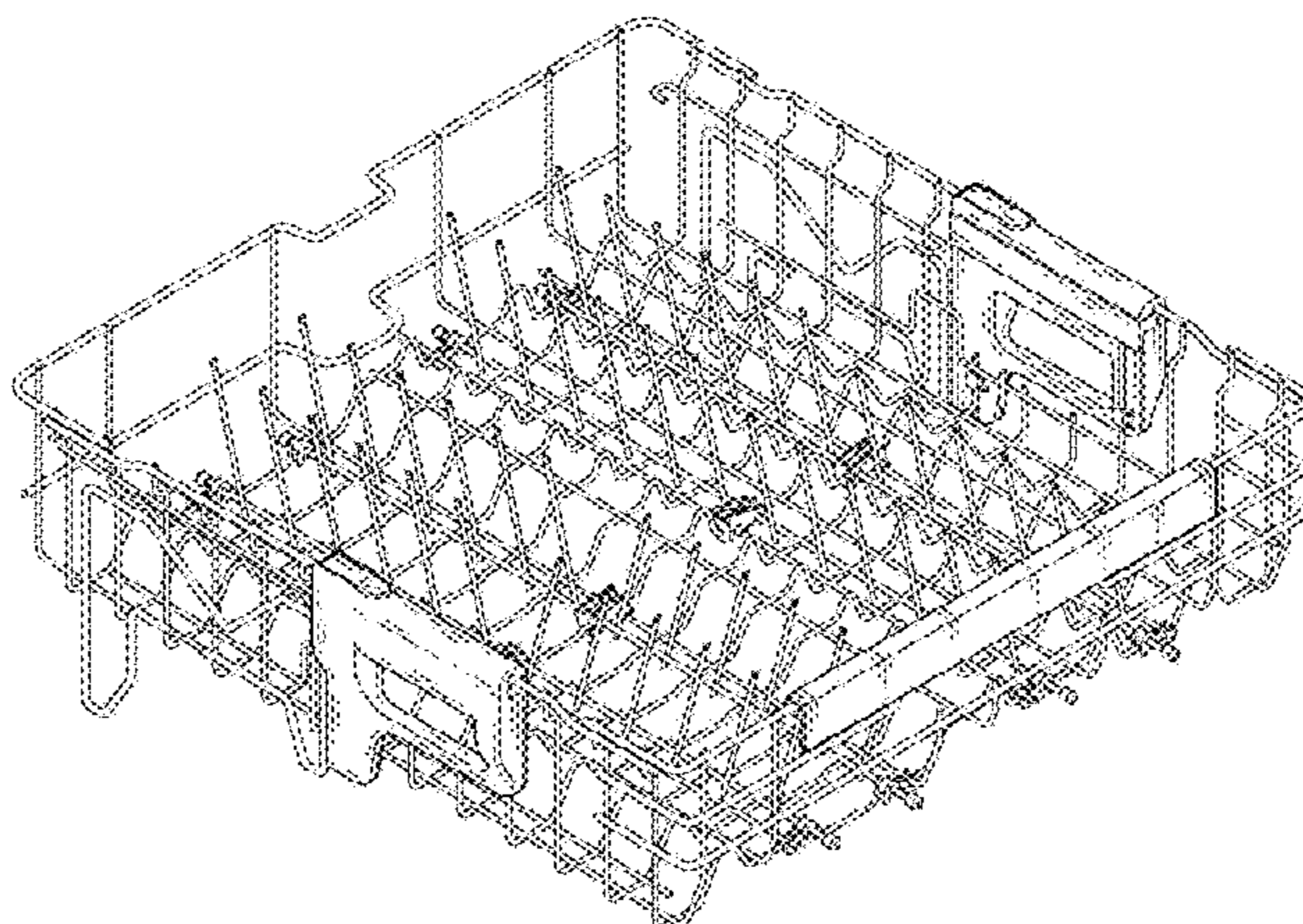
(56) **References Cited**
 U.S. PATENT DOCUMENTS
 D383,879 S * 9/1997 Good D32/3
 D383,880 S * 9/1997 Good D32/3
 D393,505 S * 4/1998 Good D32/3

(57) **CLAIM**
 The ornamental design for a dish rack for dishwasher, as shown and described.

DESCRIPTION

1. Dish rack for dishwasher
 1.1 is a perspective view of a dish rack for dishwasher, showing our new design;
 1.2 is a front elevation view thereof;
 1.3 is a rear elevation view thereof;
 1.4 is a left-side elevation view thereof;
 1.5 is a right-side elevation view thereof;
 1.6 is a top plan view thereof;
 1.7 is a bottom plan view thereof; and
 1.8 is a perspective view thereof, in a use condition.

1 Claim, 8 Drawing Sheets



(56)

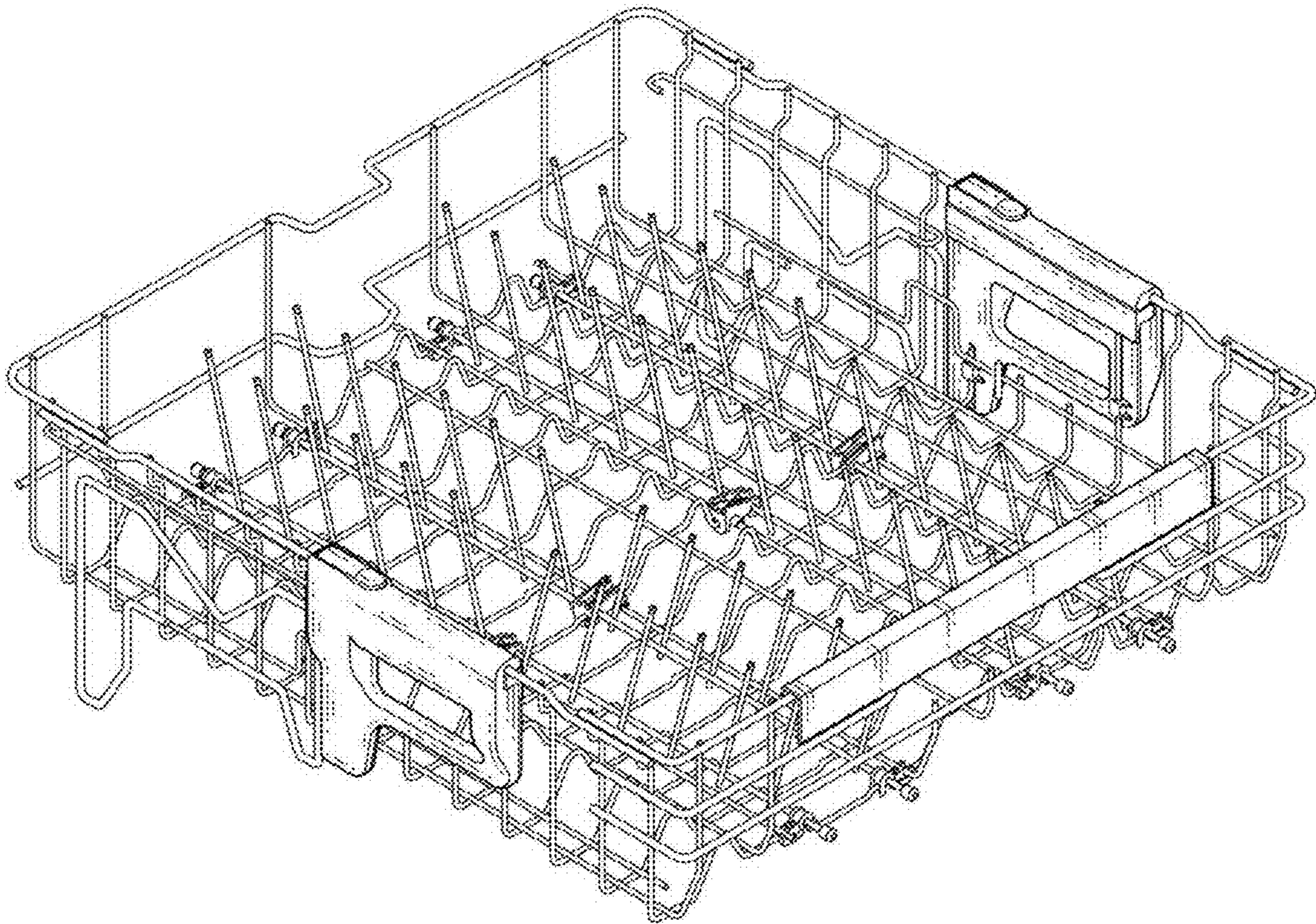
References Cited

U.S. PATENT DOCUMENTS

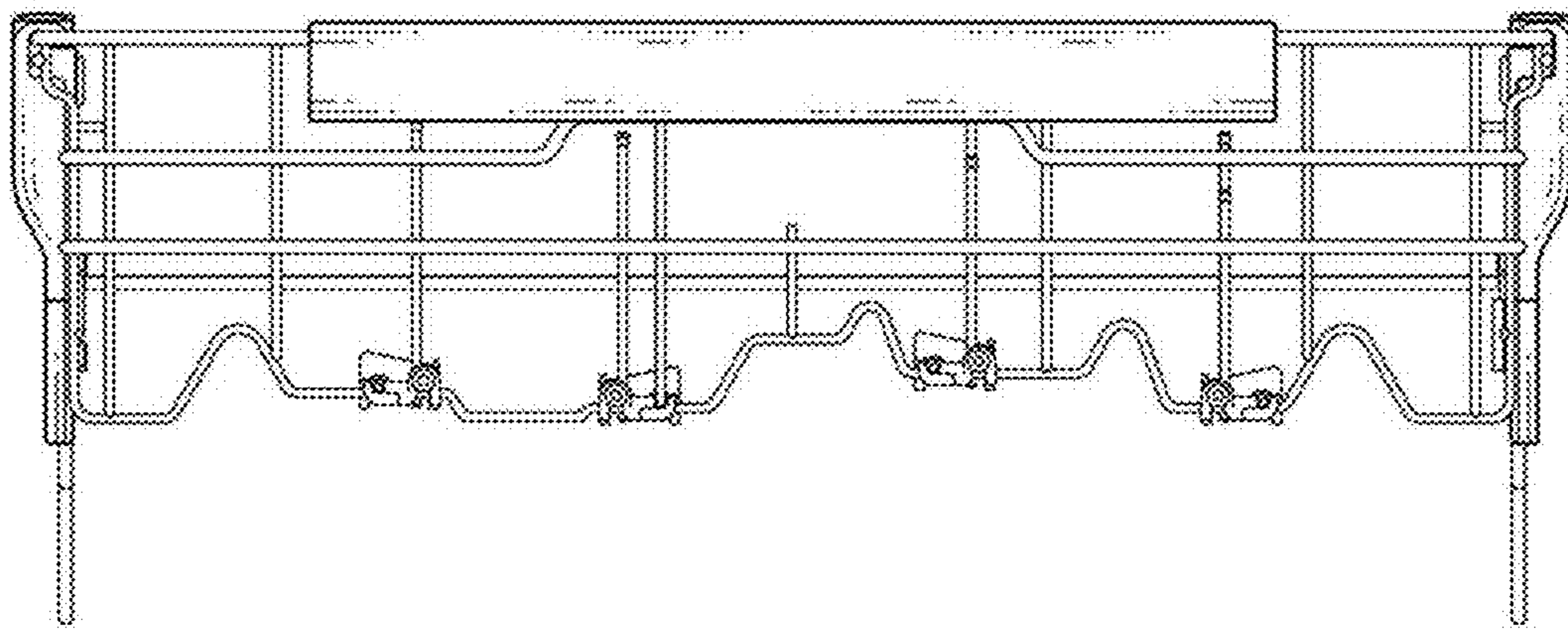
D760,452 S *	6/2016	Roberson	D32/2
D761,500 S *	7/2016	Feddema	D32/3
D762,019 S *	7/2016	Ferencevich	D32/3
D773,751 S *	12/2016	Hederstierna	D32/3
D775,770 S *	1/2017	Yoon	D32/2
D778,008 S *	1/2017	Roberson	D32/3
D798,509 S *	9/2017	Fuller	D32/3
D799,763 S *	10/2017	Haft	D32/3
D799,764 S *	10/2017	Haft	D32/3
D800,974 S *	10/2017	Cadamuro	D32/2
D800,975 S *	10/2017	Cadamuro	D32/2
D801,600 S *	10/2017	Kim	D32/2
D801,601 S *	10/2017	Kim	D32/3
D802,230 S *	11/2017	Shoemaker	D32/2

* cited by examiner

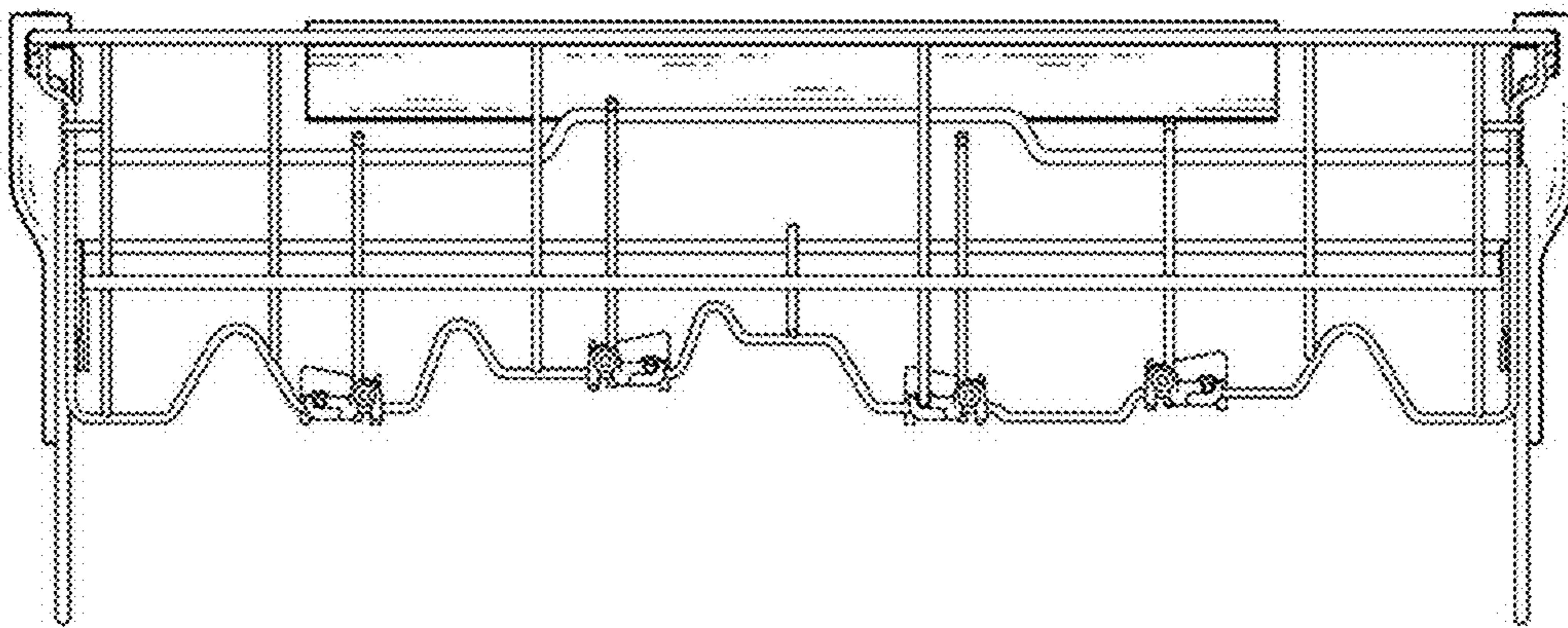
1.1



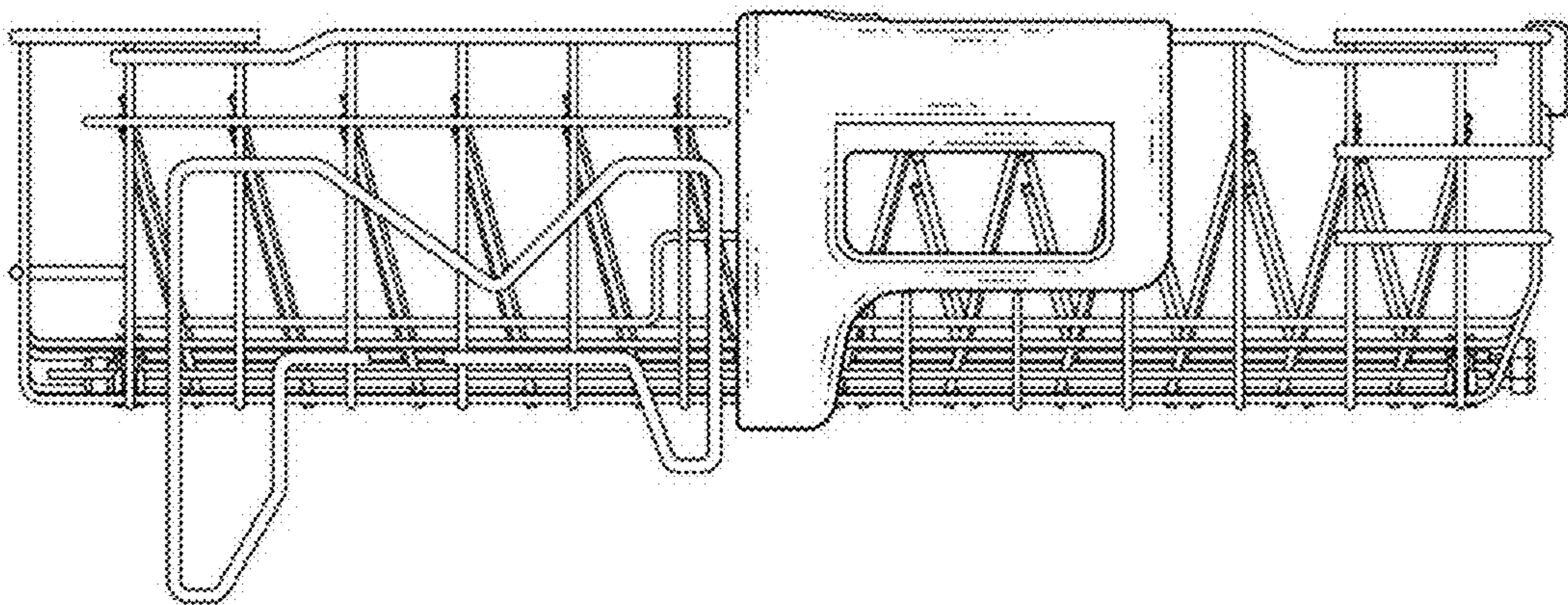
1.2



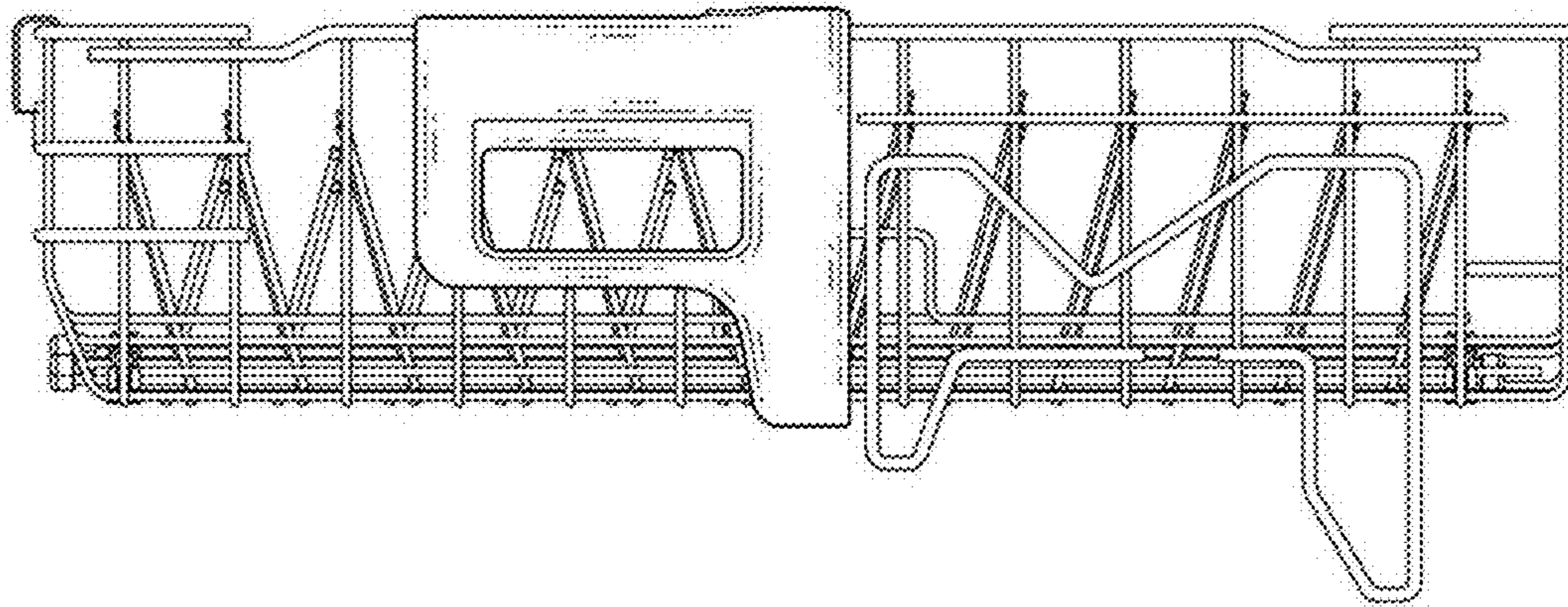
1.3



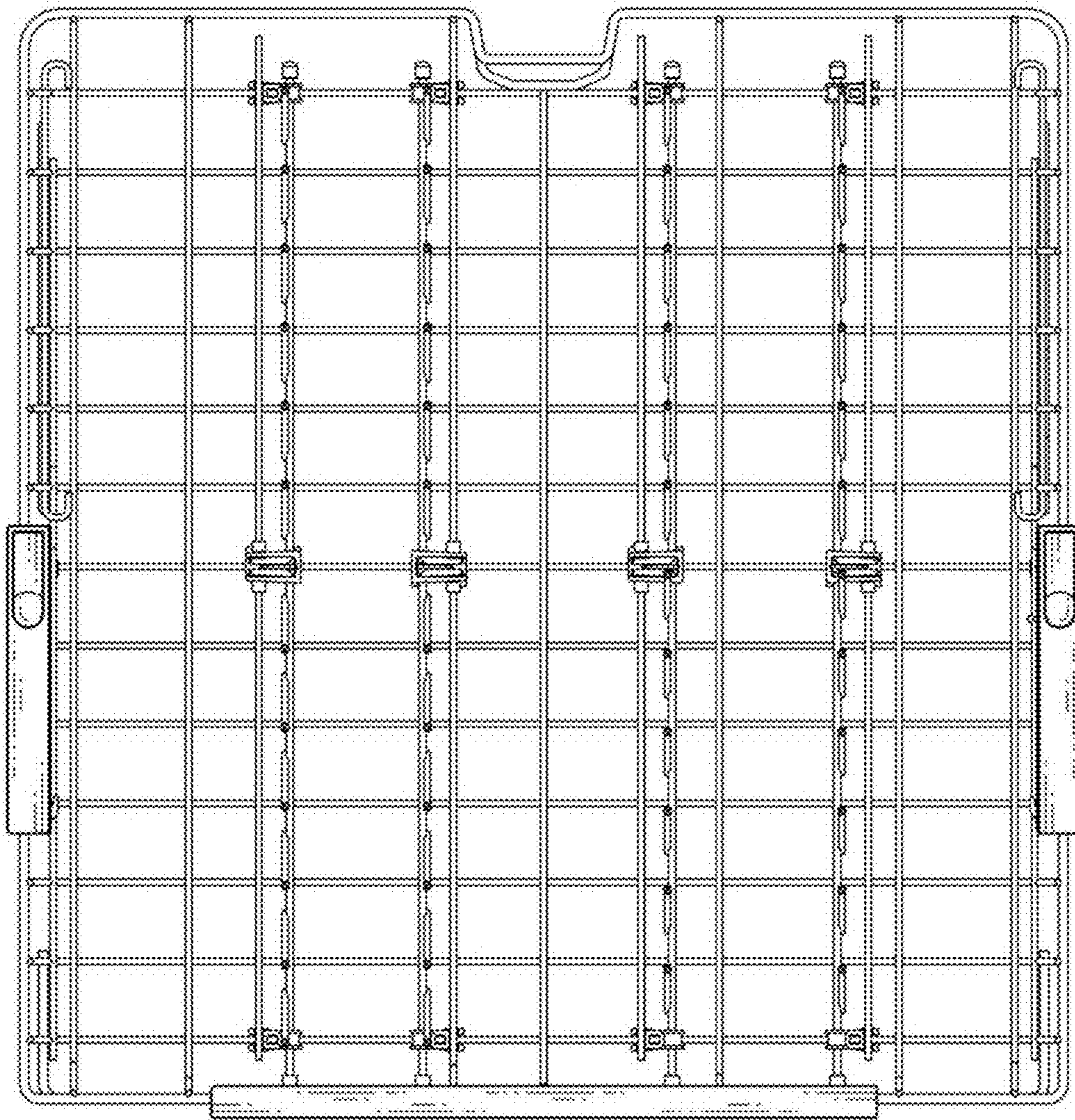
1.4



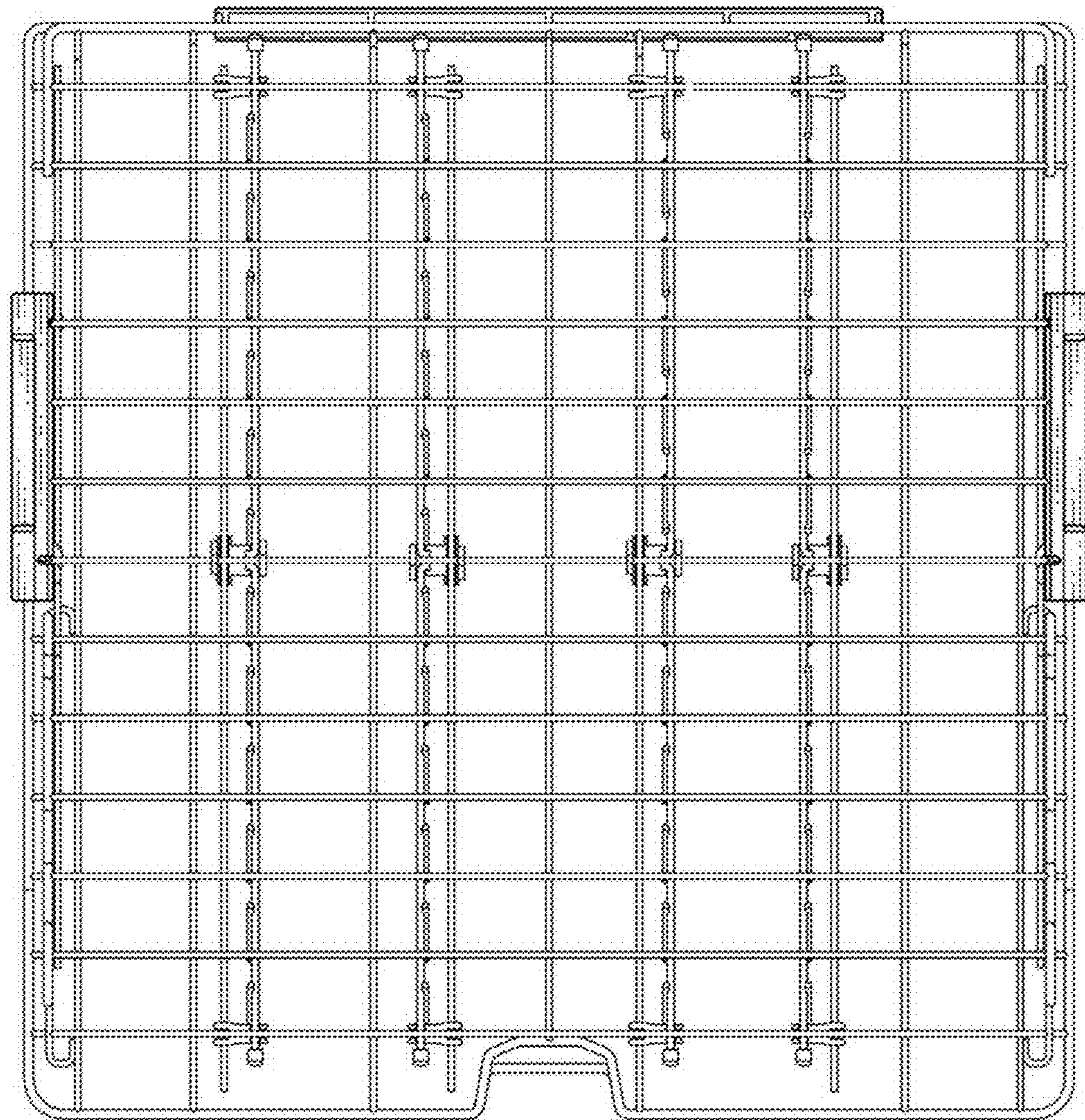
1.5



1.6



1.7



1.8

