



US00D838061S

(12) **United States Design Patent** (10) **Patent No.:** **US D838,061 S**
Wu (45) **Date of Patent:** **** Jan. 8, 2019**

(54) **PET HAIR BLOWING AND SUCKING NURSING MACHINE**

A45D 20/16; A45D 1/04; A45D 2001/045; F26B 21/00; F26B 21/001; F26B 21/002; F26B 21/003; F26B 21/004; F26B 21/006; F26B 3/082; F26B 13/104; F26B 13/108; F26B 19/00; F26B 19/005; F26B 9/003

(71) Applicant: **NINGBO ICLIPPER ELECTRIC APPLIANCE CO., LTD.**, Ningbo (CN)

See application file for complete search history.

(72) Inventor: **Haoze Wu**, Ningbo (CN)

(56) **References Cited**

(73) Assignee: **NINGBO ICLIPPER ELECTRIC APPLIANCE CO., LTD.**, Ningbo (CN)

U.S. PATENT DOCUMENTS

(**) Term: **15 Years**

D33,500 S *	11/1900	Clark	D23/225
1,316,442 A *	9/1919	Goughnour	A47L 5/365
				15/327.6
1,674,515 A *	6/1928	Johnson	A01M 7/0092
				222/386.5
1,763,236 A *	6/1930	Hahn, Jr.	E03C 1/046
				239/310
1,908,834 A *	5/1933	Engberg	A47L 9/322
				15/246.2
2,130,325 A *	9/1938	Pardee	A47L 5/30
				15/179
D111,994 S *	11/1938	Ramsay	D22/119

(21) Appl. No.: **29/610,494**

(22) Filed: **Jul. 12, 2017**

(51) **LOC (11) Cl.** **30-99**

(52) **U.S. Cl.**
USPC **D30/158; D30/199**

(58) **Field of Classification Search**
USPC D30/158, 199; 119/606, 600, 601-605, 119/608, 609, 650, 651, 665, 668-678, 119/174, 448; D28/12-18, 25, 23, 21, D28/30, 58, 54.1, 99; D23/382, 383, D23/387, 223, 225; D32/1, 15, 16, 23, D32/24, 35; 34/202, 201, 203-232, 666, 34/241, 242, 90, 93, 114, 595, 143, 95.1, 34/95.2, 96-98, 102, 105, 108, 113, 682, 34/585, 636, 239, 523, 128, 129; 43/124-130; 392/304, 379-384, 392/400-405; 219/240-242, 774, 778, 219/200, 201, 222, 225, 226, 255, 219/257-259, 267, 268, 385, 386, 428, 219/429, 433-436, 469, 470, 537, 538, 219/552, 553; 15/327.5, 344; 415/206; 604/315; D15/5

CPC A01K 13/00; A01K 13/001; A01K 13/003; A61D 7/00; A61D 7/04; A61D 11/00; A45D 20/00; A45D 20/04; A45D 20/08; A45D 20/10; A45D 20/12; A45D 20/14;

(Continued)

Primary Examiner — Susan Moon Lee
(74) *Attorney, Agent, or Firm* — Wayne & King LLC

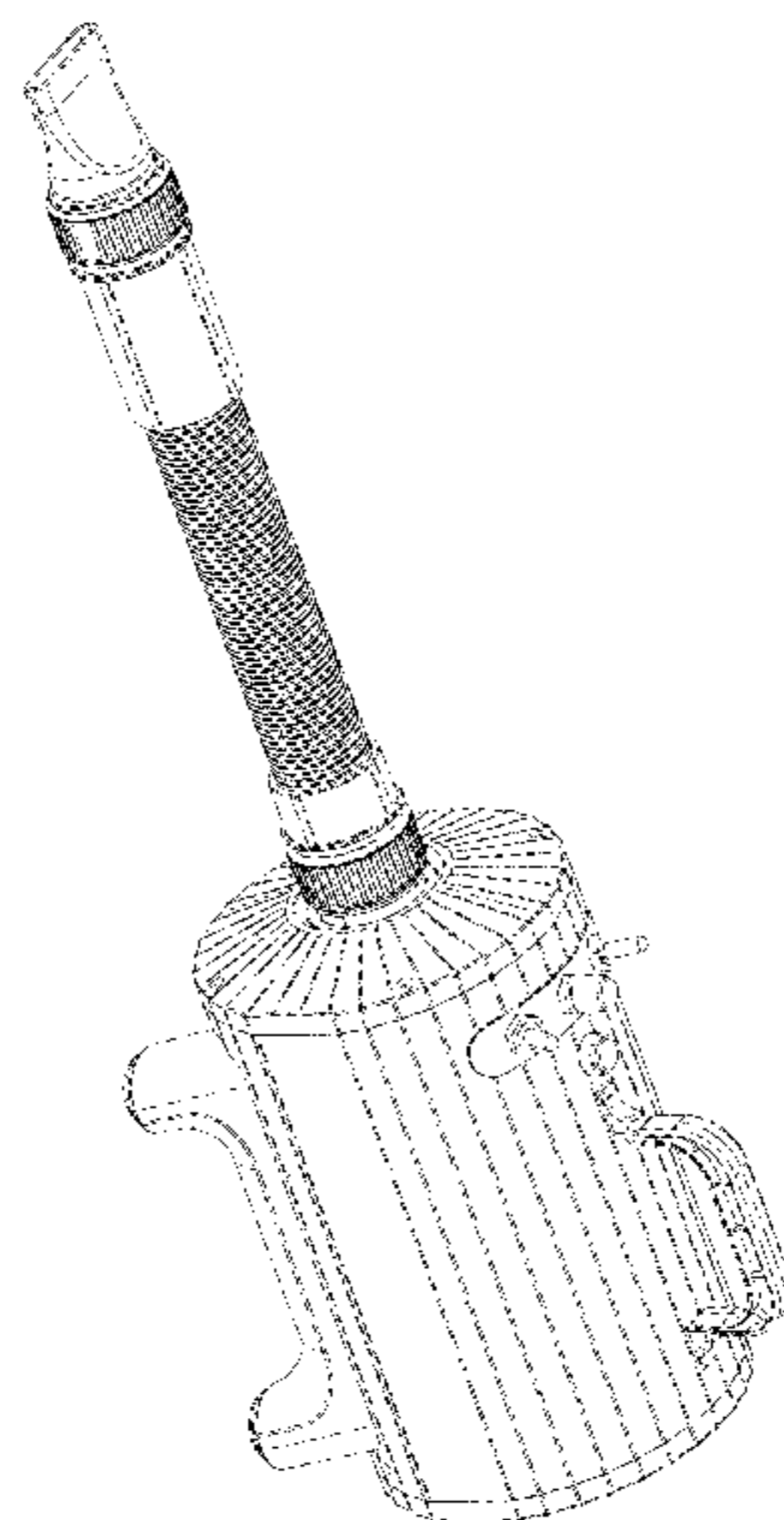
(57) **CLAIM**

The ornamental design for pet hair blowing and sucking nursing machine, as shown and described.

DESCRIPTION

FIG. 1 is a perspective view of my new design for a pet hair blowing and sucking nursing machine;
FIG. 2 is a front view thereof;
FIG. 3 is a back view thereof;
FIG. 4 is a left side view thereof;
FIG. 5 is a right side view thereof;
FIG. 6 is a top plan view thereof; and,
FIG. 7 is a bottom plan view thereof.

1 Claim, 7 Drawing Sheets



(56)

References Cited

U.S. PATENT DOCUMENTS

D114,067 S *	4/1939	Hettinger	D23/225	4,244,349 A *	1/1981	Velie	F24H 9/1881
2,201,080 A *	5/1940	Clark	B60S 3/044					126/110 C
				134/102.1	4,443,187 A *	4/1984	Shaftner	F24H 3/0488
2,232,906 A *	2/1941	Ernolf	A47L 5/362					126/110 B
				15/330	D275,542 S *	9/1984	Hacke	D7/300.2
D128,476 S *	7/1941	Berlin	D10/119.2	4,511,787 A *	4/1985	Sibert	F24H 3/002
D132,815 S *	6/1942	Stevens	D32/21					392/355
2,291,353 A *	7/1942	Seyfried	A47L 9/26	4,532,914 A *	8/1985	Thomas	F23D 11/40
				15/323					126/110 B
D135,577 S *	4/1943	Holthouse	126/110 B	D292,133 S *	9/1987	Proctor	D15/13
2,319,194 A *	5/1943	Youhouse	H02K 1/32	4,718,375 A *	1/1988	Krieger	A01K 13/008
				173/75					119/678
2,353,247 A *	7/1944	Kuettel	F24H 3/0417	D305,464 S *	1/1990	Rickard	D28/12
				392/368	D307,628 S *	5/1990	Ballu	D23/225
2,395,430 A *	2/1946	Sloan	A47L 5/26	D309,049 S *	7/1990	Sid	D30/158
				15/344	D312,297 S *	11/1990	Ballu	D23/225
D150,177 S *	7/1948	Vose	D32/17	4,977,690 A *	12/1990	Davis, Jr.	F26B 21/001
D151,293 S *	10/1948	Stagner	D23/225					119/606
D152,841 S *	2/1949	Thompson et al.	D23/336	D314,258 S *	1/1991	Campbell, Sr.	D32/17
D153,542 S *	4/1949	Owens et al.	416/247 R	D315,597 S *	3/1991	Botheras	D23/332
D155,475 S *	10/1949	Berndt	D28/13	D318,106 S *	7/1991	Arold	D23/314
D155,504 S *	10/1949	Gustafsson et al.	D23/225	D318,326 S *	7/1991	Arold	D23/314
2,496,232 A *	1/1950	Potter	A45D 20/44	D319,694 S *	9/1991	Wortham	D23/336
				248/185.1	5,050,266 A *	9/1991	Schneider	A47L 9/0072
D159,615 S *	8/1950	Hession, Jr.	D13/112					15/330
D161,710 S *	1/1951	Rich	D23/225	D320,680 S *	10/1991	Stetson	15/104.001
D163,147 S *	5/1951	Smith	D23/225	D324,722 S *	3/1992	Nordeen	D23/225
2,552,470 A *	5/1951	Wahlberg	F24H 3/0417	D330,756 S *	11/1992	Davies, III	D23/338
				392/368	D340,765 S *	10/1993	Joss	D23/332
D164,613 S *	9/1951	Wahlberg et al.	D23/336	D341,417 S *	11/1993	Wortham	D23/332
D165,307 S *	11/1951	Sharp	280/839	D347,261 S *	5/1994	Berfield	D23/225
2,589,595 A *	3/1952	Aske	A01C 23/042	D347,683 S *	6/1994	Chiu	D23/332
				137/268	D354,689 S *	1/1995	Figard	401/195
2,597,215 A *	5/1952	Wright	A45D 20/44	D355,284 S *	2/1995	Stump	D23/213
				15/339	5,555,643 A *	9/1996	Guasch	E04B 1/7092
2,693,001 A *	11/1954	Vance	A47L 9/26					15/405
				15/323	5,586,358 A *	12/1996	Wolfe	A47L 5/26
2,713,627 A *	7/1955	Kamataris	A45D 20/10					15/334
				34/97	D385,819 S *	11/1997	Chen	D10/119.3
2,767,904 A *	10/1956	Doyle	A47L 5/12	D388,561 S *	12/1997	Tuggle	D32/15
				310/157	5,709,793 A *	1/1998	Kisner	E04H 4/1281
D180,962 S *	9/1957	Sherman	432/30					210/167.11
2,839,657 A *	6/1958	Mast	F24H 3/0417	5,813,088 A *	9/1998	Wagner	A47L 5/36
				200/61.52					15/327.5
D191,404 S *	9/1961	Hudson	D23/225	5,848,585 A *	12/1998	Long	F24H 3/0488
3,052,987 A *	9/1962	Mercer	B22C 9/12					126/110 B
				34/104	5,926,972 A *	7/1999	Di Peso	A01K 13/001
3,092,095 A *	6/1963	Hottenroth	B60H 1/2212					34/128
				126/110 R	D421,296 S *	2/2000	Kemp	D23/314
D195,977 S *	8/1963	Halaby	D23/225	6,033,560 A *	3/2000	Kisner	E04H 4/1281
3,261,107 A *	7/1966	Poncdek	A45D 20/10					210/167.11
				15/315	D427,388 S *	6/2000	Sullivan	D30/158
D211,751 S *	7/1968	Richards	D32/18	D427,393 S *	6/2000	Bunch	D32/8
3,393,903 A *	7/1968	Berglund, Jr.	F24H 3/0488	D447,840 S *	9/2001	Alveby	D30/199
				432/223	6,286,228 B1 *	9/2001	Bodnar	B08B 3/026
D212,829 S *	11/1968	Kraines	D32/18					134/123
3,418,452 A *	12/1968	Grabner	A47K 10/48	6,305,325 B1 *	10/2001	Sullivan	A01K 13/001
				34/97					119/600
3,477,087 A *	11/1969	Robinson	A47L 5/24	D452,051 S *	12/2001	Antonio	D32/17
				15/344	D467,323 S *	12/2002	Cho	D23/332
3,650,501 A *	3/1972	Streb	B65D 90/12	D471,331 S *	3/2003	Pan	D32/18
				220/1.5	D475,819 S *	6/2003	Milanese	D32/17
D235,016 S *	4/1975	Avant	D23/225	6,681,760 B2 *	1/2004	Topp	F23D 14/00
D243,455 S *	2/1977	Verini	D23/205					126/110 B
4,011,624 A *	3/1977	Proett	A47L 5/24	6,925,728 B2 *	8/2005	Busa	A45D 20/12
				15/344					34/92
4,081,238 A *	3/1978	Briggs	F24C 5/20	D541,916 S *	5/2007	Noyer	D23/314
				137/544	D545,421 S *	6/2007	Pitchford	D23/332
D253,074 S *	10/1979	Wistrand	D28/16	D563,503 S *	3/2008	Monk	D23/225
D253,452 S *	11/1979	Tack	D32/18	D598,150 S *	8/2009	Bertken	D26/37
D256,273 S *	8/1980	Townsend	D23/336	D625,399 S *	10/2010	Horiguchi	D23/365
D257,904 S *	1/1981	Hamm, Jr.	D28/12	D626,671 S *	11/2010	Bertken	D10/114.9
					7,854,398 B2 *	12/2010	Hahn	B08B 3/026
									239/314
					D639,516 S *	6/2011	Christensen	D30/158
					D642,951 S *	8/2011	Campman	D10/119.3
					D651,057 S *	12/2011	Hartsel	D8/30

(56)

References Cited

U.S. PATENT DOCUMENTS

D663,814 S * 7/2012 Cassell D23/317
 D670,798 S * 11/2012 Cassell D23/317
 8,444,068 B2 * 5/2013 Hahn B05B 9/0426
 138/115
 D692,480 S * 10/2013 Chu D19/123
 D693,068 S * 11/2013 Tan D30/158
 8,631,767 B1 * 1/2014 Sack A01K 13/00
 119/600
 D699,379 S * 2/2014 Wu D26/38
 8,948,577 B2 * 2/2015 Eberli F24H 3/0423
 392/379
 D728,087 S * 4/2015 Zan D23/323
 D743,015 S * 11/2015 Arnold D23/317
 D743,016 S * 11/2015 Arnold D23/317
 D743,074 S * 11/2015 Hwang D26/38
 D792,662 S * 7/2017 Chen D30/158
 D809,100 S * 1/2018 Hong D23/225
 2006/0068622 A1 * 3/2006 Gisler-Reinhard ... F24H 9/1863
 439/108
 2008/0006215 A1 * 1/2008 Denison A01K 13/001
 119/600
 2008/0006216 A1 * 1/2008 Denison A01K 13/001
 119/600

2008/0006217 A1 * 1/2008 Denison A01K 13/001
 119/600
 2008/0006218 A1 * 1/2008 Denison A01K 13/001
 119/600
 2008/0006219 A1 * 1/2008 Denison A01K 13/001
 119/600
 2008/0006220 A1 * 1/2008 Denison A01K 13/001
 119/600
 2008/0006221 A1 * 1/2008 Denison A01K 13/001
 119/600
 2008/0006222 A1 * 1/2008 Denison A01K 13/001
 119/600
 2010/0008655 A1 * 1/2010 Tackitt F24H 3/0423
 392/385
 2010/0031707 A1 * 2/2010 Krebs D06F 75/12
 68/222
 2010/0085738 A1 * 4/2010 Bertken F21L 4/02
 362/157
 2011/0268429 A1 * 11/2011 Vandrak F24H 3/0488
 392/365
 2012/0031347 A1 * 2/2012 Denison A01K 13/001
 119/606
 2017/0049076 A1 * 2/2017 Takla A01K 13/001

* cited by examiner

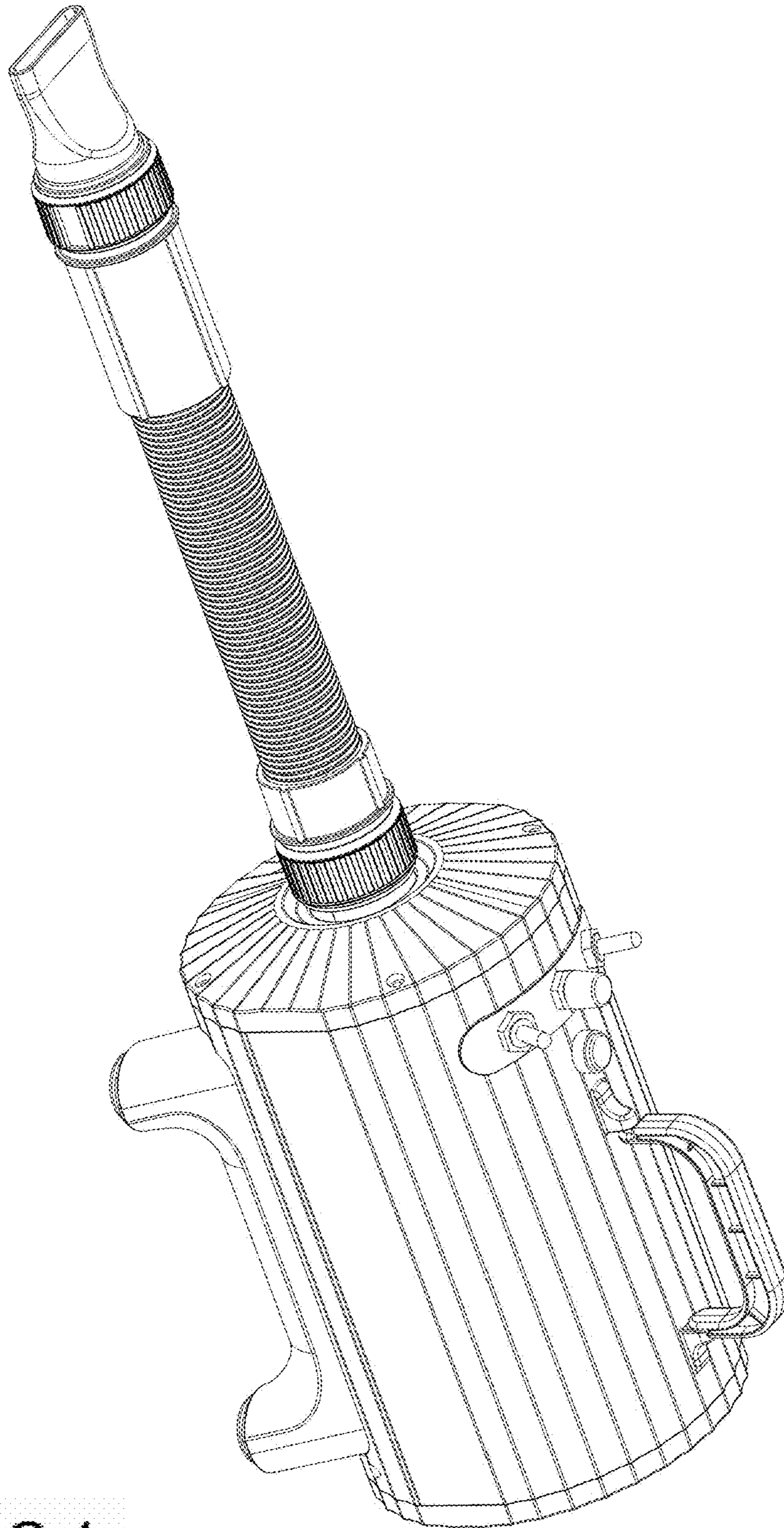


FIG. 1

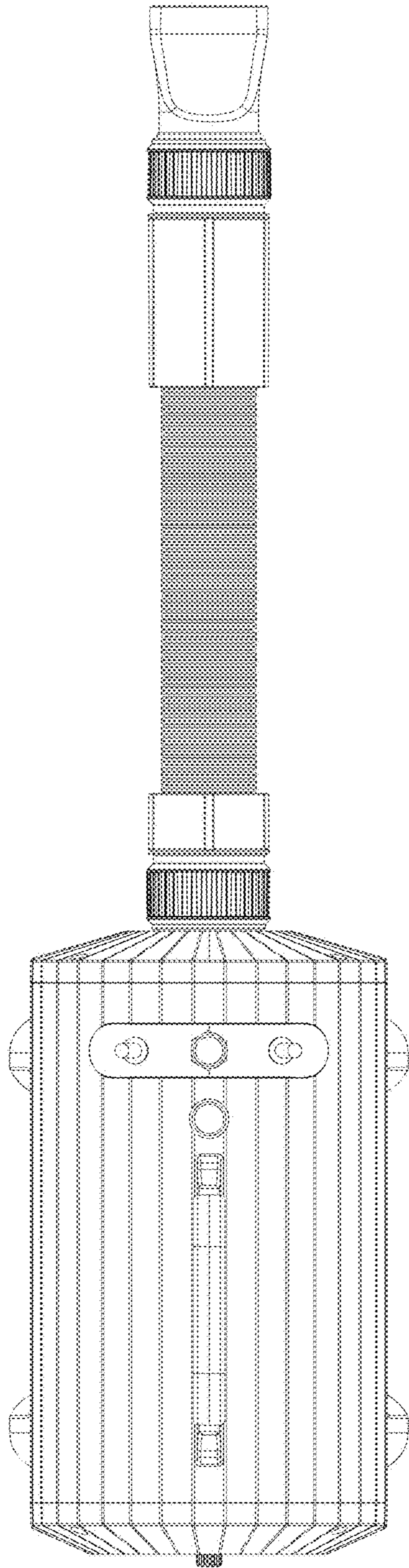


FIG.2

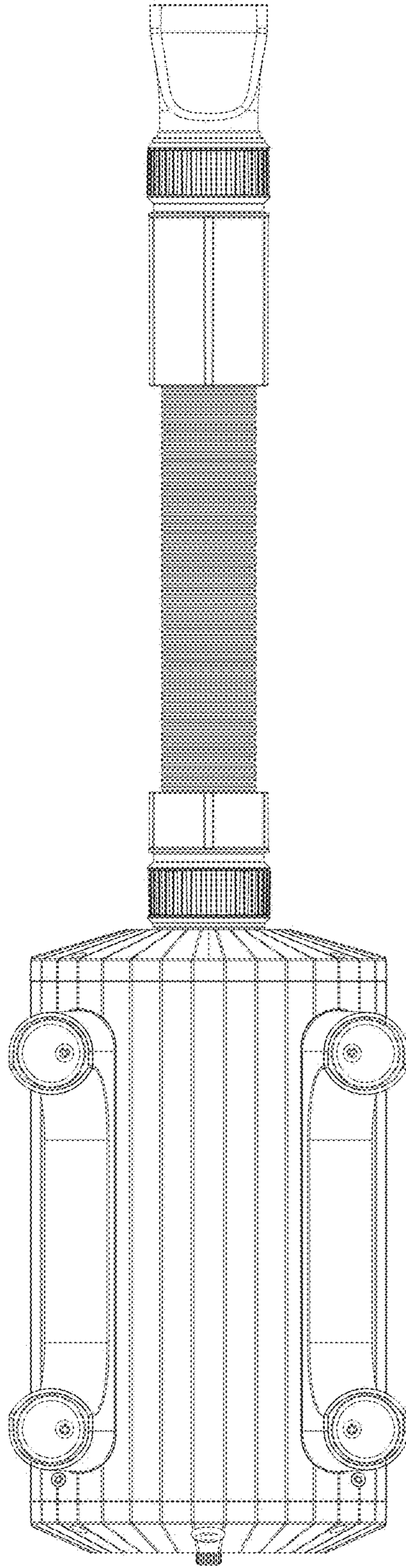


FIG.3

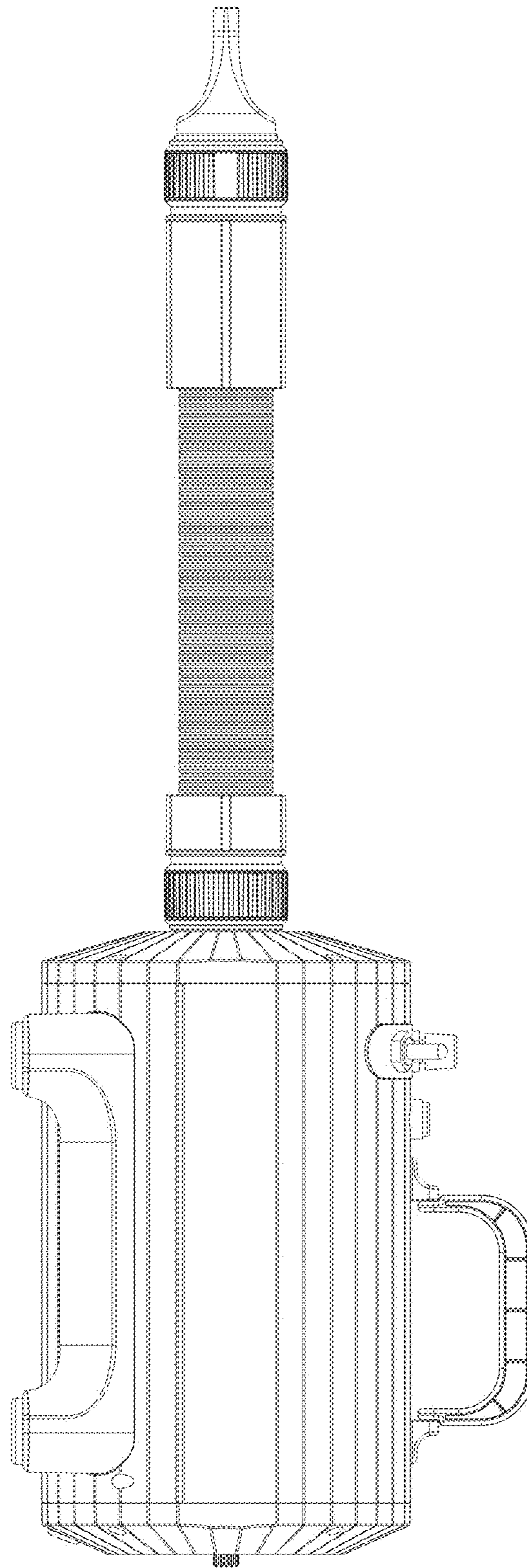


FIG.4

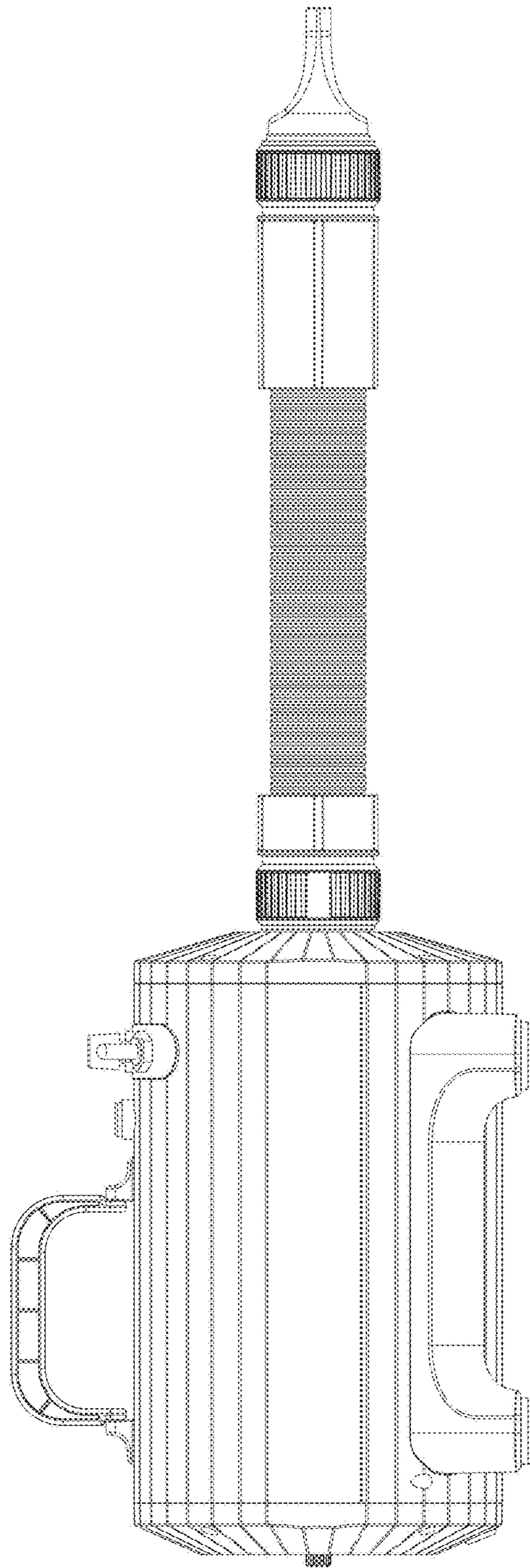


FIG. 5

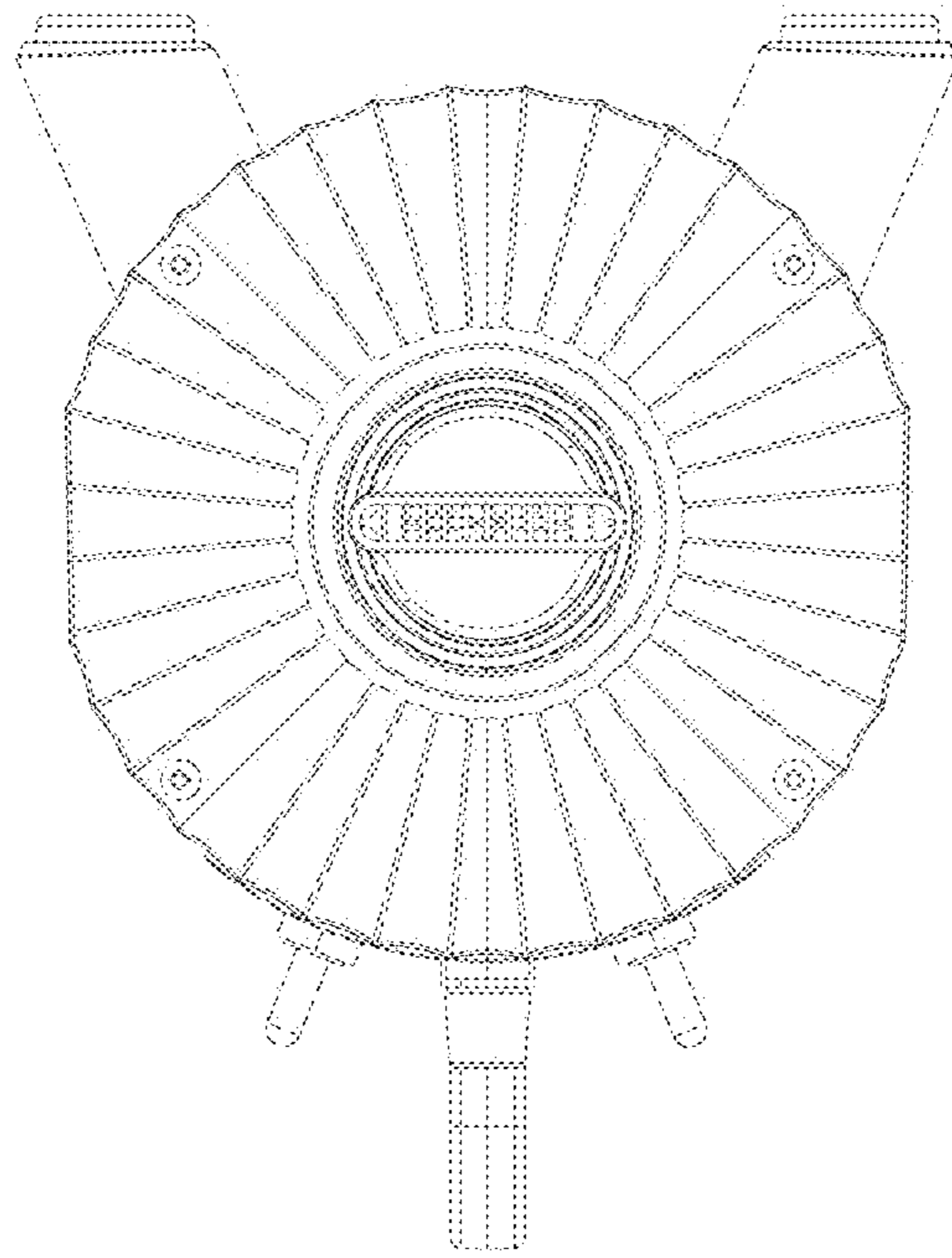


FIG.6

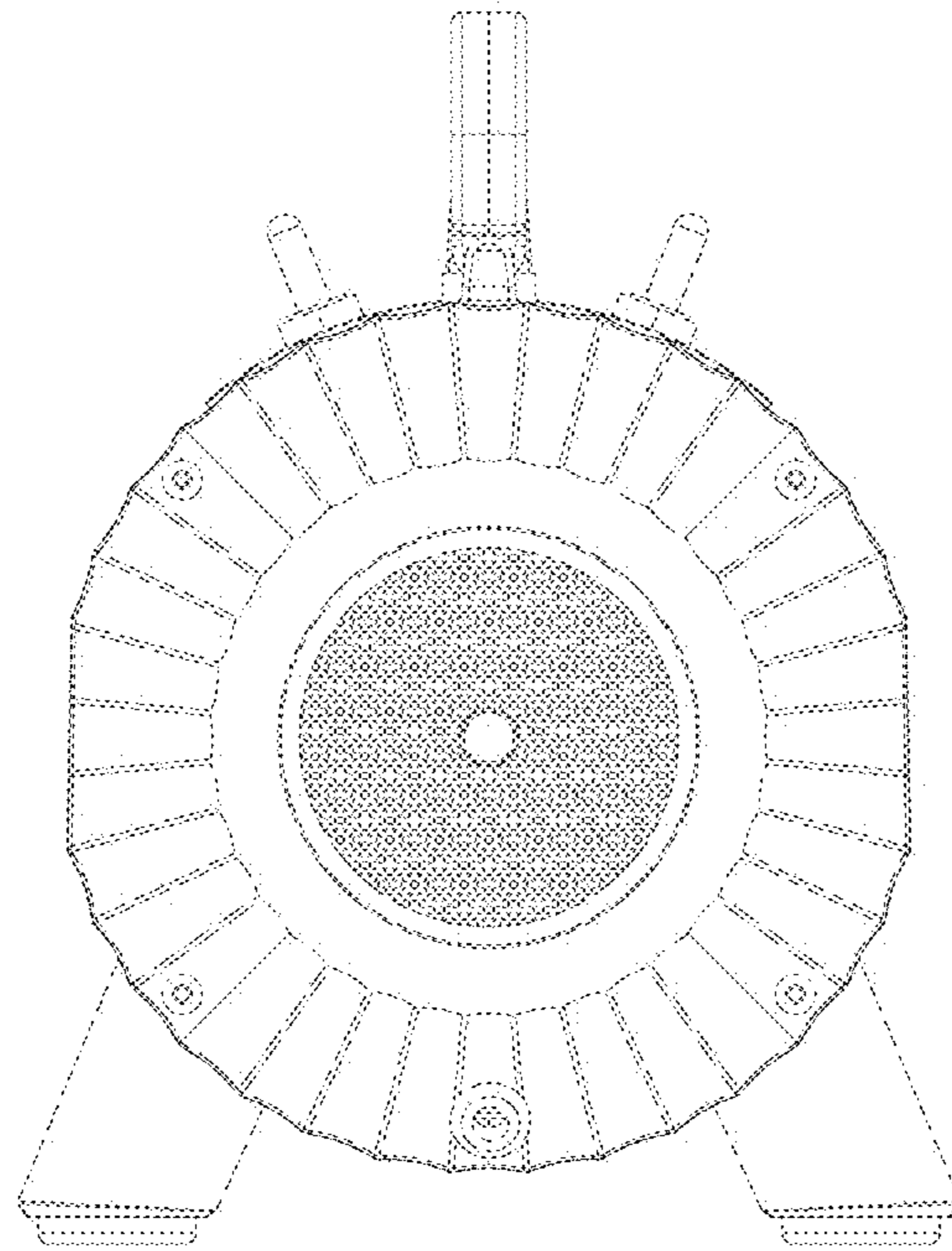


FIG. 7