



US00D838058S

(12) **United States Design Patent**
McCabe

(10) **Patent No.:** **US D838,058 S**
(45) **Date of Patent:** **** Jan. 8, 2019**

(54) **SLEEVE WITH A DETACHABLE PANEL FOR ANIMALS**

(71) Applicant: **Hidez Pty Limited**, Richmond, NSW (AU)

(72) Inventor: **Elwyn McCabe**, Kurrajong (AU)

(73) Assignee: **HIDEZ PTY LIMITED**, Richmond NSW (AU)

(**) Term: **15 Years**

(21) Appl. No.: **29/610,565**

(22) Filed: **Jul. 13, 2017**

Related U.S. Application Data

(63) Continuation-in-part of application No. 29/604,891, filed on May 22, 2017.

(30) **Foreign Application Priority Data**

Nov. 22, 2016 (AU) 201616545

(51) **LOC (11) Cl.** **30-01**

(52) **U.S. Cl.**
USPC **D30/144**

(58) **Field of Classification Search**

USPC D30/119, 108, 114, 116, 120, 136, 137, D30/138, 144, 145, 151, 152, 199, 146, D30/147, 148, 150; D2/627, 896, 897, D2/902, 909, 919, 943, 980; D3/215, D3/327; D29/101.1, 101.3, 101.5; D24/190, 192; D21/387; 119/174, 798, 119/814, 850, 856, 863, 865, 853; 36/58.5, 111, 122, 140; 602/3, 5, 6, 65;

(Continued)

(56) **References Cited**

U.S. PATENT DOCUMENTS

438,105 A * 10/1890 Geyer B68B 1/04
119/850
1,708,144 A * 4/1929 Martin A41D 17/00
2/61

(Continued)

FOREIGN PATENT DOCUMENTS

EM 004013522-0001 * 6/2017

OTHER PUBLICATIONS

Expansion Set—Ice Compression Socks, published 2018 [online], [retrieved Apr. 8, 2018], Available from Internet, URL: <http://buyhidez.com/index.php?main_page=product_info&cPath=17_5&products_id=57&zenid=40659fae6c95ad4333c7868e7e6f-5d0a>.*

(Continued)

Primary Examiner — Barbara Fox

Assistant Examiner — Mary C Ramirez

(74) *Attorney, Agent, or Firm* — Andrew F. Young, Esq.; Lackebach Siegel, LLP

(57) **CLAIM**

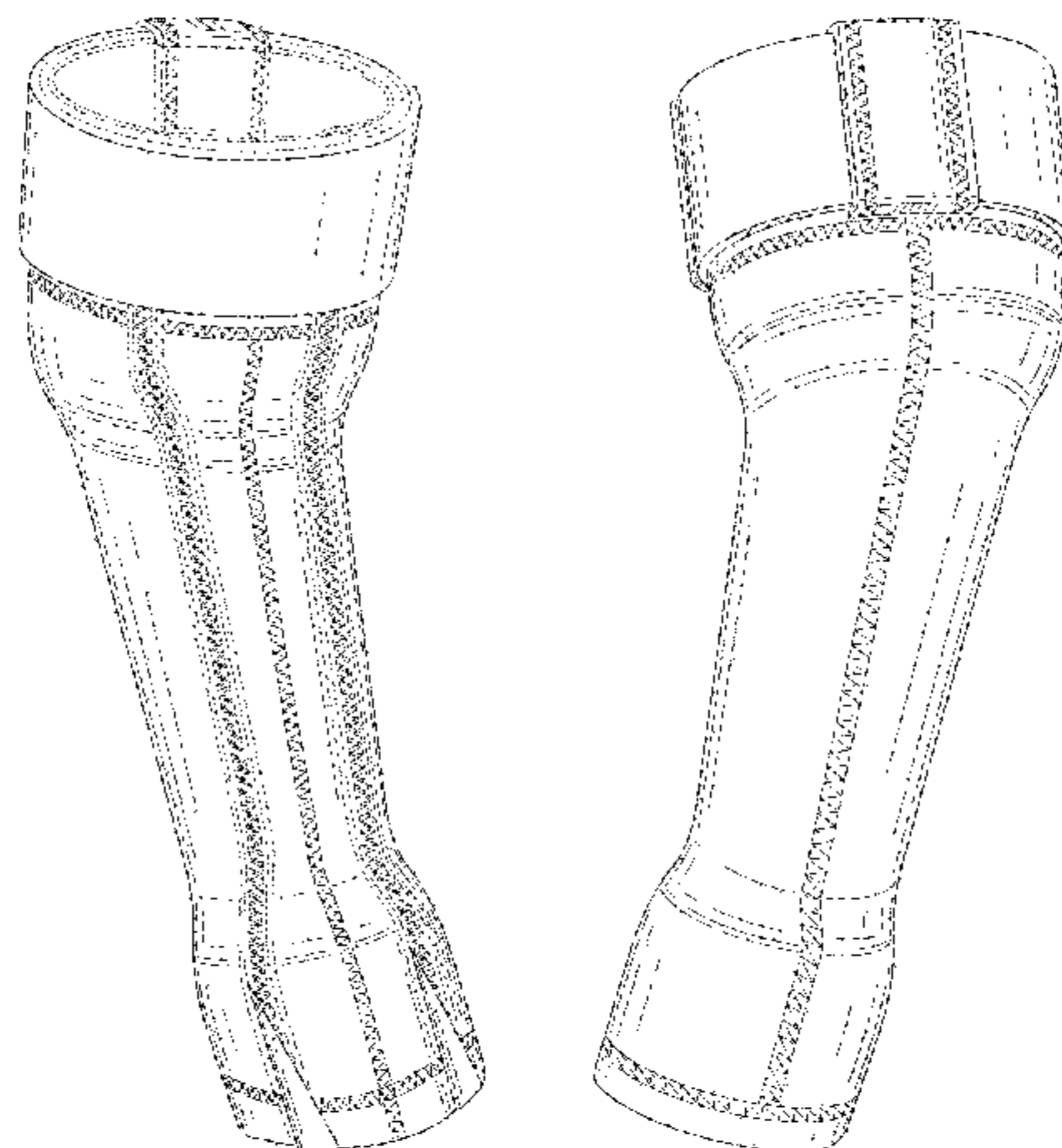
The ornamental design for a sleeve with a detachable panel for animals, as shown and described.

DESCRIPTION

FIG. 1 is a top front perspective view of a sleeve with a detachable panel for animals showing the new design. FIG. 2 is bottom rear perspective view thereof. FIG. 3 is a front elevation view thereof. FIG. 4 is a rear elevation view thereof. FIG. 5 is a left side elevation view thereof. FIG. 6 is a right side elevation view thereof. FIG. 7 is a top plan view thereof; and, FIG. 8 is a bottom view thereof.

The broken lines shown in the drawings depict portions of the sleeve with a detachable panel for animals that form no part of the claimed design.

1 Claim, 8 Drawing Sheets



(58) **Field of Classification Search**

USPC 168/1, 4, 6, 10, 12, 14, 17, 18, 26, 29,
168/28; 473/591
CPC A01K 25/00; A01K 13/006; A01K 13/007;
A01K 13/008; A01K 15/04; A01K 47/00;
A01K 47/02; A01K 47/04; A01K 47/06;
A01L 1/00; A01L 1/02; A01L 1/04; A01L
3/00; A01L 3/02; A01L 3/04; A01L 3/06;
A01L 5/00; A01L 7/00; A01L 7/02; A01L
7/04; A01L 7/06; A01L 7/08; A01L 9/00;
A01L 15/00

See application file for complete search history.

(56) **References Cited**

U.S. PATENT DOCUMENTS

2,937,487 A * 5/1960 Dever A01K 13/007
54/82
3,913,302 A * 10/1975 Centers A01K 13/007
119/820
D352,369 S * 11/1994 Figoni D30/144
6,508,205 B1 * 1/2003 Zink A01K 13/007
119/850
6,883,466 B1 * 4/2005 Chambers A01K 13/007
119/850
D581,605 S * 11/2008 Schmucker D30/146

D743,637 S * 11/2015 Ruetenik D30/144
D750,261 S * 2/2016 Kusmirek D24/190
D784,004 S * 4/2017 Bracken D2/980
D800,323 S * 10/2017 Cox D24/190
2005/0241188 A1 * 11/2005 Yun A01K 13/007
36/111
2009/0094864 A1 * 4/2009 Ketzenberg A01K 13/007
36/111
2015/0156989 A1 * 6/2015 Ruetenik A01K 13/007
168/28
2017/0280682 A1 * 10/2017 Ruetenik A01K 13/007

OTHER PUBLICATIONS

Hidez Socks, published Sep. 4, 2015 [online], [retrieved Apr. 8, 2018], Available from Internet, URL: <<https://web.archive.org/web/20150904124724/http://www.hidez.nl:80/product-categorie/socks/>>.*

Hidez How to Fit Ice Compression Socks, published Aug. 14, 2014 [online], [retrieved Apr. 8, 2018], Available from Internet, URL: <<https://www.youtube.com/watch?v=IL4k6LOW9mw>> at approximately 0:46.*

Hidez How to Fit Compression Socks, published Aug. 14, 2014 [online], [retrieved Apr. 8, 2018], Available from Internet, URL: <<https://www.youtube.com/watch?v=Lxq03U1kB5k>> at approximately 0:44.*

* cited by examiner

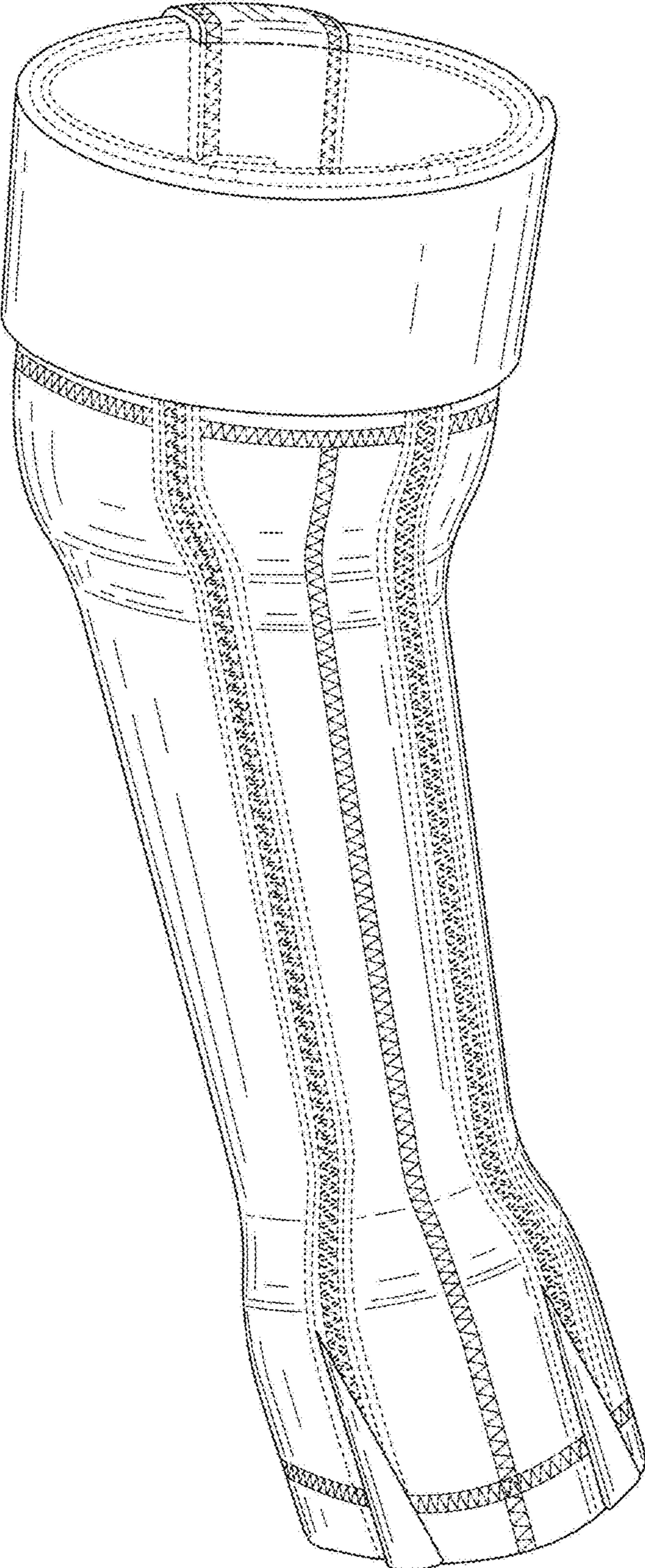


FIG. 1

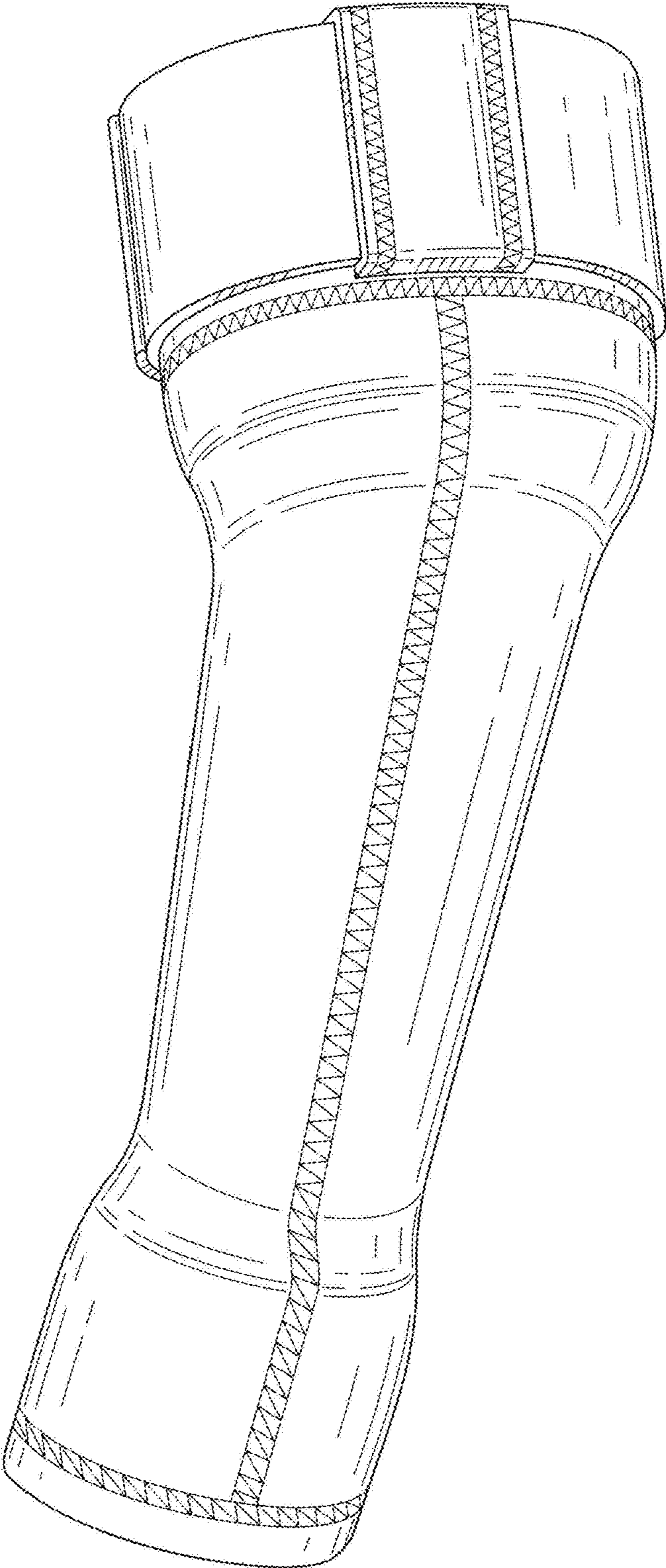


FIG. 2

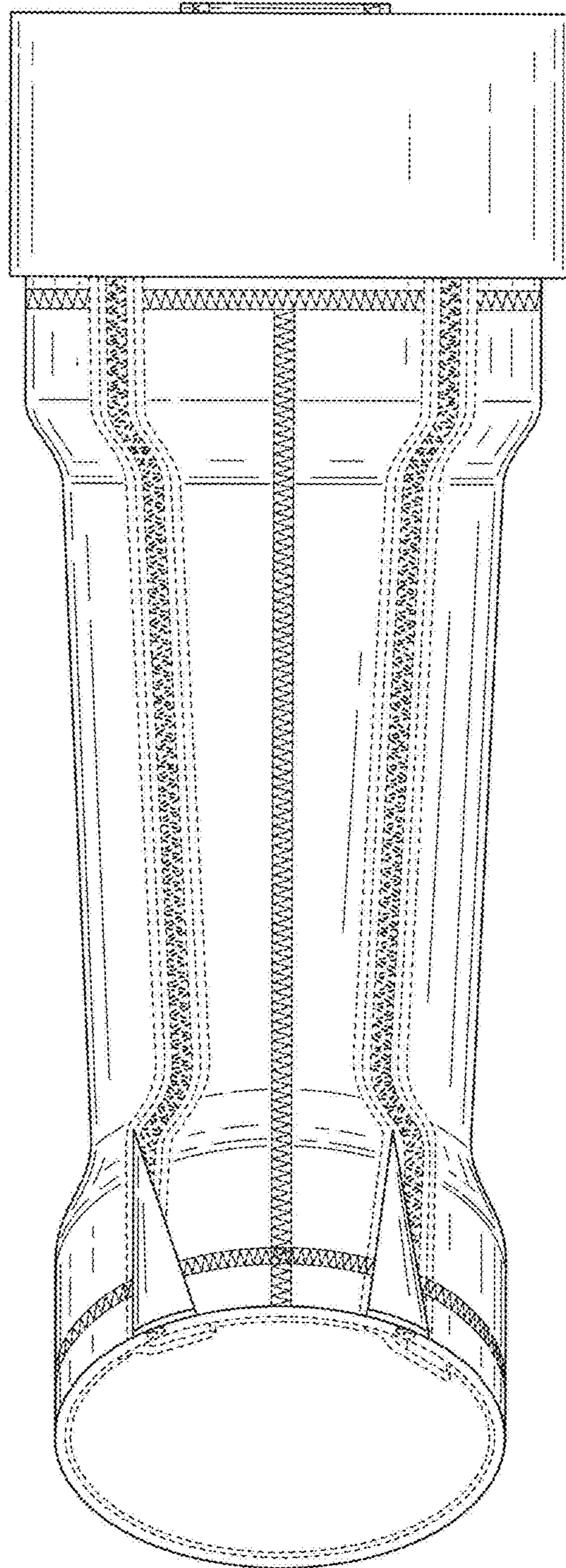


FIG. 3

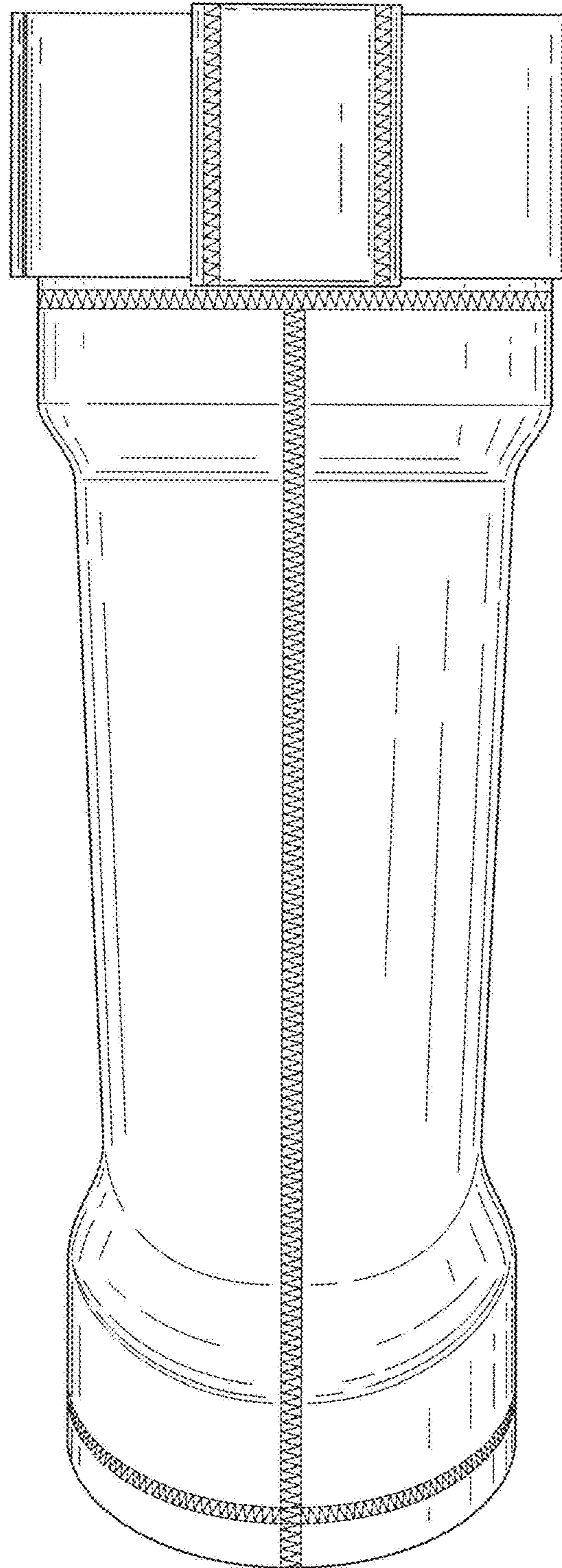


FIG. 4

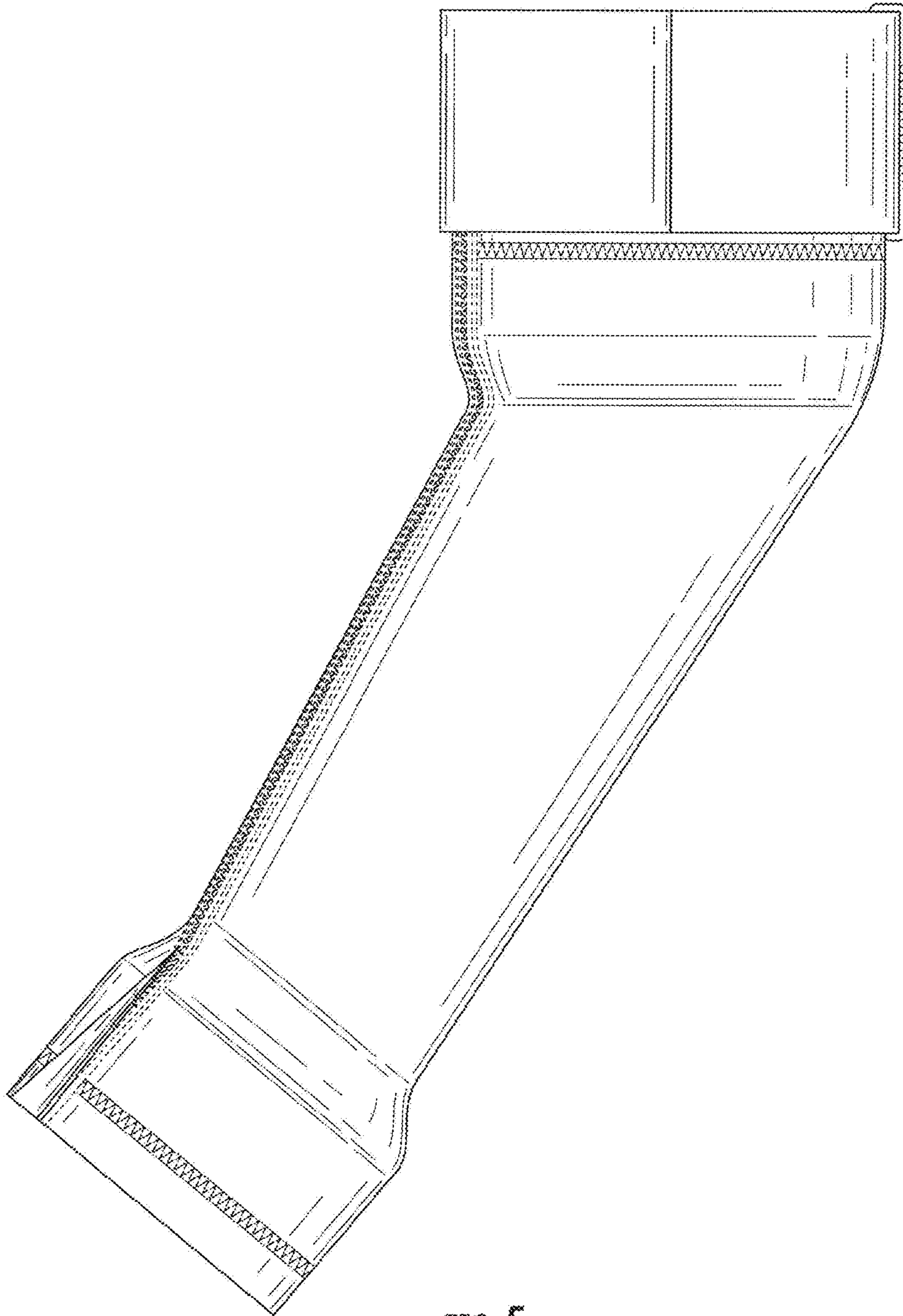


FIG. 5

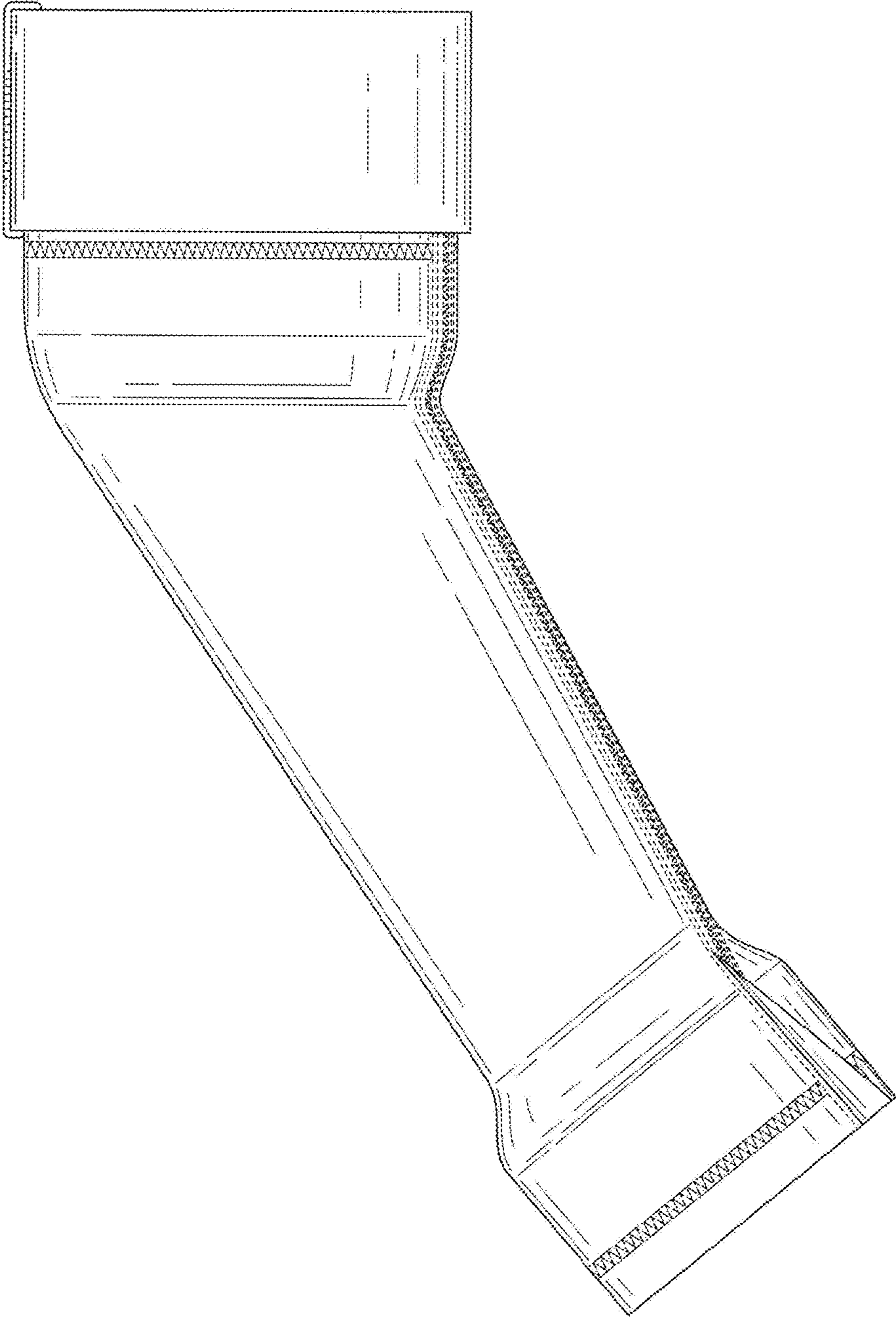


FIG. 6

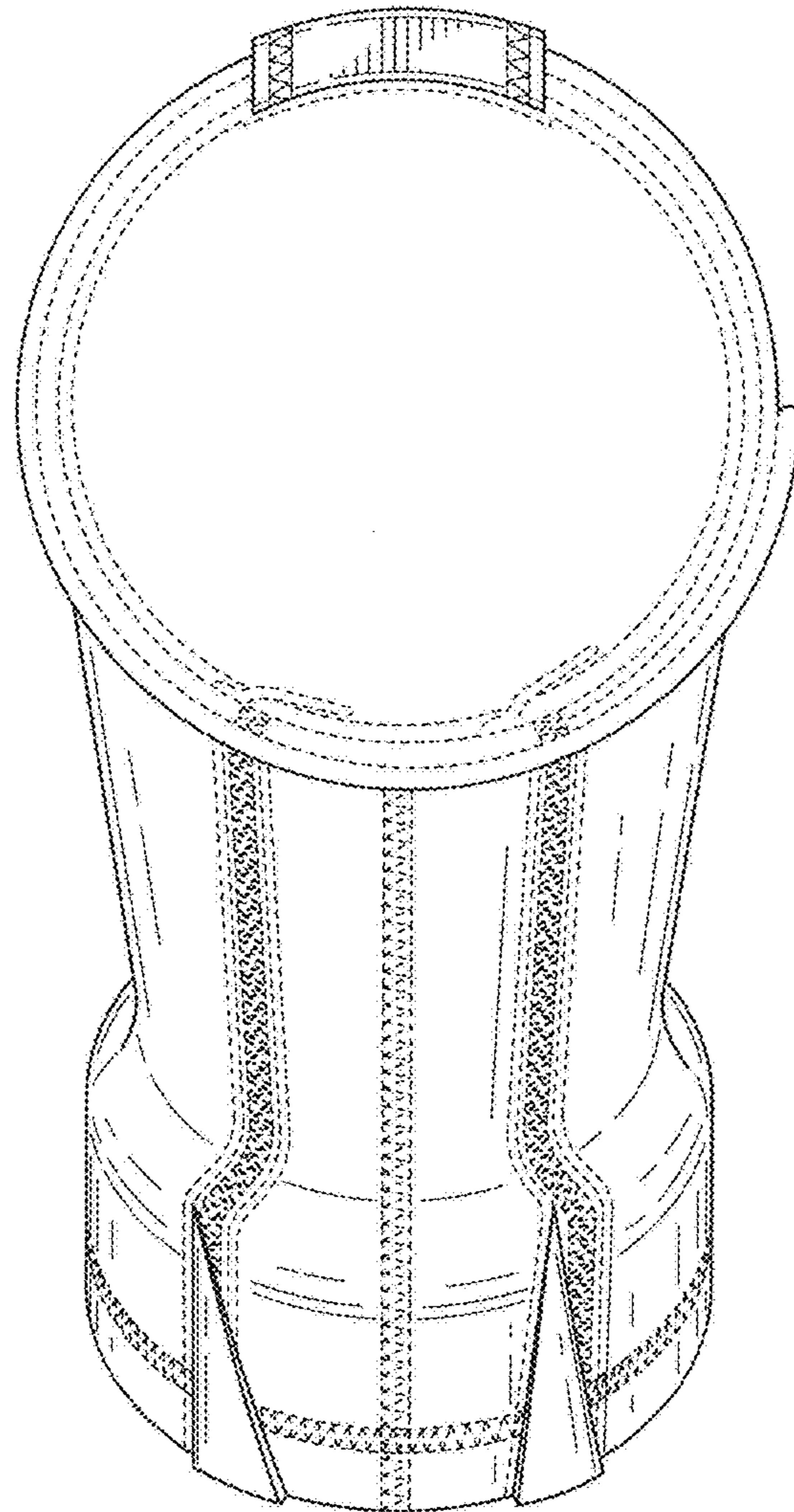


FIG. 7

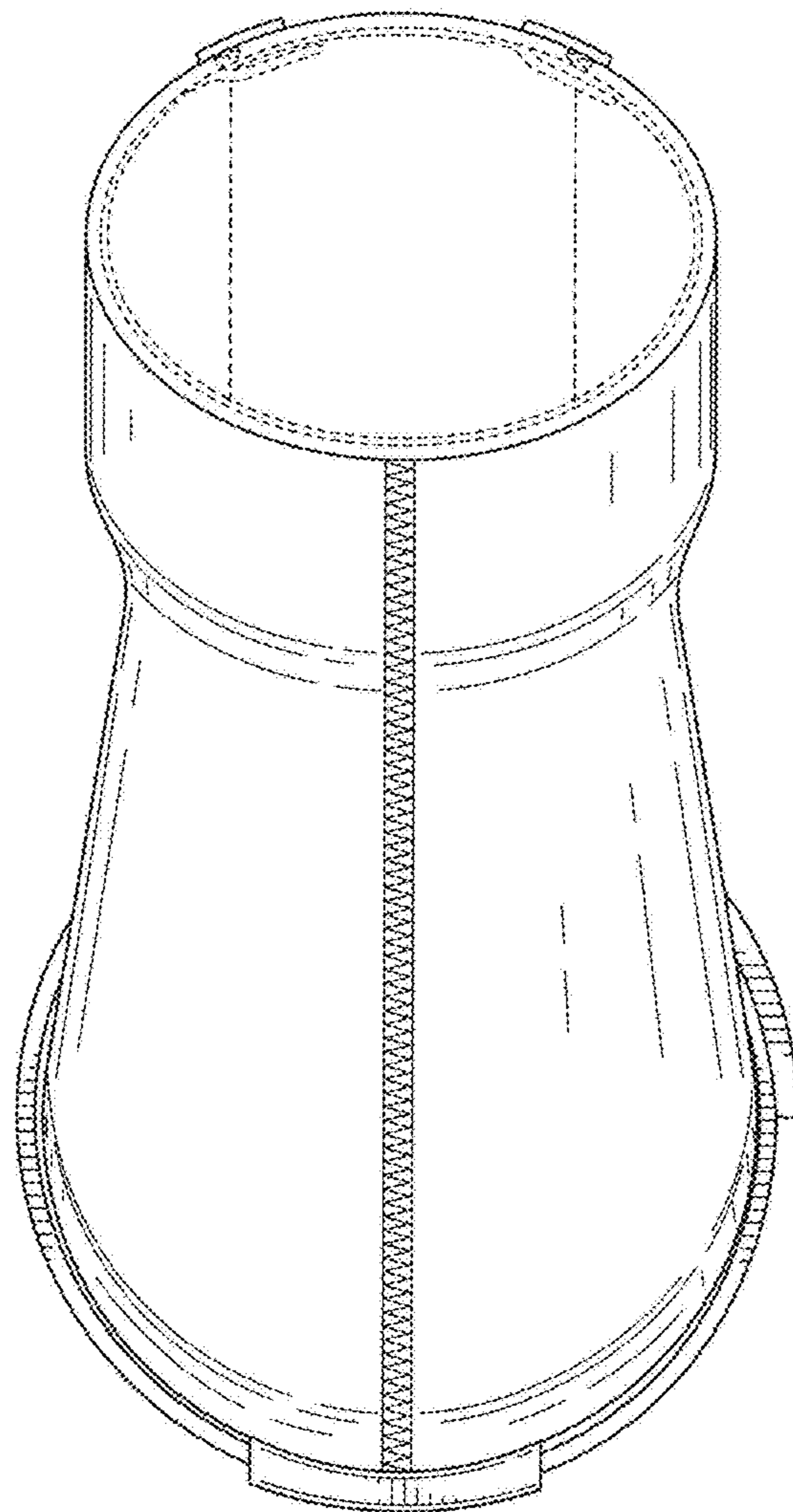


FIG. 8