



US00D838054S

(12) **United States Design Patent**
Franson et al.

(10) **Patent No.:** **US D838,054 S**
(45) **Date of Patent:** **** Jan. 8, 2019**

- (54) **MEDICAL KNEE WALKER PAD**
- (71) Applicants: **Justin Franson**, Austin, TX (US);
Suzanne Carr Tan Hawson, Valencia, CA (US)
- (72) Inventors: **Justin Franson**, Austin, TX (US);
Suzanne Carr Tan Hawson, Valencia, CA (US)
- (**) Term: **15 Years**
- (21) Appl. No.: **29/587,878**
- (22) Filed: **Dec. 15, 2016**
- (51) **LOC (11) Cl.** **29-02**
- (52) **U.S. Cl.**
USPC **D29/121.1; D12/130**
- (58) **Field of Classification Search**
USPC D29/10, 11, 100, 101.5, 121.1, 122;
D2/711, 713; 128/95.1, 96.1, 98.1, 846,
128/891; 602/67, 72, 73, 96, 108, 114;
2/2, 455; 450/38, 228, 267, 403, 405;
623/7; 604/352, 353, 395; D12/128–133
CPC A41D 13/05; A41D 13/0525; A63B 71/08;
A61H 3/00; A61H 3/04; A61H
2003/001–2003/007; A61H 2003/043;
A61H 2003/046
See application file for complete search history.

- (56) **References Cited**
U.S. PATENT DOCUMENTS
1,486,308 A * 3/1924 Shook A41D 13/0568
2/24
2,733,443 A * 2/1956 Holder A41D 13/0568
2/22
D363,904 S * 11/1995 Stone D12/128

- D516,254 S * 2/2006 Shircliff D29/121.1
- D517,455 S * 3/2006 Allen D12/130
- 7,287,767 B1 * 10/2007 Gomes B62K 3/16
280/87.021
- D704,898 S * 5/2014 Kaal D29/121.1
- D763,517 S * 8/2016 Cavazos D29/121.1

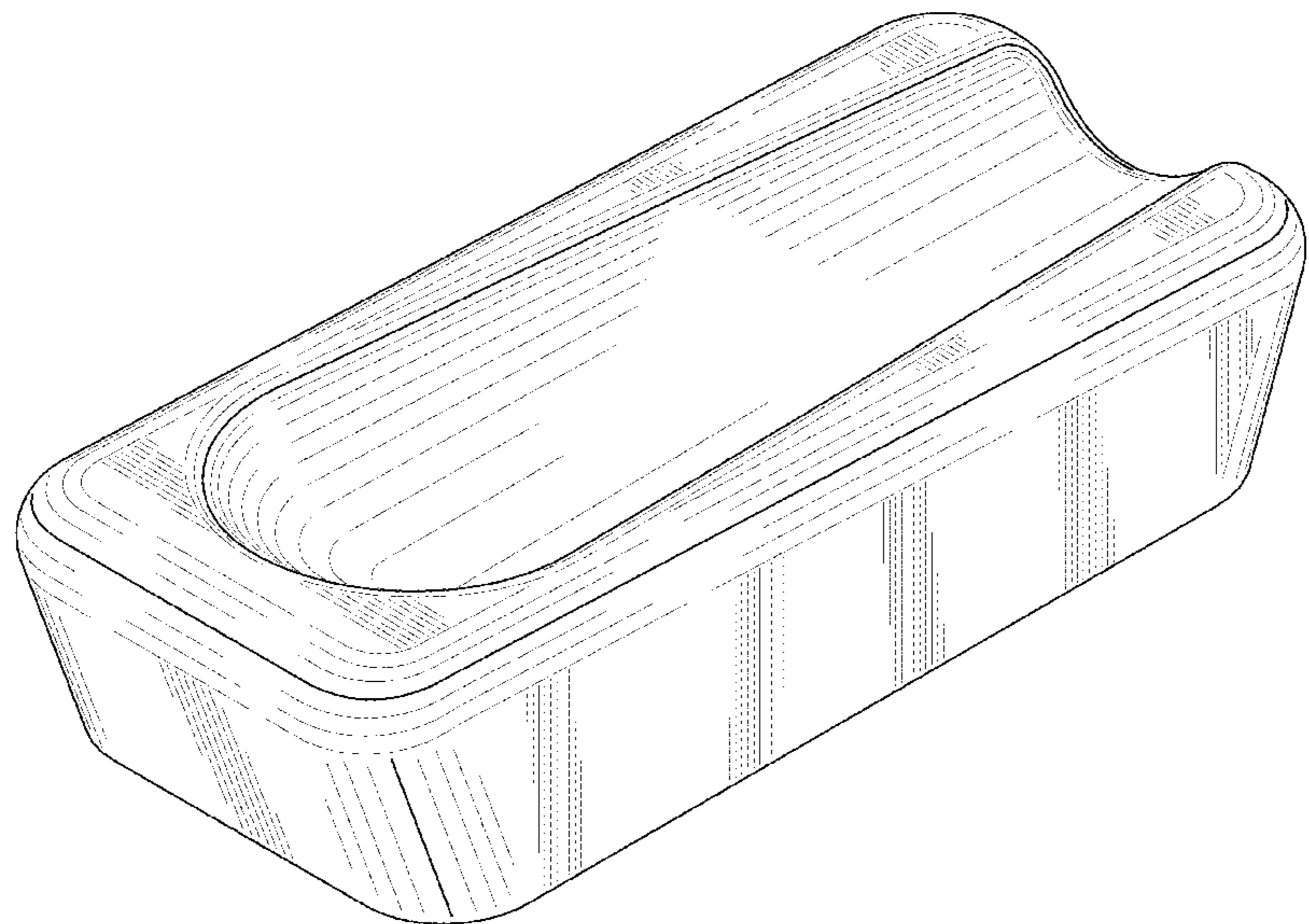
* cited by examiner
Primary Examiner — Randall H Gholson
(74) *Attorney, Agent, or Firm* — Kelly & Kelley, LLP

(57) **CLAIM**
The ornamental design for a medical knee walker pad, as shown.

DESCRIPTION

FIG. 1 is a front perspective view of a medical knee walker pad;
FIG. 2 is a side perspective view of the medical knee walker pad;
FIG. 3 is a top plan view of the medical knee walker pad;
FIG. 4 is a bottom plan view of the medical knee walker pad, those portions in phantom forming no part of the claimed design;
FIG. 5 is a side elevational view of the medical knee walker pad, the left and right sides being mirror images of one another;
FIG. 6 is a front elevational view of the medical knee walker pad;
FIG. 7 is a rear elevational view of the medical knee walker pad; and,
FIG. 8 is a perspective view of the medical knee walker pad attached to a medical knee walker, shown in phantom and forming no part of the claimed design.
The broken lines in the drawings show unclaimed subject matter and unclaimed environment only and form no part of the claimed design.

1 Claim, 7 Drawing Sheets



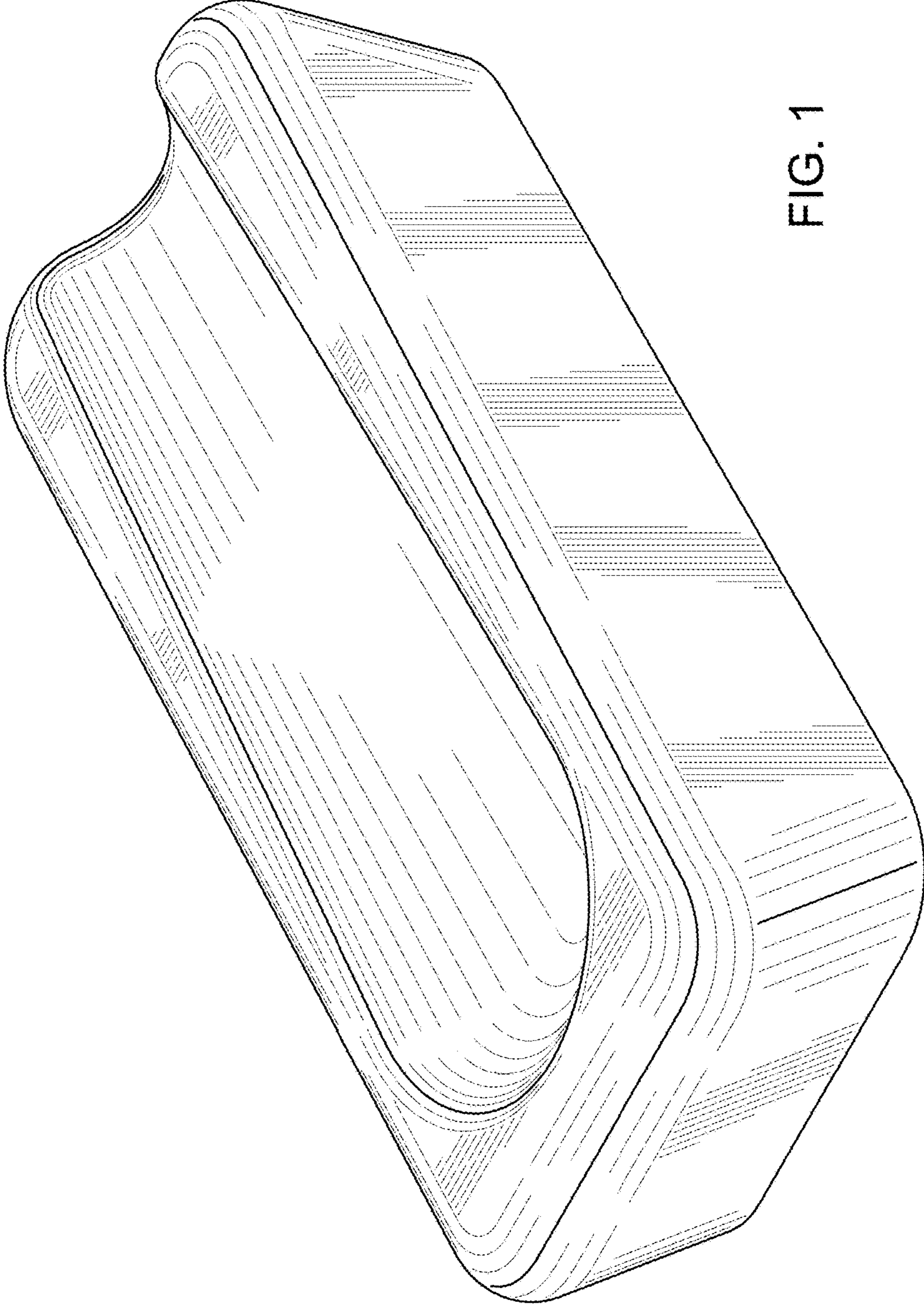


FIG. 1

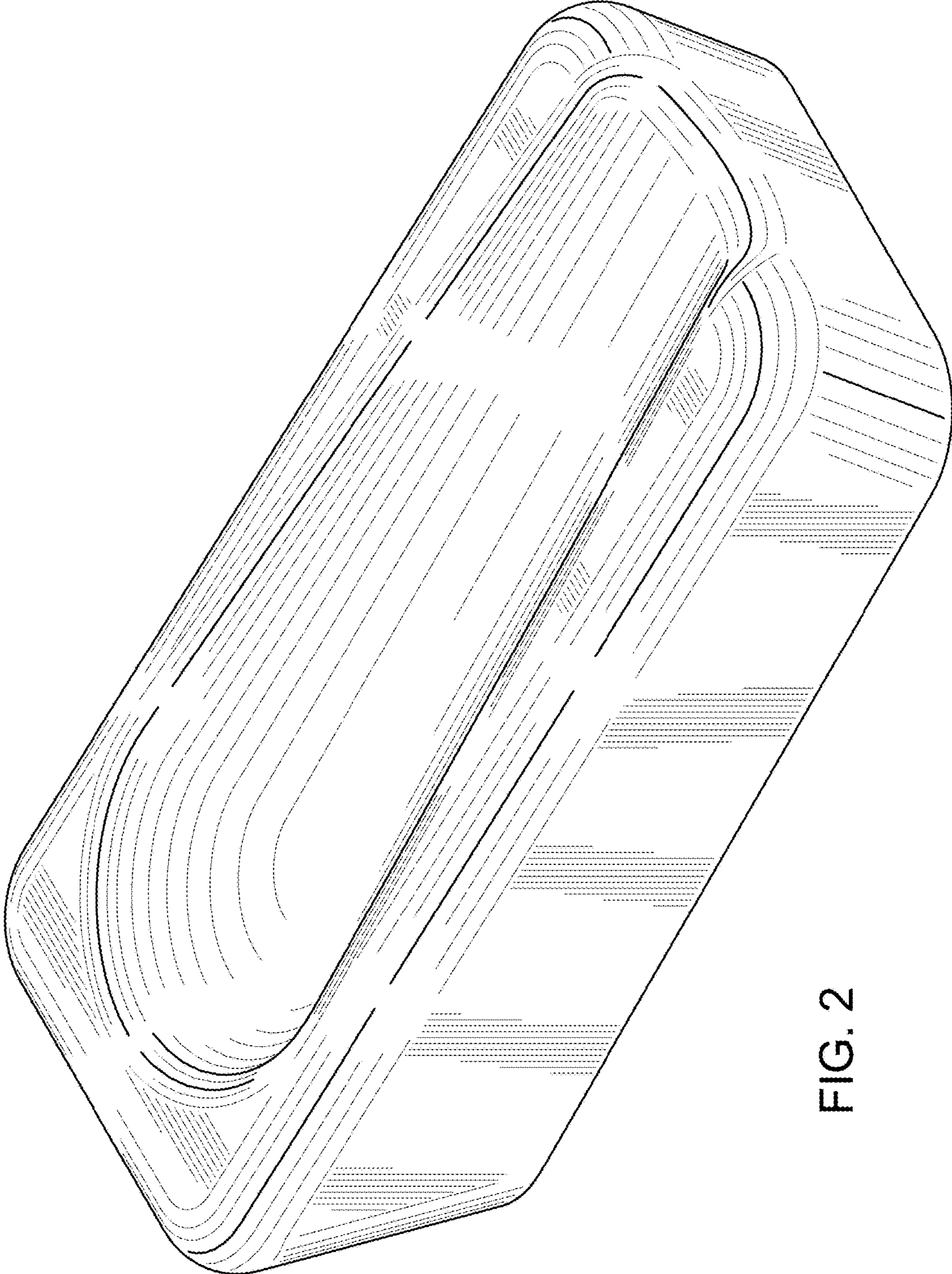


FIG. 2

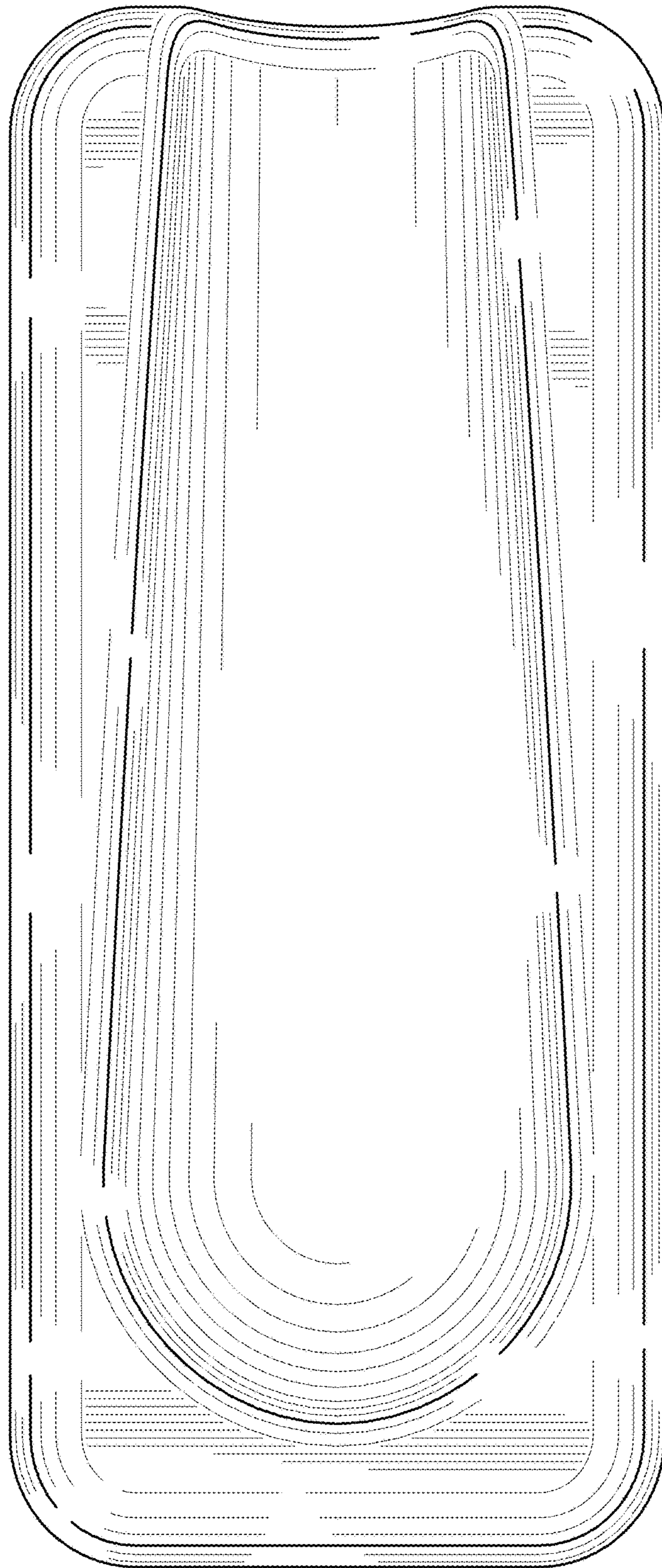


FIG. 3

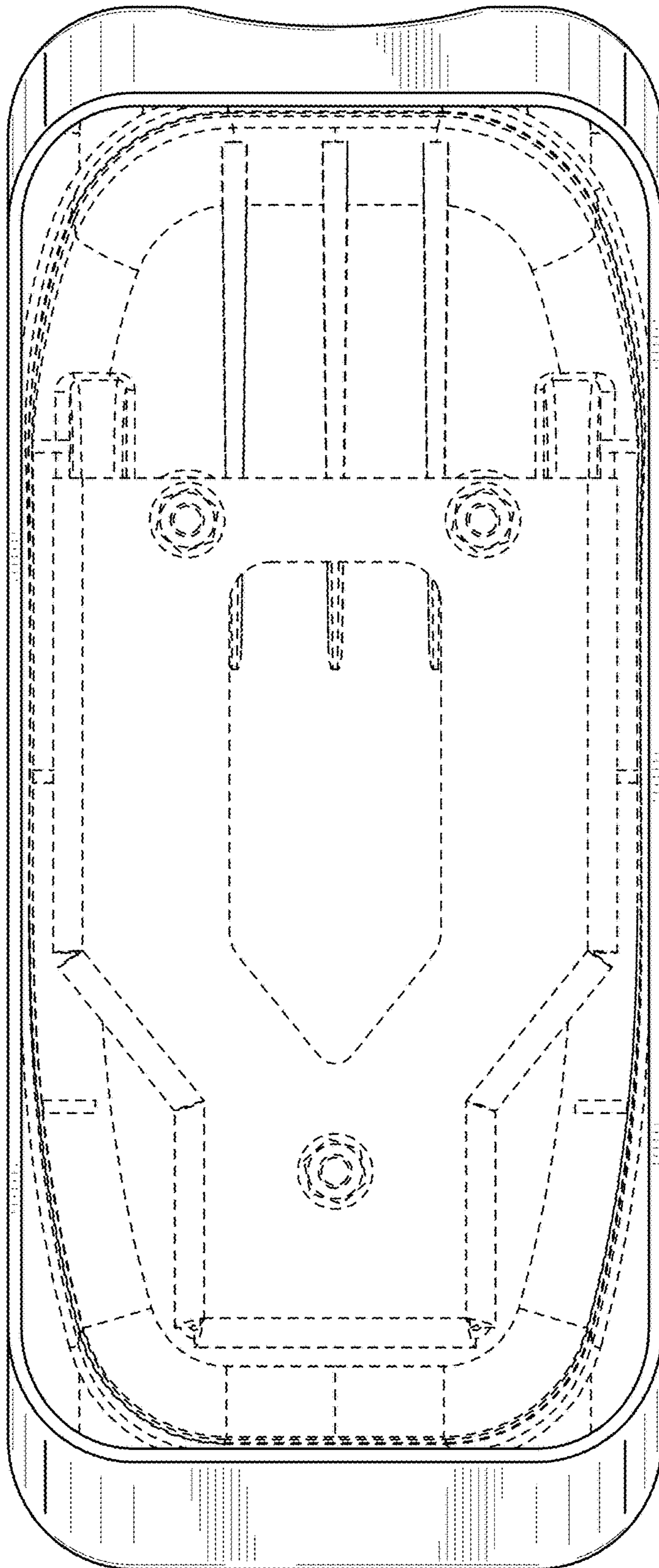


FIG. 4

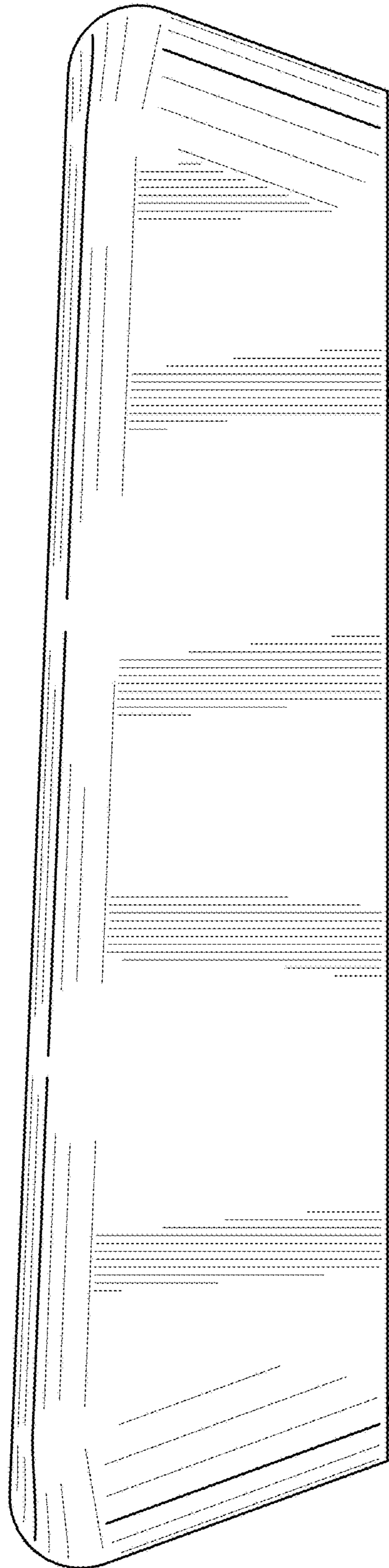


FIG. 5

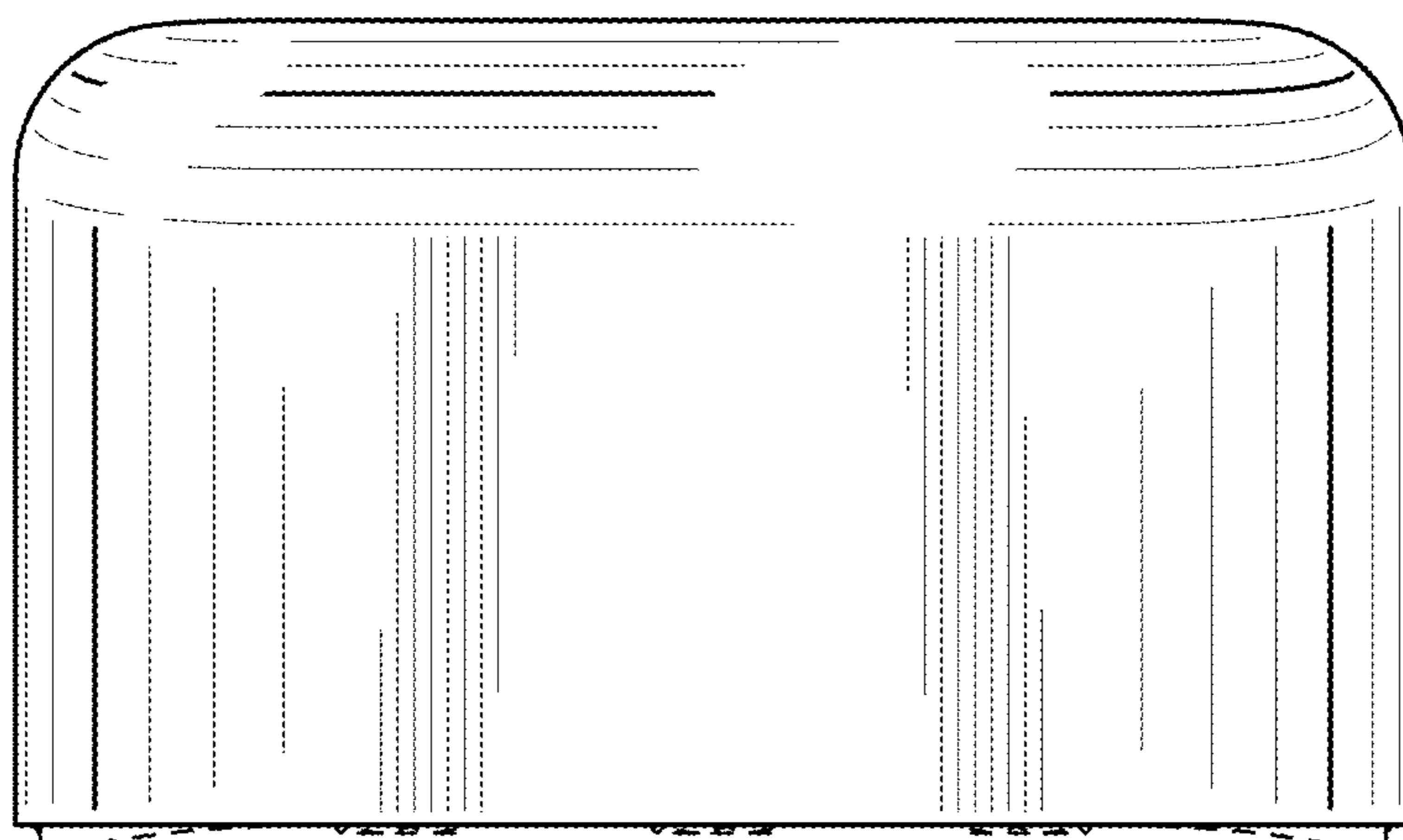


FIG. 6

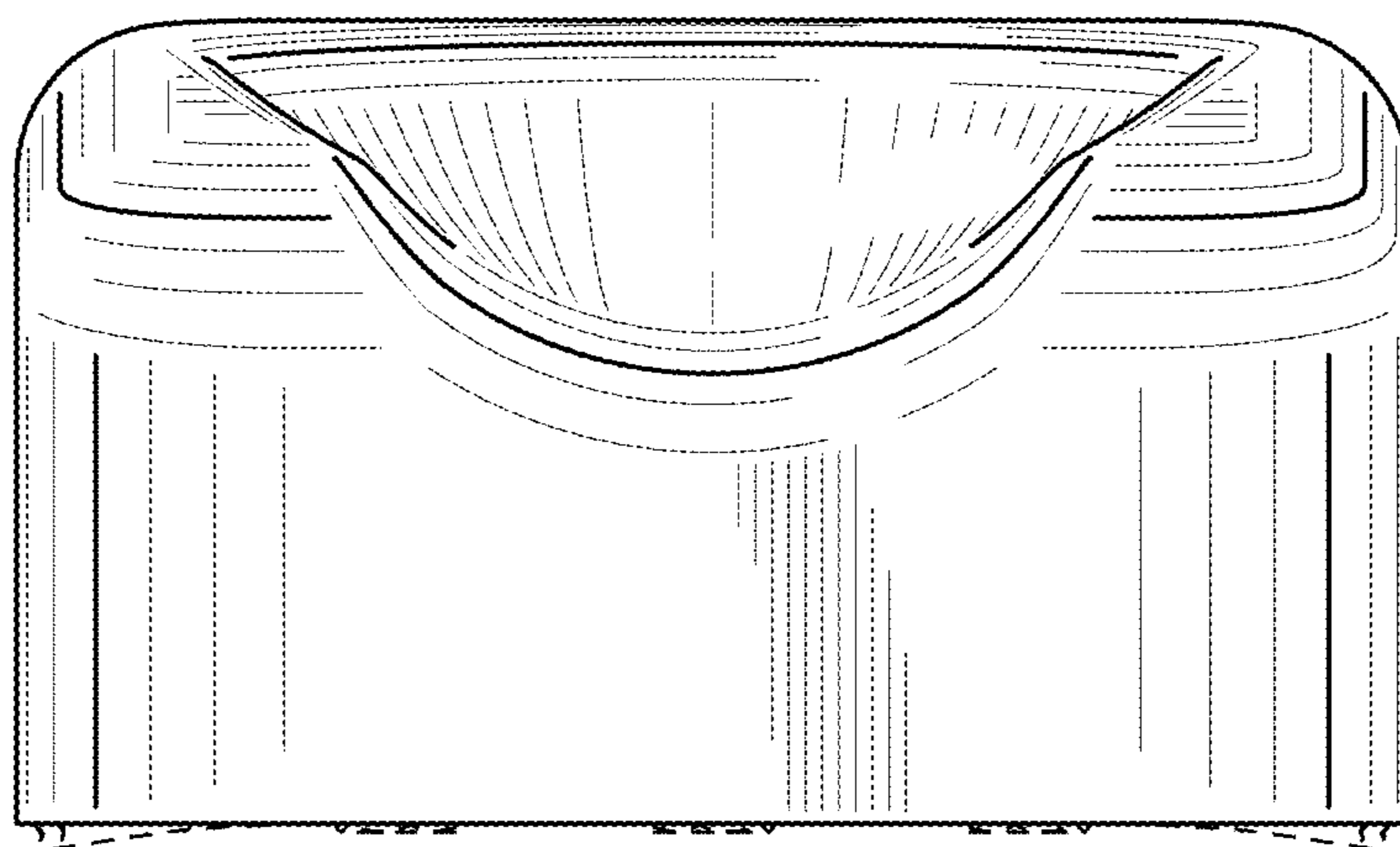


FIG. 7

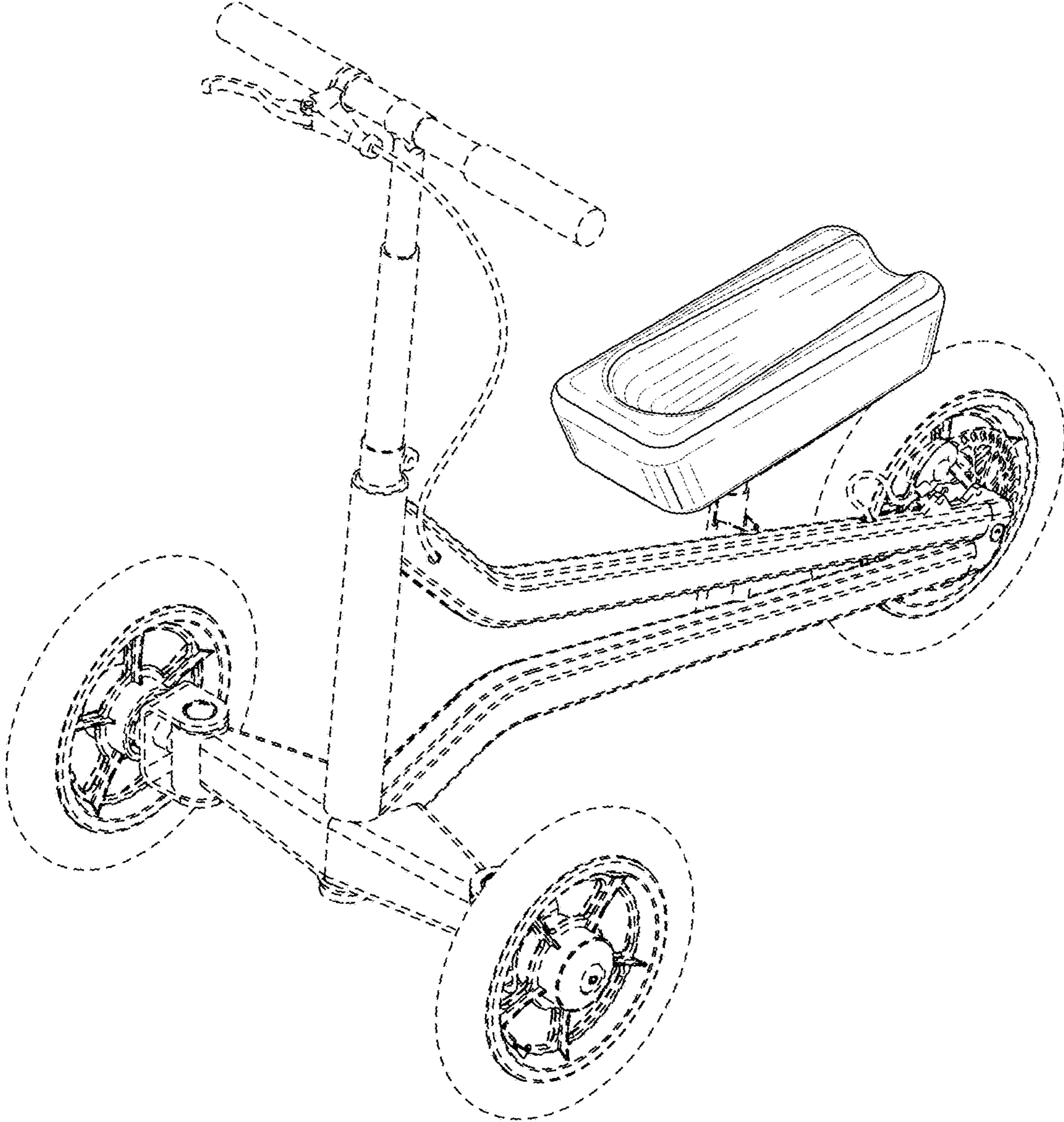


FIG. 8