



US00D838049S

(12) **United States Design Patent** (10) **Patent No.:** **US D838,049 S**
Wood et al. (45) **Date of Patent:** **** Jan. 8, 2019**

(54) **SEGMENTED TAPE FOR ORNAMMENTING CLOTHING**

(71) Applicant: **OccuNomix International LLC**, Port Jefferson Station, NY (US)

(72) Inventors: **Paul Wood**, South Pasadena, CA (US); **Christine Frevola**, Wading River, NY (US); **Edward Hickok**, Westport, CT (US); **Stacey Wheeler-Phillips**, Levittown, NY (US)

(73) Assignee: **OccuNomix International LLC**, Port Jefferson Station, NY (US)

(**) Term: **15 Years**

(21) Appl. No.: **29/614,716**

(22) Filed: **Aug. 22, 2017**

(51) **LOC (11) Cl.** **29-02**

(52) **U.S. Cl.**
USPC **D29/101.4**

(58) **Field of Classification Search**
USPC D2/739, 759, 728, 716, 828, 829, 841;
D29/101.1, 101.4
CPC A41D 1/02; A41D 1/0022; A41D 1/04;
A41D 13/01; A41D 3/02
See application file for complete search history.

(56) **References Cited**

U.S. PATENT DOCUMENTS

D440,716 S * 4/2001 Lesley A41D 13/01
D29/101.4
6,859,941 B2 3/2005 Koppes
6,974,610 B1 12/2005 Koppes

(Continued)

Primary Examiner — Randall H Gholson

(74) *Attorney, Agent, or Firm* — Amster, Rothstein & Ebenstein LLP

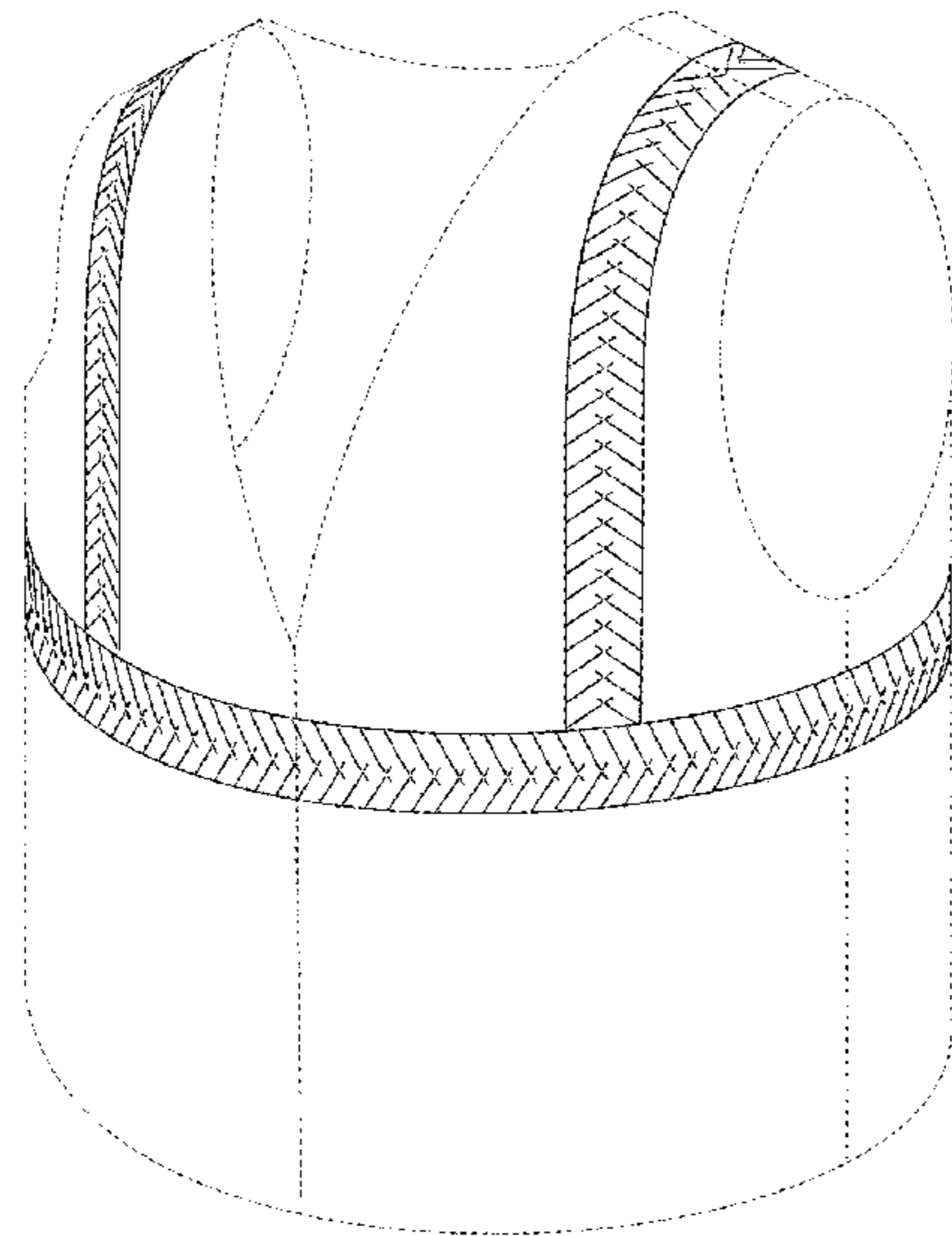
(57) **CLAIM**

The ornamental design for a segmented tape for ornamenting clothing, as shown and described.

DESCRIPTION

FIG. 1 is a front perspective view of the segmented tape for ornamenting clothing showing the present design.
FIG. 2 is a front view thereof.
FIG. 3 is a rear view thereof.
FIG. 4 is left side view thereof.
FIG. 5 is a right side view thereof.
FIG. 6 is a top view thereof.
FIG. 7 is a front perspective view of a second embodiment of the segmented tape for ornamenting clothing.
FIG. 8 is a front view thereof.
FIG. 9 is a rear view thereof.
FIG. 10 is left side view thereof.
FIG. 11 is a right side view thereof.
FIG. 12 is a top view thereof.
FIG. 13 is a bottom view thereof.
FIG. 14 is a front perspective view of a third embodiment of the segmented tape for ornamenting clothing.
FIG. 15 is a front view thereof.
FIG. 16 is a rear view thereof.
FIG. 17 is left side view thereof.
FIG. 18 is a right side view thereof.
FIG. 19 is a top view thereof.
FIG. 20 is a bottom view thereof.
FIG. 21 is a front perspective view of a fourth embodiment of the segmented tape for ornamenting clothing.
FIG. 22 is a front view thereof.
FIG. 23 is a rear view thereof.
FIG. 24 is left side view thereof; and,
FIG. 25 is a right side view thereof.
The portions of the design shown in broken lines being for the purpose of illustrating environment only and form no part of the claimed design.

1 Claim, 23 Drawing Sheets



(56)

References Cited

U.S. PATENT DOCUMENTS

D595,481 S * 7/2009 Pressley D2/841
7,841,021 B2 * 11/2010 Golle A41D 13/01
2/102
7,845,018 B1 * 12/2010 Greer B63C 9/11
2/102
8,408,731 B1 * 4/2013 Joyner A41D 1/04
2/102
D684,749 S * 6/2013 Reisler D2/828
D694,957 S * 12/2013 Barker D29/101.4
D703,921 S * 5/2014 Reisler D2/828
D733,970 S * 7/2015 Jones D29/101.4
D789,655 S * 6/2017 Gill D2/728

* cited by examiner

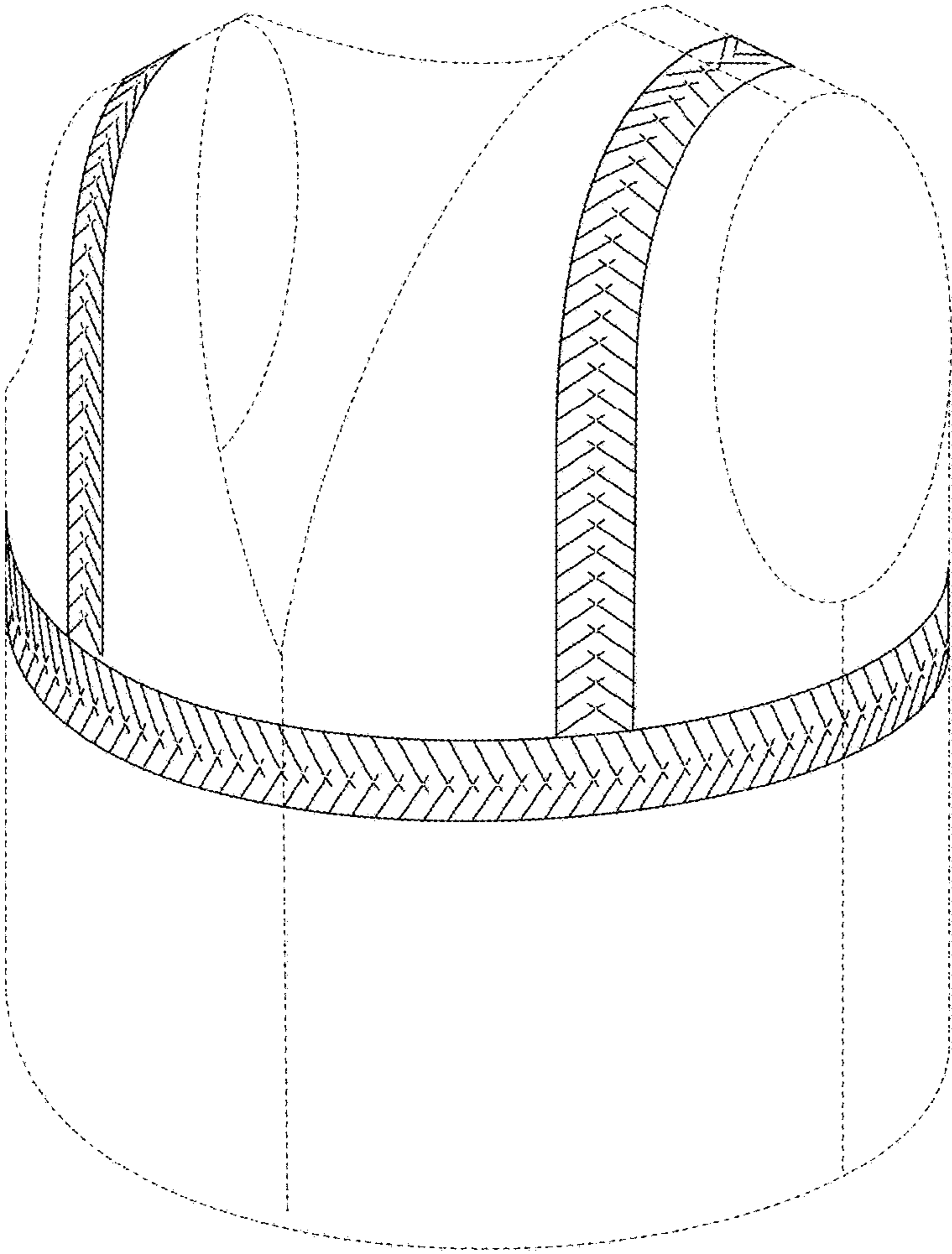


FIG. 1

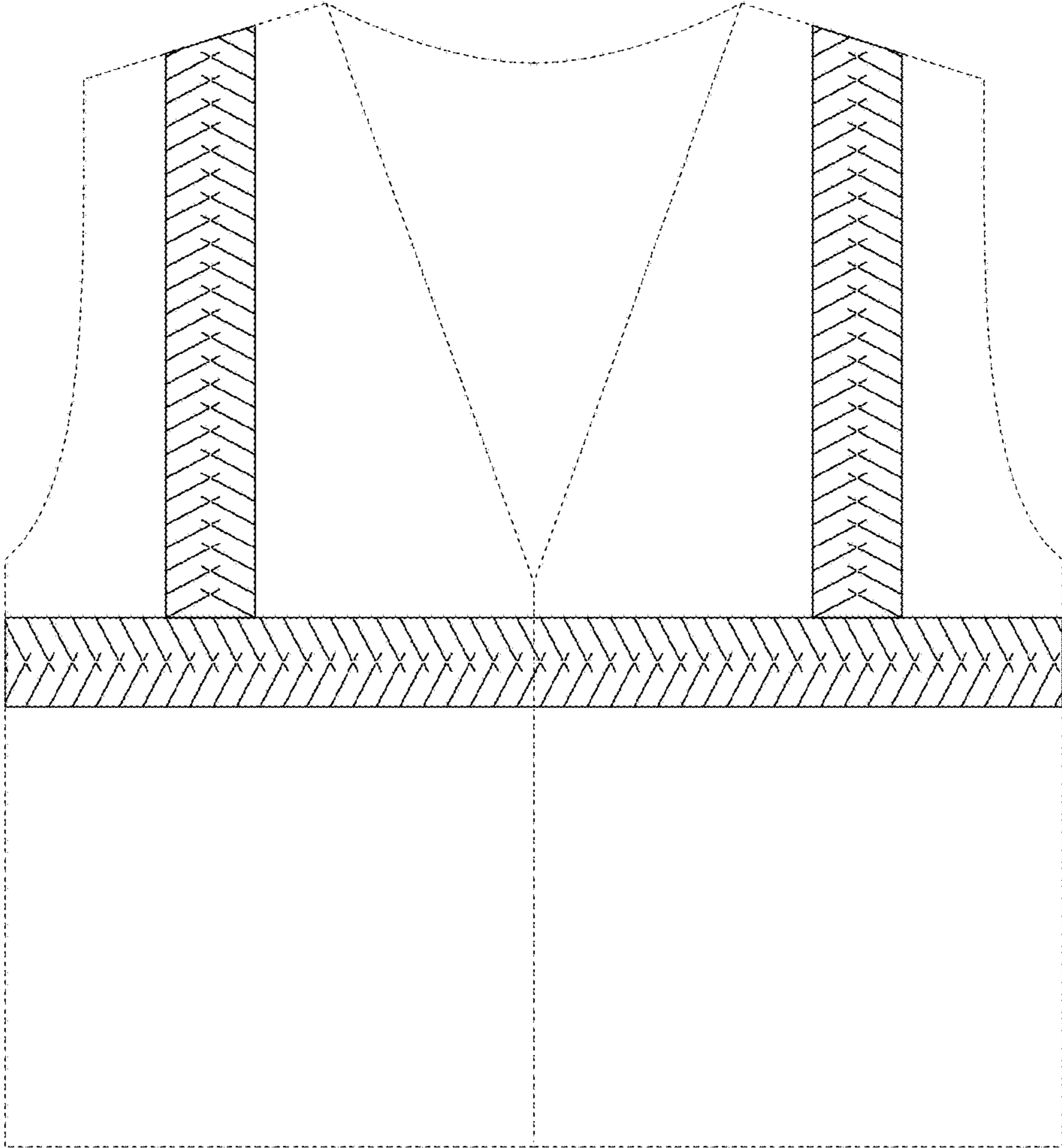


FIG. 2

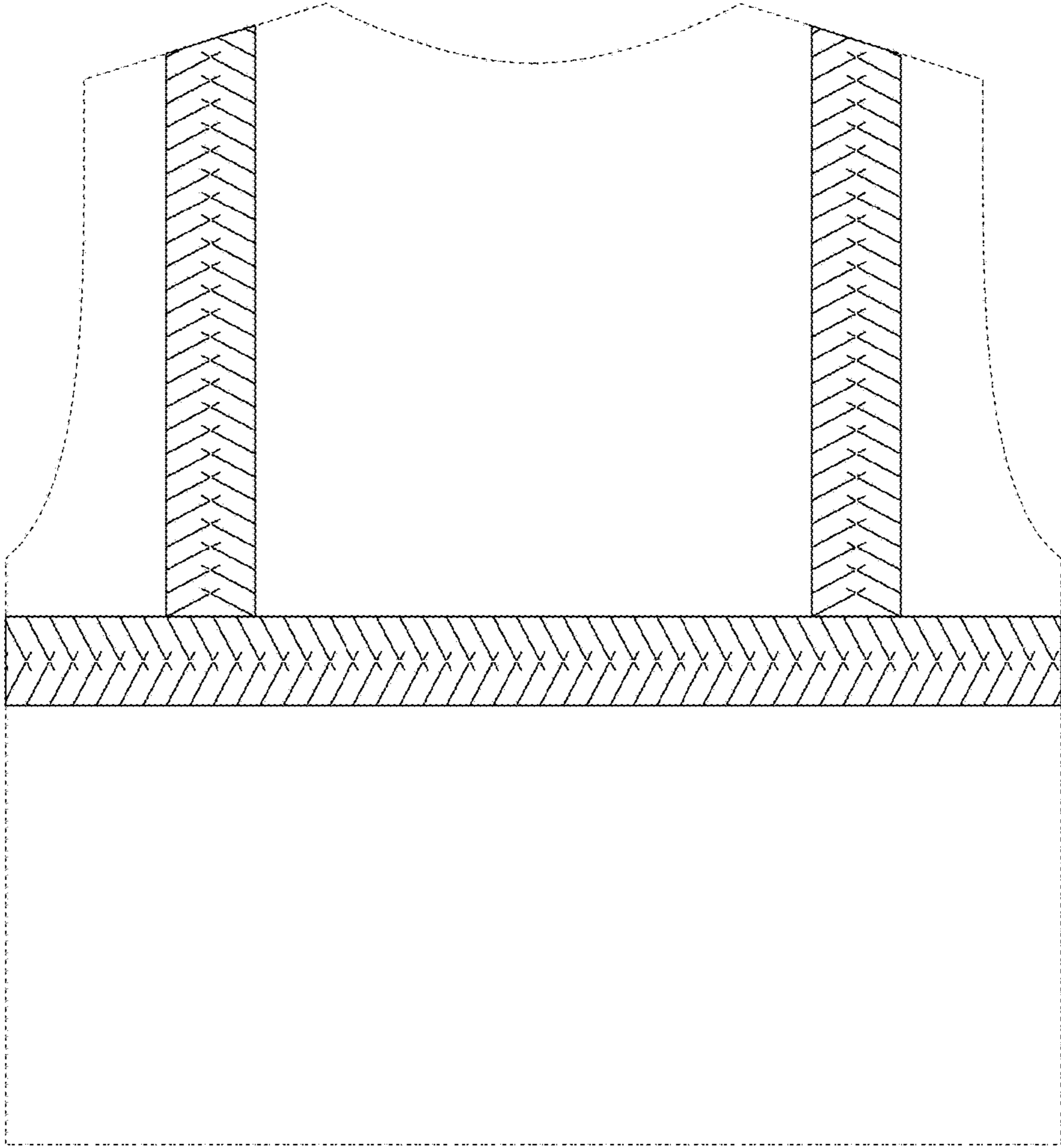


FIG. 3

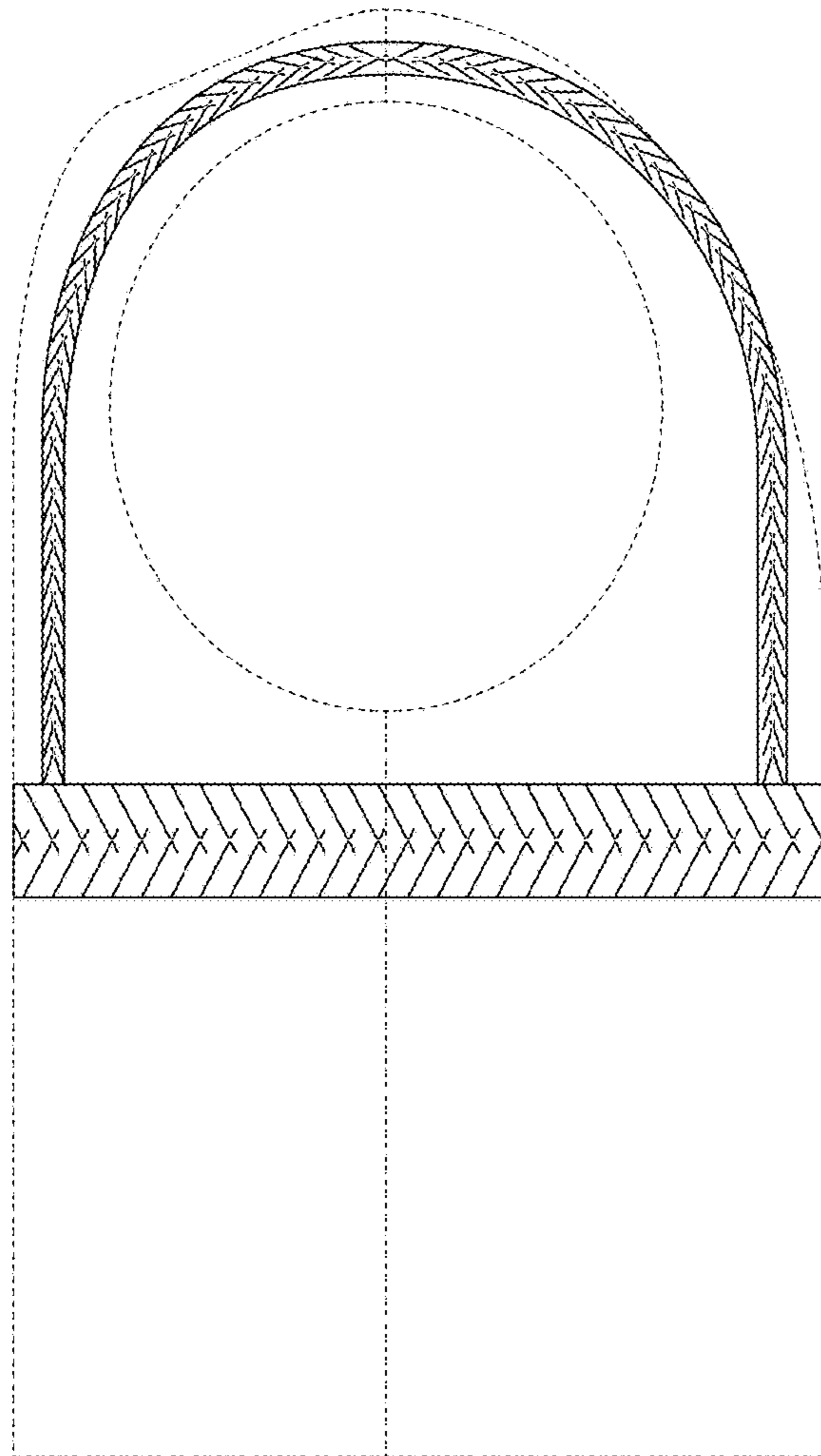


FIG. 4

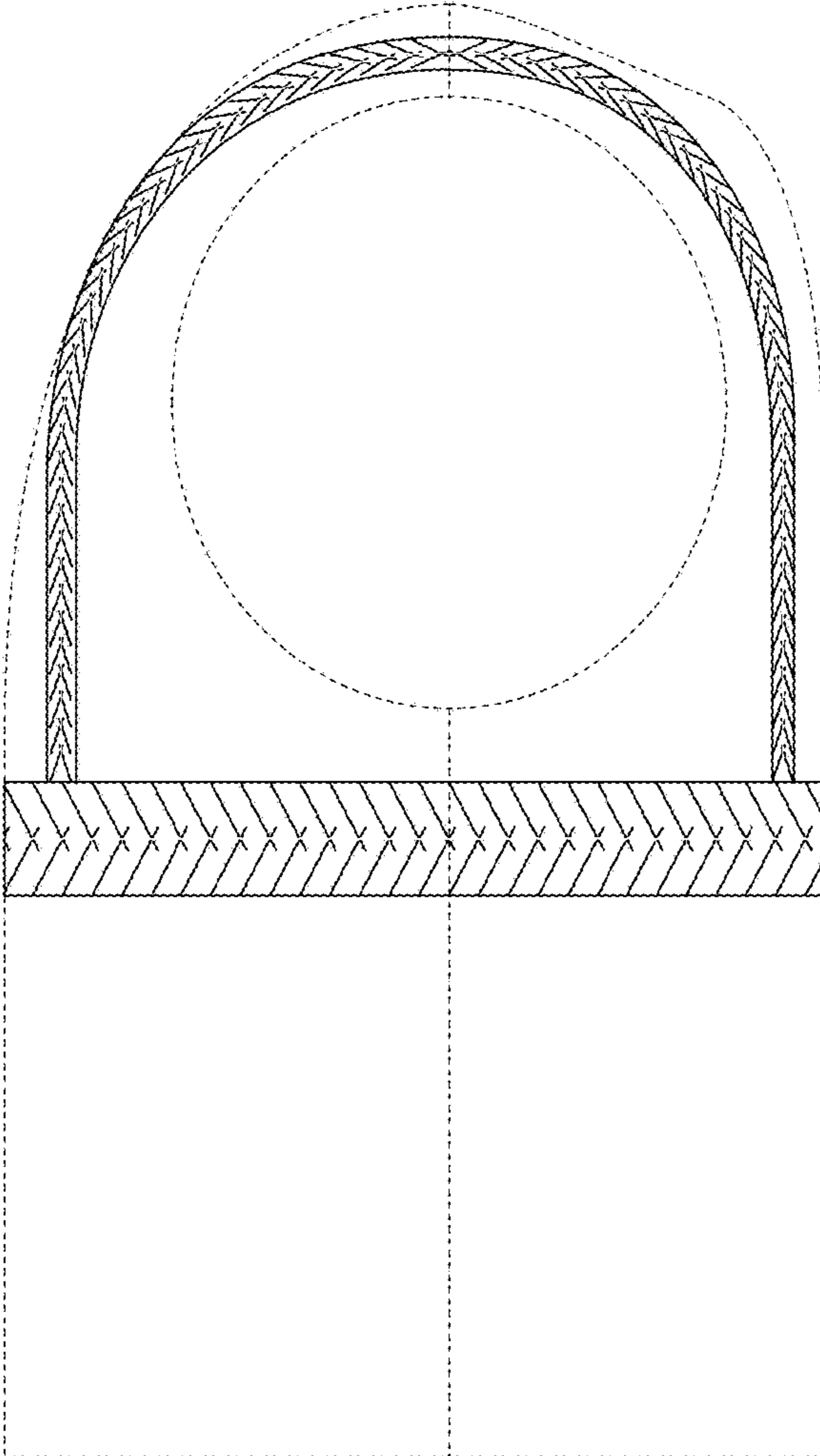


FIG. 5

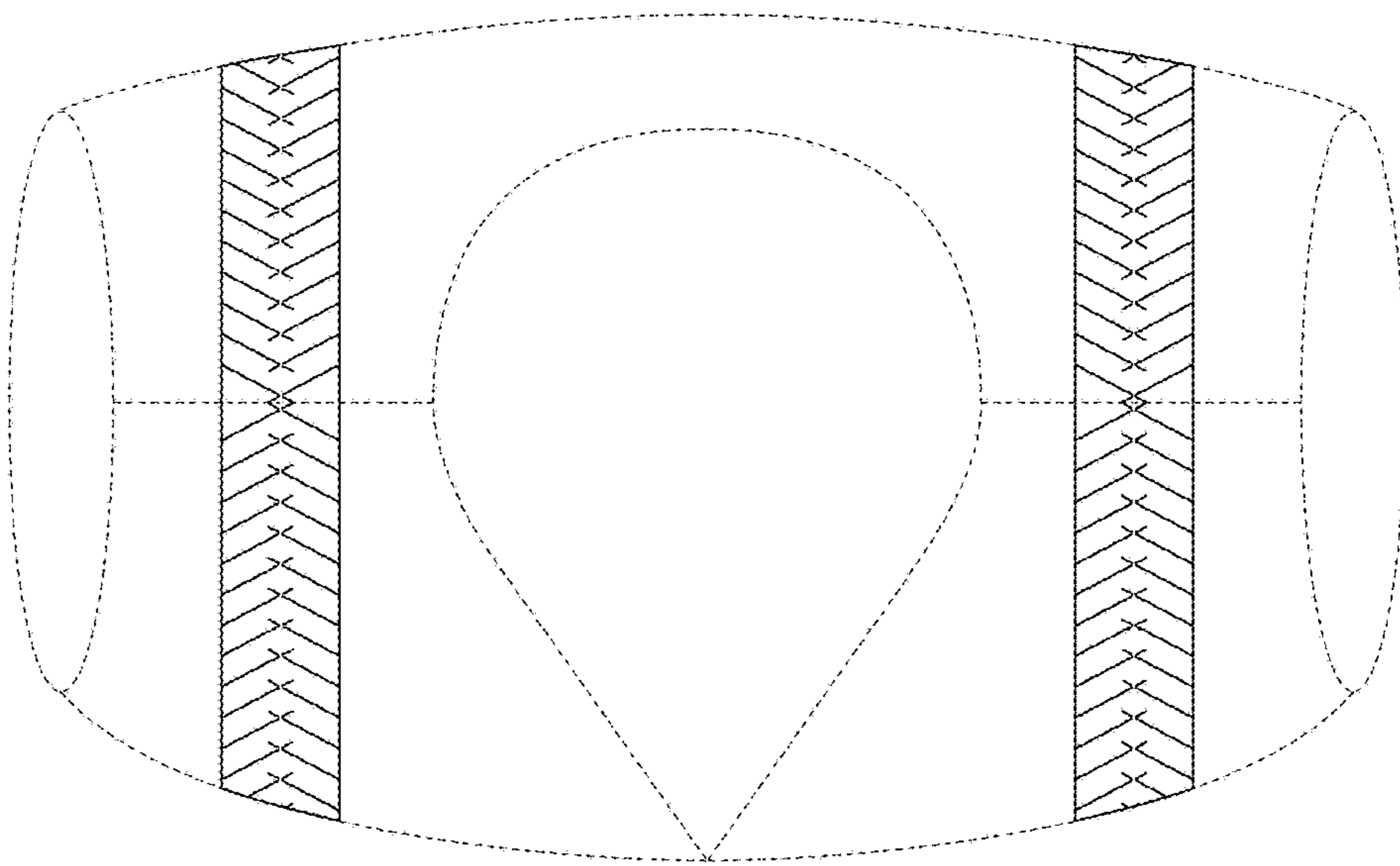


FIG. 6

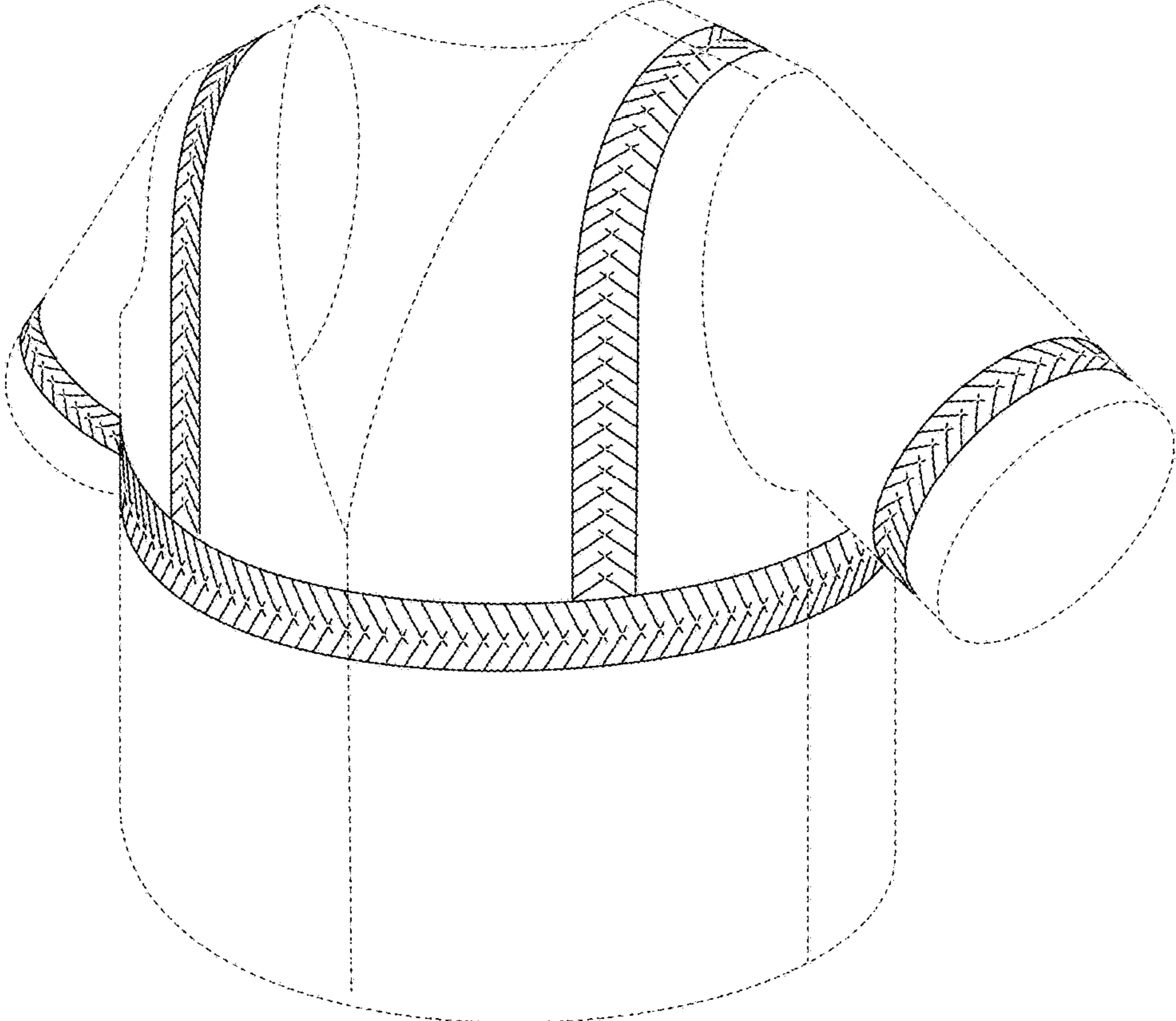


FIG. 7

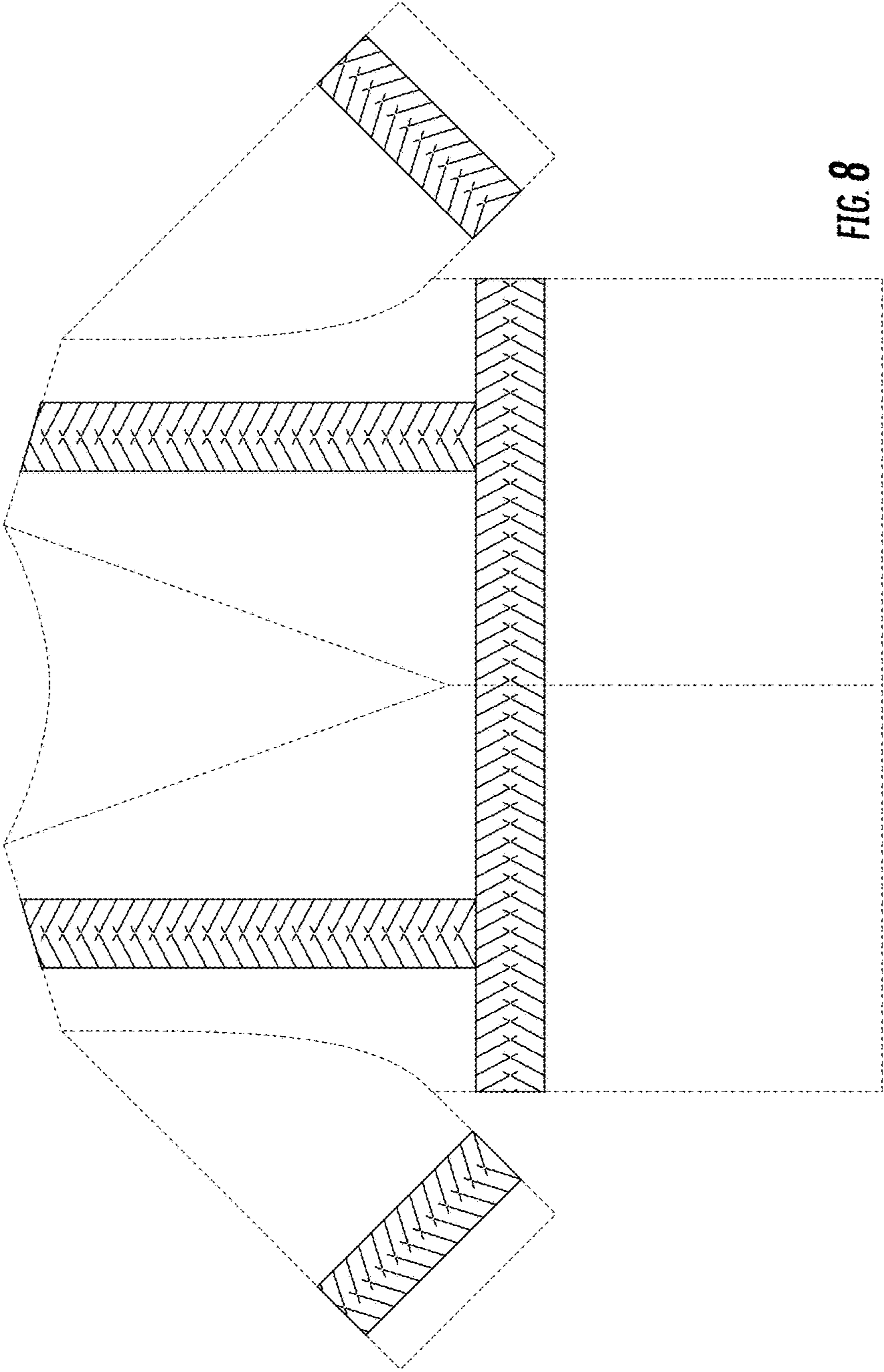


FIG. 8

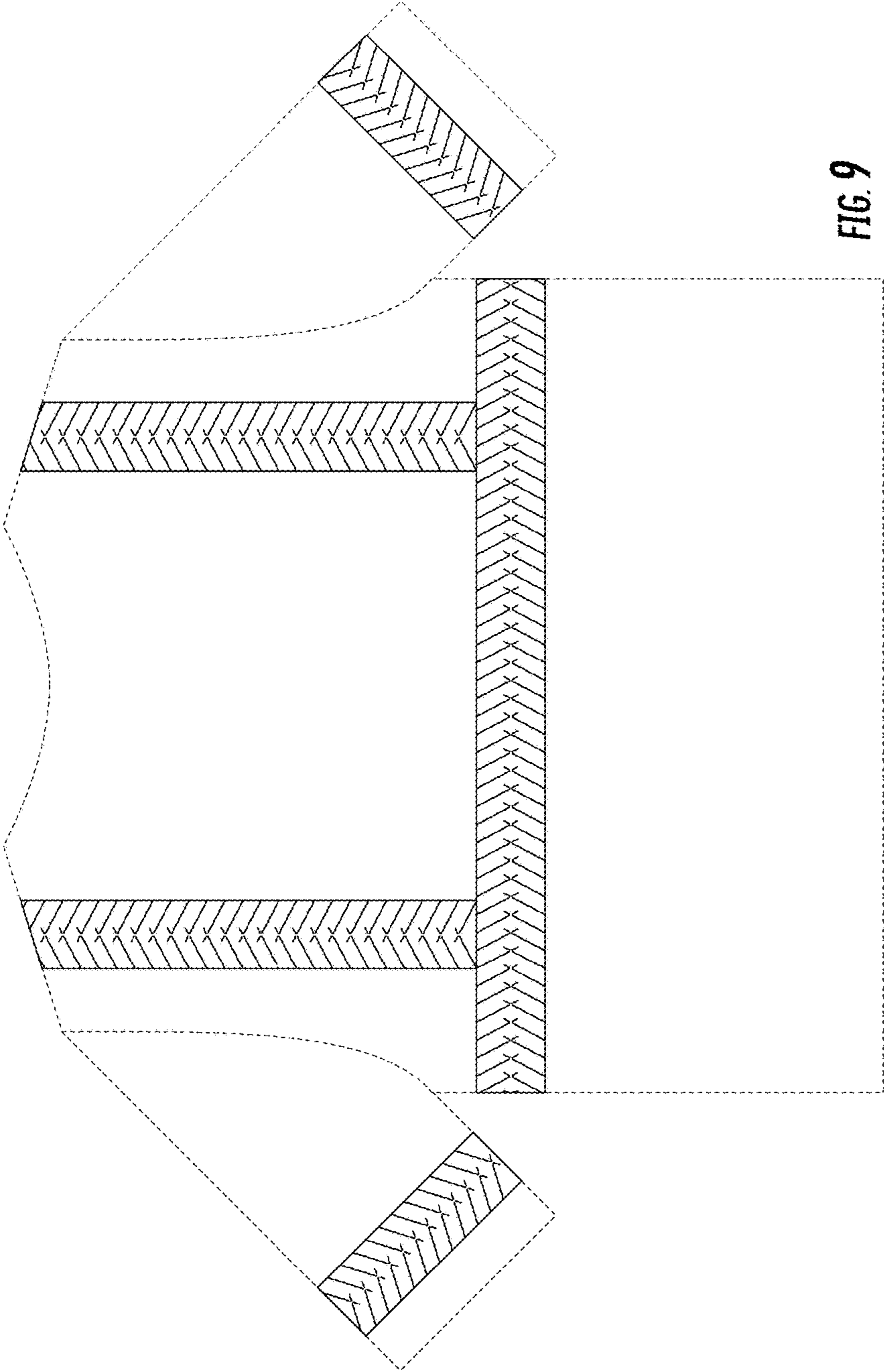


FIG. 9

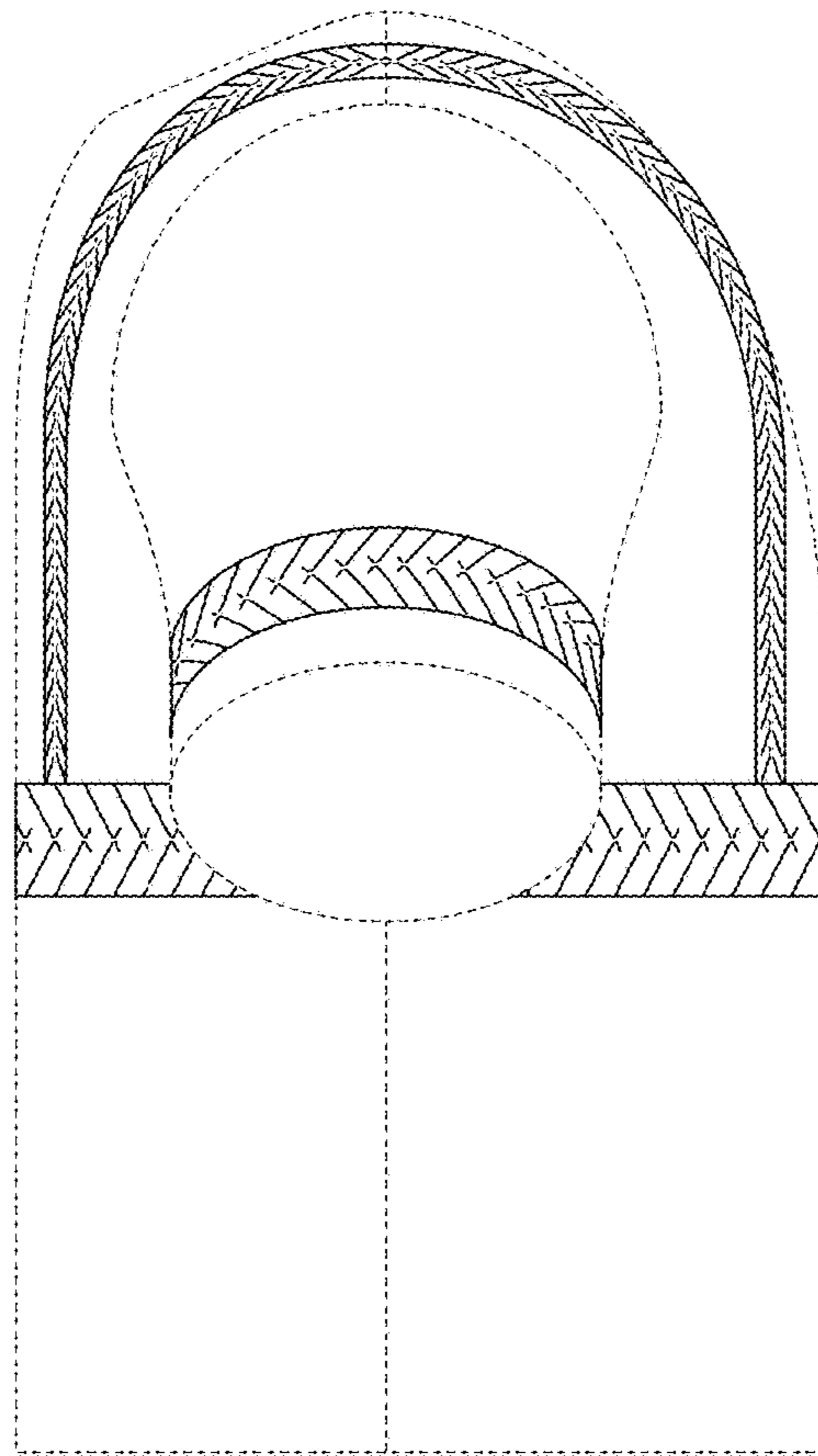


FIG. 10

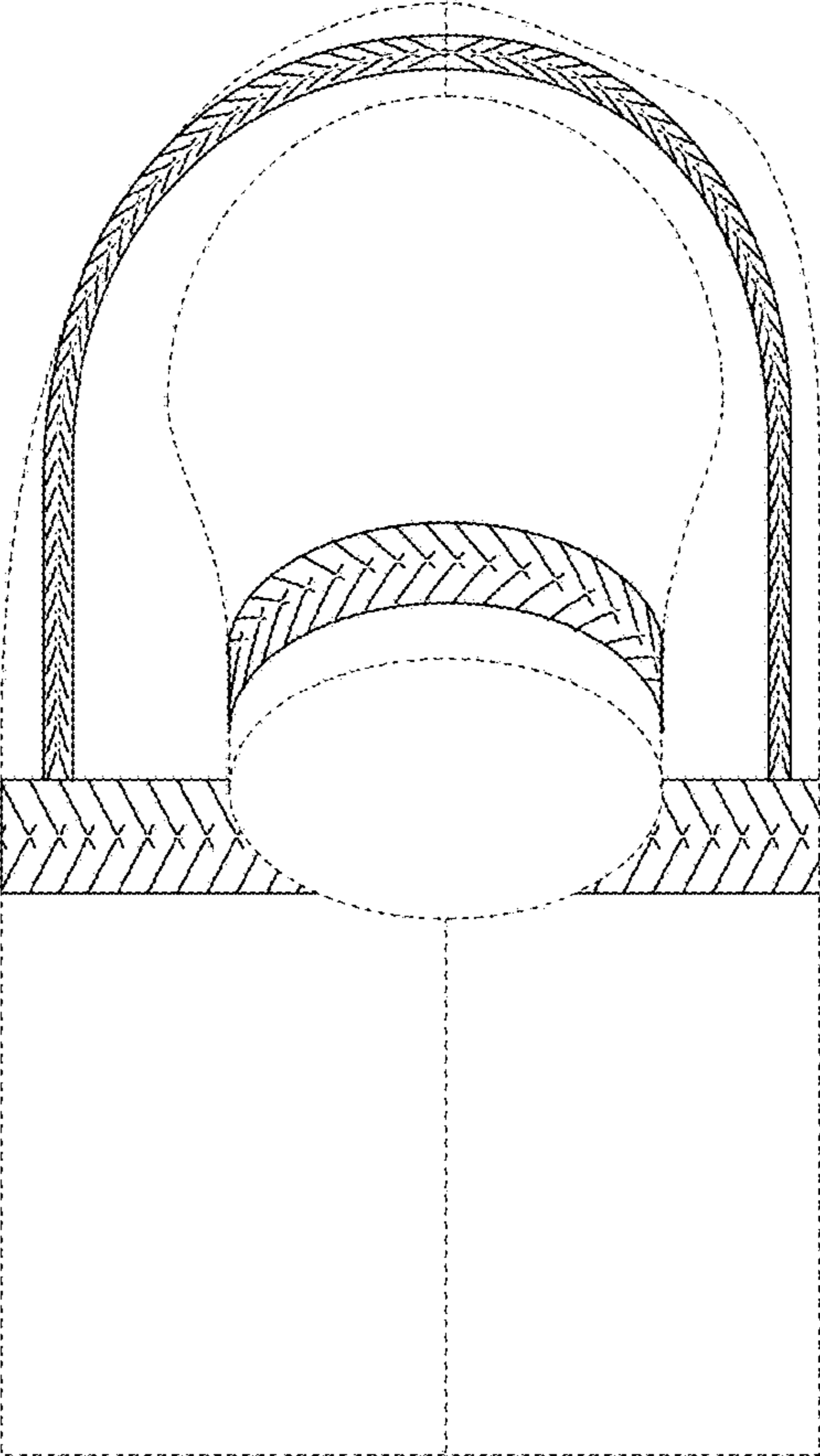


FIG. 11

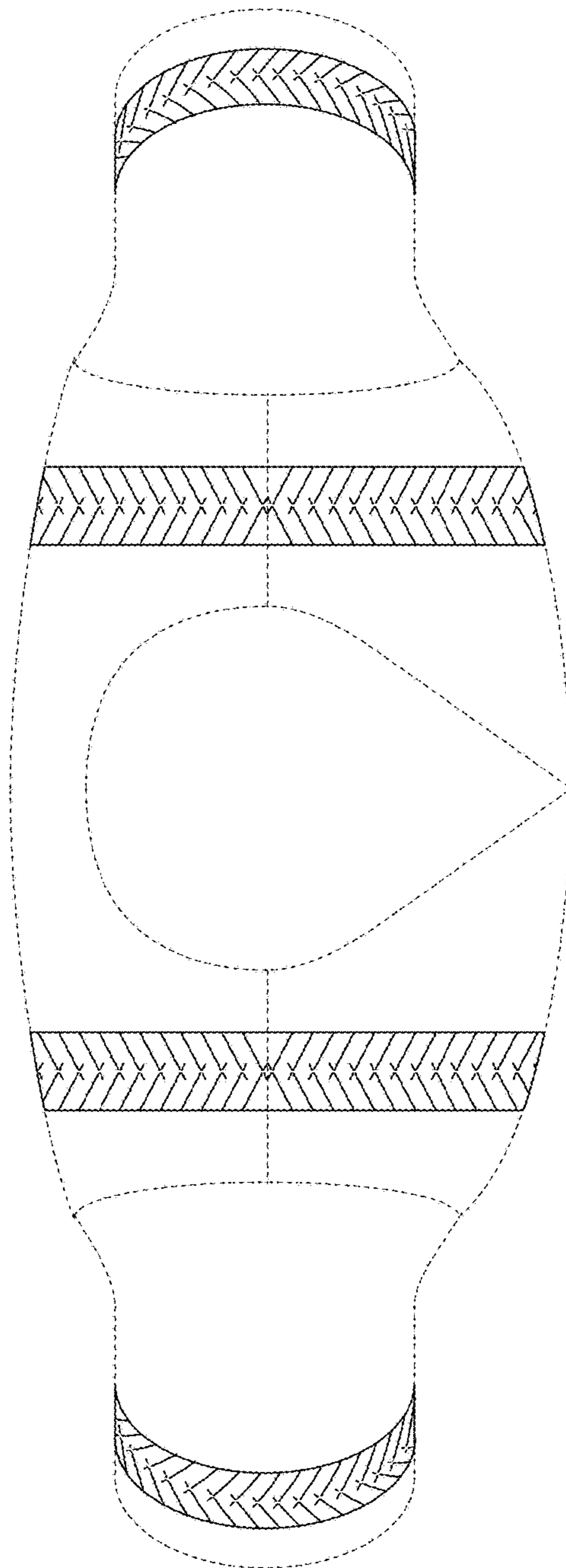


FIG. 12

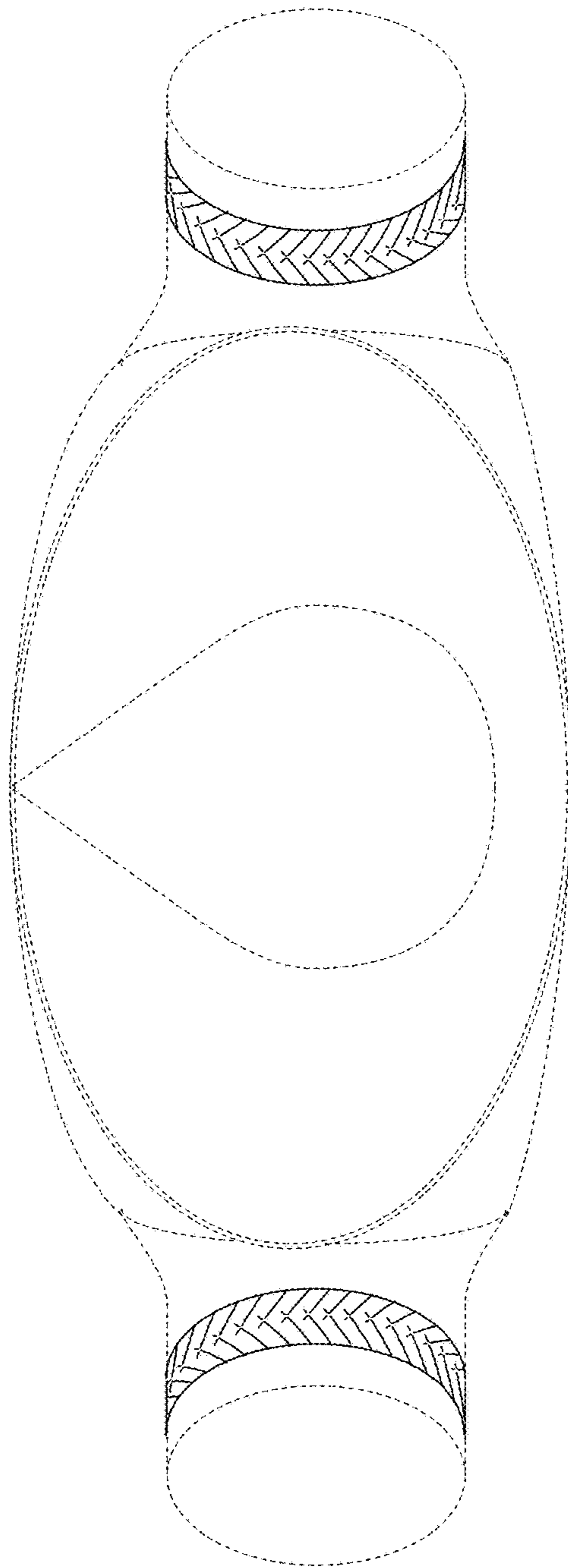


FIG. 13

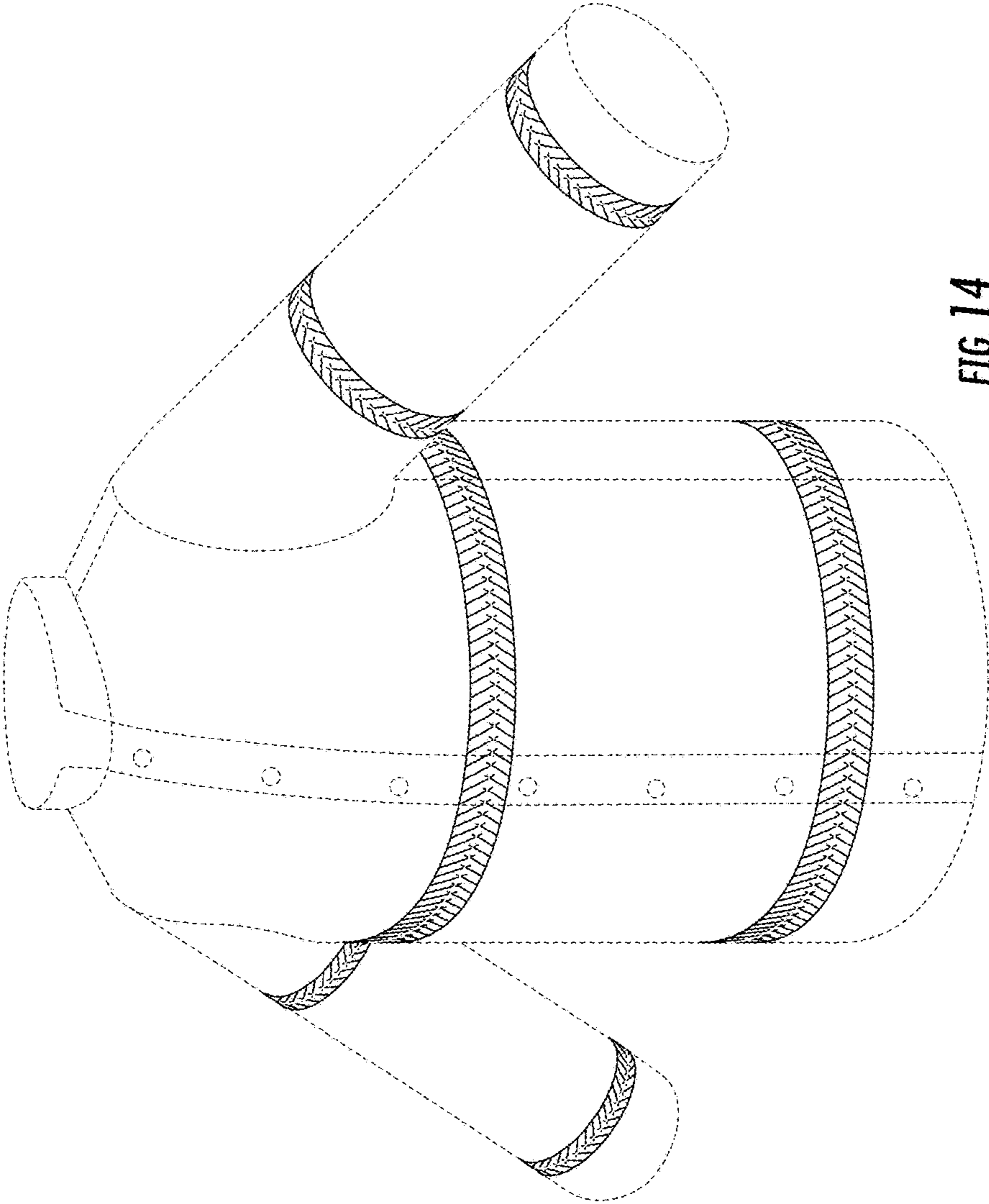


FIG. 14

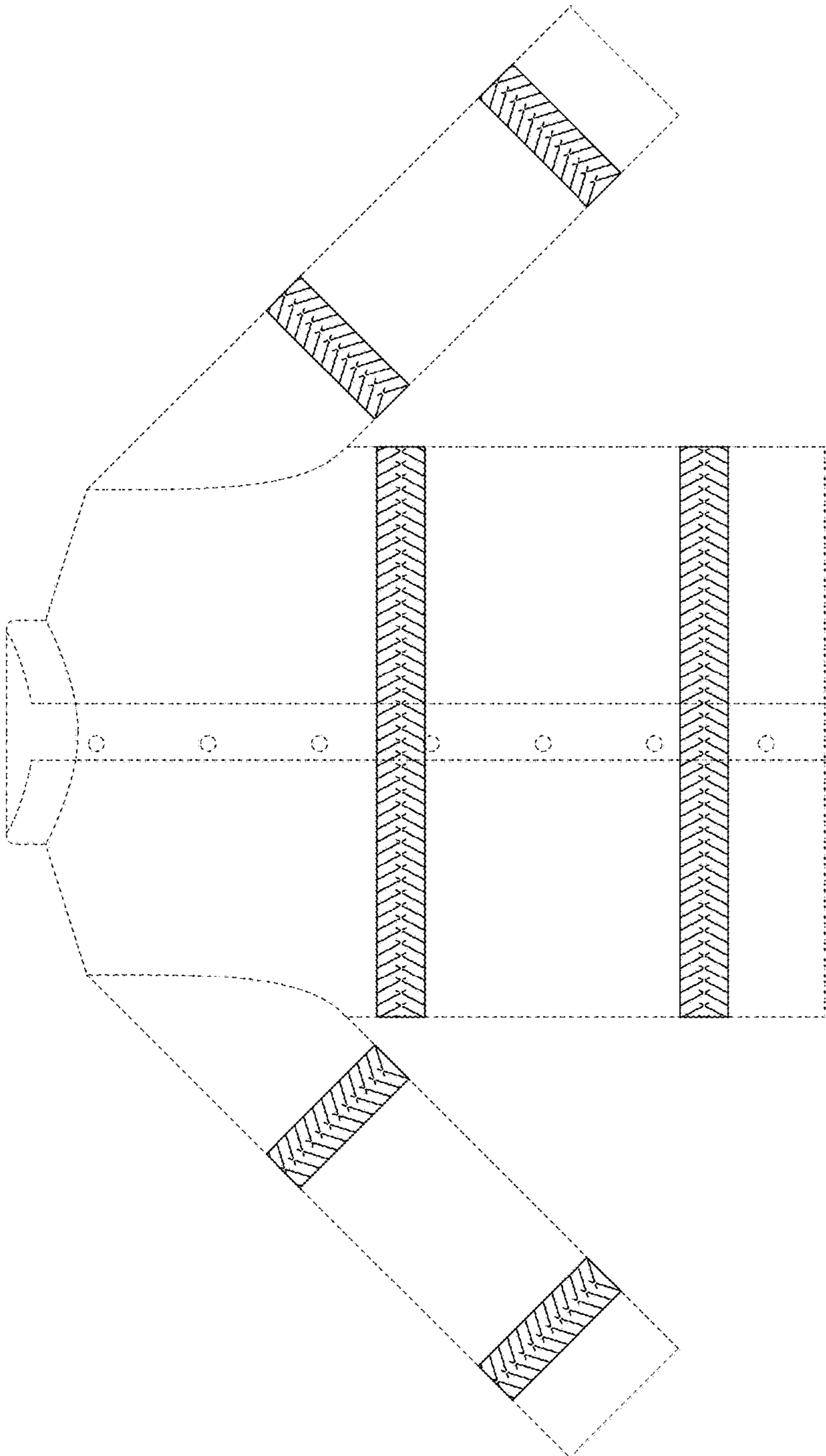


FIG. 15

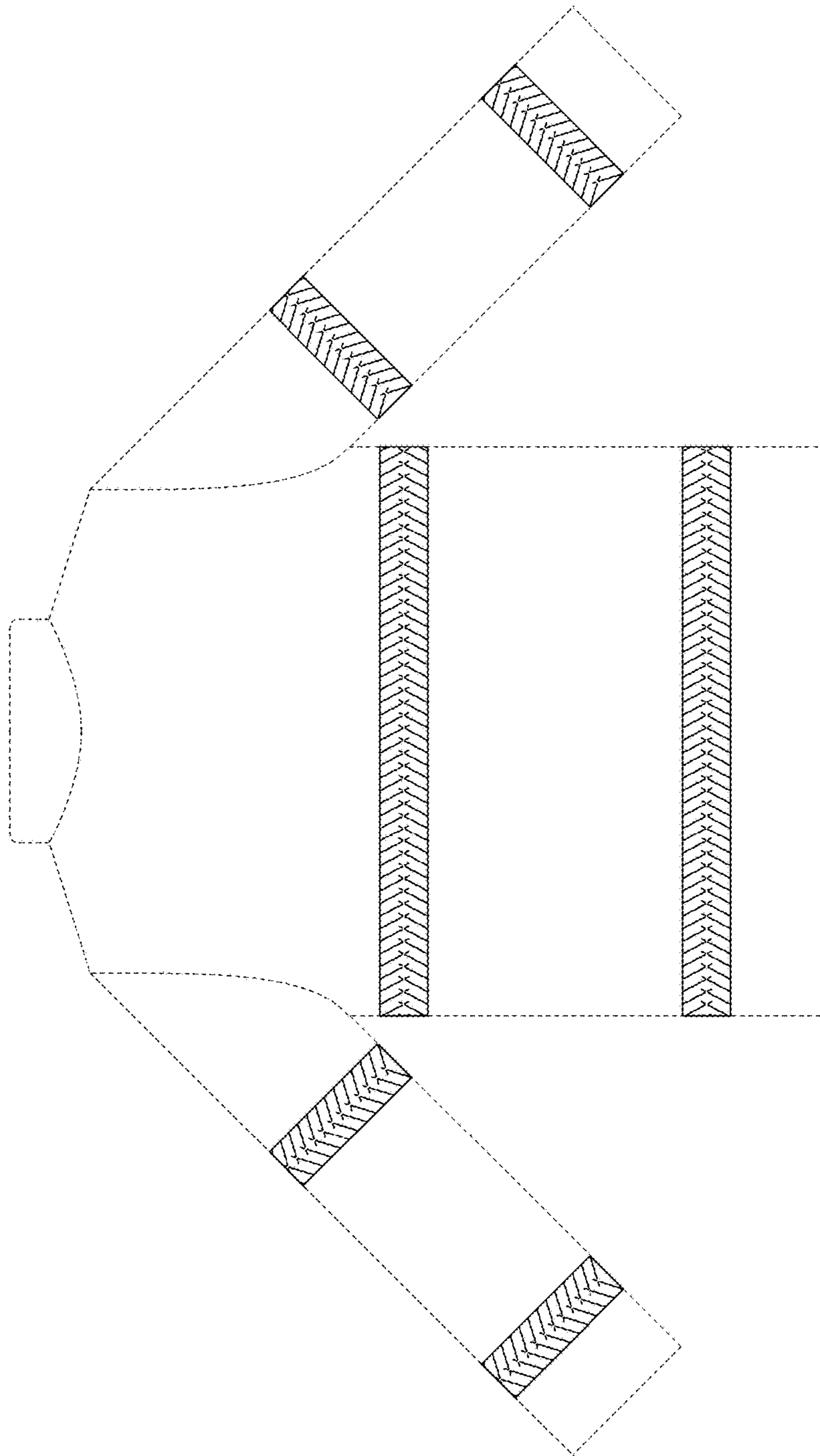


FIG. 16

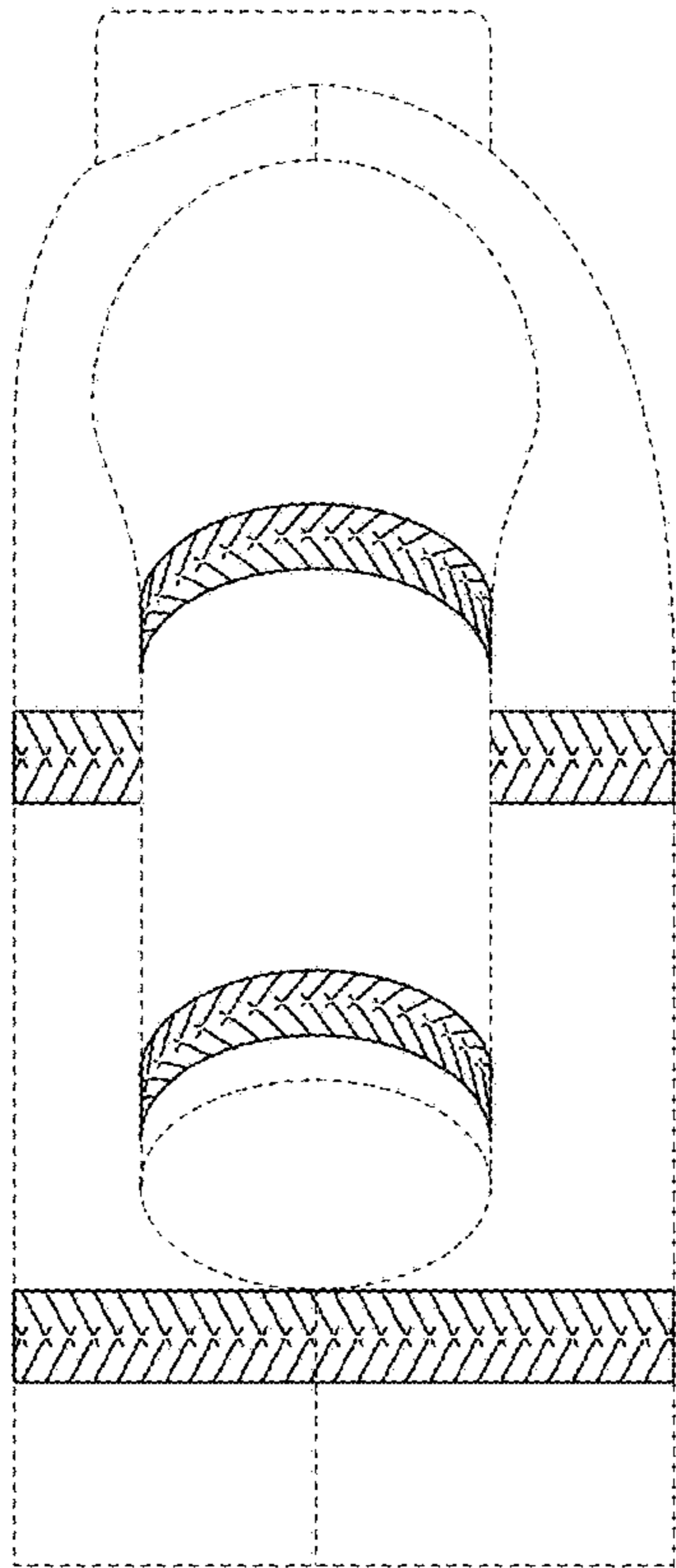


FIG. 17

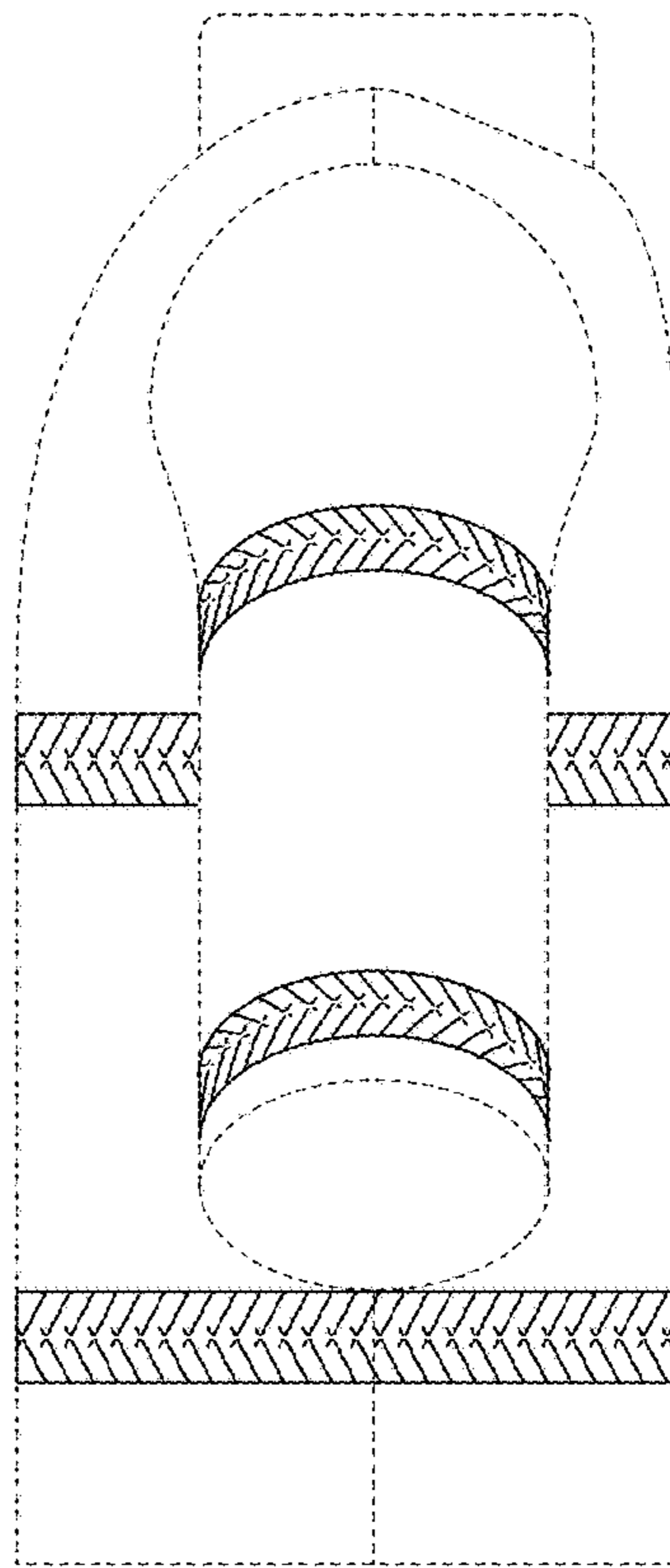


FIG. 18

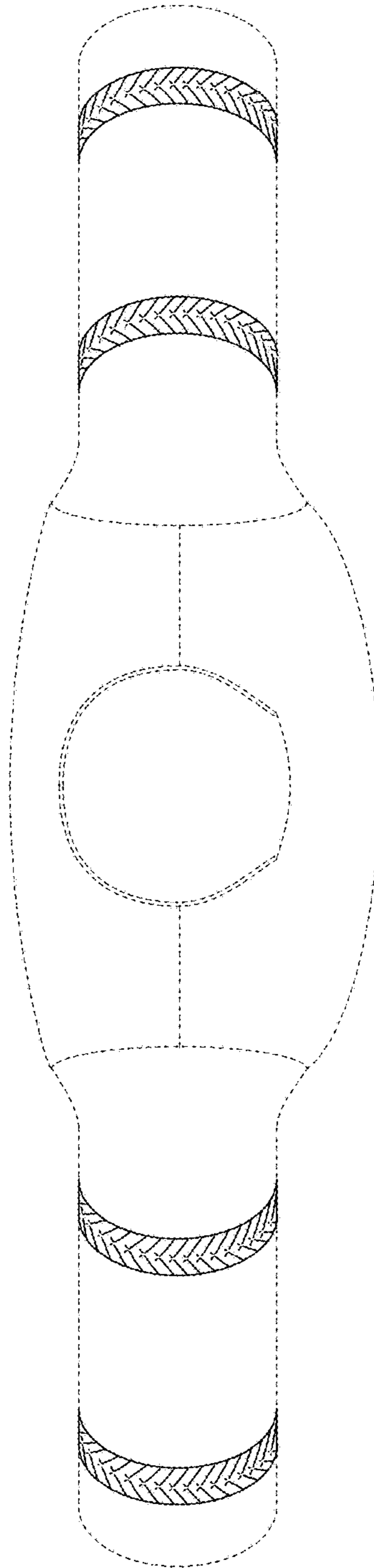


FIG. 19

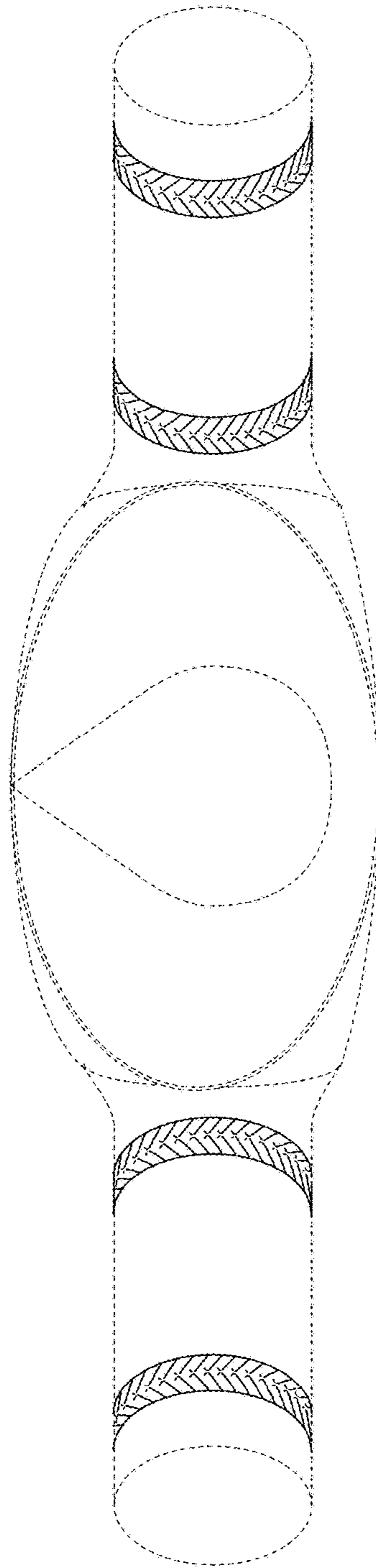


FIG. 20

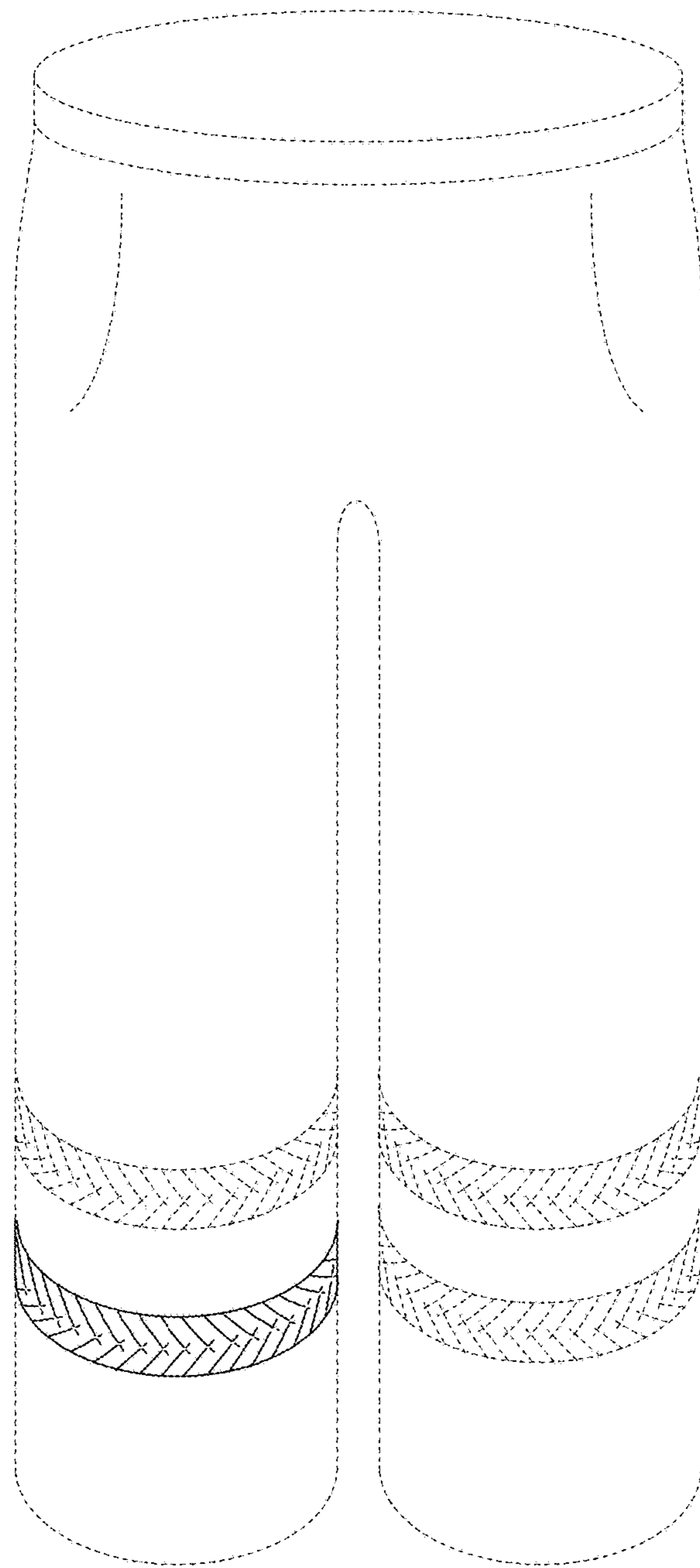


FIG. 21

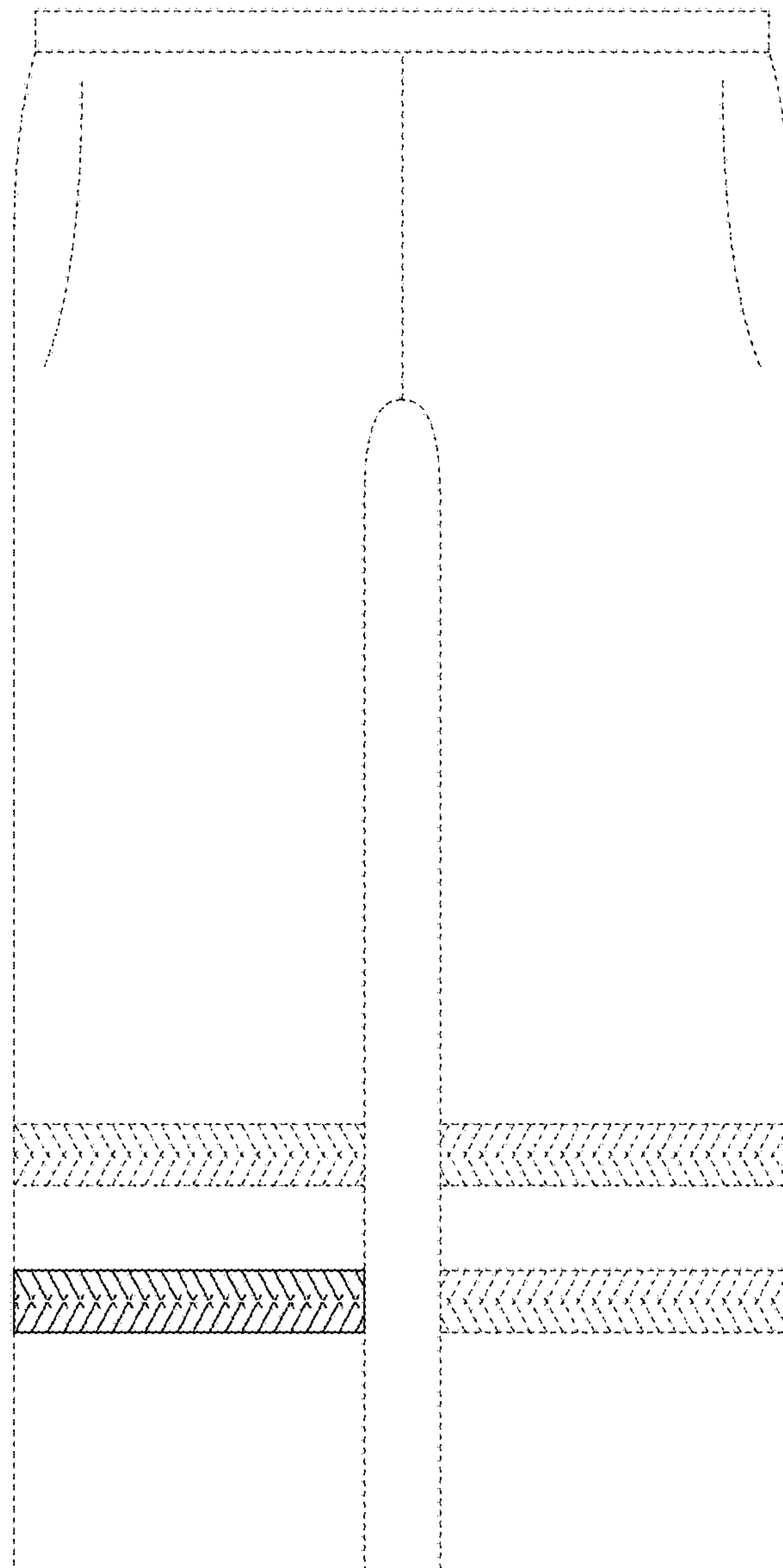


FIG. 22

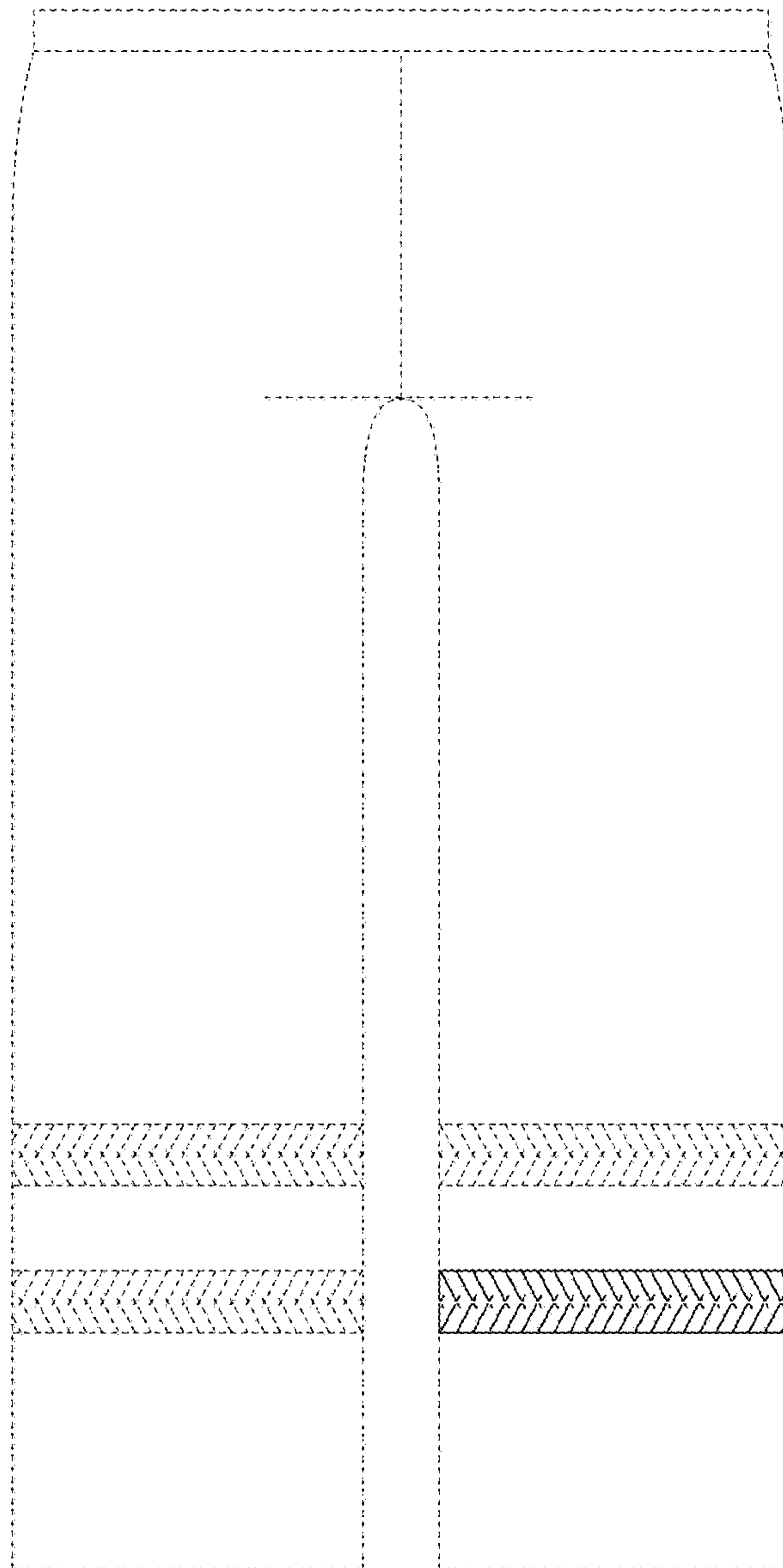


FIG. 23

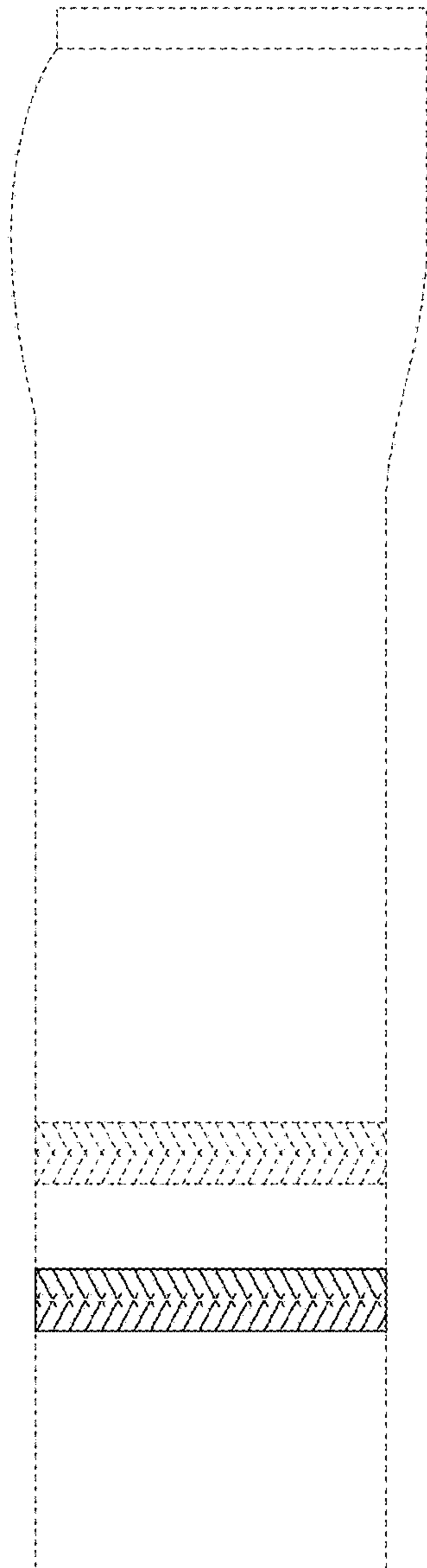


FIG. 24

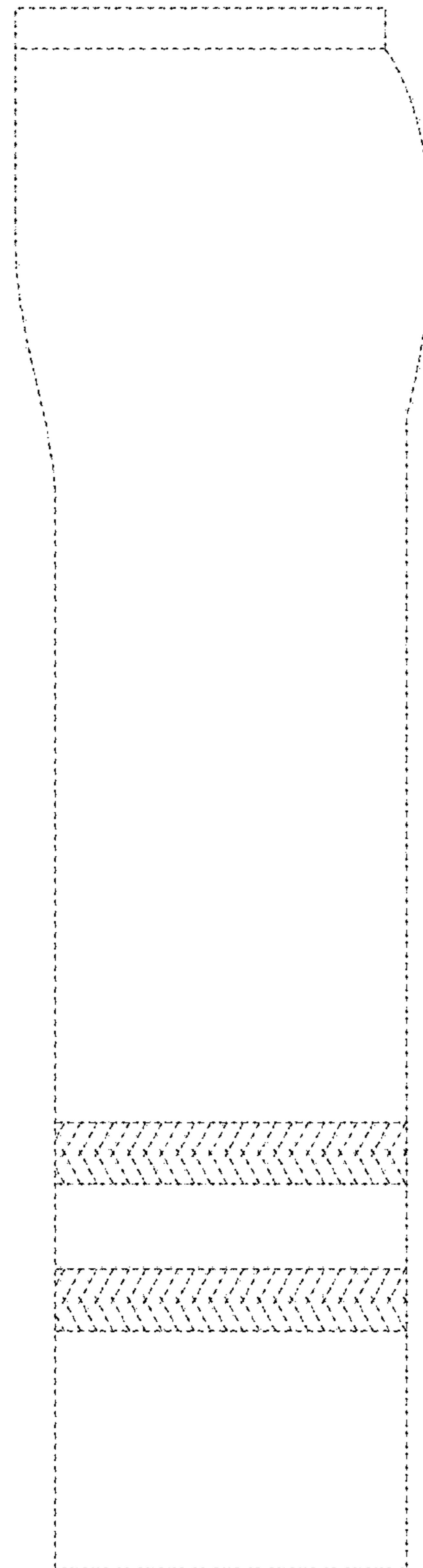


FIG. 25