



US00D838046S

(12) **United States Design Patent**
Chen

(10) **Patent No.:** **US D838,046 S**

(45) **Date of Patent:** **** Jan. 8, 2019**

(54) **DENTAL FLOSS PICK**

(71) Applicant: **Yi-Chung Chen**, Taipei (TW)

(72) Inventor: **Yi-Chung Chen**, Taipei (TW)

(**) Term: **15 Years**

(21) Appl. No.: **29/611,583**

(22) Filed: **Jul. 24, 2017**

(51) **LOC (11) Cl.** **28-03**

(52) **U.S. Cl.**
USPC **D28/65**

(58) **Field of Classification Search**
USPC D28/65, 66, 67, 68; D7/635, 636; D3/28
CPC A61C 15/02; A61C 15/00; A61C 15/04;
A61C 15/041; A61C 15/043; A61C
15/045; A61C 15/046; A61C 15/047;
A61C 15/048

See application file for complete search history.

(56) **References Cited**

U.S. PATENT DOCUMENTS

4,280,518	A	*	7/1981	Gambaro	A46B 1/00 132/323
D274,375	S	*	6/1984	Tomlin	D28/65
D276,088	S	*	10/1984	Fong	D28/68
D279,826	S	*	7/1985	Schindler	D28/68
D301,071	S	*	5/1989	Franchi	D28/65
D316,617	S	*	4/1991	Cheung	D28/68
D361,157	S	*	8/1995	Carl	D28/65
D382,367	S	*	8/1997	Andrade	D28/65
D521,737	S	*	5/2006	Siemer	D28/65
D571,043	S	*	6/2008	Crossman	D28/65
D578,254	S	*	10/2008	Grendol	D28/66
D612,104	S	*	3/2010	Chodorow	D28/65
D614,870	S	*	5/2010	Buda	D28/65
D618,396	S	*	6/2010	Volpenhein	D28/66
D637,762	S	*	5/2011	Nanda	D28/65
D640,833	S	*	6/2011	Kang	D28/68
D679,864	S	*	4/2013	Erskine-Smith	D28/66
D691,377	S	*	10/2013	Zarrabi	D28/68

D721,851	S	*	1/2015	Huang	D28/65
D750,326	S	*	2/2016	Lannie	D28/66
D760,959	S	*	7/2016	Xu	D28/66
D772,485	S	*	11/2016	Xu	D28/66
D772,486	S	*	11/2016	Xu	D28/66
D772,578	S	*	11/2016	Isaacs	D28/68
D774,253	S	*	12/2016	Oechslin	D28/66
D777,377	S	*	1/2017	Dudley	D28/65
D804,097	S	*	11/2017	Smith	D28/66
D812,816	S	*	3/2018	Hanson	D28/66
D814,704	S	*	4/2018	Triato	D28/66
D828,959	S	*	9/2018	Martone	D28/68

OTHER PUBLICATIONS

FDA approved plastic dental floss toothpick with interdental brush, posted Jan. 3, 2016 [online], retrieved Sep. 25, 2018, retrieved from internet, <https://www.alibaba.com/product-detail/FDA-approved-plastic-dental-floss-toothpick_60043701676.html>.*

* cited by examiner

Primary Examiner — Barbara Fox

Assistant Examiner — Messina L Smith

(74) *Attorney, Agent, or Firm* — Schmeiser, Olsen & Watts, LLP

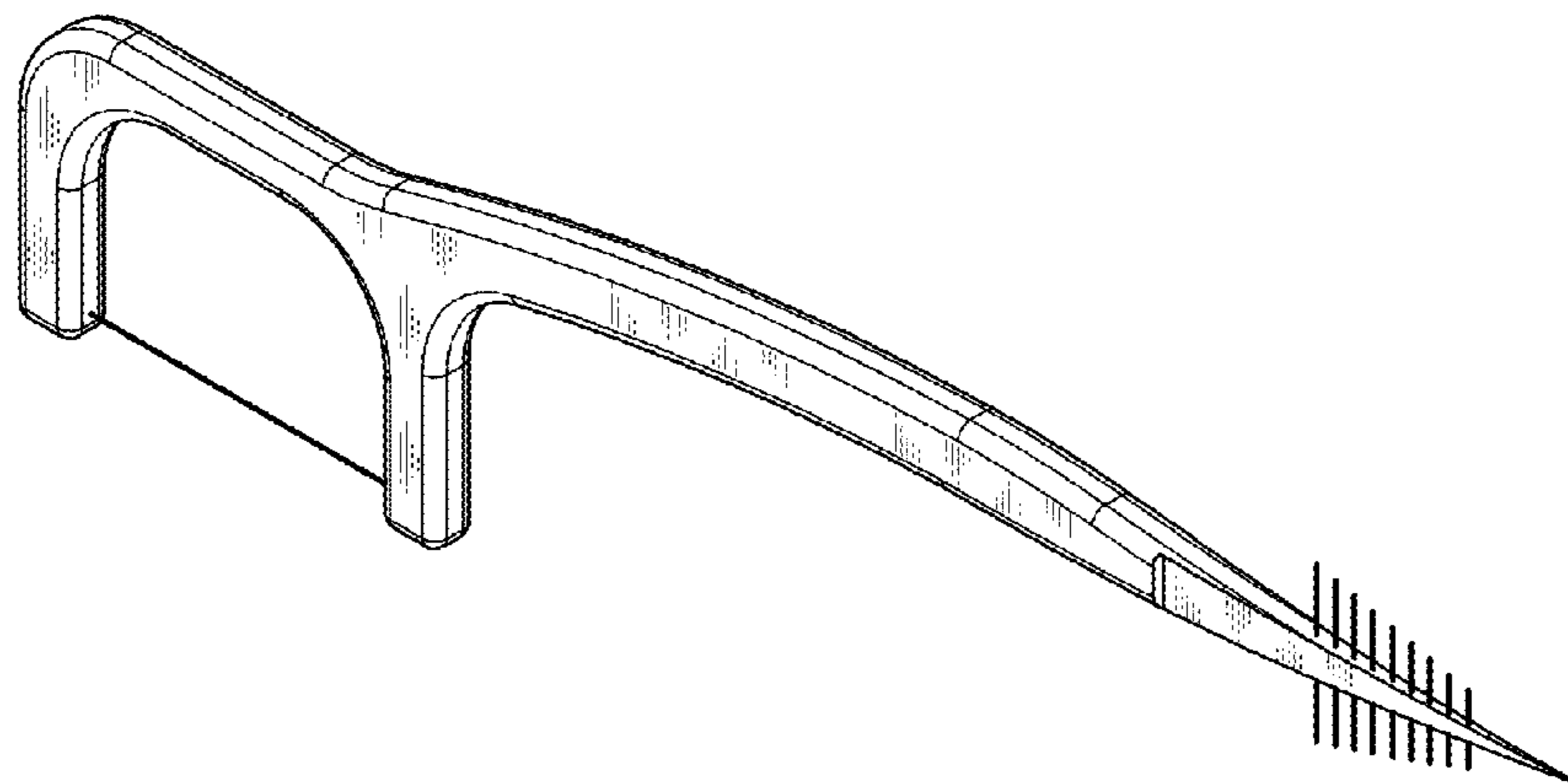
(57) **CLAIM**

The ornamental design for a dental floss pick, as shown and described.

DESCRIPTION

FIG. 1 is a perspective view of a dental floss pick showing my new design;
FIG. 2 is a front elevation view thereof;
FIG. 3 is a rear elevation view thereof;
FIG. 4 is a left side elevation view thereof;
FIG. 5 is a right side elevation view thereof;
FIG. 6 is a top plan view thereof; and,
FIG. 7 is a bottom plan view thereof.

1 Claim, 4 Drawing Sheets



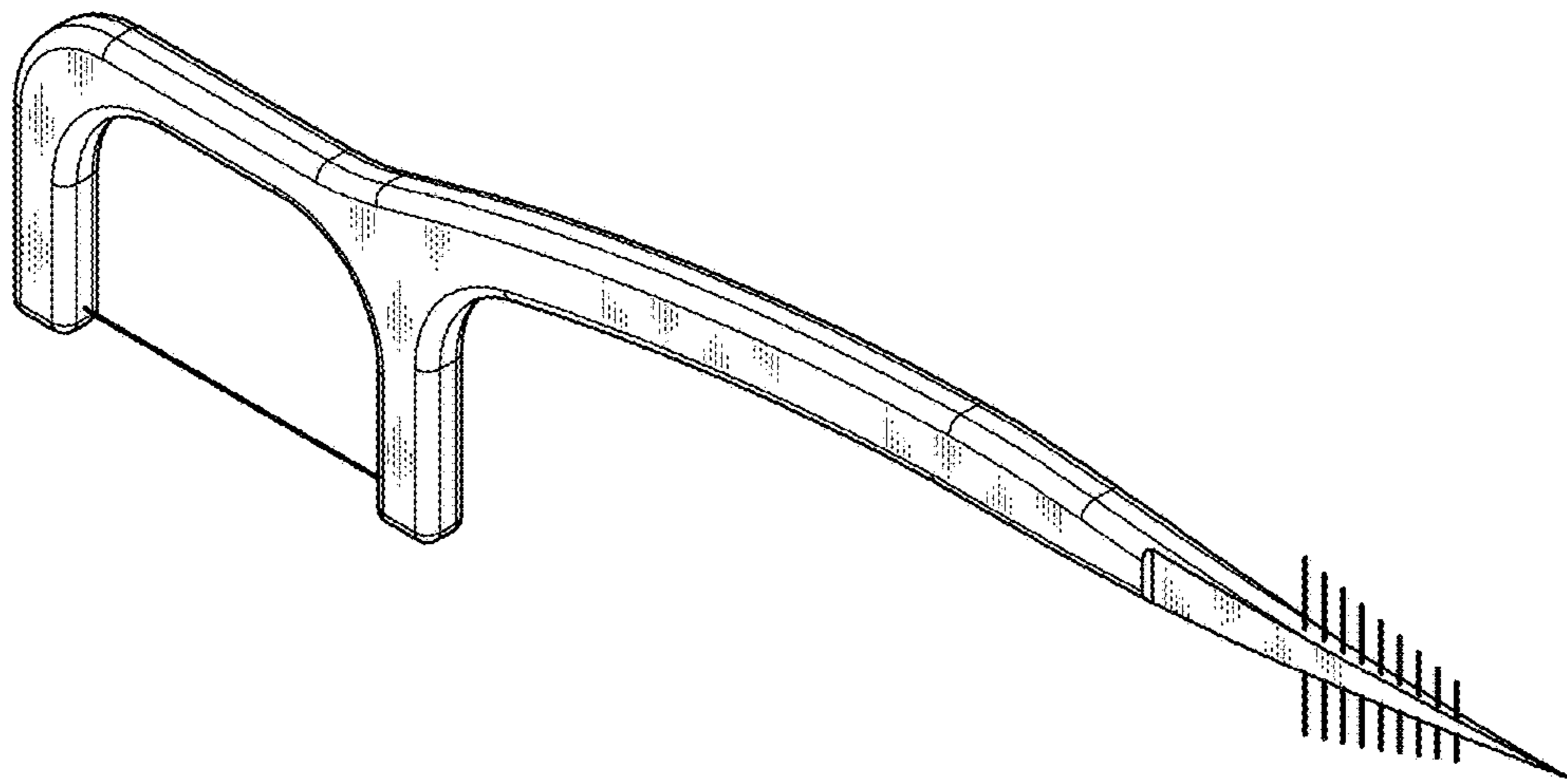


FIG. 1

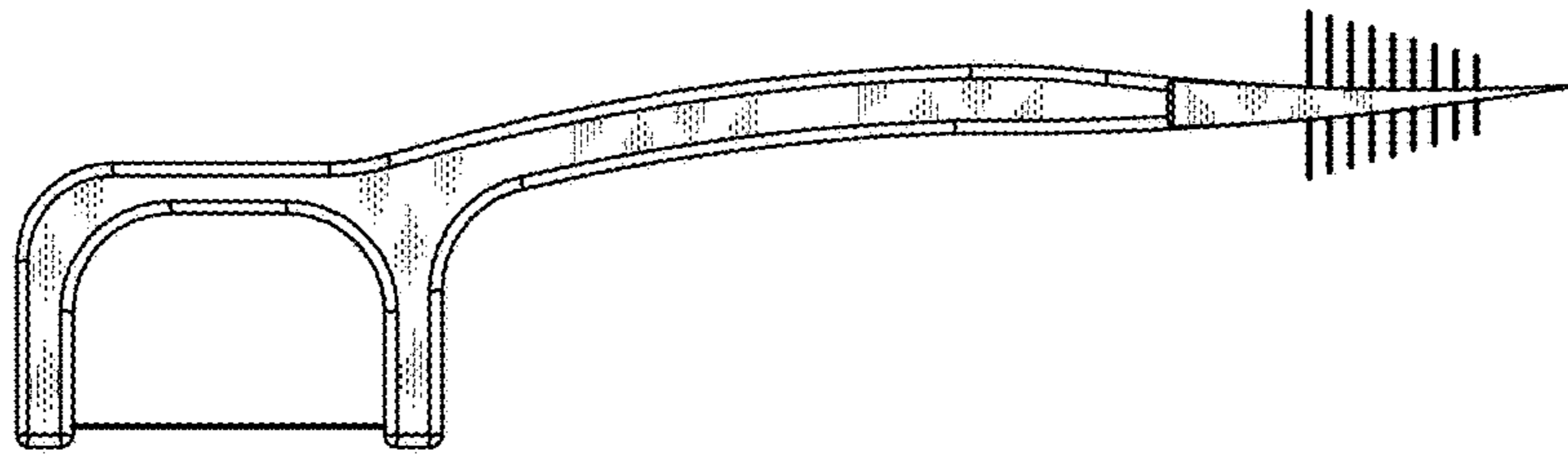


FIG. 2

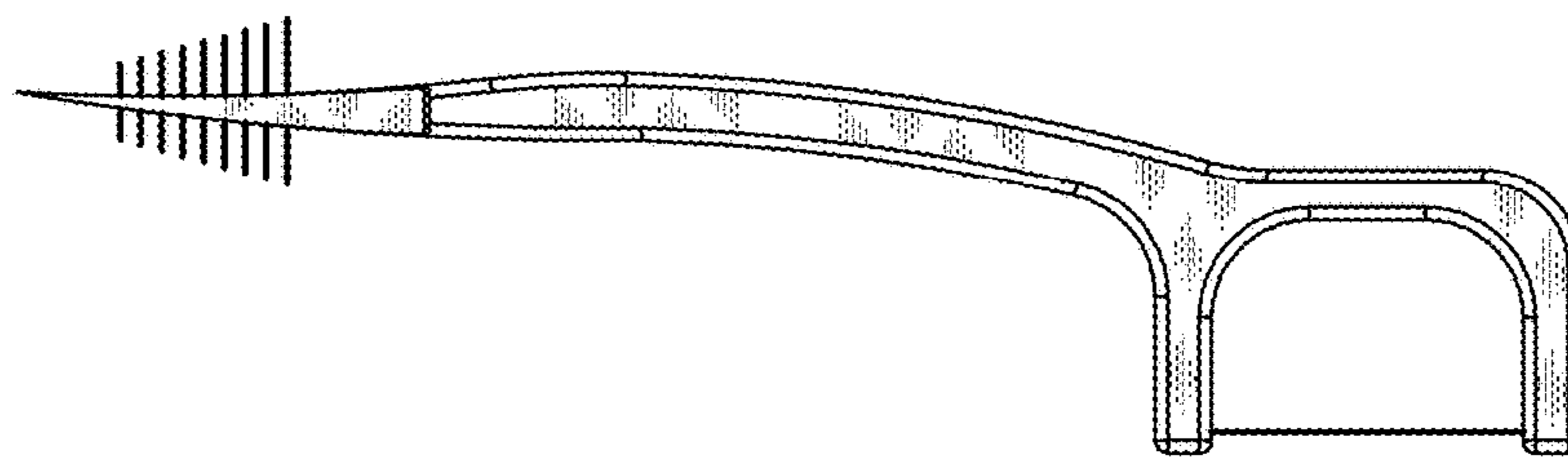


FIG. 3



FIG. 4



FIG. 5

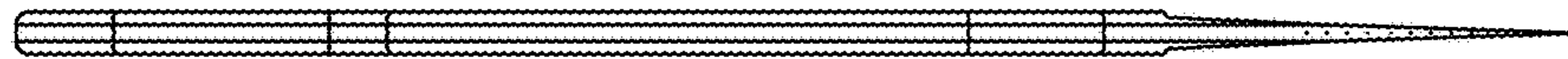


FIG. 6

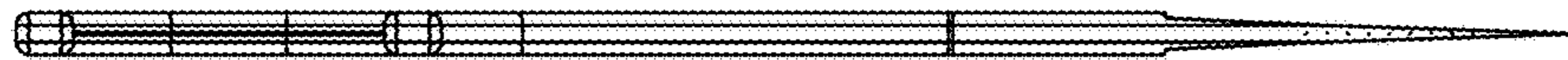


FIG. 7