



US00D838041S

(12) **United States Design Patent**
Filipponi

(10) **Patent No.:** **US D838,041 S**

(45) **Date of Patent:** **** Jan. 8, 2019**

(54) **RAZOR HANDLE**

(71) Applicant: **Raymond M. Filipponi**, Gibbstown, NJ
(US)

(72) Inventor: **Raymond M. Filipponi**, Gibbstown, NJ
(US)

(**) Term: **15 Years**

(21) Appl. No.: **29/627,846**

(22) Filed: **Nov. 30, 2017**

(51) **LOC (11) Cl.** **28-03**

(52) **U.S. Cl.**
USPC **D28/48**

(58) **Field of Classification Search**
USPC D28/46-48
CPC B26B 21/52-21/528; B26B 21/00-21/06;
B26B 21/08-21/38
See application file for complete search history.

(56) **References Cited**

U.S. PATENT DOCUMENTS

D302,740 S *	8/1989	Iwai	D28/48
D311,784 S *	10/1990	Schwartz	D28/48
4,984,365 A *	1/1991	Leonard	B26B 21/00 30/34.05
D377,981 S *	2/1997	Schneider	D28/44.1
5,604,983 A *	2/1997	Simms	B26B 21/20 30/49
D381,768 S *	7/1997	Shurtleff	D28/48

D626,692 S *	11/2010	Leventhal	D28/44.1
D818,646 S *	5/2018	Szymanski	D28/51
2018/0142141 A1 *	5/2018	Xiao	C09K 9/02

* cited by examiner

Primary Examiner — Jennifer Rivard

(74) *Attorney, Agent, or Firm* — Stuart M. Goldstein

(57) **CLAIM**

The ornamental design for a razor handle, as shown and described.

DESCRIPTION

FIG. 1 is a front perspective view of the razor handle of the present invention.

FIG. 2 is a rear perspective view of the razor handle of the present invention.

FIG. 3 is a top view of the razor handle of the present invention.

FIG. 4 is a bottom view of the razor handle of the present invention.

FIG. 5 is an elevation view of the razor handle of the present invention.

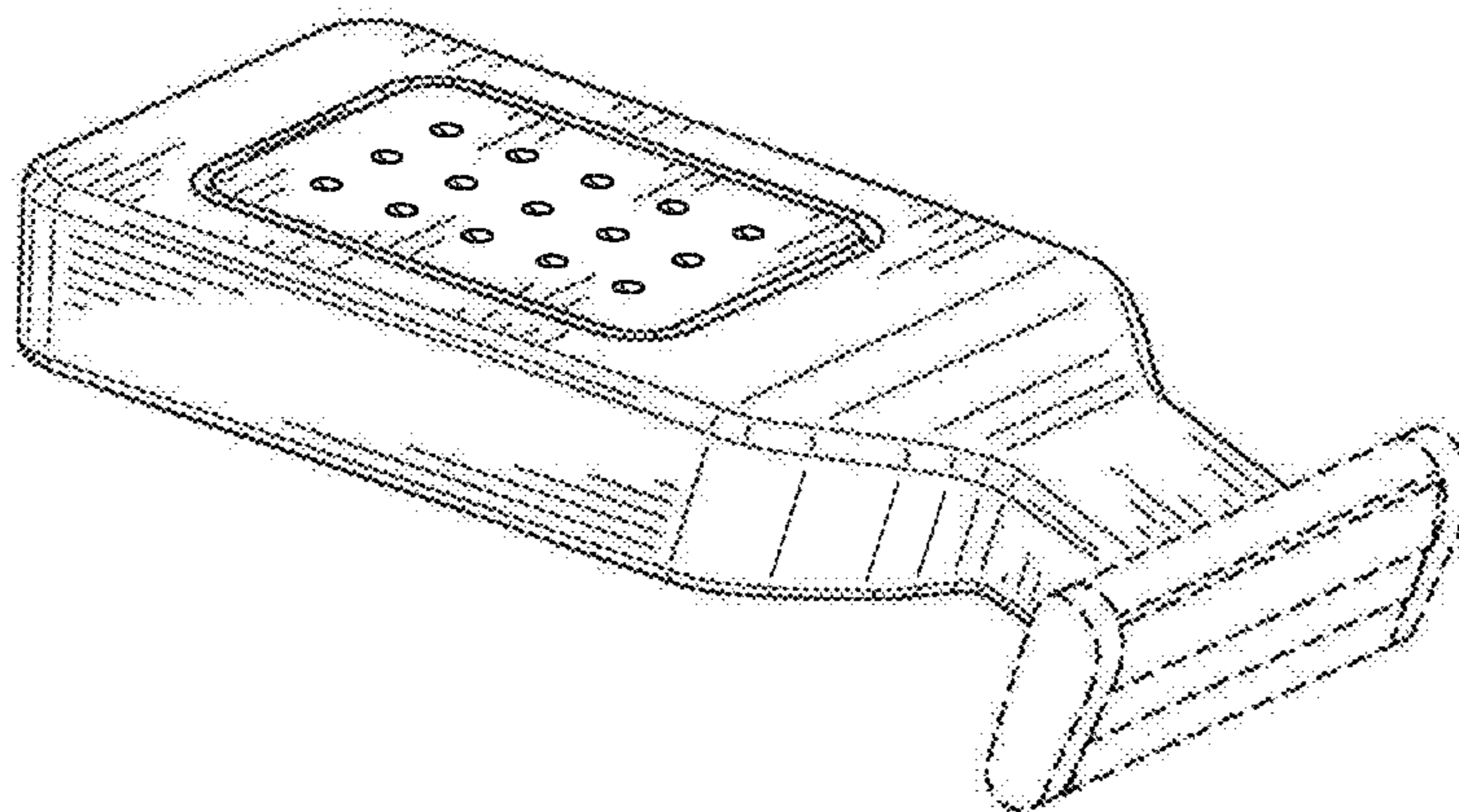
FIG. 6 is the opposite elevation view of the razor handle of the present invention.

FIG. 7 is a front view of the razor handle of the present invention; and,

FIG. 8 is a rear view of the razor handle of the present invention.

The broken lines illustrate the environment of the razor handle and form no part of the claimed design.

1 Claim, 5 Drawing Sheets



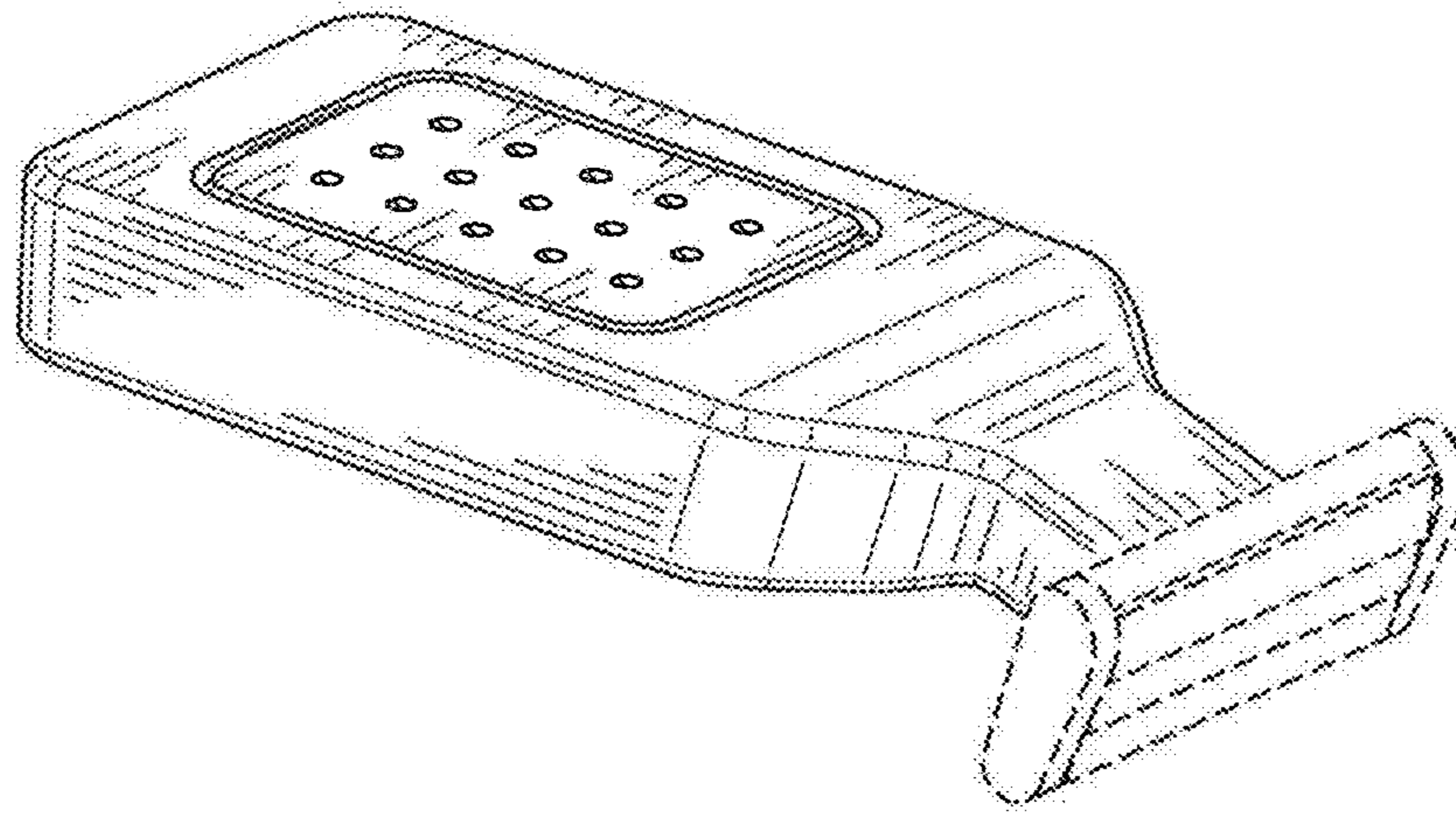


FIG. 1

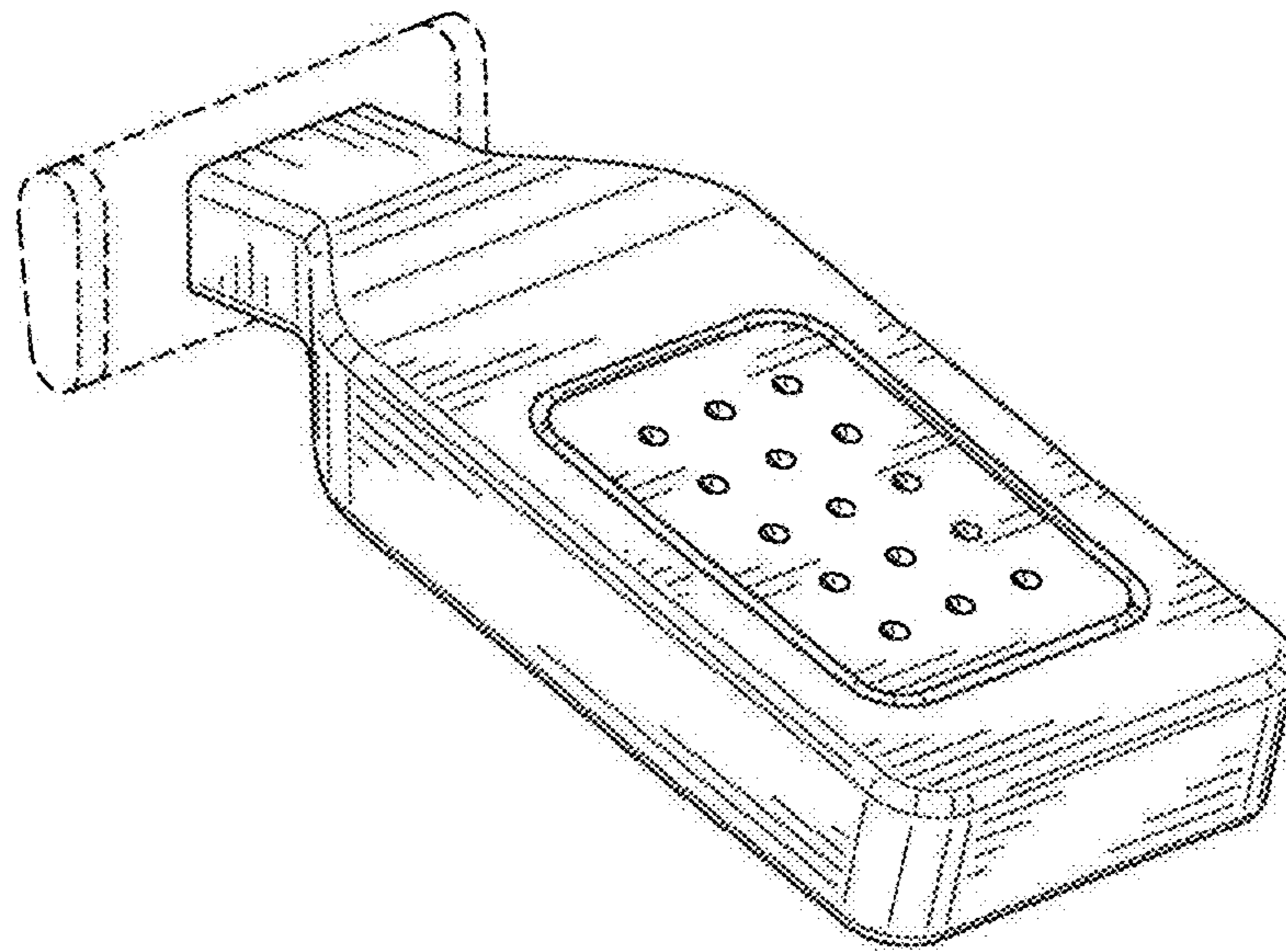


FIG. 2

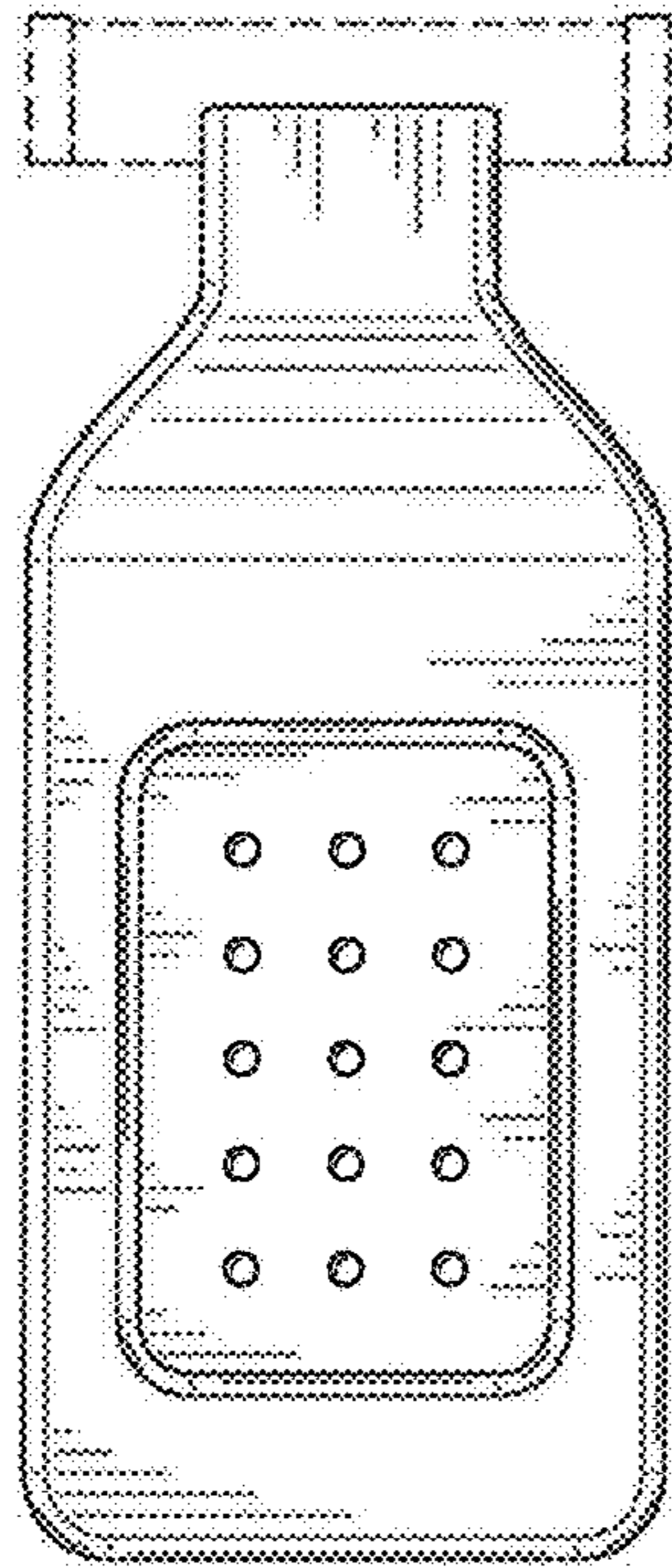


FIG. 3

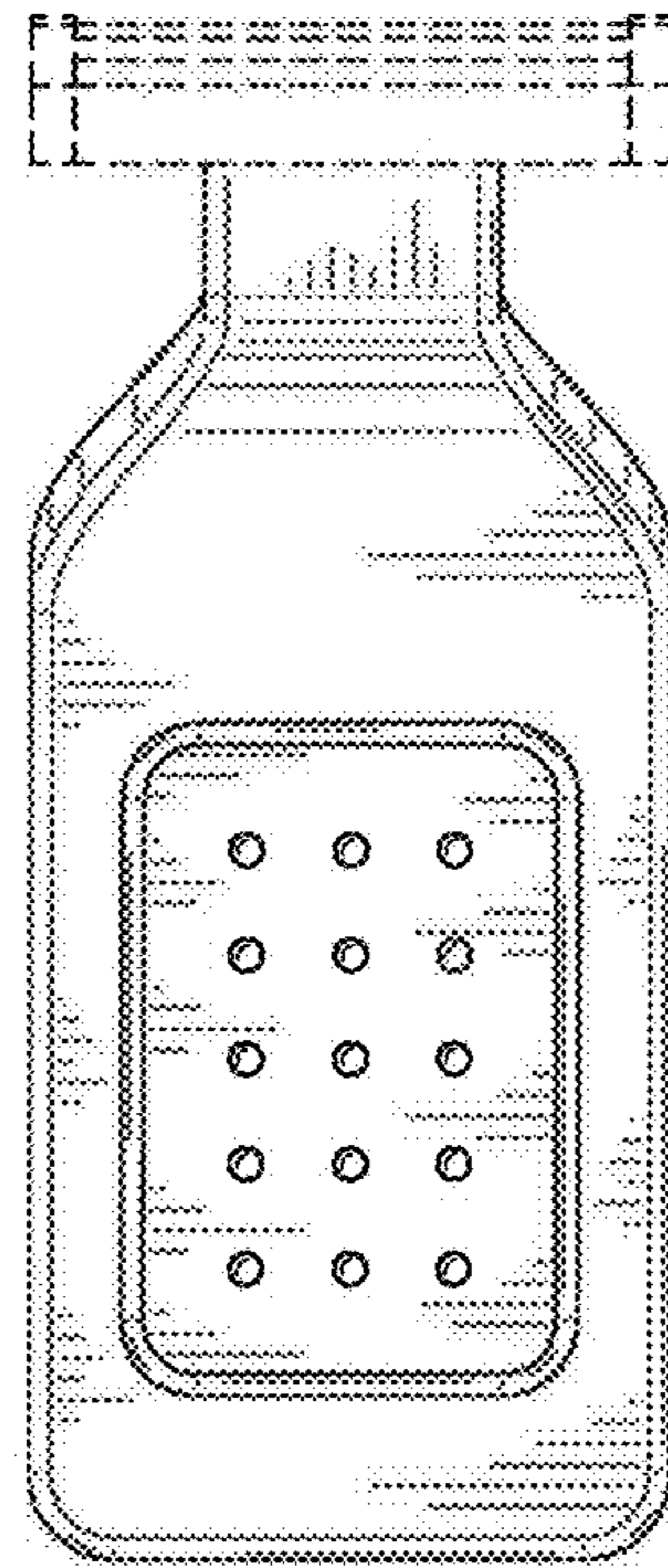


FIG. 4

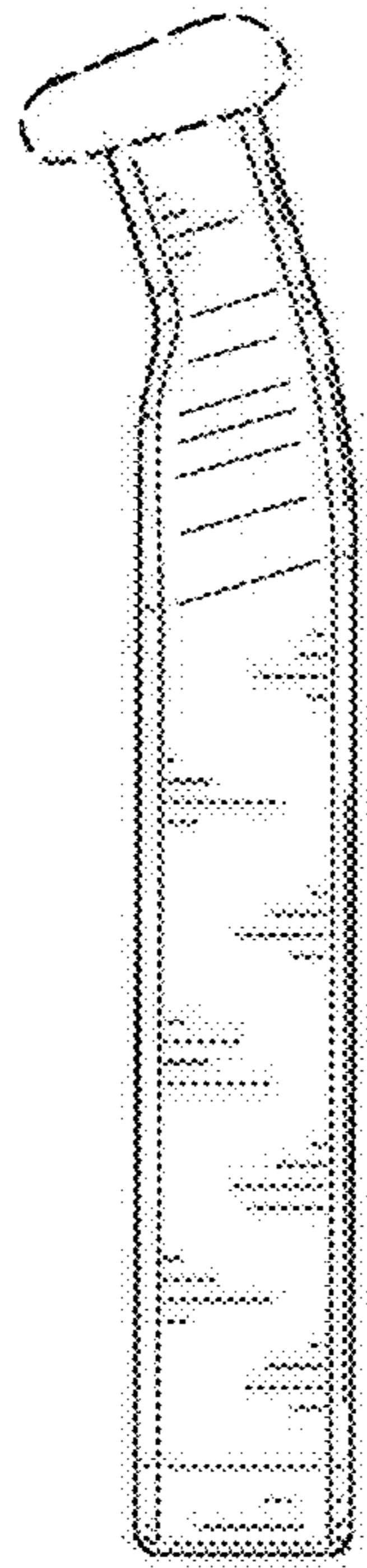


FIG. 5

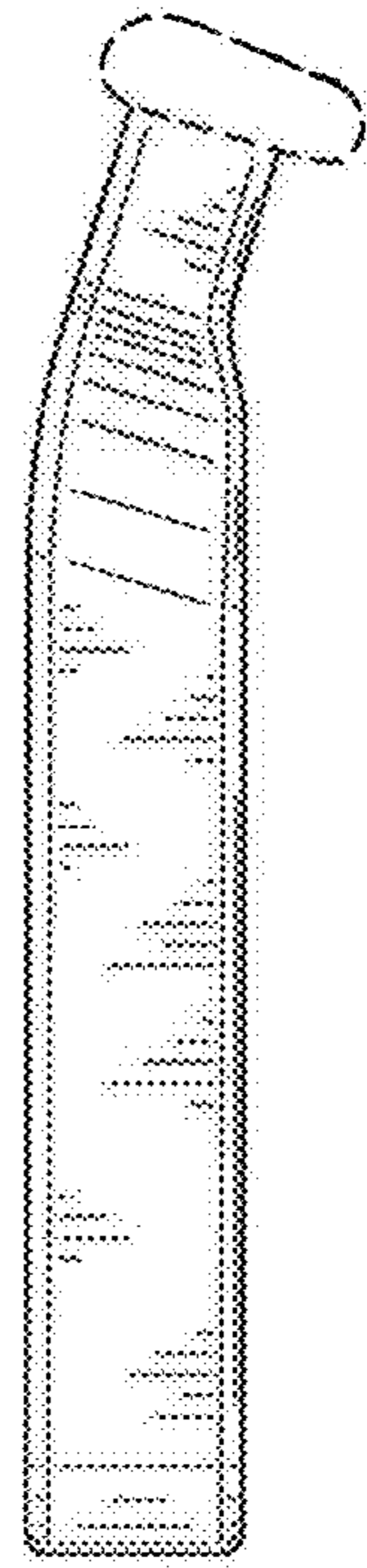


FIG. 6

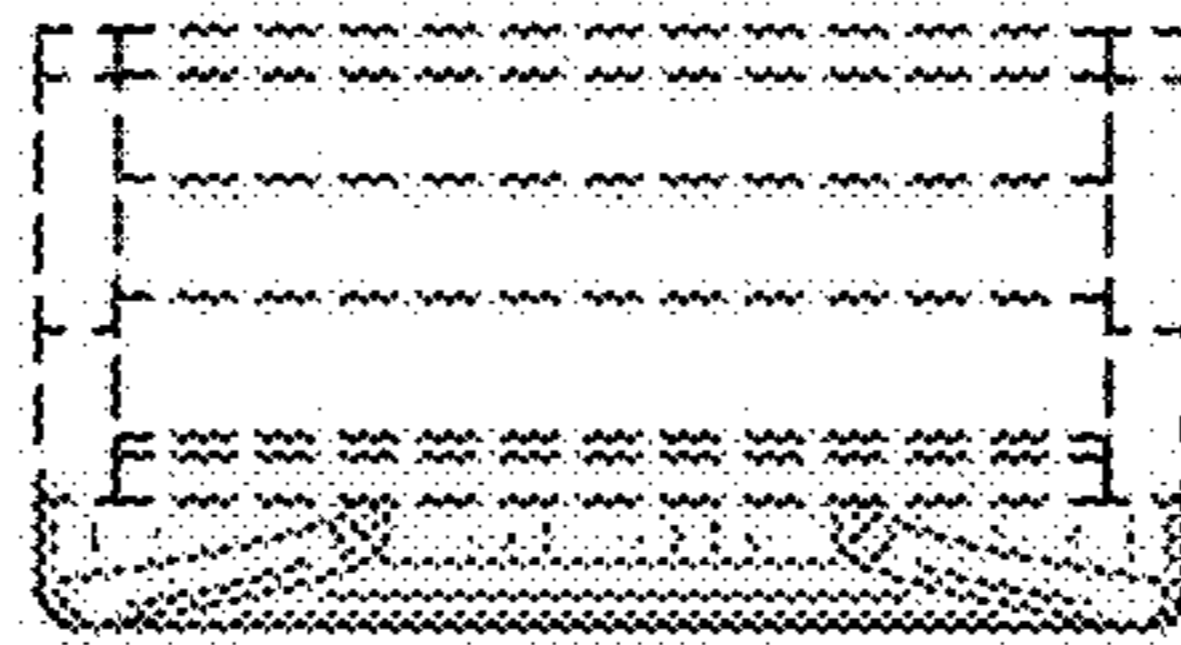


FIG. 7

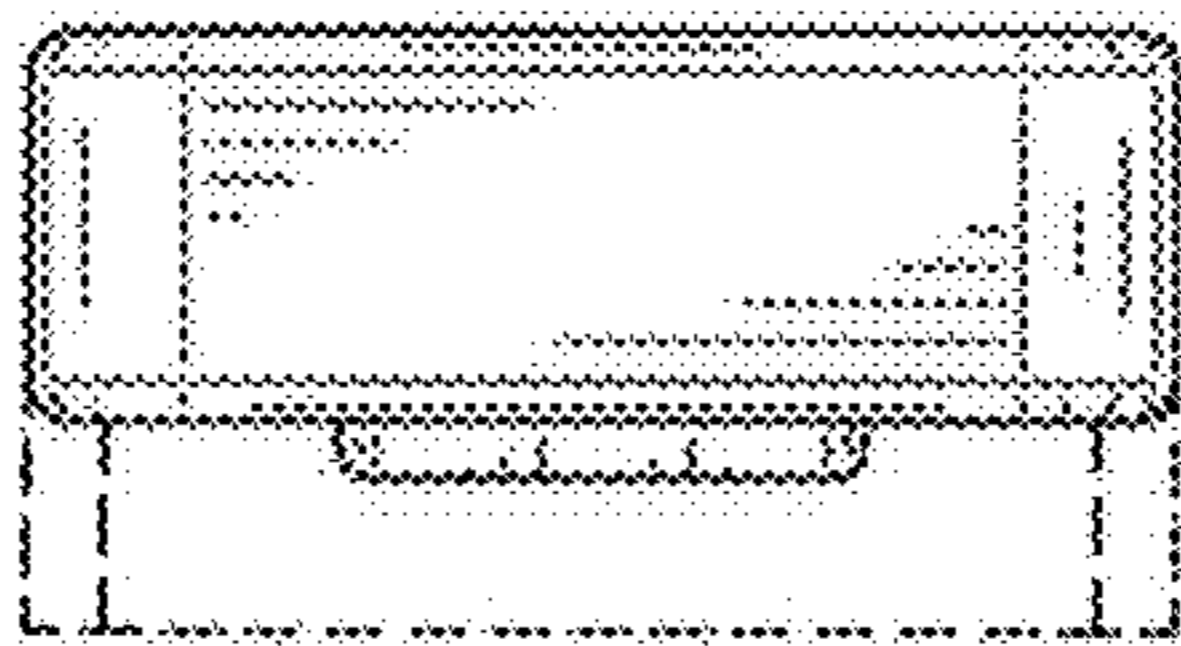


FIG. 8