



US00D838039S

(12) **United States Design Patent**
Zhou

(10) **Patent No.:** **US D838,039 S**

(45) **Date of Patent:** **** Jan. 8, 2019**

(54) **HAIR STRAIGHTENER**

(71) Applicant: **Yungang Zhou**, Xiantao (CN)

(72) Inventor: **Yungang Zhou**, Xiantao (CN)

(**) Term: **15 Years**

(21) Appl. No.: **29/627,484**

(22) Filed: **Nov. 28, 2017**

(51) **LOC (11) Cl.** **28-03**

(52) **U.S. Cl.**
USPC **D28/35**

(58) **Field of Classification Search**
USPC D28/35-38
CPC ... A45D 2/12; A45D 2/14; A45D 2/36-2/367;
A45D 2/001-2/002; A45D 2/06; A45D
2/40; A45D 1/00; A45D 1/02-1/04; A45D
1/06; A45D 1/10; A45D 1/16; A45D 1/28
See application file for complete search history.

(56) **References Cited**

U.S. PATENT DOCUMENTS

D682,468 S * 5/2013 Kim D28/35

D776,871 S * 1/2017 Smith D28/35
D798,503 S * 9/2017 Ceva D28/35
D816,900 S * 5/2018 Di Marco D28/35

* cited by examiner

Primary Examiner — Jennifer Rivard

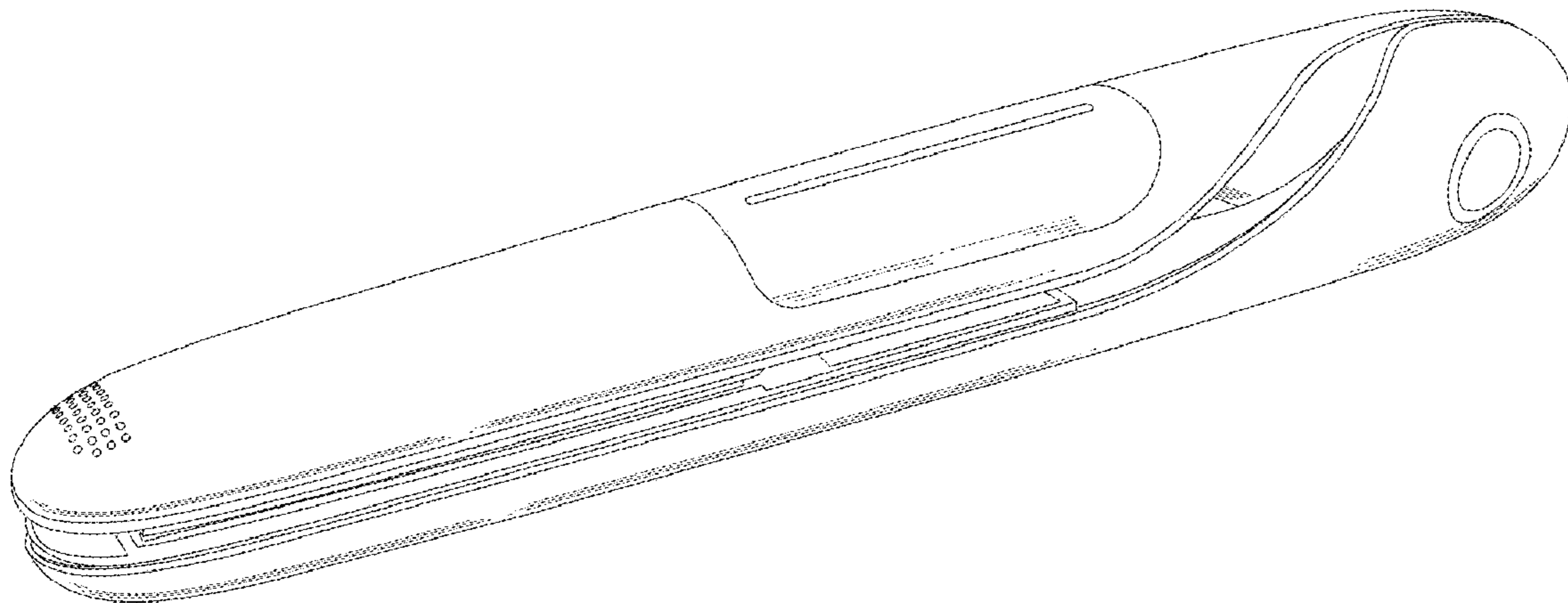
(57) **CLAIM**

The ornamental design for a hair straightener, as shown and described.

DESCRIPTION

FIG. 1 is a perspective view of a hair straightener showing my new design;
FIG. 2 is a front elevational view thereof;
FIG. 3 is a rear elevational view thereof;
FIG. 4 is a left side elevational view thereof;
FIG. 5 is a right side elevational view thereof;
FIG. 6 is a top plan view thereof; and,
FIG. 7 is a bottom plan view thereof.

1 Claim, 7 Drawing Sheets



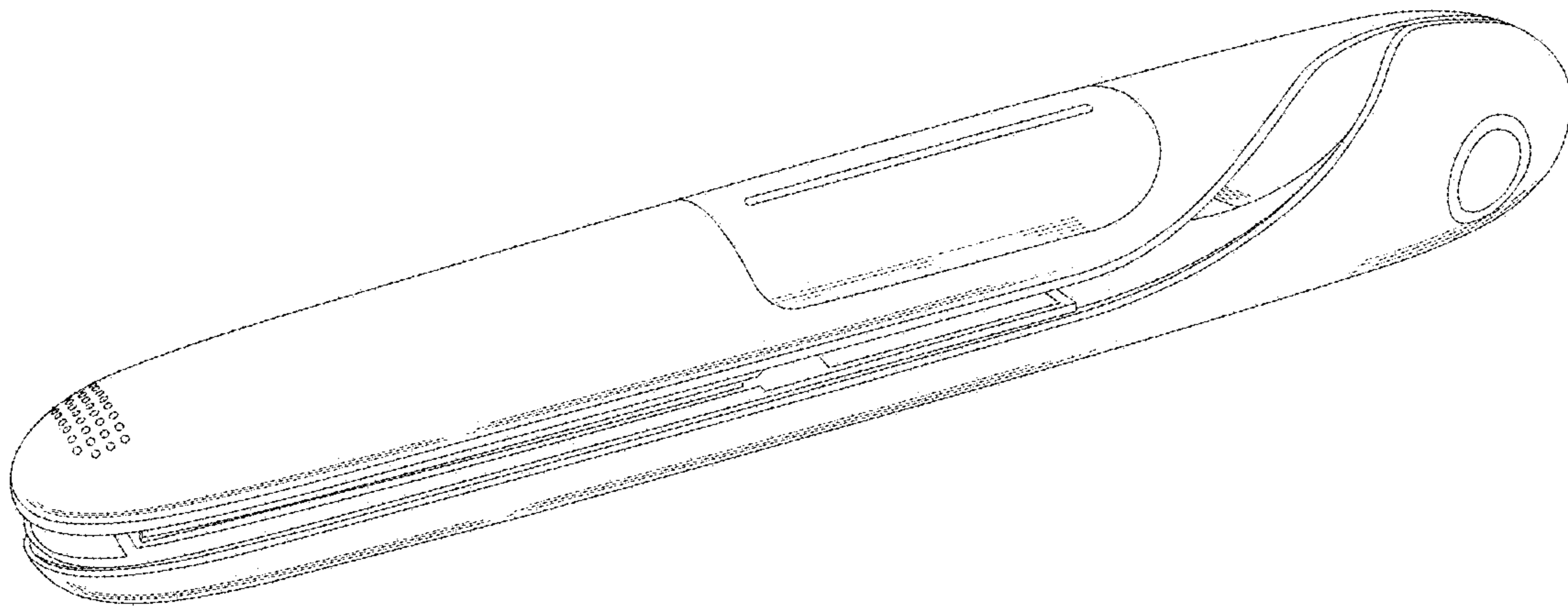


FIG.1

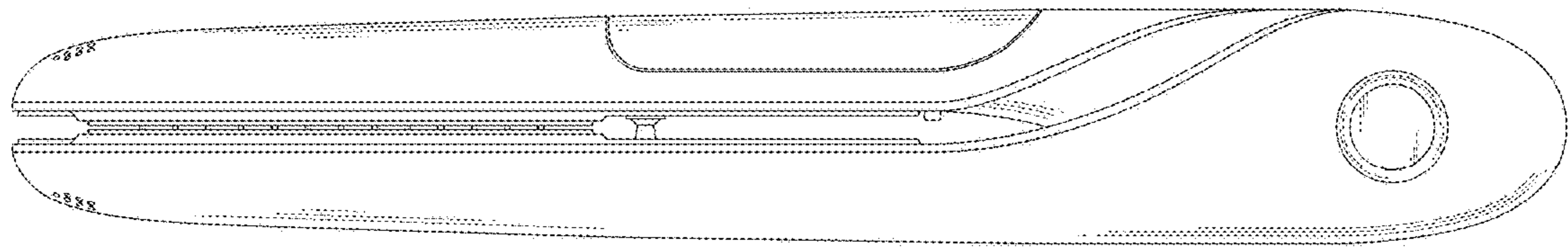


FIG.2

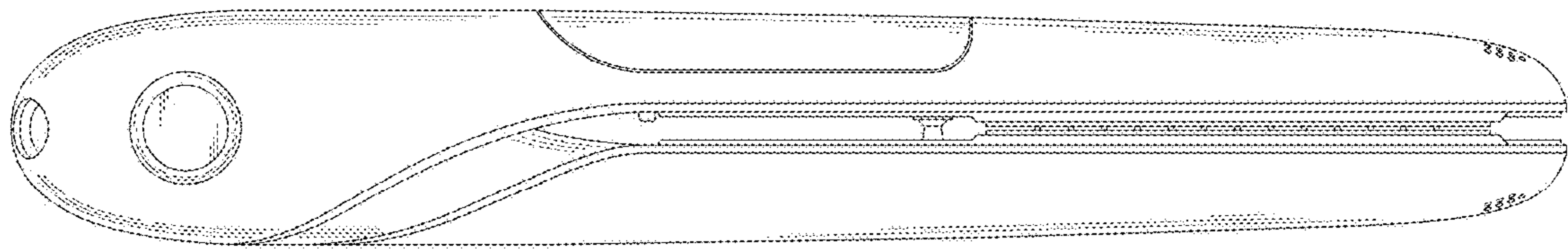


FIG.3

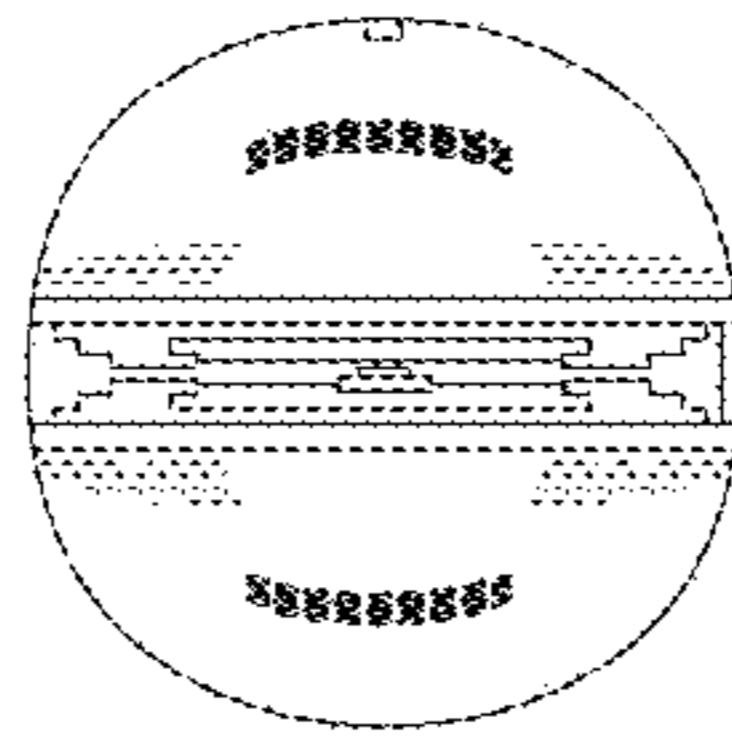


FIG.4

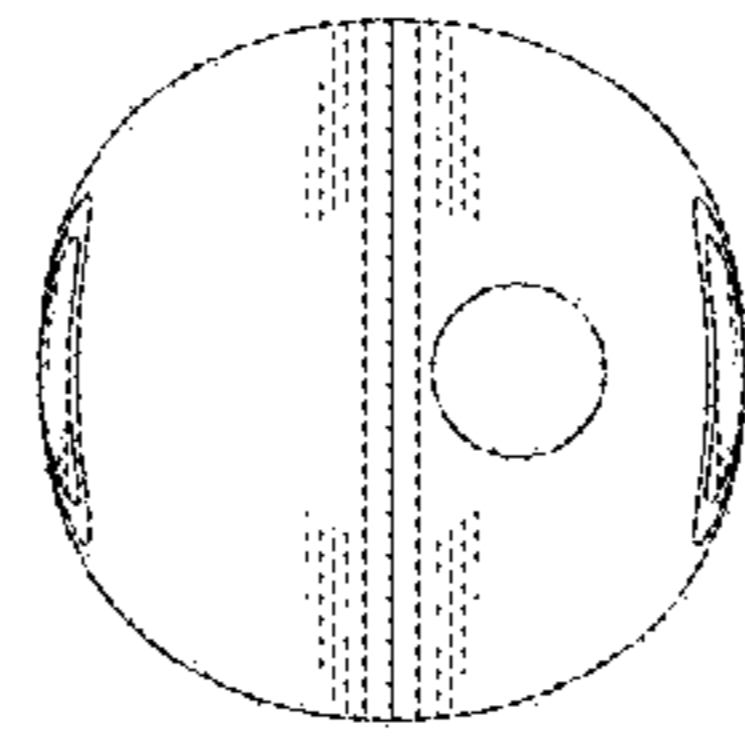


FIG.5

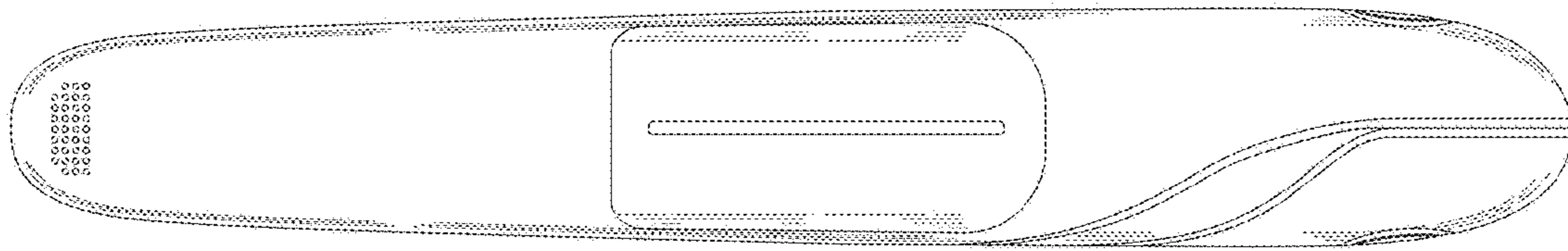


FIG.6

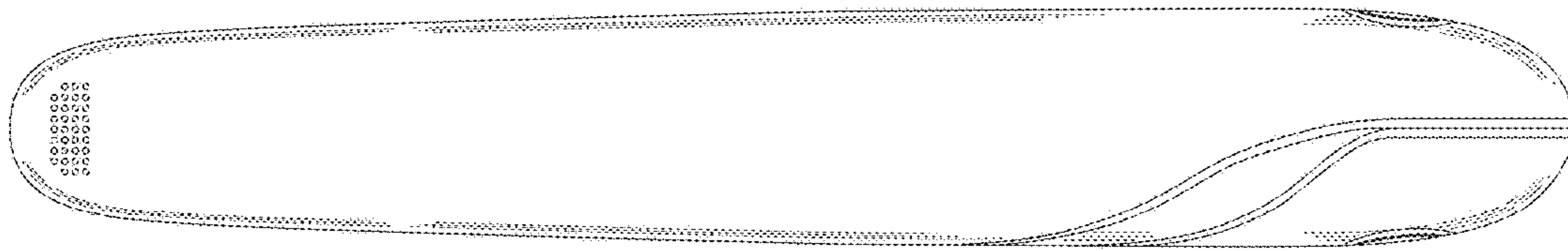


FIG. 7