



US00D838038S

(12) **United States Design Patent** (10) **Patent No.:** **US D838,038 S**  
**Tarnowsky** (45) **Date of Patent:** **\*\* Jan. 8, 2019**

(54) **DETERGENT/CLEANING PACKET**  
(71) Applicant: **Jempak Corporation**, Concord (CA)  
(72) Inventor: **Emil Tarnowsky**, Concord (CA)  
(73) Assignee: **Jempak Corporation**, Concord,  
Ontario (CA)  
(\*\*) Term: **15 Years**  
(21) Appl. No.: **29/609,948**  
(22) Filed: **Jul. 7, 2017**  
(51) **LOC (11) Cl.** ..... **28-03**  
(52) **U.S. Cl.**  
USPC ..... **D28/8.1**  
(58) **Field of Classification Search**  
USPC ..... D9/424-426, 428, 430-432, 702, 707,  
D9/710, 737, 759  
CPC ..... C11D 17/04; C11D 17/041-17/042; C11D  
17/043-17/047; C11D 17/0047-17/0091;  
C11D 17/0095; C11D 17/00-17/0021  
See application file for complete search history.

(56) **References Cited**

**U.S. PATENT DOCUMENTS**

D695,451 S \* 12/2013 Gerhards ..... D28/8.1  
D714,161 S \* 9/2014 Crawford ..... D9/707  
D735,407 S \* 7/2015 Gerhards ..... D28/8.1  
D748,330 S \* 1/2016 Gerhards ..... D28/8.1  
D774,249 S \* 12/2016 McLenithan ..... D28/8.1  
D774,250 S \* 12/2016 McLenithan ..... D28/8.1  
D783,202 S \* 4/2017 Burdeos Andreu ..... D28/8.1  
D783,203 S \* 4/2017 Johnson ..... D28/8.1  
D797,991 S \* 9/2017 Johnson ..... D28/8.1

D797,992 S \* 9/2017 Johnson ..... D28/8.1  
D800,964 S \* 10/2017 Zuckerman ..... D28/8.1  
D809,202 S \* 1/2018 Reda ..... D28/8.1  
D812,297 S \* 3/2018 Johnson ..... D28/8.1  
D812,298 S \* 3/2018 Burdeos Andreu ..... D28/8.1  
D812,812 S \* 3/2018 Zuckerman ..... D28/8.1

\* cited by examiner

*Primary Examiner* — Jennifer Rivard

(74) *Attorney, Agent, or Firm* — Matthew D. Powell;  
Gilbert's LLP

(57) **CLAIM**

The ornamental design for a detergent/cleaning packet, as shown and described.

**DESCRIPTION**

FIG. 1 is a perspective view of the detergent/cleaning packet, in accordance with the design;  
FIG. 2 is a top view of the detergent/cleaning packet of FIG. 1;  
FIG. 3 is a first side view of the detergent/cleaning packet of FIG. 1;  
FIG. 4 is a bottom view of the detergent/cleaning packet of FIG. 1;  
FIG. 5 is a second side view of the detergent/cleaning packet of FIG. 1;  
FIG. 6 is a first end view of the detergent/cleaning packet of FIG. 1; and,  
FIG. 7 is a second end view of the detergent/cleaning packet of FIG. 1.  
The broken lines illustrate a portion of the detergent/cleaning packet and form no part of the claimed design.

**1 Claim, 2 Drawing Sheets**

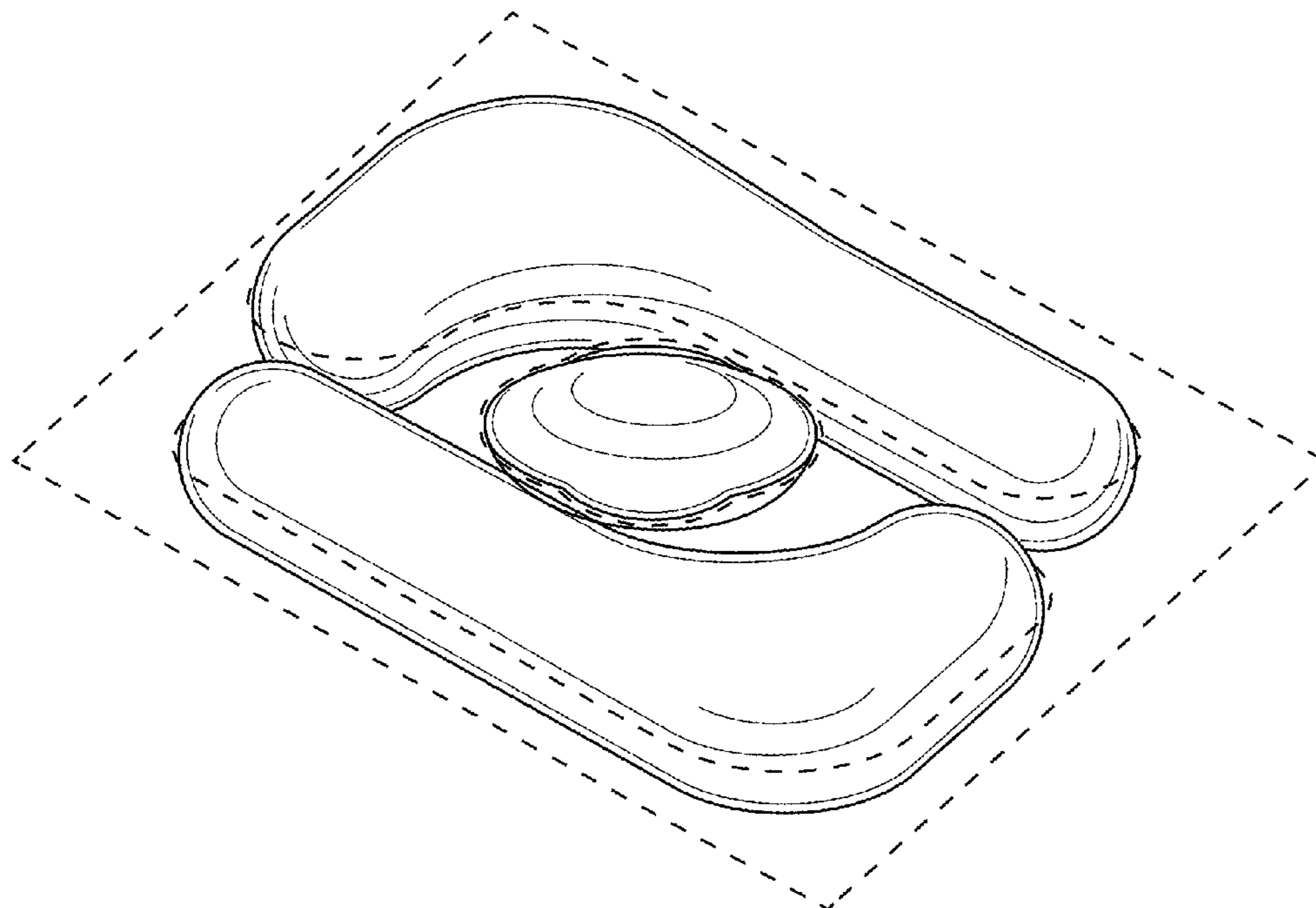


Fig. 1

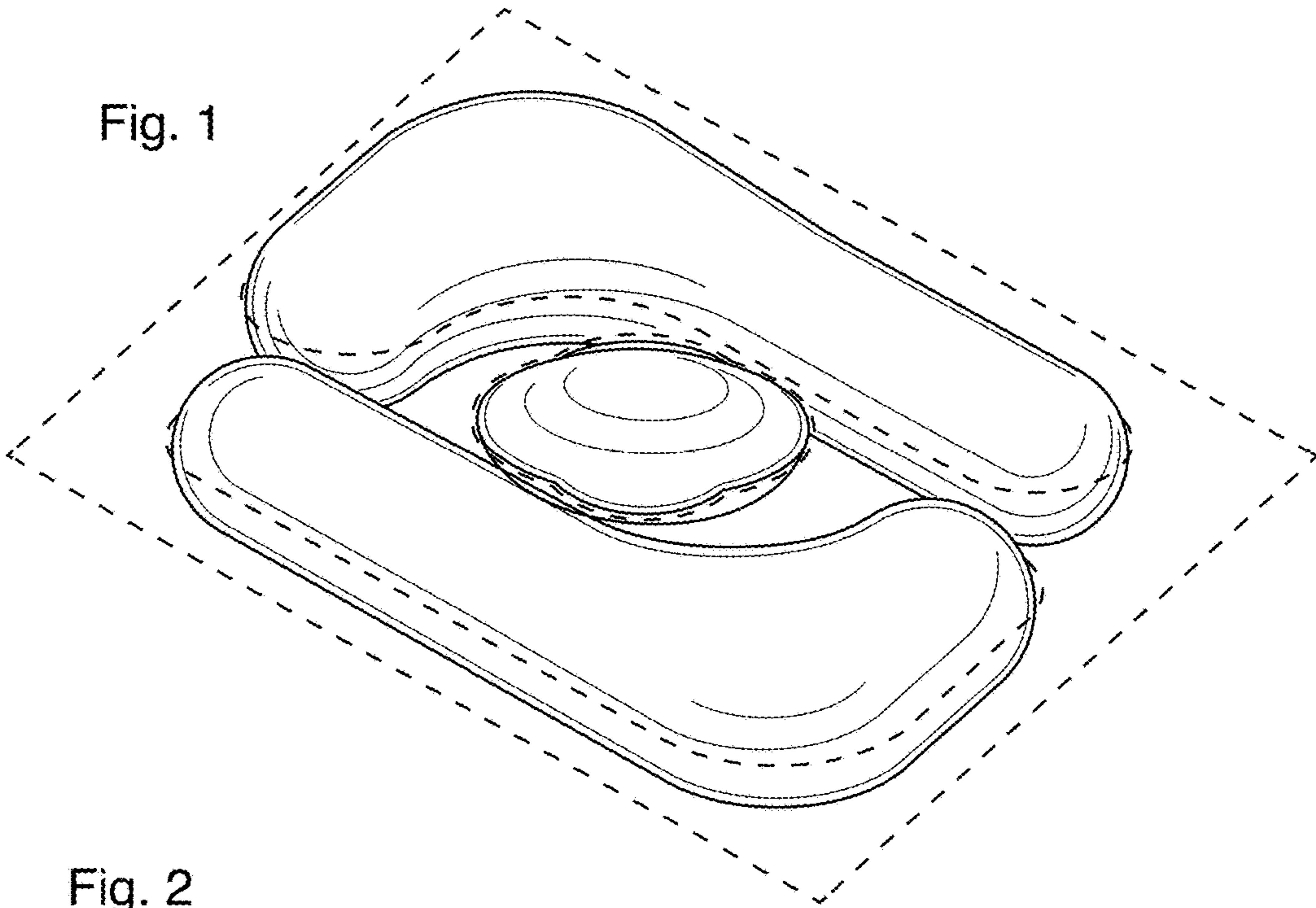


Fig. 2

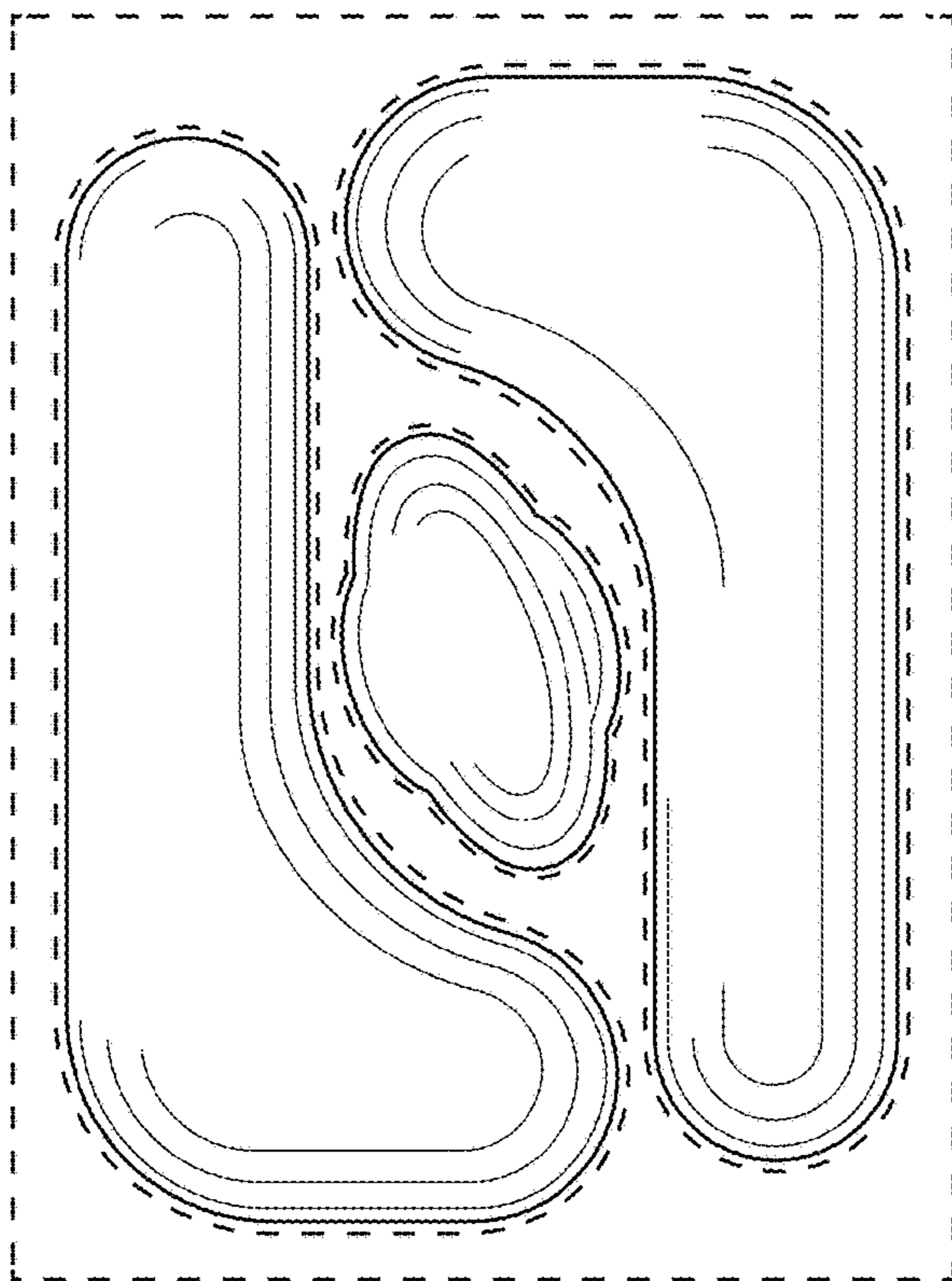


Fig. 3

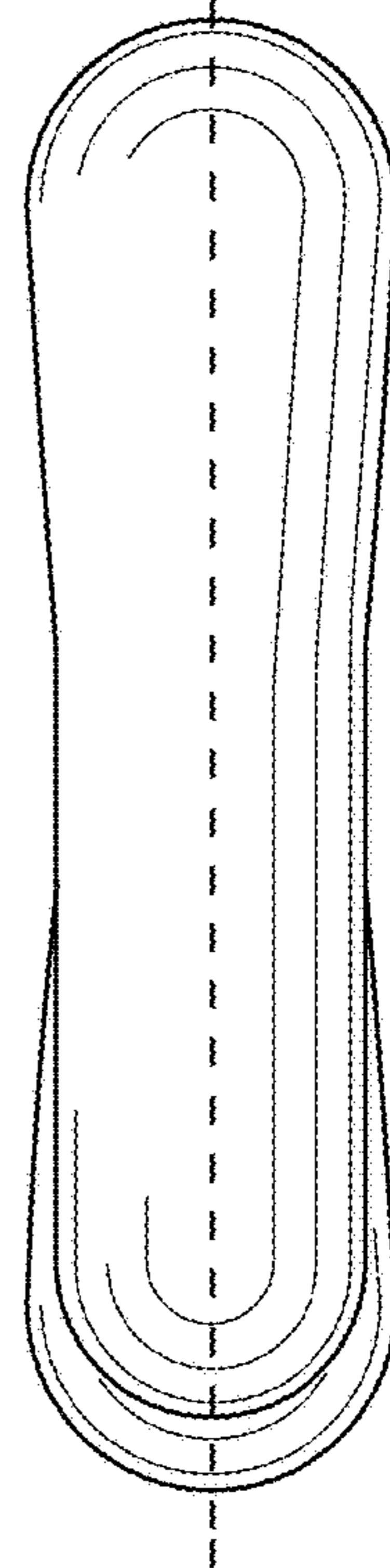


Fig. 4

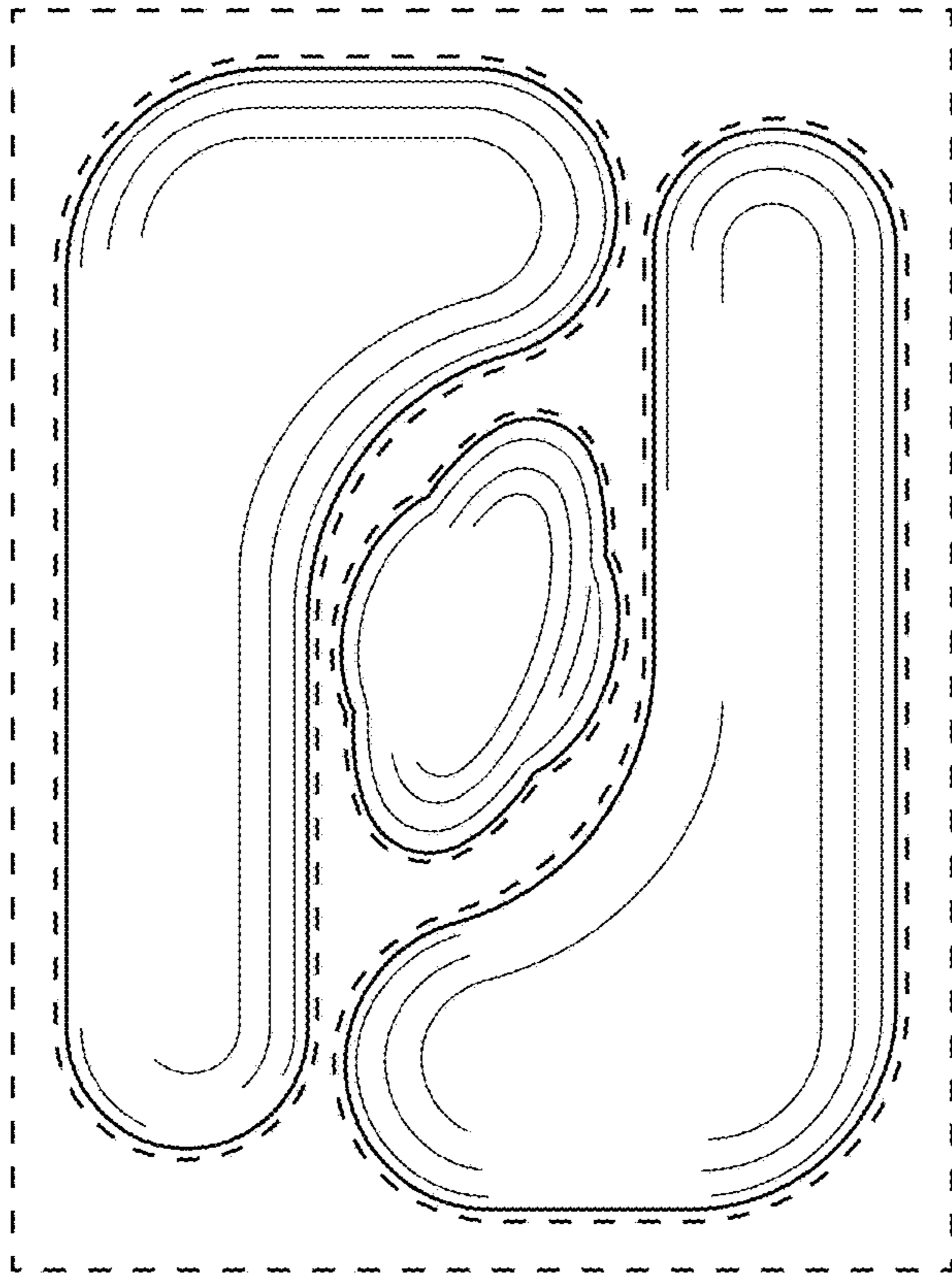


Fig. 5

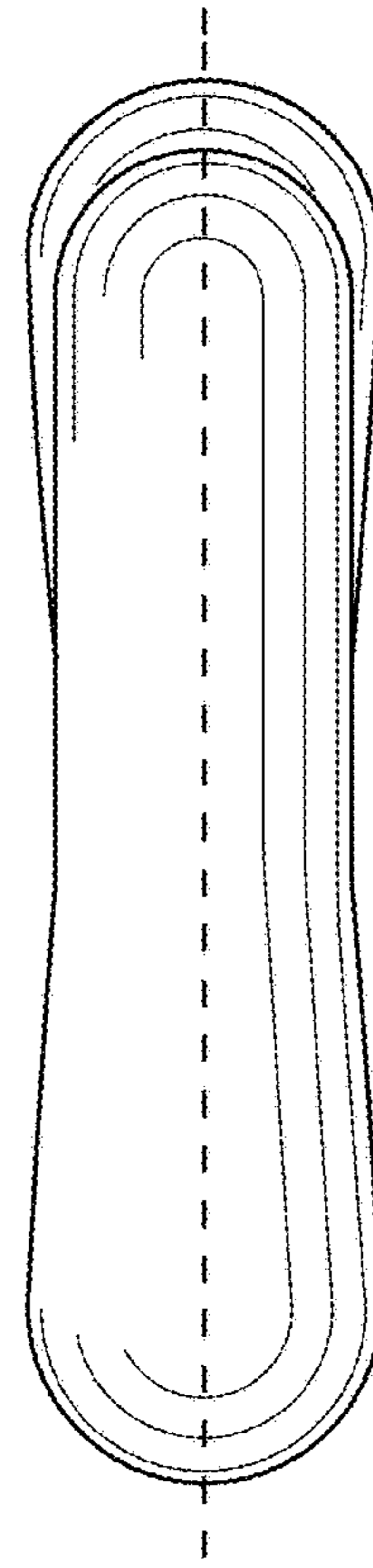


Fig. 6

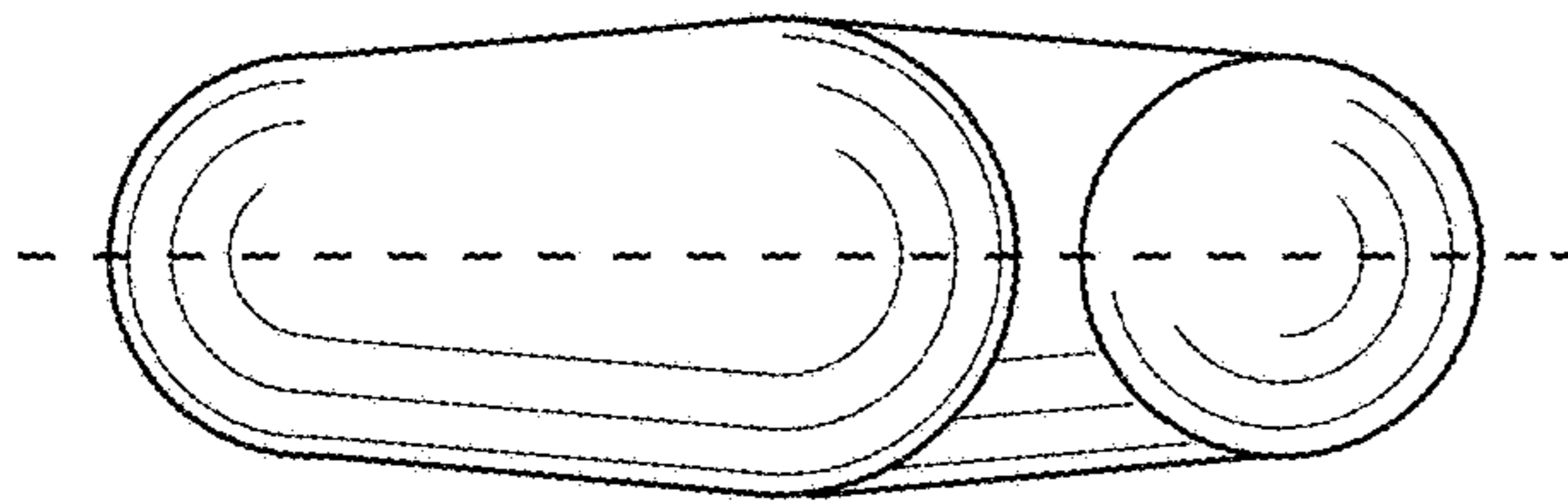


Fig. 7

