



US00D838033S

(12) **United States Design Patent**
Xiong

(10) **Patent No.:** **US D838,033 S**

(45) **Date of Patent:** **** Jan. 8, 2019**

(54) **LIGHTING SYSTEM WITH ADJUSTABLE REFLECTOR**

(71) Applicant: **Hangzhou Triumph Imp & Exp CO., LTD**, Hangzhou (CN)

(72) Inventor: **Yuanhong Xiong**, Hangzhou (CN)

(73) Assignee: **HANGZHOU TRIUMPH IMP & EXP CO., LTD**, Hangzhou (CN)

(**) Term: **15 Years**

(21) Appl. No.: **29/606,165**

(22) Filed: **Jun. 2, 2017**

(51) **LOC (11) Cl.** **26-99**

(52) **U.S. Cl.**
USPC **D26/118**

(58) **Field of Classification Search**
USPC D26/74, 24, 72, 75, 76, 78, 79, 81, 82,
D26/88, 89, 91, 113, 118, 119, 120, 138,
D26/141, 142
CPC F21V 21/04; F21V 21/041; F21V 7/005;
F21Y 2111/002; F21S 8/026; F21S 8/02;
A47B 43/00

See application file for complete search history.

(56) **References Cited**

U.S. PATENT DOCUMENTS

D786,491 S * 5/2017 Reynolds D26/118
D797,351 S * 9/2017 Stanley D26/118

D804,706 S * 12/2017 Stanley D26/118
D814,687 S * 4/2018 Stanley D26/118

* cited by examiner

Primary Examiner — Brian N. Vinson

(74) *Attorney, Agent, or Firm* — Gokalp Bayramoglu

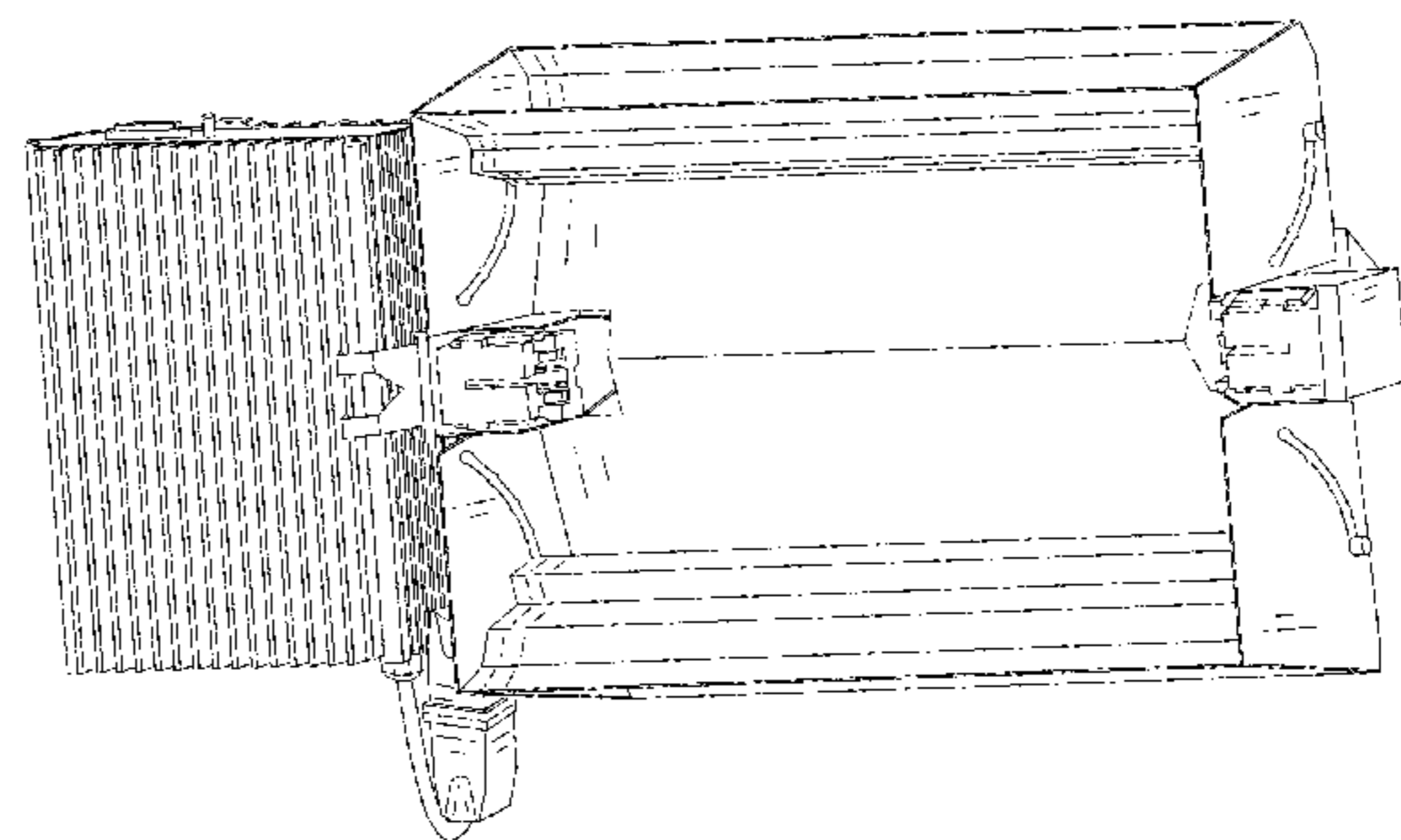
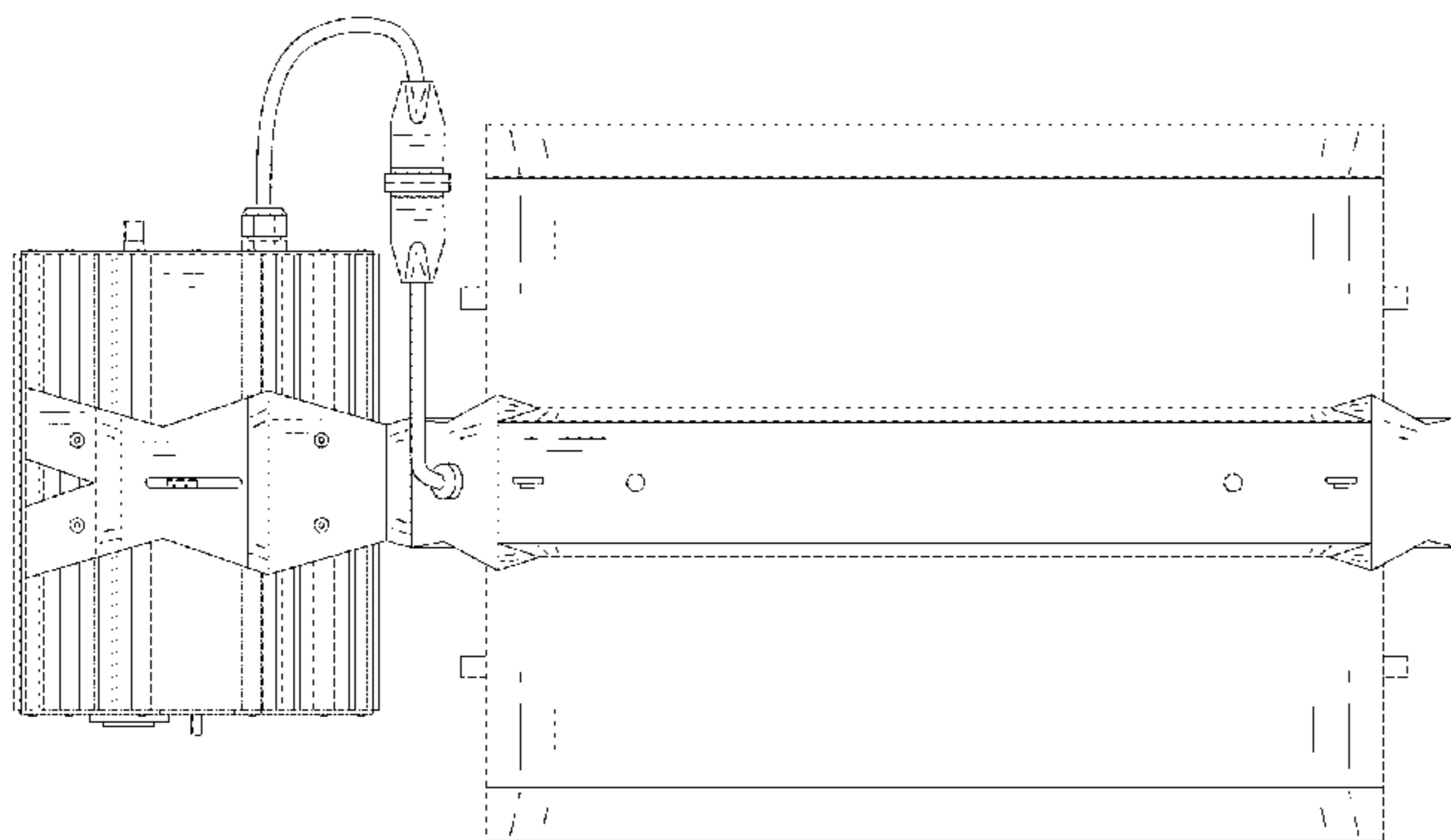
(57) **CLAIM**

The new design for a lighting system with adjustable reflector, as shown and described.

DESCRIPTION

FIG. 1 is a perspective view of a lighting system with adjustable reflector showing my new design; FIG. 2 is a front elevation view thereof; FIG. 3 is a rear elevation view thereof; FIG. 4 is a bottom plan view thereof; FIG. 5 is a top plan view thereof; FIG. 6 is a left elevation view thereof; FIG. 7 is a right elevation view thereof when the adjustment button is adjusted to the first gear; FIG. 8 is another perspective view thereof when the adjustment button is adjusted to the first gear; FIG. 9 is another right elevation view thereof when the adjustment button is adjusted to the second gear; FIG. 10 is another perspective view thereof when the adjustment button is adjusted to the second gear; FIG. 11 is another right elevation view thereof when the adjustment button is adjusted to the third gear; and, FIG. 12 is another perspective view thereof when the adjustment button is adjusted to the third gear. The broken lines in the drawings depict portions of the lighting system with adjustable reflector that form no part of the claimed design.

1 Claim, 12 Drawing Sheets



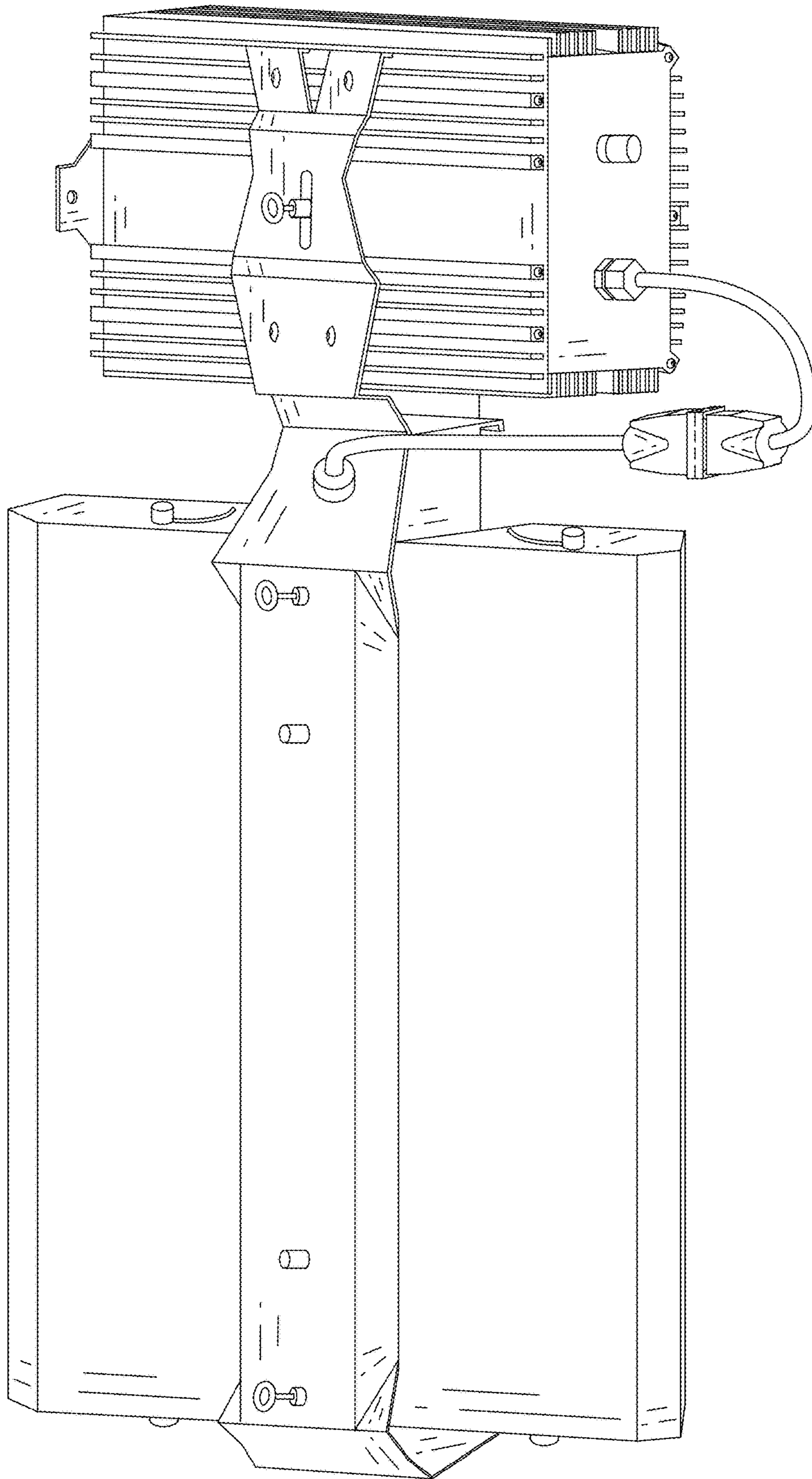


Fig. 1

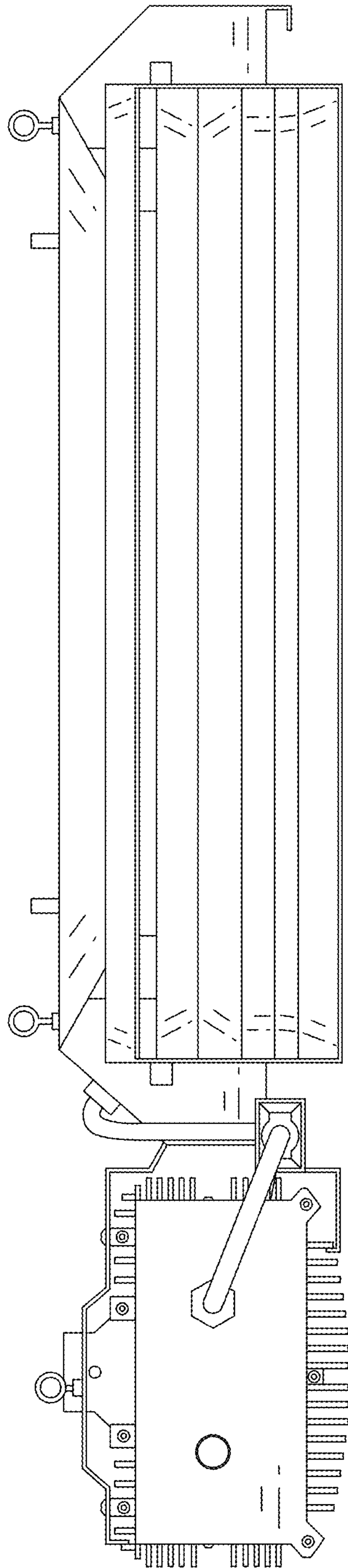


Fig. 2

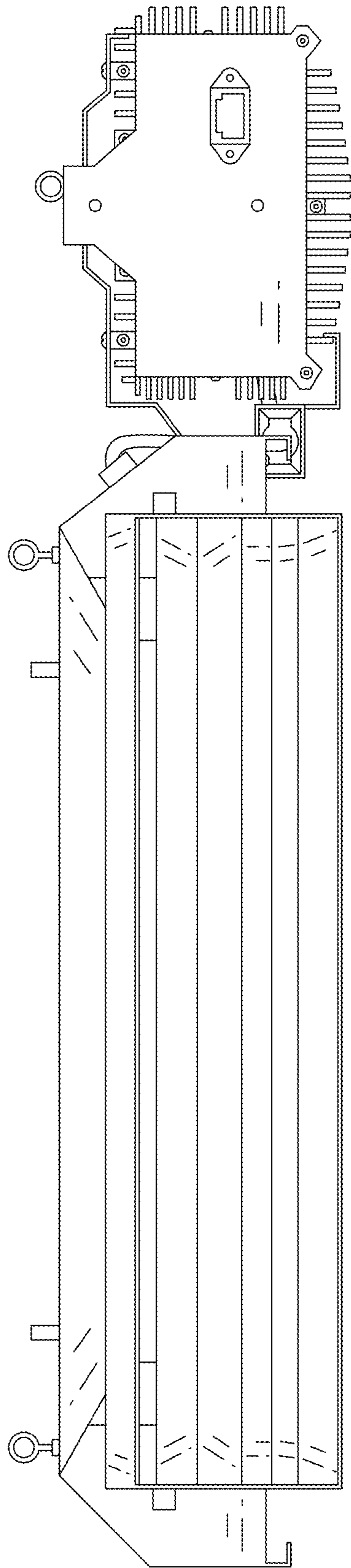


Fig. 3

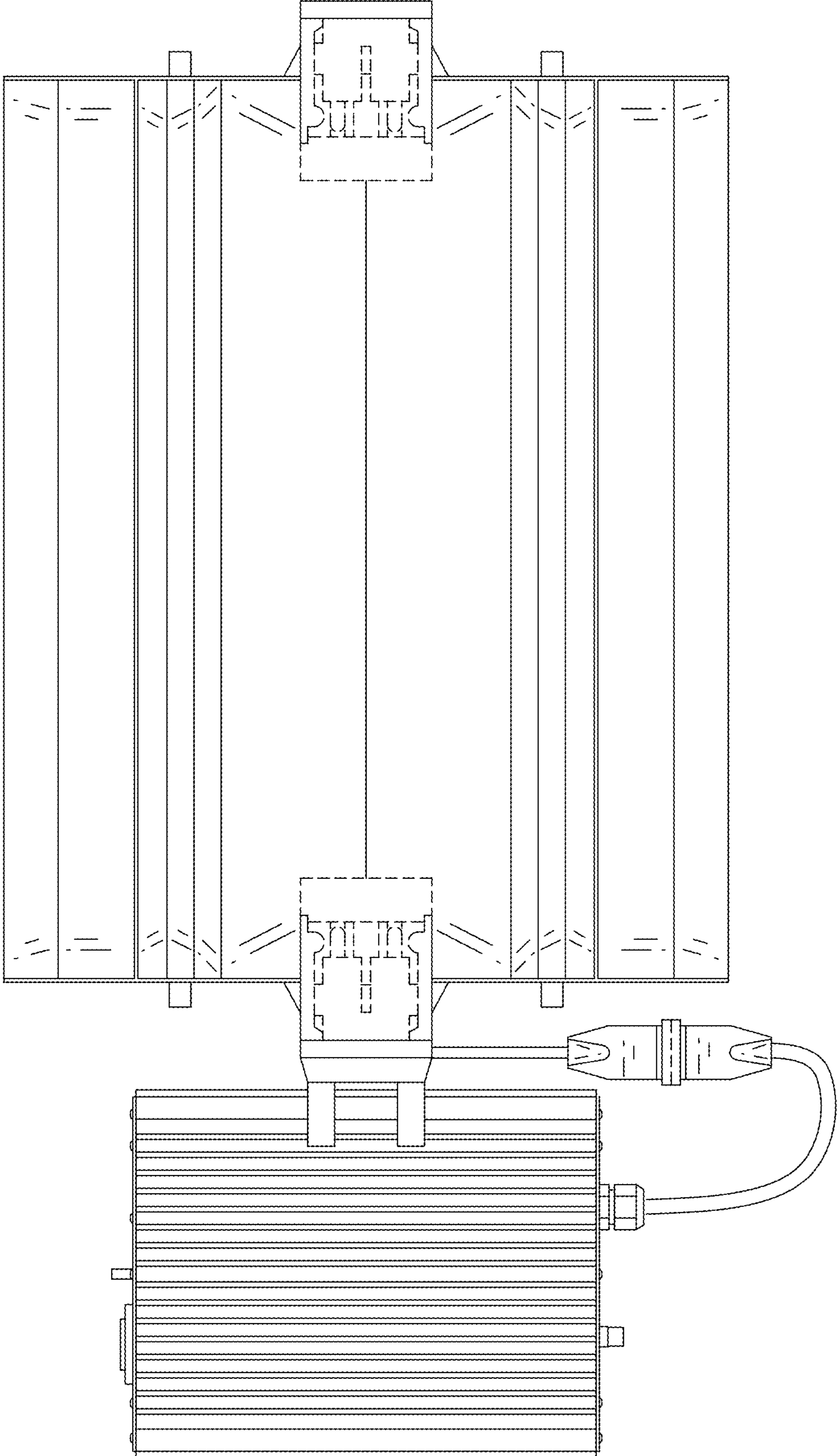


Fig. 4

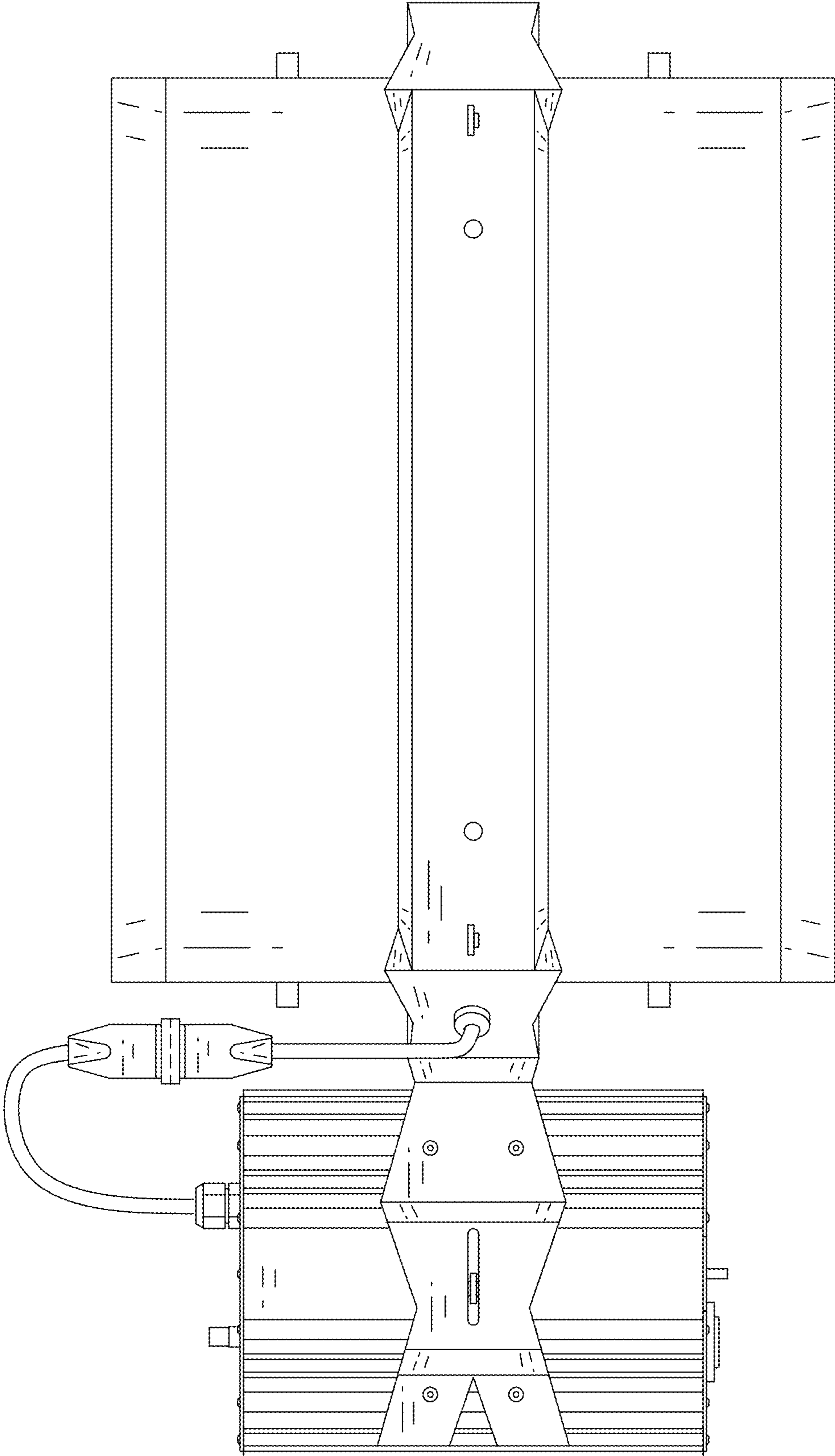


Fig. 5

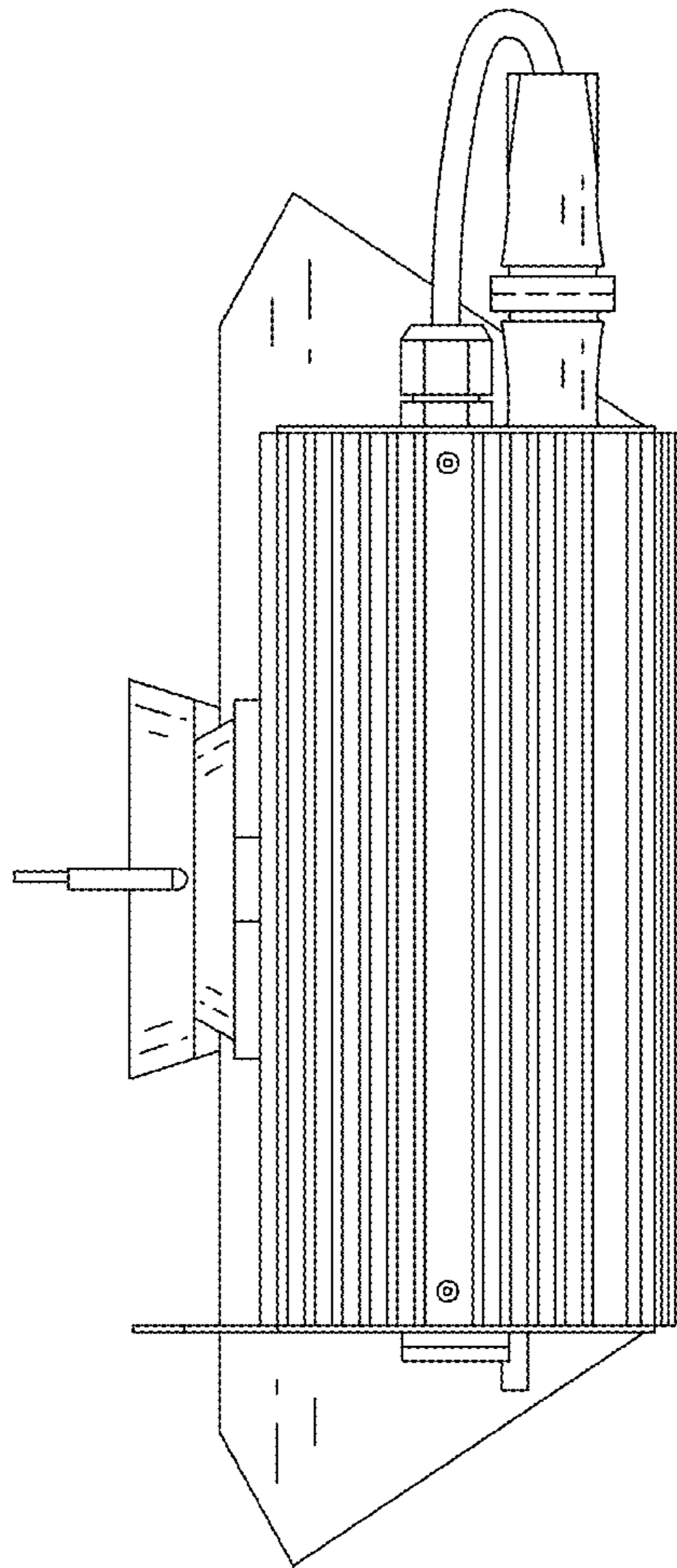


Fig. 6

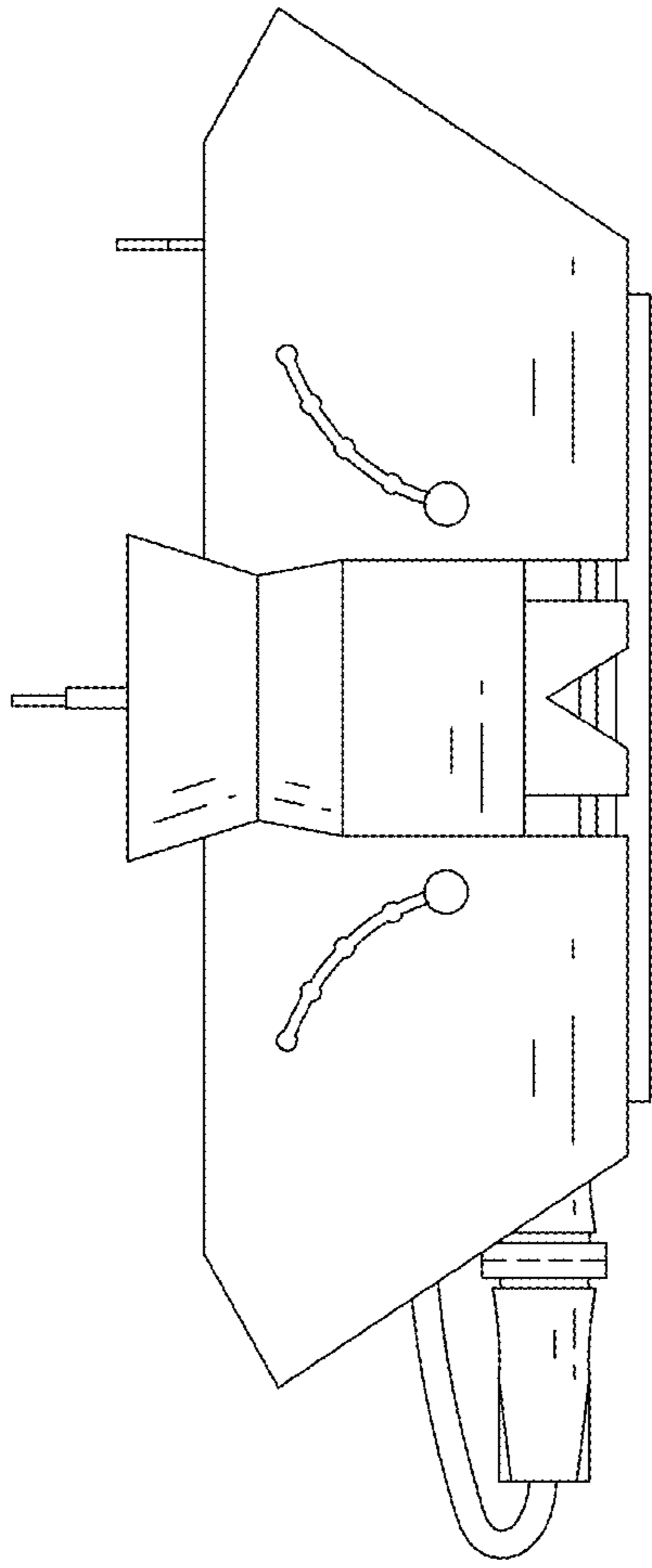


Fig. 7

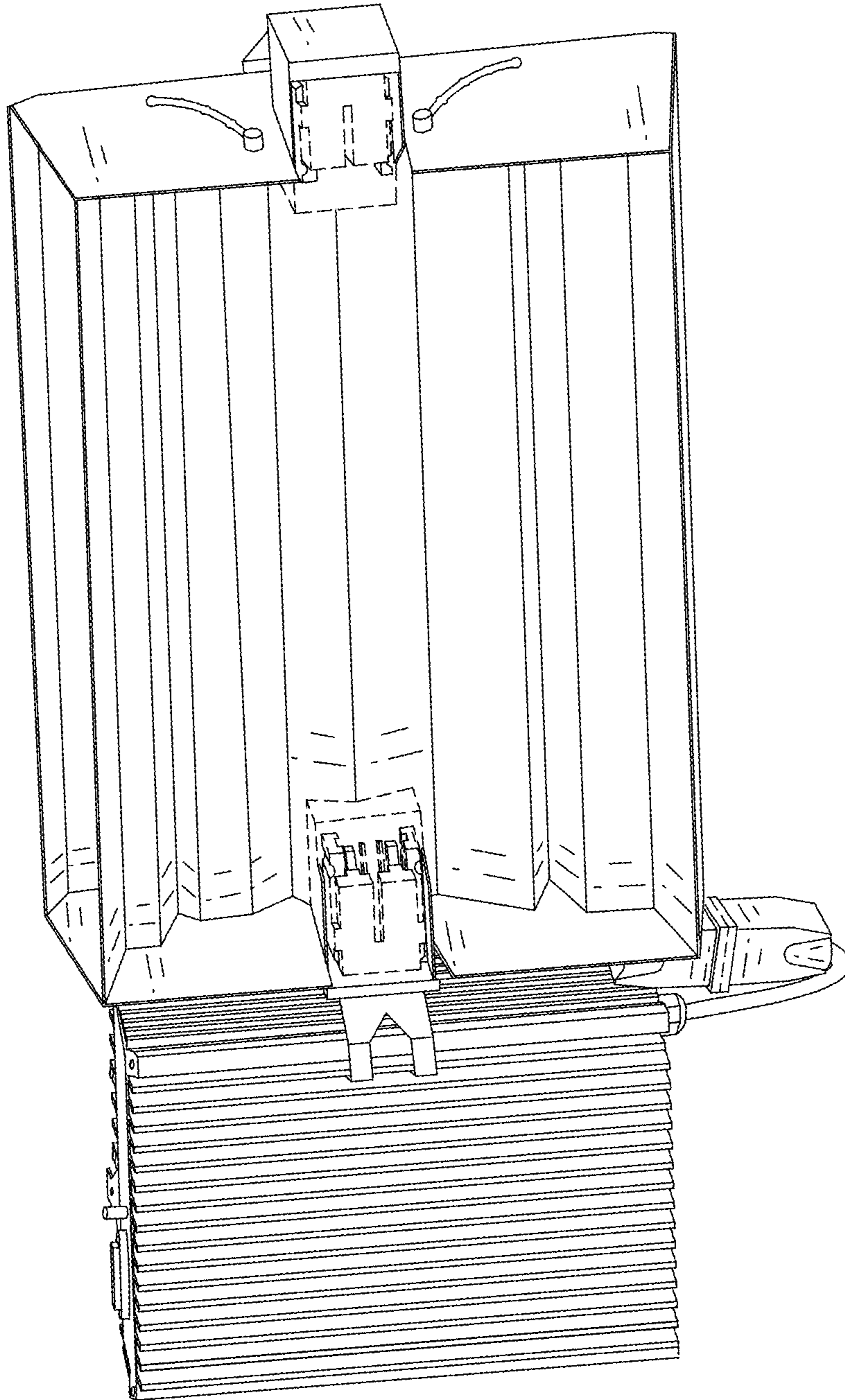


Fig. 8

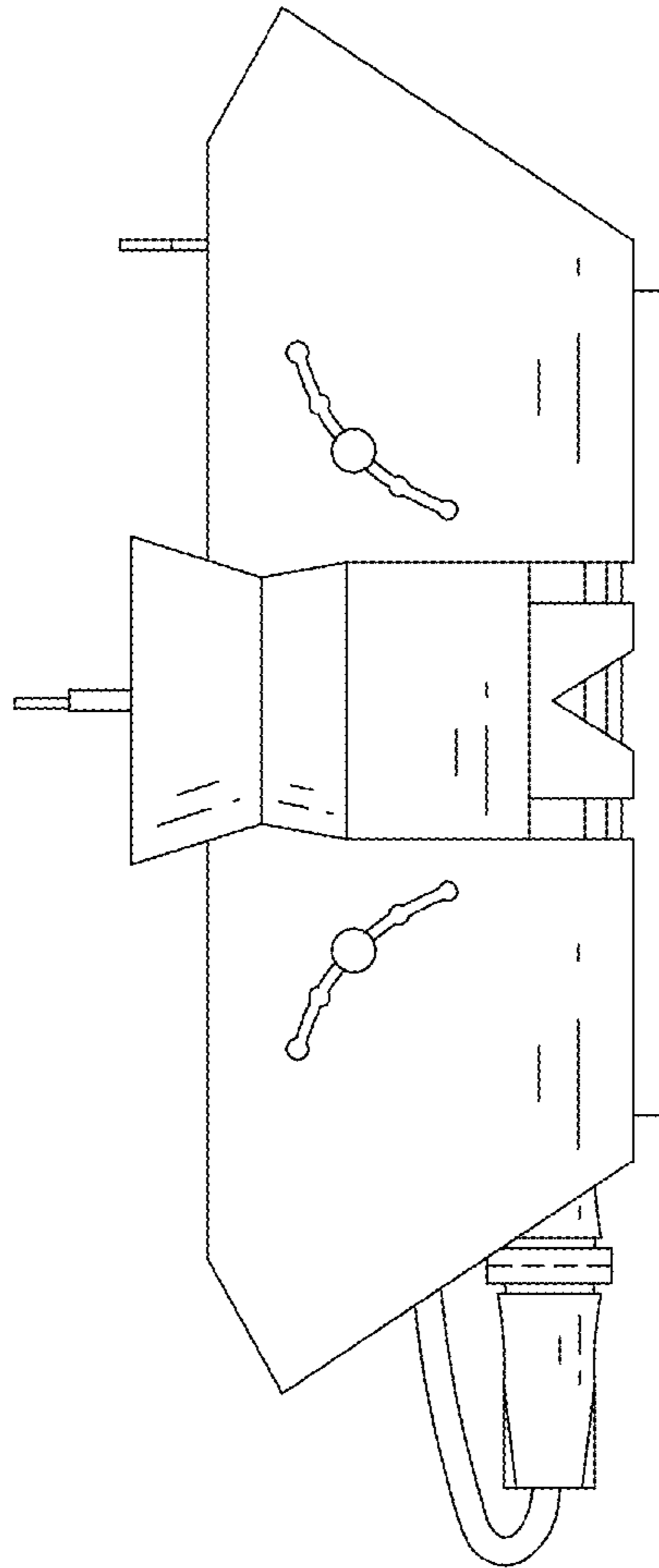


Fig. 9

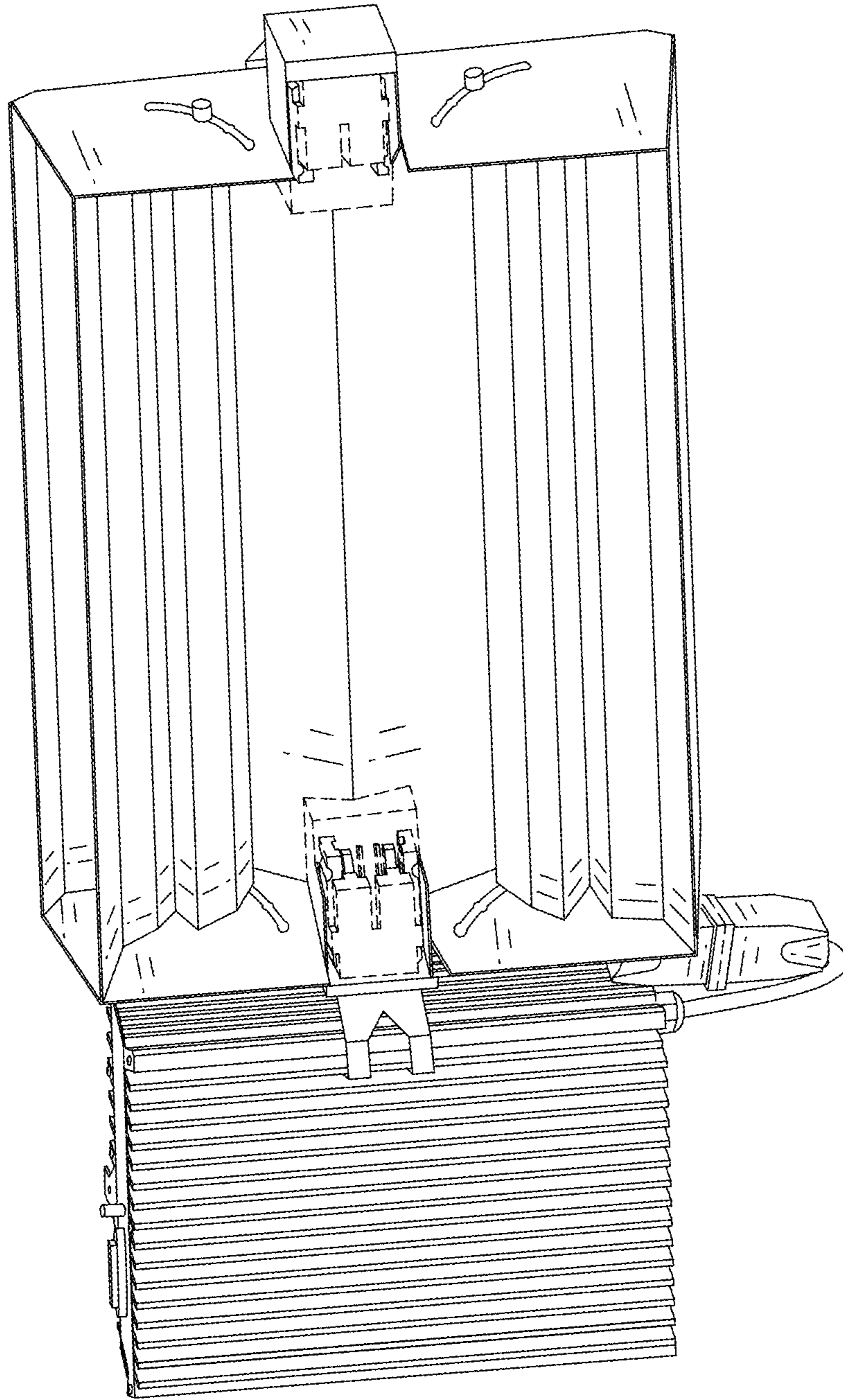


Fig. 10

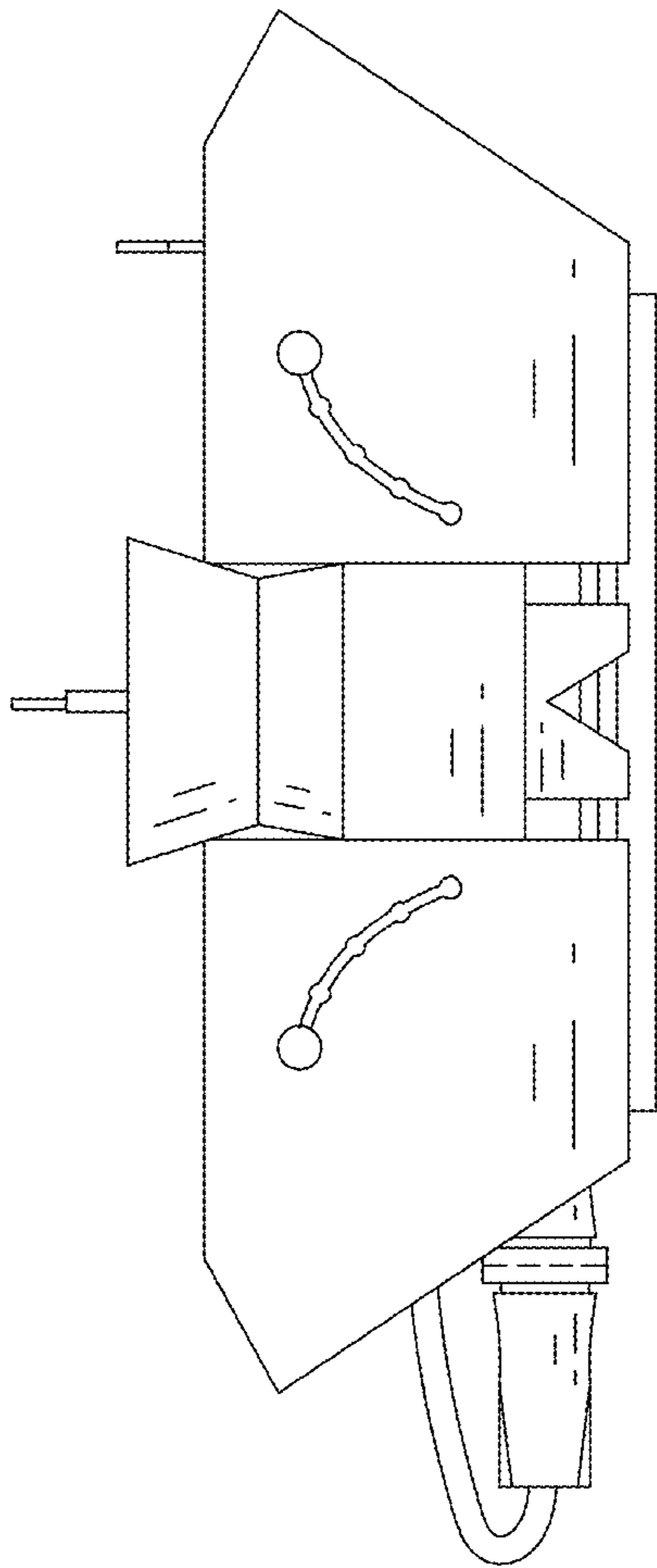


Fig. 11

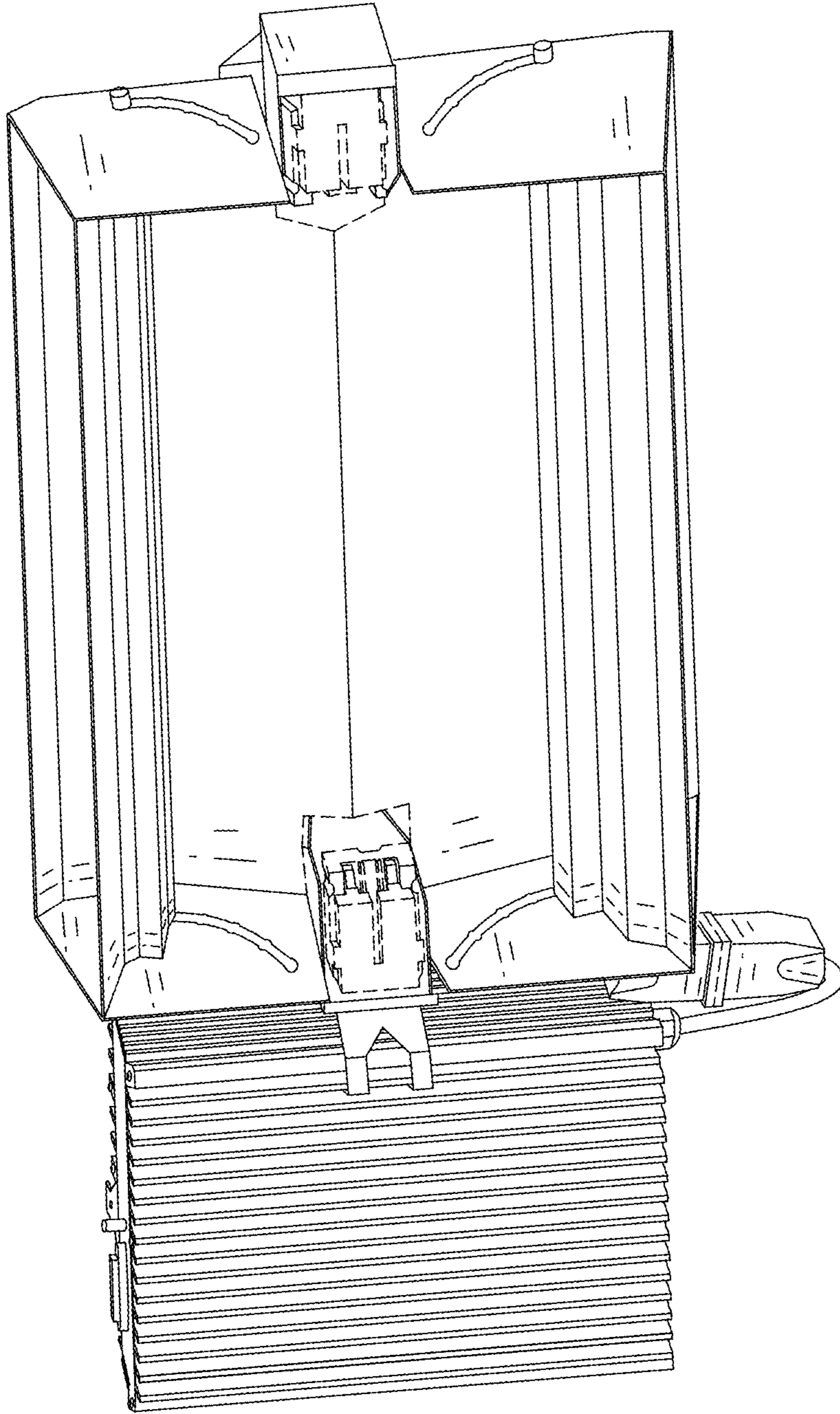


Fig. 12