



US00D838031S

(12) **United States Design Patent**  
**Fredman**

(10) **Patent No.:** **US D838,031 S**

(45) **Date of Patent:** **\*\* Jan. 8, 2019**

(54) **DUAL FLASHLIGHT HOLDER**

(71) Applicant: **Michael Fredman**, Bullhead City, AZ  
(US)

(72) Inventor: **Michael Fredman**, Bullhead City, AZ  
(US)

(\*\*) Term: **15 Years**

(21) Appl. No.: **29/626,794**

(22) Filed: **Nov. 20, 2017**

(51) **LOC (11) Cl.** ..... **26-99**

(52) **U.S. Cl.**  
USPC ..... **D26/113; D8/349**

(58) **Field of Classification Search**  
USPC ..... D26/37-51, 113; D8/349  
CPC ..... F21L 2003/00; F21L 4/00; F21L 4/005;  
F21L 4/02; F21L 4/025; F21L 4/027;  
F21L 4/04; F21L 4/08; F21L 2005/00;  
F21L 7/00; F21L 11/00; F21L 13/00;  
F21L 13/04; F21L 13/08; F21L 14/02;  
F21L 17/00; F21L 19/00; F21L 25/00  
See application file for complete search history.

(56) **References Cited**

**U.S. PATENT DOCUMENTS**

2,244,288	A	6/1940	Colby	
2,299,467	A	5/1941	Colby	
D158,035	S *	4/1950	Anderson	D26/38
D199,122	S *	9/1964	Rowland, Jr.	D24/136
D208,842	S *	10/1967	Burkhardt	D26/38
3,418,461	A	12/1968	Sedlock	
D245,071	S *	7/1977	Kong	D10/62
D287,931	S *	1/1987	Crone	D8/373
D291,746	S *	9/1987	Evans	D3/228
D302,334	S	7/1989	DeGuevara	
5,063,483	A	11/1991	Feilmeier et al.	
5,074,295	A	12/1991	Willis	
D324,109	S *	2/1992	Caridi	D26/140
D327,801	S *	7/1992	Lee	D6/553

D328,820	S *	8/1992	Davie	D26/37
D332,500	S	1/1993	Churchill	
D333,012	S *	2/1993	Fleming	D26/138
D334,993	S *	4/1993	Lee	D26/38
D335,718	S *	5/1993	Maglica	D26/138
D336,535	S *	6/1993	Maglica	D26/138
D337,172	S *	7/1993	Maglica	D26/138
D351,857	S *	10/1994	Tam	D19/77
D357,174	S *	4/1995	Perlman	D8/373
D358,679	S *	5/1995	Garrity	D26/138
5,473,520	A	12/1995	Malley	
5,485,357	A	1/1996	Zolninger	

(Continued)

*Primary Examiner* — Lakiya G Rogers

*Assistant Examiner* — Carissa C Fitts

(57) **CLAIM**

I claim the ornamental design for a dual flashlight holder, as shown and described.

**DESCRIPTION**

FIG. 1 shows a left, front, and top perspective view of a dual flashlight holder in accordance with an embodiment of the present invention, along with two different sized flashlights to show environment;

FIG. 2 shows an elevational front view of the dual flashlight holder of FIG. 1;

FIG. 3 shows an elevational left view of the dual flashlight holder of FIG. 1;

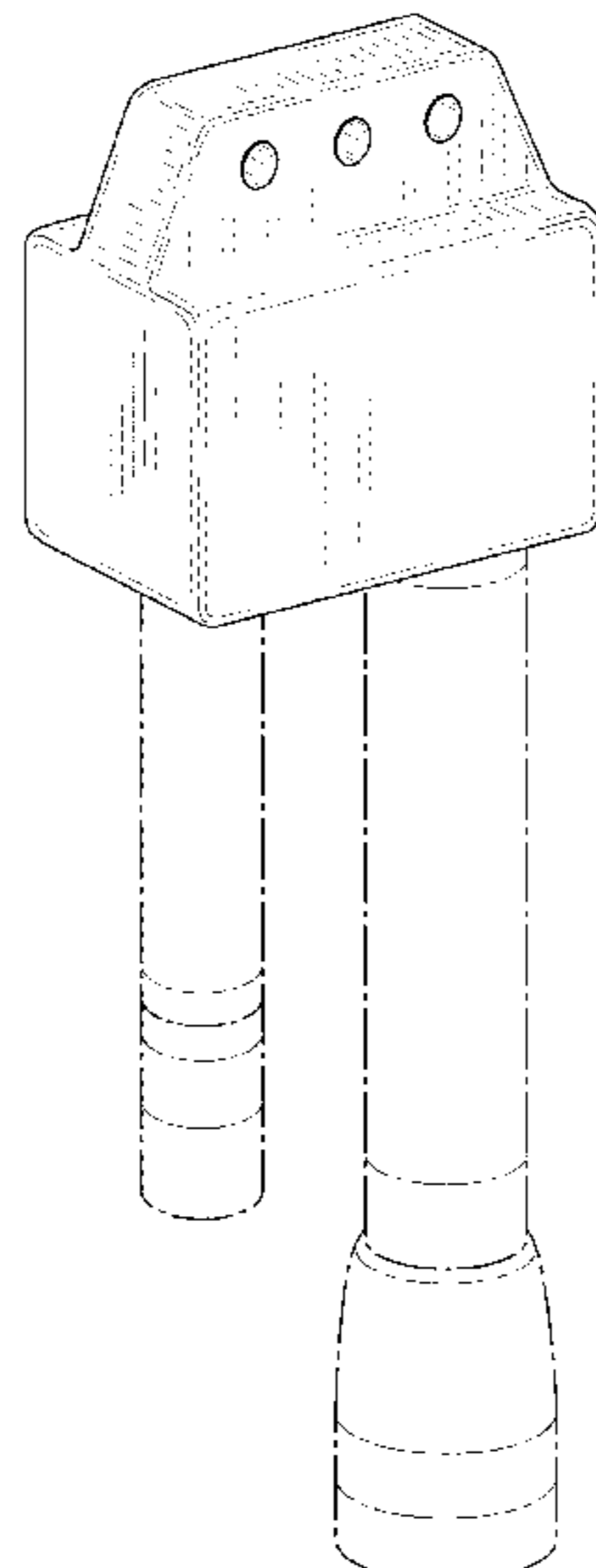
FIG. 4 shows an elevational top view of the dual flashlight holder of FIG. 1;

FIG. 5 shows an elevational bottom view of the dual flashlight holder of FIG. 1;

FIG. 6 shows an elevational bottom view of the dual flashlight holder of FIG. 1, with a section line added for the purpose of showing where a section goes through in the design; and,

FIG. 7 shows a cross sectional view of the dual flashlight holder of FIG. 1.

**1 Claim, 4 Drawing Sheets**



(56)

**References Cited**

U.S. PATENT DOCUMENTS

D386,828	S	*	11/1997	Pullman	.....	D28/64.3
D401,005	S	*	11/1998	Ludbrook	.....	D26/138
6,769,788	B1		8/2004	Kellough		
D501,989	S	*	2/2005	Cook	.....	D3/215
D539,456	S	*	3/2007	Sassoon	.....	D26/37
D542,632	S	*	5/2007	Hill	.....	D8/373
D550,957	S	*	9/2007	Erickson	.....	D3/229
D553,773	S	*	10/2007	Campbell	.....	D26/37
D696,096	S	*	12/2013	Daneman	.....	D8/349

\* cited by examiner

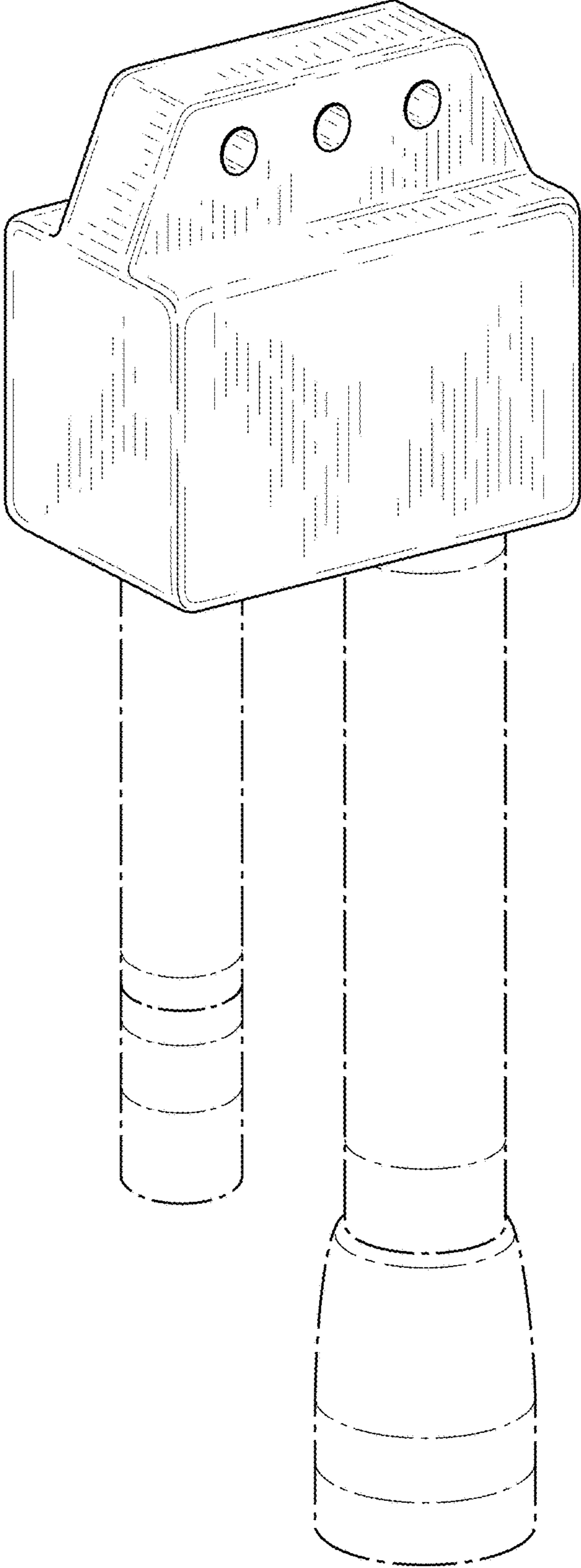


FIG. 1

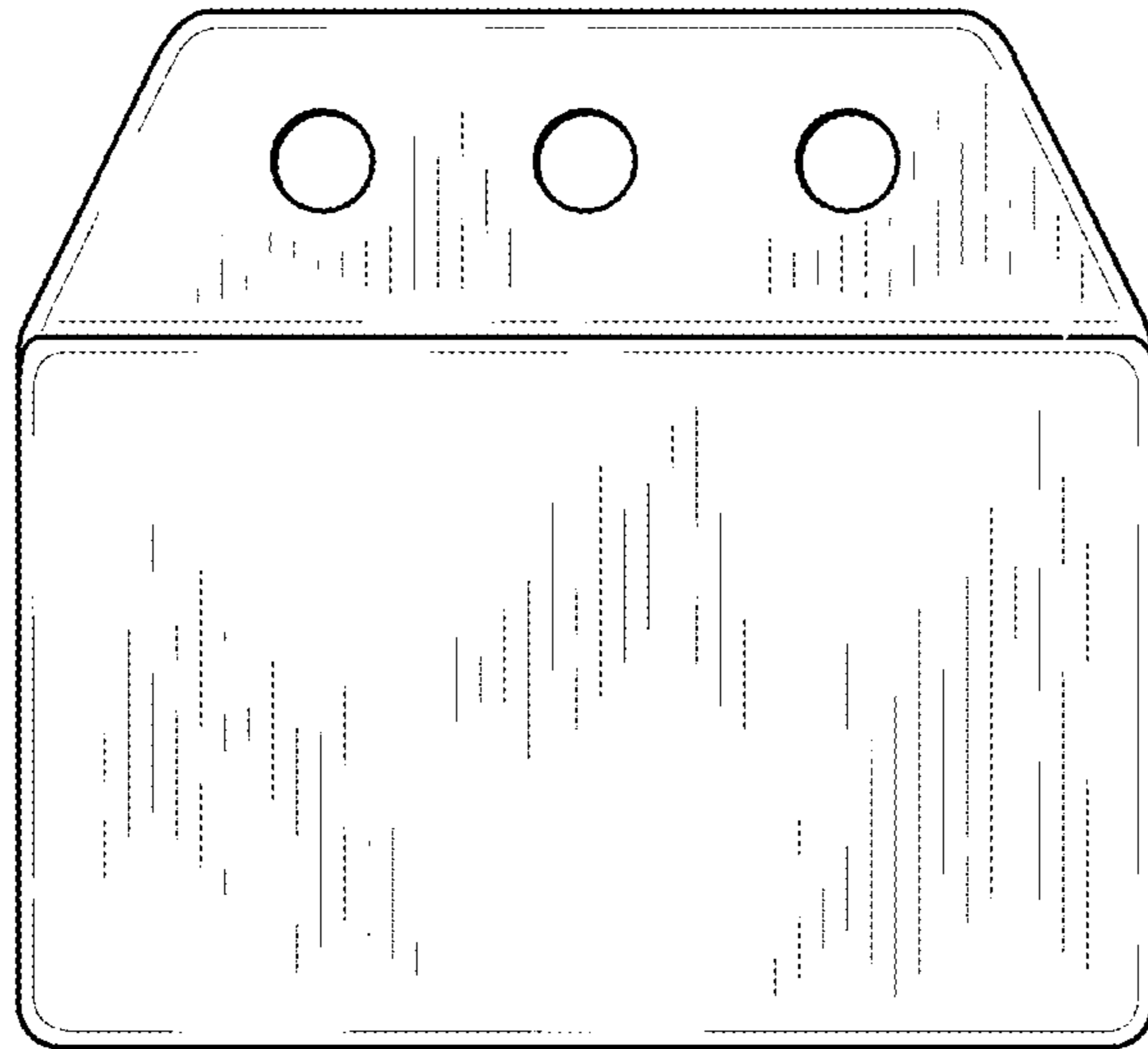


FIG. 2

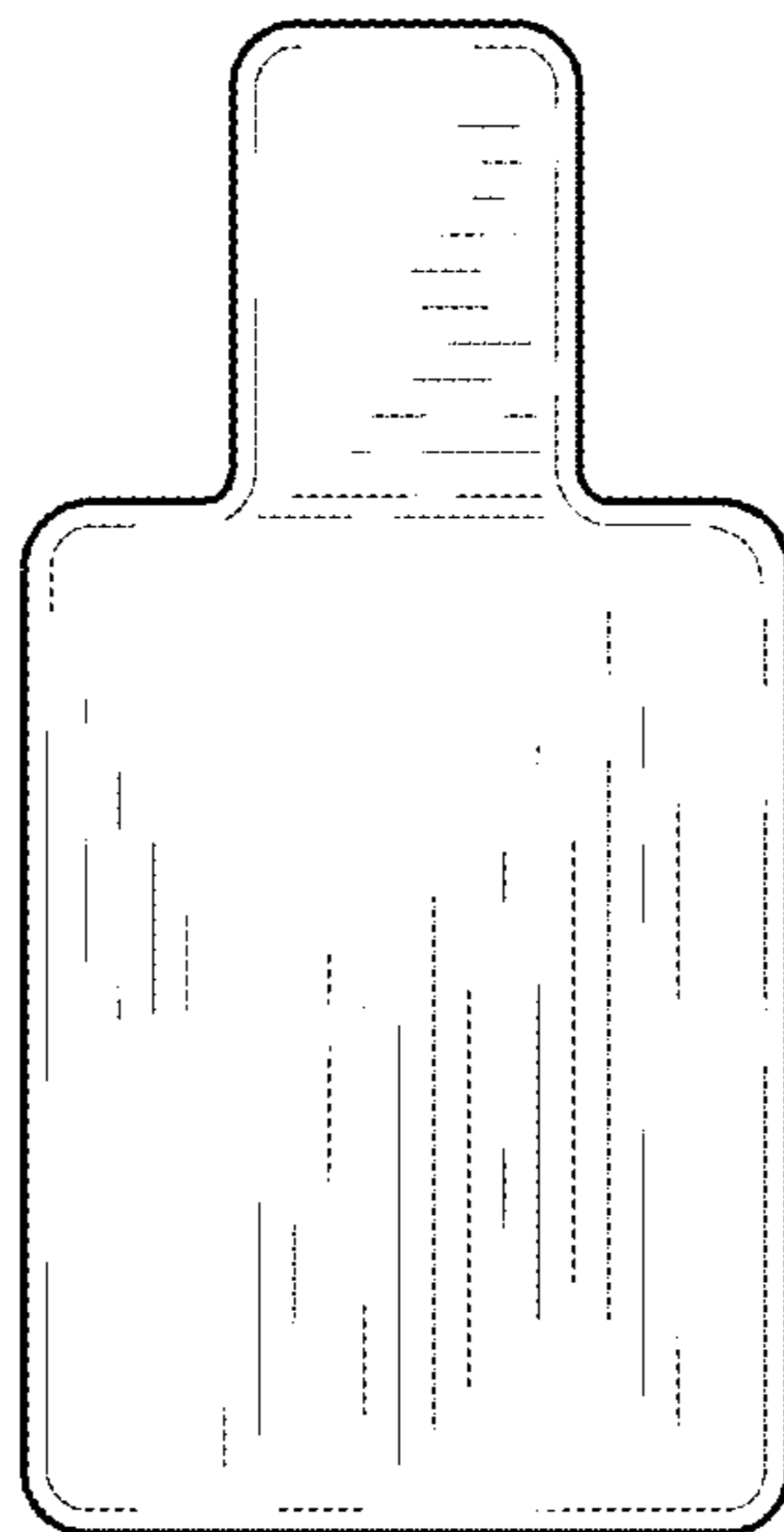


FIG. 3

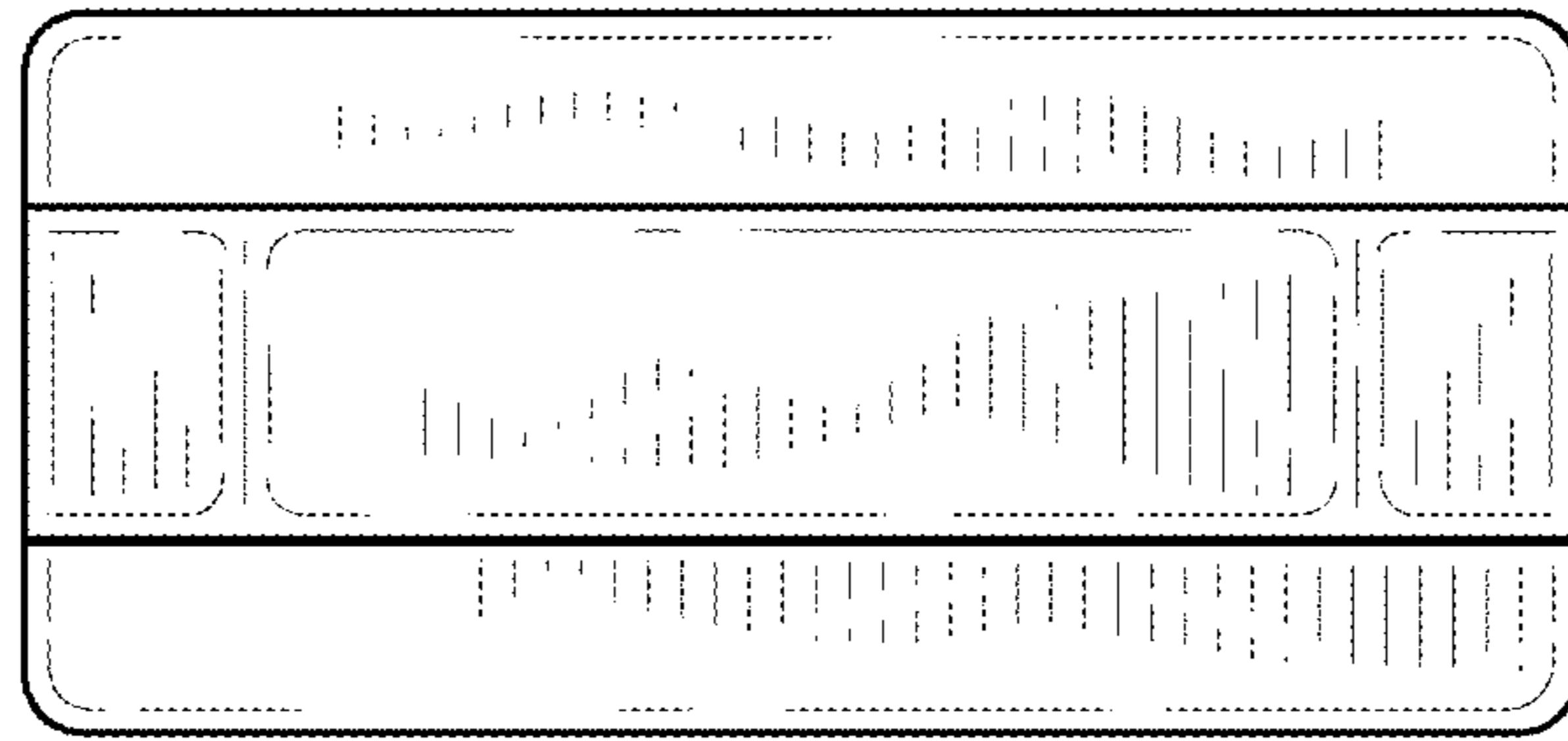


FIG. 4

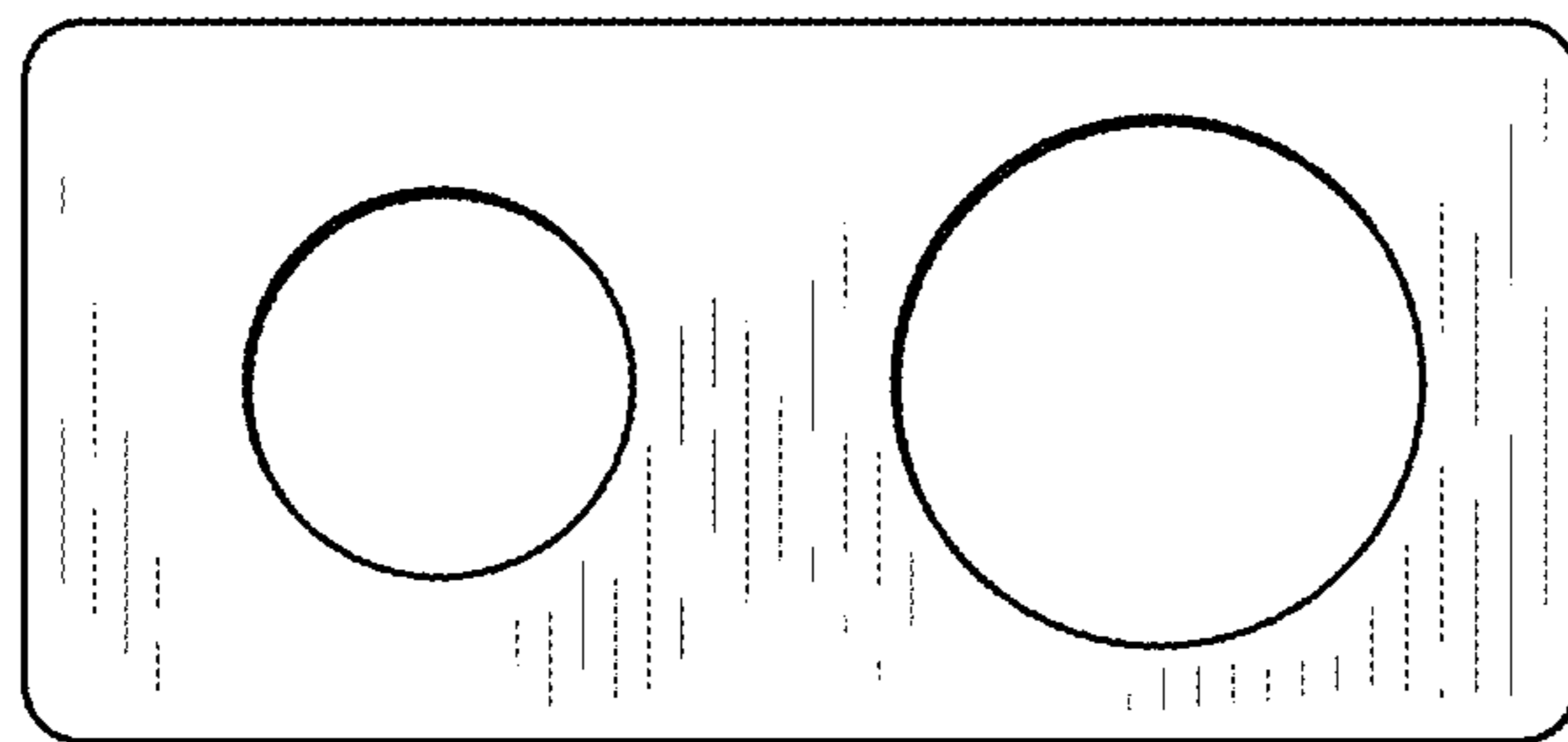


FIG. 5

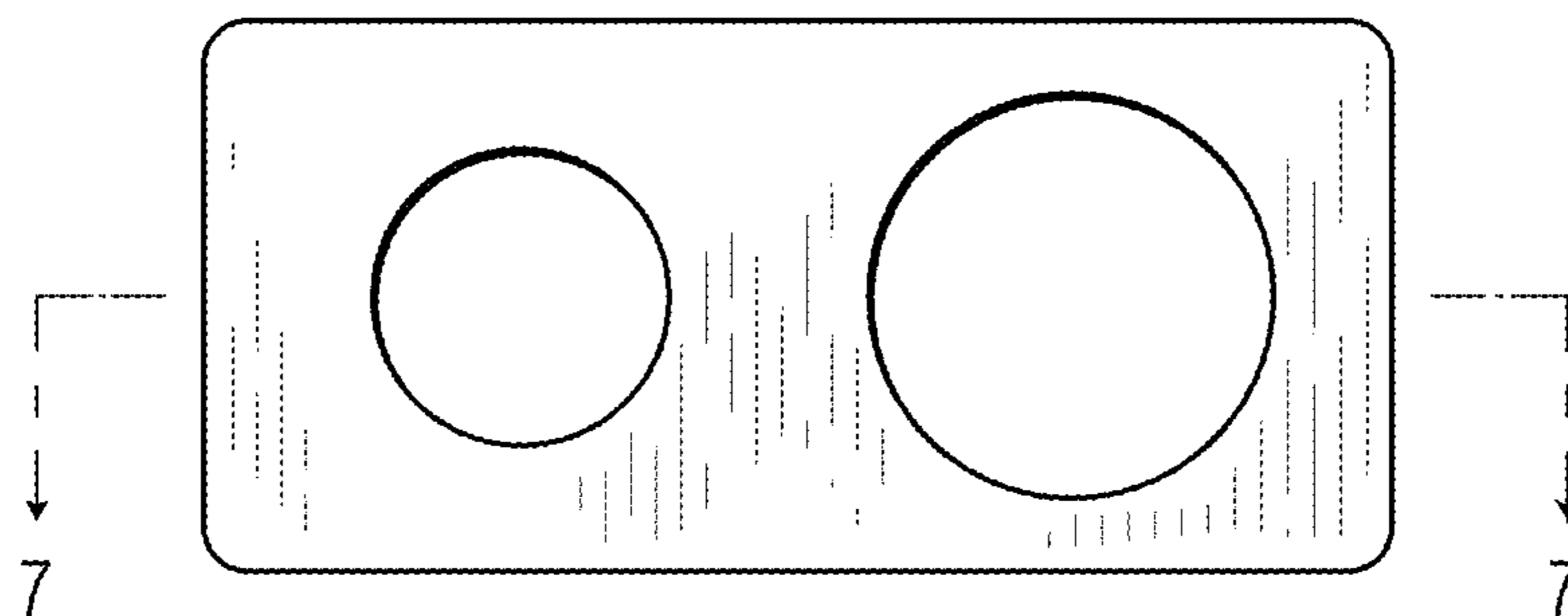


FIG. 6

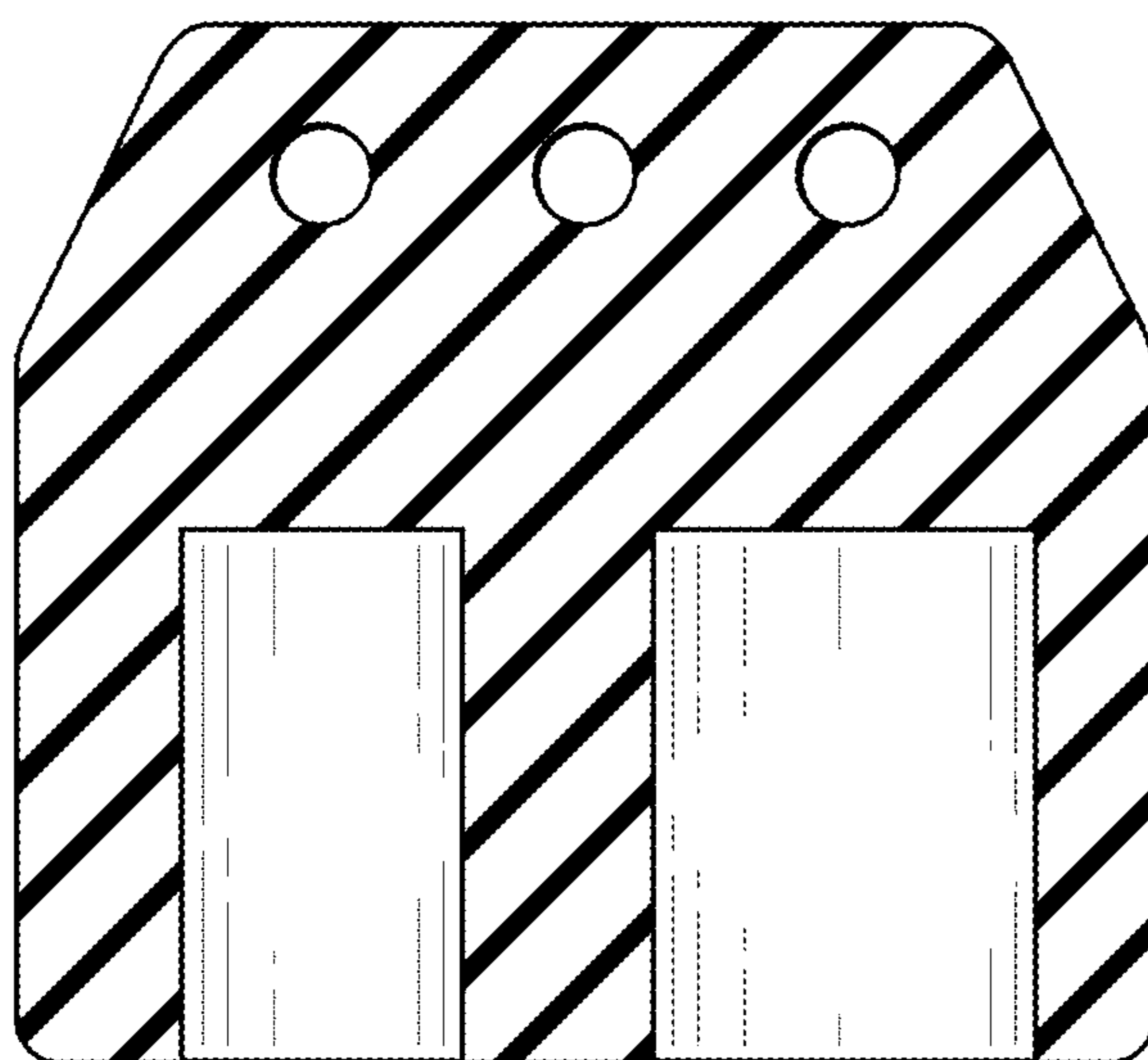


FIG. 7